

ABBREVIATIONS

A ACC AIR-DRILLED CONDENSER
ACD AUTOMATIC CONTROL DAMPER
ADV AIR DISTRIBUTION UNIT
ADY ACCESS DOOR
ADZ AIR FLOW CONTROL VALVE
AFV ABOVE FINISHED FLOOR
AFF AFFILIATE
AFL AIR FLOW LINE
ALB AIR LITHIUM BROMIDE
AMB AMERICAN NATIONAL STANDARDS INSTITUTE
AMP AMPERE
AMPC APPROXIMATE
APR AIR SEPARATOR
ATC AUTOMATIC TEMPERATURE CONTROL
ASME AMERICAN SOCIETY OF MECHANICAL ENGINEERS

D DRINK
DBL DRY BALL
DDB DUCT DAMPER
DDBS DISCHARGE
DDBS DISCHARGE
DDBS DISCHARGE
DDBS DISCHARGE

G GA GALLON
GAL GALLON
GALG GROUND GAS
GPH GALLON PER HOUR
GPM GALLON PER MINUTE

M MM MILLIMETER
MFM METERS PER FOOT
MFM METERS PER FOOT
MFM METERS PER FOOT
MFM METERS PER FOOT

R RA RETURN AIR DEVICE
RA RETURN AIR
RA RETURN AIR
RA RETURN AIR

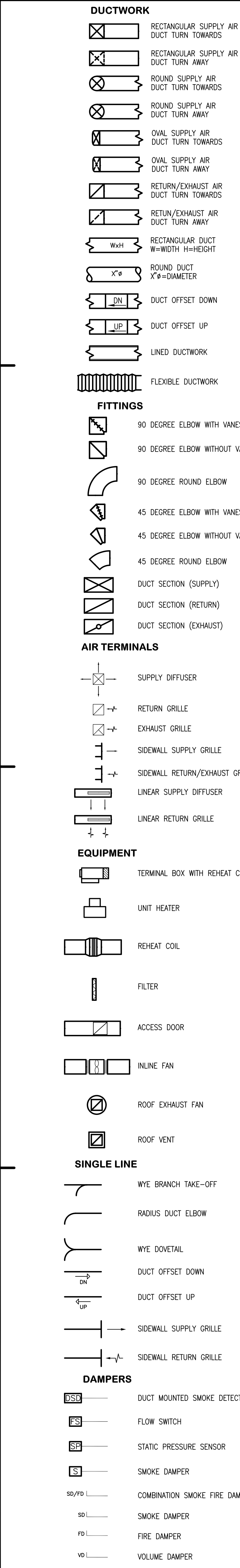
V VACUUM
VAC VACUUM
VAC VACUUM
VAC VACUUM

DRAWING LIST

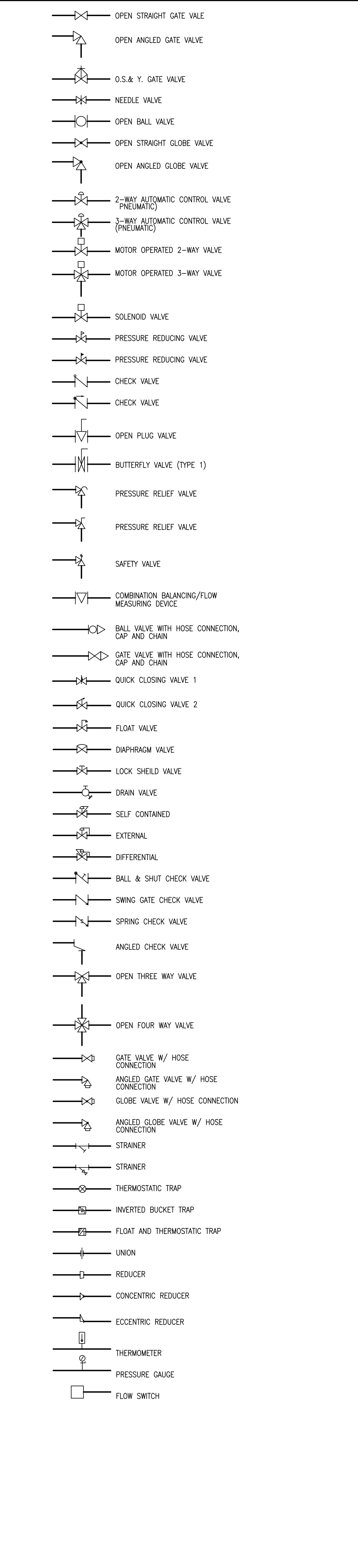
HVAC
H001 HVAC LEGEND
H020 HVAC BASEMENT LEVEL DEMOLITION AND NEW WORK
H021 HVAC ROOF PLAN
H600 HVAC TYPICAL DETAILS, SCHEMATIC AND SCHEDULES

General Notes:

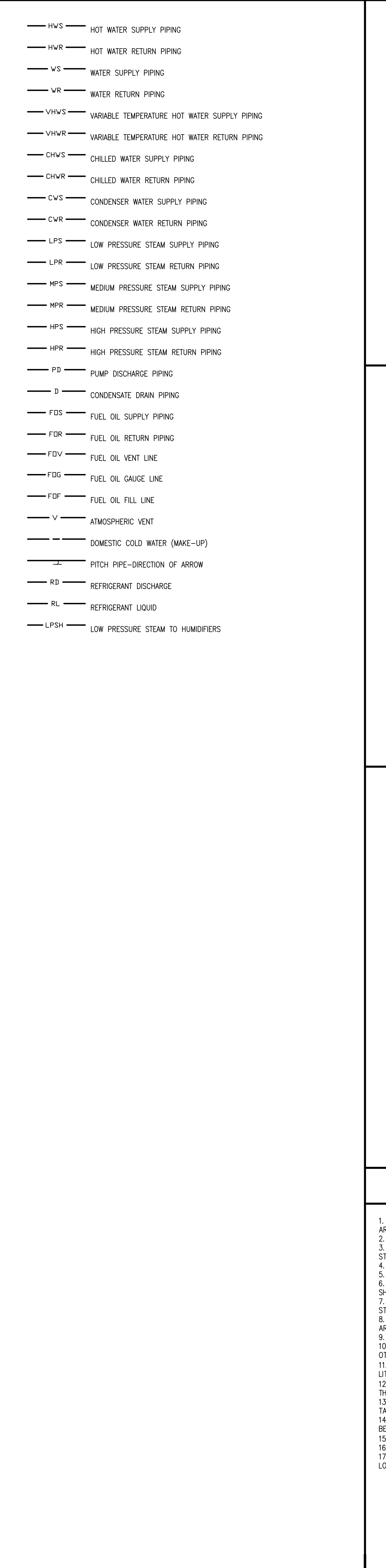
SHEET METAL LEGEND



PIPING SYMBOL LEGEND



PIPING LEGEND



SYMBOLS LEGEND

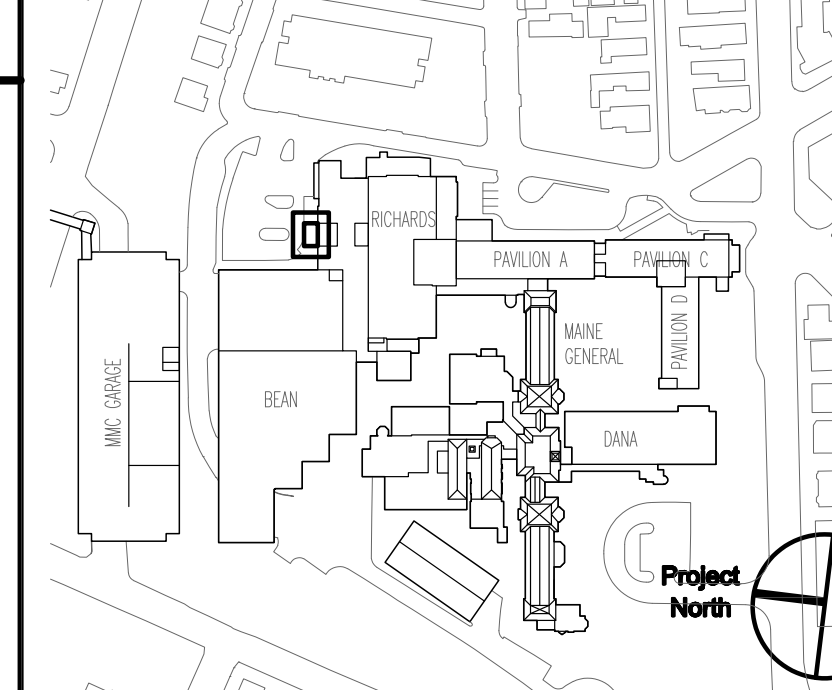


GENERAL NOTES

- 1. EXACT LOCATION OF CEILING DIFFUSERS, REGISTERS AND GRILLES TO BE DETERMINED BY ARCHITECTURAL REFLECTED CEILING PLAN.
- 2. DIMENSIONS SHOWN FOR ALL DUCTS ARE NET INSIDE DIMENSIONS.
- 3. COORDINATE ALL CEILING, WALL AND FLOOR PENETRATION WITH OPENING ON ARCHITECTURAL AND STRUCTURAL DRAWINGS.

Table with 3 columns: MARK, ISSUE DATE, DESCRIPTION. Contains empty rows for tracking issues.

Issue Log



Key Plan

TRO ARCHITECTURAL PLANNING ENGINEERING INTERIOR DESIGN logo and contact information.

Maine Medical Center ED Pediatric Exam Renovation Portland, Maine

HVAC LEGEND

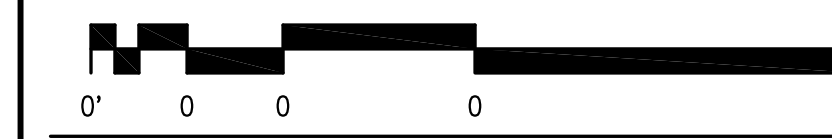


Table with 4 columns: Commission No., Date Issued, Sheet Number, and Project Name. Values include 4684, JUNE 22, 2004, H001, and ED Pediatric Exam Renovation.