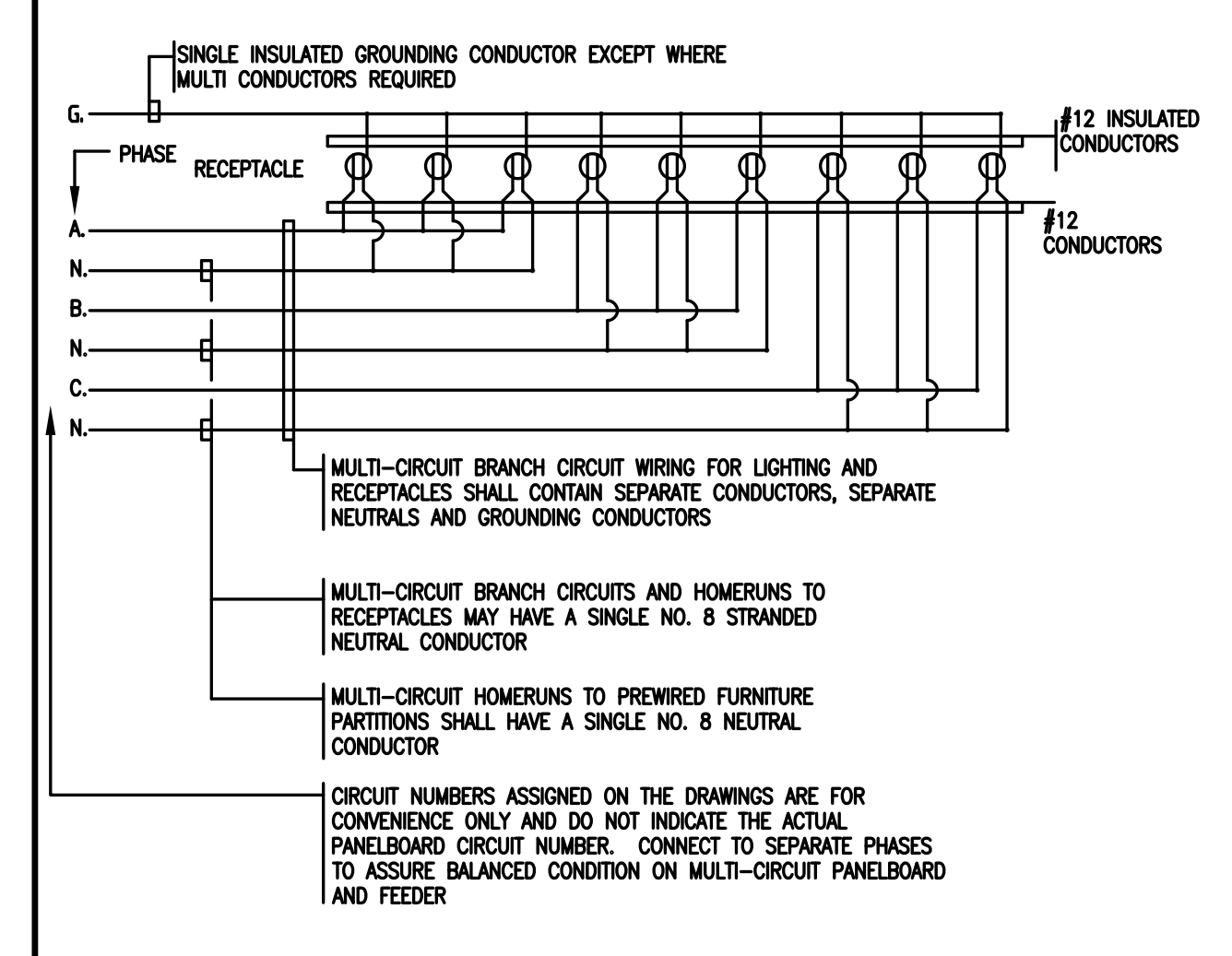
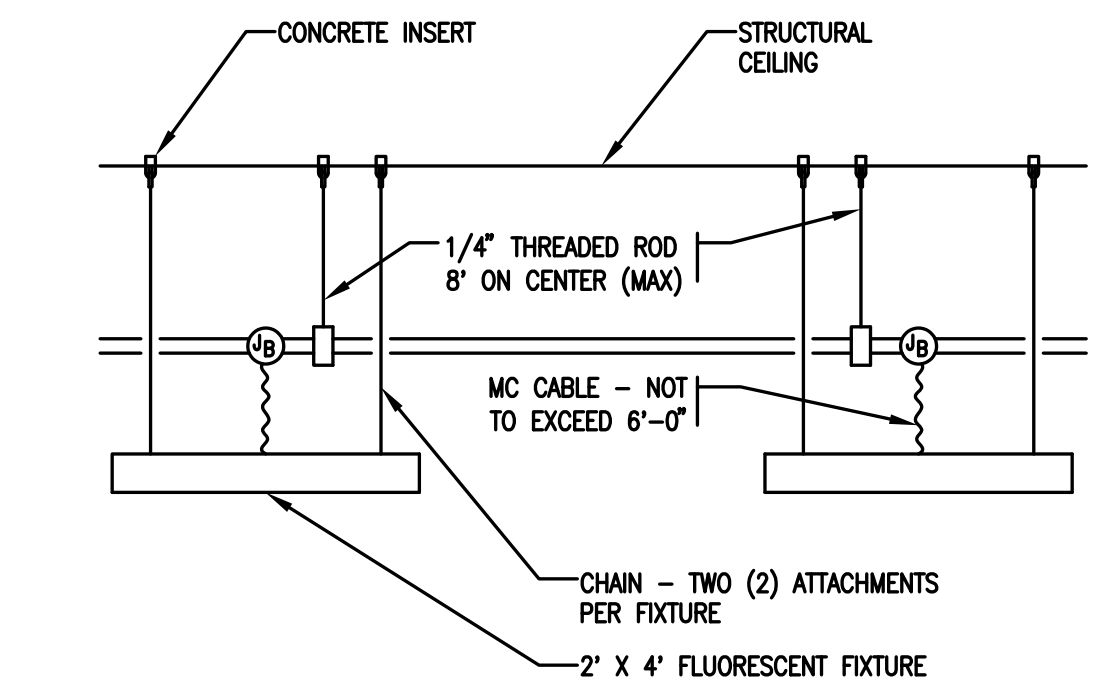


LIGHTING FIXTURE SCHEDULE													
FIX. TYPE	DESCRIPTION	LINE 1			LINE 2			LINE 3			REMARKS		
		MANUFACTURER	CAT. NUMBER	MANUFACTURER	CAT. NUMBER	MANUFACTURER	CAT. NUMBER	MOUNTING	NO.	WATTS			
F1A	2' FLUORESCENT UNDER CABINET FIXTURE W/SOLID FRONT	FAI-SAFE	MTS-17-277-1K12-TEB81	LITHONIA	N2S 17 277 GE810RS	ALCO	SFLNCS150-024/277CEB	SURFACE	1	17	F1778/835	277	LF1, LF3, LF4, LF7
F1C	4' FLUORESCENT UNDER CABINET FIXTURE W/SOLID FRONT	FAI-SAFE	MTS-32-277-1K12-TEB81	LITHONIA	N2S 32 277 GE810RS	ALCO	SFLNCS150-048/277CEB	SURFACE	1	32	F3278/835	277	LF1, LF3, LF4, LF7
FA1	2x2' FLUORESCENT DIRECT/INDIRECT ROUND PERFORATED CENTER BASKET	NEORAY	142-2-408X-W-G-277-TEB51	FOCAL POINT	FLU 22 B 28X40 S 277 G PS DC WH	COLUMBIA	STR22-2407G-MPO-EBITU277	RECESSED	2	40	F140W/2011/RS/835	277	LF1, LF2, LF4, LF7, LF8, LF15
FWG	3' DIRECT/INDIRECT PERFORATED METAL LINEAR WALL FIXTURE	NEORAY	201W/278/371/UNV	LITECONTROL	WA 55 2378 OHM ELB10 120/277	MARK	EC-W-2-F025W78-EB-UNV-3-IND	WALL	2	25	F2578/835	120/277	LF1, LF4, LF7, LF15, LF19
FWJ	4' DIRECT/INDIRECT PERFORATED METAL LINEAR WALL FIXTURE	NEORAY	201W/278/471/277	LITECONTROL	WA 55 2478 OHM ELB10 120/277	MARK	EC-W-2-F032W78-EB-UNV-4-IND	WALL	2	32	F3278/835	120/277	LF1, LF4, LF7, LF15, LF19
RDA	8' FLUORESCENT OPEN DOWNLIGHT (SINGLE LAMP VERTICAL)	PORTFOLIO	C7042-E-7451-LI-HB26	GOTHAM	AVV 1/42TRT BAR LD MVOULT GE810 BR24	PRESCOLITE	CF7842B-STR802-824	RECESSED	1	42	CF7842W/GC24/835	120/277	LF2, LF4, LF7, LF8
SS1	48" FLEXIBLE LIGHT STRIP DISPLAY LIGHTING WITH PROSTED ZENON LAMPS @ 4"O.C.	TWOLI	MC204824X/MC2200			LUCIFER	284-A-048-S-24-05-XF	SURFACE	11	5	24-10-XF	120	LF28

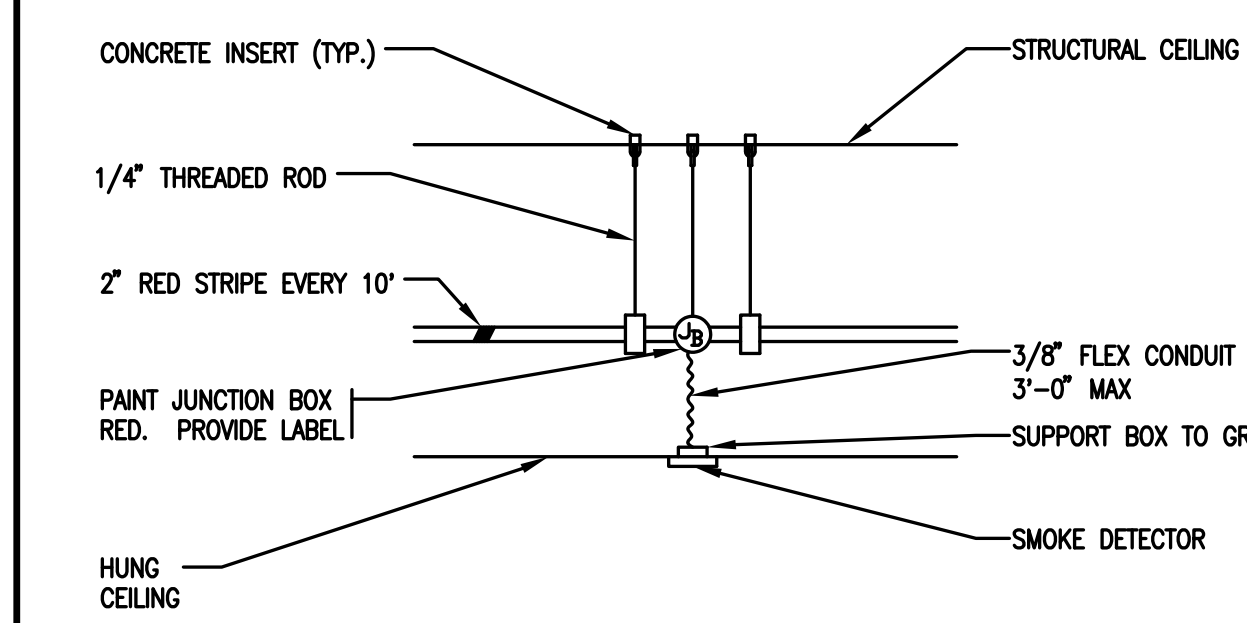
- LIGHTING FIXTURE SCHEDULE NOTES:
- LF1. MOUNTING/CEILING HEIGHT AS DIRECTED BY ARCHITECTS REFLECTED CEILING PLAN AND OR ARCHITECTURAL INTERIOR ELEVATIONS.
 - LF2. COORDINATE LIGHTING FIXTURE INSTALLATION AND TRIM KIT WITH CEILING TYPE INDICATED ON ARCHITECTURAL DRAWINGS. PROVIDE ANY NECESSARY MOUNTING HARDWARE TO ACCOMMODATE FIELD CONDITIONS.
 - LF3. COORDINATE TASK LIGHT FIXTURES TO BE EQUIPPED WITH CASEWORK AS DETAILED ON ARCHITECTURAL INTERIOR ELEVATIONS.
 - LF4. ALL FLUORESCENT LIGHT FIXTURES TO BE EQUIPPED WITH ELECTRONIC BALLASTS, UNLESS OTHERWISE NOTED. REFER TO SPECIFICATIONS.
 - LF5. NUMBER OF FACES, DIRECTIONAL ARROWS, AND MOUNTING AS INDICATED ON FLOOR PLANS.
 - LF6. PROVIDE REQUIRED NUMBER OF BALLASTS TO ACCOMMODATE LIGHTING FIXTURES WITH MULTI LEVEL SWITCHING AS INDICATED ON FLOOR PLANS.
 - LF7. CATALOG NUMBERS ARE LISTED IN THE SPECIFICATIONS. CONTRACTOR IS RESPONSIBLE FOR FINAL FIXTURE COORDINATION AND INSTALLATION.
 - LF8. COMPACT FLUORESCENT BALLASTS SHALL BE PROVIDED WITH FAULT LIMITER CIRCUITS.
 - LF9. PROVIDE RADIO FREQUENCY INTERFERENCE (RFI) FILTER.
 - LF10. PROVIDE 20 FT. POLE, AS SPECIFIED.
 - LF11. REFER TO CIVIL AND LANDSCAPE SITE PLANS FOR FINAL POLE/FIXTURE LOCATIONS.
 - LF12. U.L. WET LOCATION LISTED.
 - LF13. COORDINATE FIXTURE DEPTH WITH WALL THICKNESS.
 - LF14. PROVIDE RADIO FREQUENCY INTERFERENCE (RFI) SHIELDING.
 - LF15. PROVIDE ACRYLIC OVERLAY ABOVE PERFORATED BODY.
 - LF16. REFER TO SPECIFICATIONS FOR DIMMING BALLAST REQUIREMENTS.
 - LF17. FINAL FINISH OF FIXTURE TO BE APPROVED IN WRITING BY ARCHITECT AND LIGHTING DESIGNER.
 - LF18. PROVIDE 15 FT. POLE, AS SPECIFIED.
 - LF19. FOR PERIMETER LIGHTING SYSTEMS, CONTRACTOR IS RESPONSIBLE FOR ORDERING LENGTHS, CORNERS, EXTENSIONS, END CAPS, ETC. REQUIRED TO MAXIMIZE EXTENT OF LIGHTED COVE FOR A COMPLETE SYSTEM. REFER TO PLANS FOR RUN LENGTH.
 - LF20. PROVIDE DUST COVER.
 - LF21. PROVIDE 25 FT. POLE, AS SPECIFIED.
 - LF22. PROVIDE PULSE START HIGH REACTANCE AUTOTRANSFORMER BALLAST. REFER TO SPECIFICATIONS.
 - LF23. FACTORY INSTALLED RELAY, LAMP AND SOCKET FOR IMMEDIATE ILLUMINATION FOR MOMENTARY LOSS OF POWER. QUARTZ LAMP REMAINS ON UNTIL METAL HALIDE LAMP RESTRICKS.
 - LF24. SUBSTITUTION SHALL NOT BE ACCEPTED FOR SPECIFIED FIXTURE.
 - LF25. FIXTURE SHALL BE COORDINATED WITH HVAC CONTRACTOR AND REFLECTED CEILING TO DETERMINE TYPE OF MOUNTING.
 - LF26. PROVIDE WITH CLASS #1 ELECTRONIC TRANSFORMER.



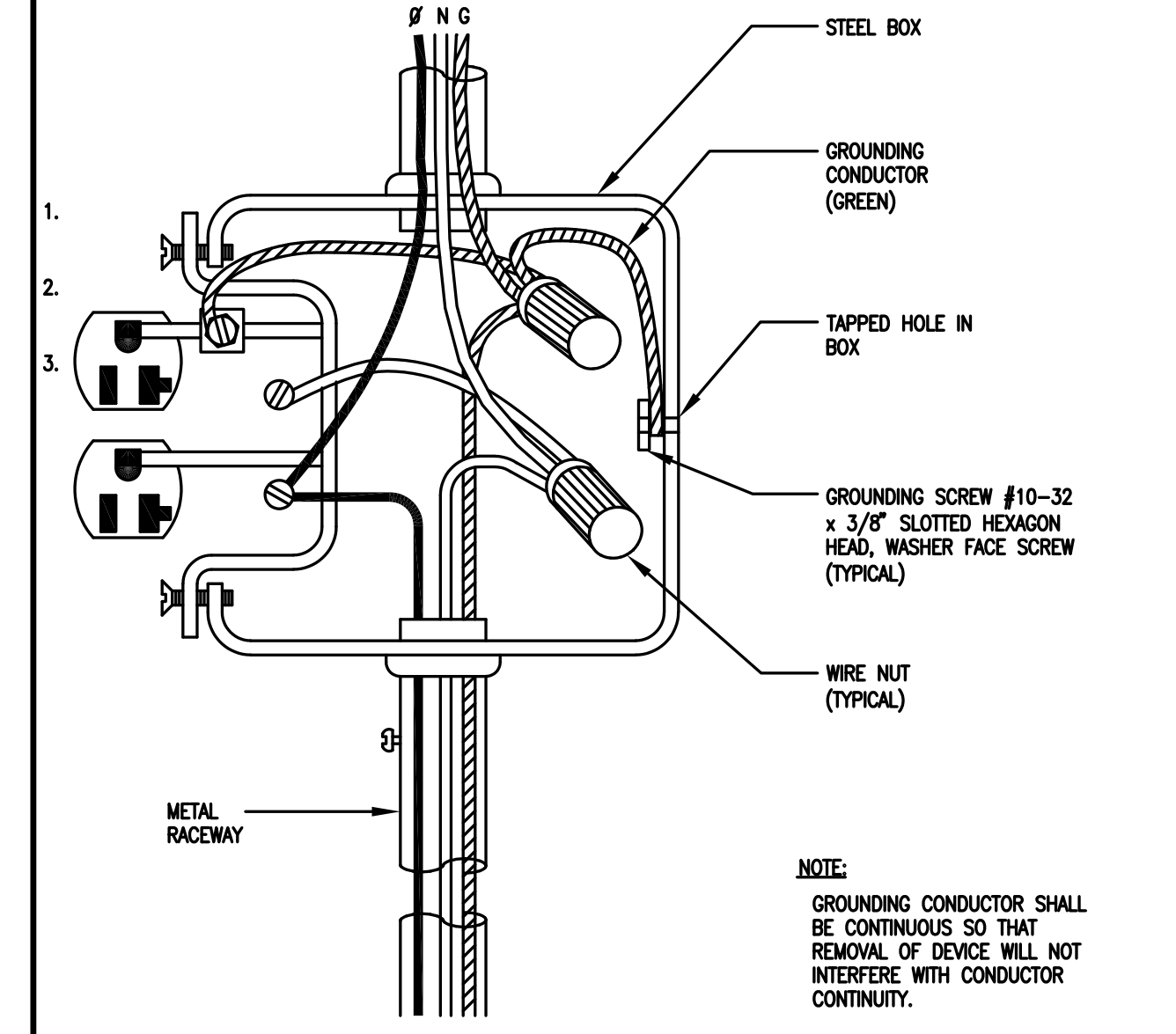
4 TYPICAL BRANCH CIRCUIT WIRING REQUIREMENTS LIGHTING AND RECEPTACLES
SCALE: N.T.S.



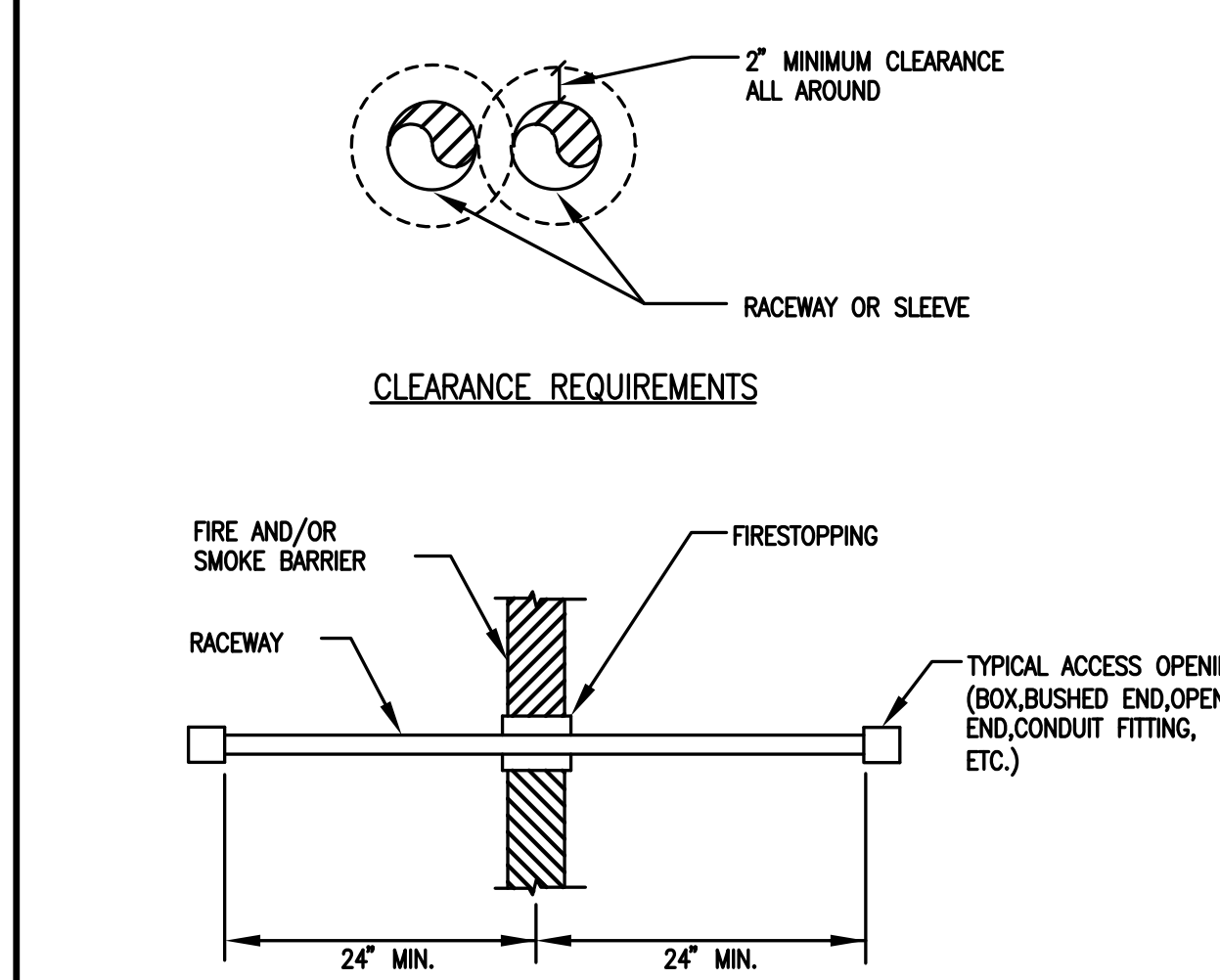
5 LIGHTING FIXTURE DETAIL
SCALE: N.T.S.



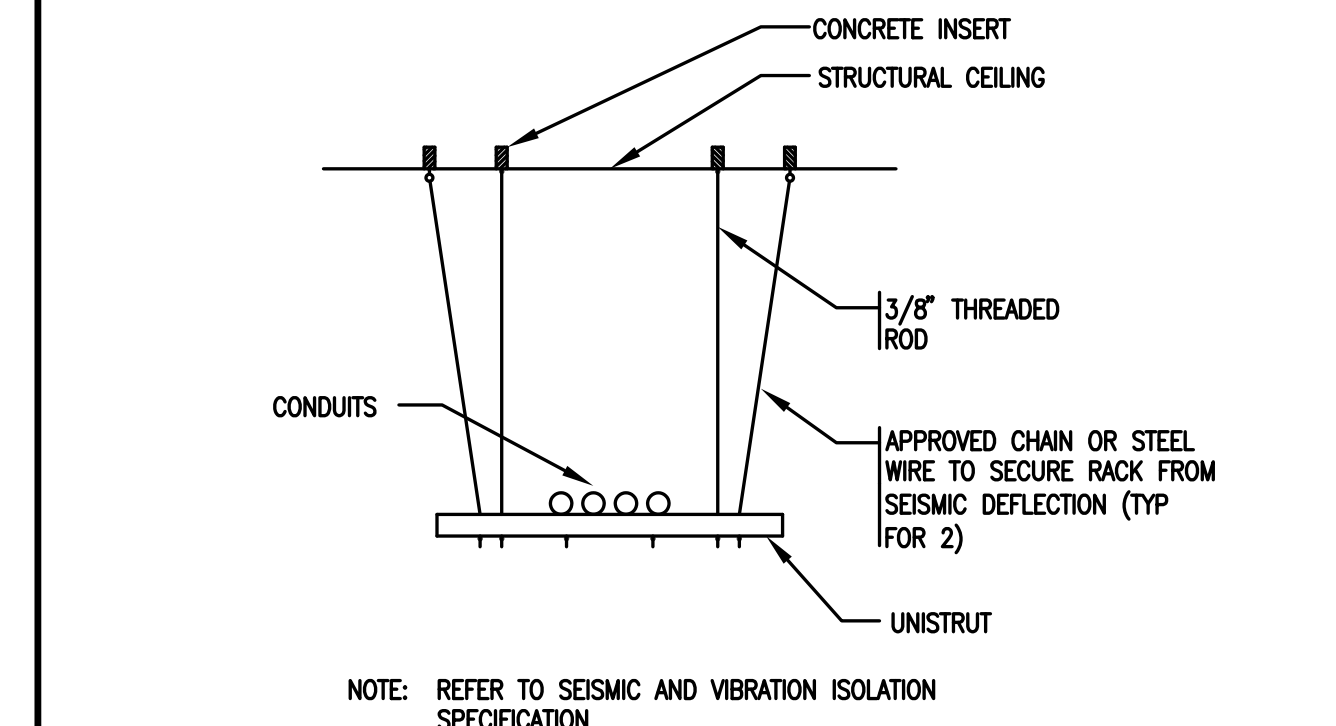
1 SMOKE DETECTOR DETAIL
SCALE: N.T.S.



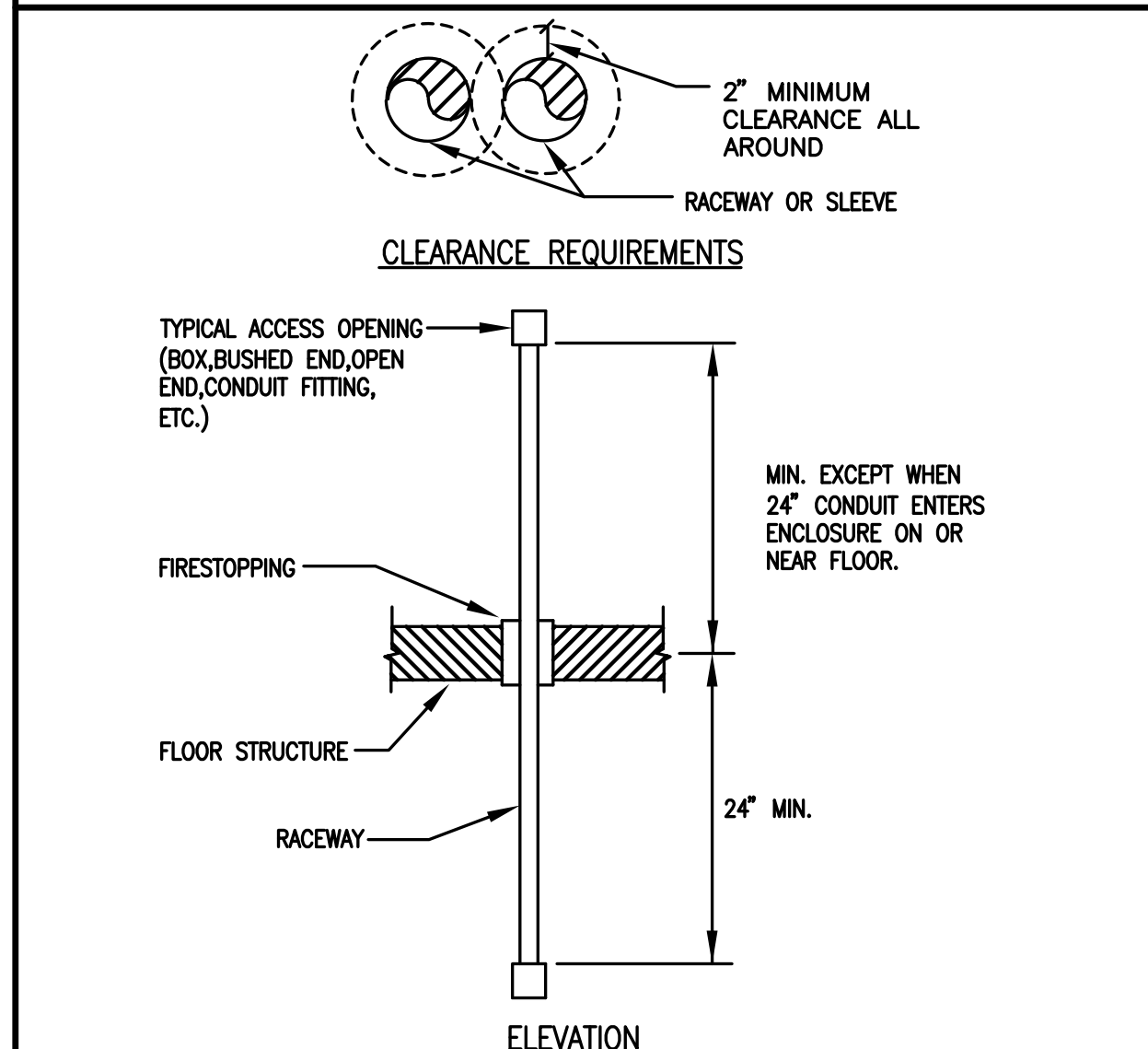
6 RECEPTACLE GROUNDING DETAIL
SCALE: N.T.S.



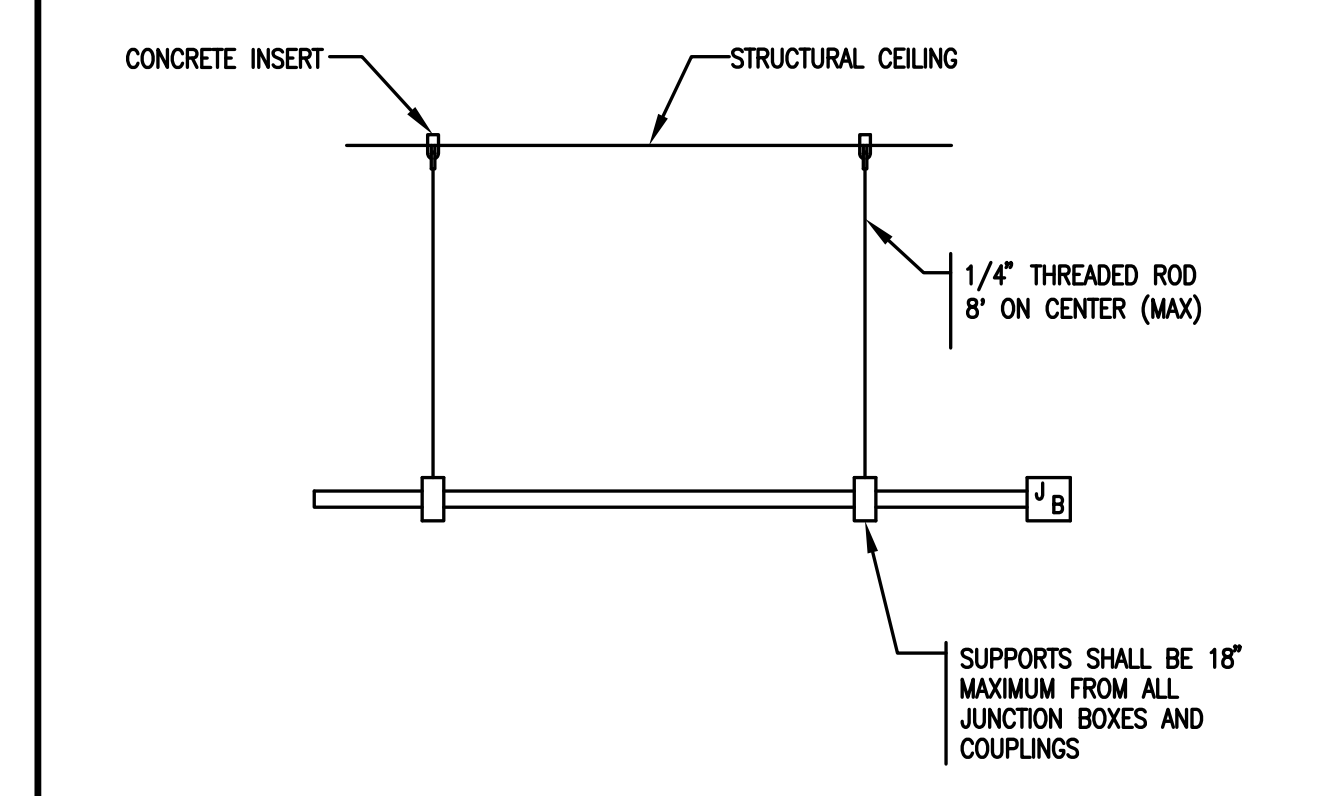
2 PENETRATION THROUGH VERTICAL FIRE AND SMOKE BARRIER DETAIL
SCALE: N.T.S.



7 CONDUIT RACKING DETAIL
SCALE: N.T.S.



3 PENETRATION THROUGH HORIZONTAL FIRE BARRIER DETAIL
SCALE: N.T.S.

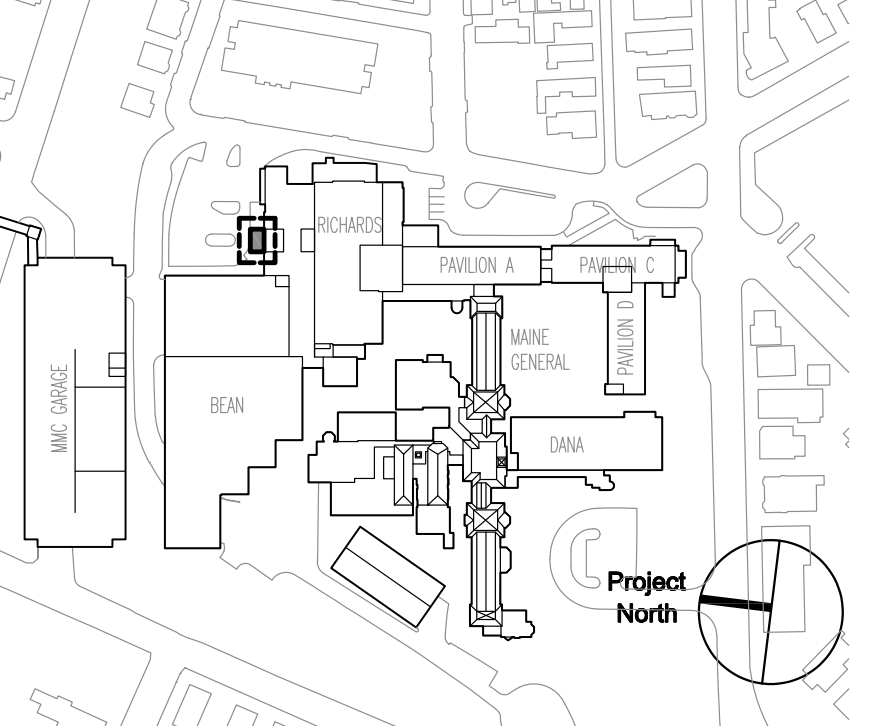


8 CONDUIT MOUNTED DETAIL
SCALE: N.T.S.

General Notes:

MARK	ISSUE DATE	DESCRIPTION

Issue Log

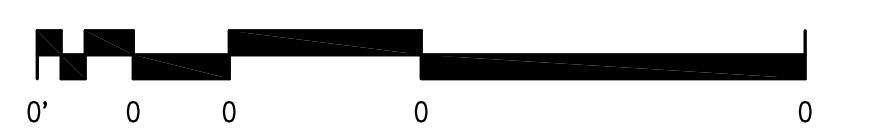


Key Plan

TRO
ARCHITECTURE
PLANNING
ENGINEERING
INTERIOR DESIGN
The Ritchie Organization
80 Bridge Street
Newton, MA 02459-1154
617-869-9400

Maine Medical Center
ED Pediatric Exam Renovation
Portland, Maine

Drawing Title
ELECTRICAL SCHEDULES AND DETAILS



Commission No.	4684	Date Issued	JUNE 22, 2004
Scale	NONE	Sheet Number	
Drawn By	K.G.		
Approved By	D.S.		
Filename	4684E300		

E700