

ABBREVIATIONS

Table of abbreviations for electrical symbols and components, including A (Amperes), B (Building Automation System), C (Conduit), D (Demand), E (Emergency), F (Flush), G (Ground), H (Handhole), I (Interrupting Capacity), J (Junction Box), K (Kilowatt), L (Lighting), M (Max), N (Not Available), O (Overcurrent Protection), P (Potential Transformer), R (Rebar), S (Surface), T (Telephone), U (Underground), V (Volt), W (Weatherproof), X (X-Ray), Y (Wire).

DRAWING NOTES AND DESIGNATIONS

Table of drawing notes and designations, including key notes, equipment designations, room numbers, feeder and/or branch circuit number, revision notation, and demolition legend.

DRAWING LIST

Table of drawing list including ELECTRICAL, E001 ELECTRICAL LEGEND, GENERAL NOTES AND ABBREVIATIONS, E208 ELECTRICAL BASEMENT LIGHTING PLANS, E308 ELECTRICAL BASEMENT POWER AND SIGNAL PLANS, and E700 ELECTRICAL SCHEDULES AND DETAILS.

GENERAL NOTES:

- 1. THIS IS A STANDARD SYMBOL LIST. ALL DEVICE SYMBOLS AND ABBREVIATIONS MAY NOT NECESSARILY APPEAR ON THE FLOOR PLANS OR DETAIL SHEET. ONLY THOSE SYMBOLS INDICATED ON THE FLOOR PLANS ARE USED AND OTHERS SHOULD BE DISREGARDED.
2. MOUNTING HEIGHTS SHALL BE AS INDICATED ON MOUNTING HEIGHT DETAIL (E001)
3. CONTRACTOR SHALL VERIFY ALL DOOR SWINGS BEFORE INSTALLING SWITCH BOXES.
4. FOR EXACT LOCATION OF LIGHTING FIXTURES SEE REFLECTED CEILING PLAN DRAWINGS.
5. FOR MOUNTING HEIGHT OF UNDER-COUNTER LIGHTING FIXTURES AND OTHER TASK LIGHTING, REFER TO ARCHITECTURAL DRAWINGS.
6. ELECTRICAL CONTRACTOR IS TO COORDINATE THE EXACT LOCATION OF LIGHTING FIXTURES IN MECHANICAL AND STORAGE AREAS WITH OTHER TRADES.
7. FOR EXACT LOCATION AND RATING OF MECHANICAL EQUIPMENT (AC UNITS, FANS, PUMPS, ETC.) REFER TO RESPECTIVE TRADES DRAWINGS.
8. THE ELECTRICAL CONTRACTOR SHALL PROVIDE EXPANSION FITTINGS IN ALL RACEWAYS CROSSING CONSTRUCTION OR EXPANSION JOINTS.
9. ALL WIRE SHALL BE 80% RATED COPPER. WIRE SIZE #14 THRU #10 SHALL BE DUAL RATED TYPE THIN/THIN, #10 AND LARGER SHALL BE TYPE THIN/THIN OR 2XHW. WIRE SIZE #14 THRU #10 SHALL BE SOLID, #8 AND LARGER SHALL BE STRANDED. ALL POWER WIRING FOR MECHANICAL EQUIPMENT SHALL BE A MINIMUM OF THREE (3) #10's. ALL CONTROL WIRING SHALL BE A MINIMUM OF TWO (2) #14's. ALL HOME RUNS IN EXCESS OF 100 FEET FROM SOURCE SHALL BE A MINIMUM OF THREE (3) #10's. ALL OTHER WIRING SHALL BE A MINIMUM OF THREE (3) #12's.
10. ALL CURRENT CARRYING MATERIAL USED SHALL BE COPPER, INCLUDING PANELBOARD BUS MATERIALS AND TRANSFORMER WINDINGS.
11. FURNISH GROUNDING/BONDING BUSHINGS ONTO ALL CONDUIT ENTERING/LEAVING BOXES.
12. ALL GROUND CONDUCTORS SHALL BE GREEN, ISOLATED GROUND CONDUCTORS SHALL BE GREEN/YELLOW STRIPED, AND NEUTRAL CONDUCTORS SHALL BE WHITE.
13. CONTRACTOR SHALL PROVIDE ALL DEVICES, CONDUIT, WIRE, AND LABOR AS REQUIRED BY THE FIRE ALARM MANUFACTURER TO PROPERLY CONNECT THE DEVICES INDICATED ON THE DRAWINGS. ALL DEVICES SHALL BE OF SAME MANUFACTURER AND OF THE SAME TYPE TO THAT OF THE EXISTING FIRE ALARM SYSTEM.

ELECTRICAL LEGEND

Table of electrical legend symbols and descriptions, including CONVENIENCE OUTLET (HOSPITAL GRADE), MISCELLANEOUS (LIGHTING AND/OR POWER PANELBOARD, JUNCTION BOX, LOCAL GAS ALARM PANEL CONNECTION, etc.), and CONDUIT BUS (HOMERUN TO PANELBOARD 'L' SHAPED CIRCUIT NO'S 1 AND 2 SLASH LINES, etc.).

LIGHTING FIXTURE AND OUTLET BOX - REFER TO LIGHTING SCHEDULE

Table of lighting fixture and outlet box symbols and descriptions, including STANDARD LIGHTING FIXTURE DESIGNATION, FLOURESCENT LIGHTING FIXTURE, FLOURESCENT LIGHTING FIXTURE (EMERGENCY LIFE SAFETY CIRCUIT), RECESSED LIGHTING FIXTURE (NORMAL CIRCUIT), etc.

TUMBLER SWITCHES

Table of tumbler switch symbols and descriptions, including 20 AMPERE 120/277 VOLT, SINGLE POLE SWITCH - LETTER INDICATES SWITCHING ARRANGEMENT, 20 AMPERE 120/277 VOLT, TWO POLE SWITCH - LETTER INDICATES SWITCHING ARRANGEMENT, etc.

NURSE CALL SYSTEM

Table of nurse call system symbols and descriptions, including SINGLE BED STATION WITH WALL SPEAKER AND PATIENT CONTROL UNIT, SINGLE BED STATION WITH WALL SPEAKER AND SINGLE ACTION PUSH BUTTON CORD SET, DUAL BEDSIDE STATION WITH WALL SPEAKER AND TWO PATIENT CONTROL UNITS, etc.

COMMUNICATIONS

Table of communications symbols and descriptions, including TELEPHONE OUTLET DEVICE (WALL MOUNTED) - PROVIDE 3/4" C. TO ABOVE HUNG CEILING, TELEPHONE OUTLET DEVICE (PUBLIC) - PROVIDE 3/4" C. TO ABOVE HUNG CEILING, etc.

FIRE ALARM SYSTEM

Table of fire alarm system symbols and descriptions, including MANUAL PULL STATION, FIRE ALARM SIGNALS (AUDIBLE AND VISUAL), FIRE ALARM SIGNAL (VISUAL ONLY), FIRE ALARM SIGNALS (AUDIBLE AND VISUAL) - 30 CANDELA, etc.

PHYSIOLOGICAL MONITORING

Table of physiological monitoring symbols and descriptions, including PHYSIOLOGICAL MONITORING SYSTEM PATIENT STATION, PHYSIOLOGICAL MONITORING SYSTEM MASTER STATION, PHYSIOLOGICAL MONITORING SYSTEM CENTRAL PROCESSING UNIT, etc.

MASTER CLOCK

Table of master clock symbols and descriptions, including CLOCK OUTLET (WALL MOUNTED), CLOCK OUTLET (CEILING MOUNTED), ELAPSED TIMER, etc.

SECURITY SYSTEM

Table of security system symbols and descriptions, including EMERGENCY PUSHBUTTON, 4" SQUARE BOX WITH SINGLE-GANG PASTER RING, DOOR RELEASE PUSHBUTTON, CONTROL MODULE - HVAC DUCT DAMPER, etc.

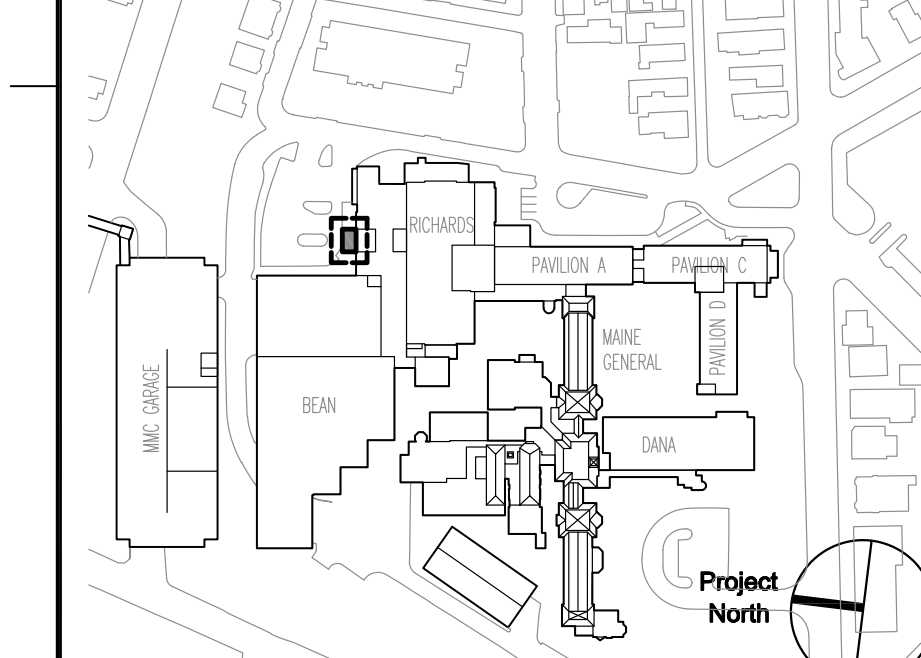
ONE LINE DIAGRAM SYMBOLS

Table of one line diagram symbols and descriptions, including MEDIUM VOLTAGE INTERRUPTOR SWITCH, FUSE, MEDIUM VOLTAGE CABLE TERMINATION, TRANSFORMER, etc.

DEMOLITION NOTES:

- 1. REFER TO SPECIFICATION SECTION 02700 - SELECTIVE DEMOLITION, FOR ADDITIONAL DEMOLITION CRITERIA.
2. GENERALLY, IN AREAS SCHEDULED FOR DEMOLITION AND REMODELING, REMOVE ALL ELECTRICAL DEVICES SUCH AS LIGHTING FIXTURES, WIRING DEVICES, TELEPHONE BOXES, SPEAKERS, FIRE ALARM DEVICES, TELEVISION OUTLETS, DISCONNECT MOTORS, ETC. THAT ARE LOCATED ON EXISTING WALLS OR PARTITIONS WHICH ARE TO BE DEMOLISHED. REMOVE EXPOSED PORTIONS OF THE BRANCH AND SIGNAL CIRCUIT WIRING AND CONDUITS AND BE RESPONSIBLE FOR MAINTAINING THE CONTINUITY OF EXISTING CIRCUITS FEEDING DEVICES THAT ARE TO REMAIN. MAINTAIN THE CONTINUITY OF EXISTING CIRCUITS SERVING OTHER SPACES BUT PASSING THROUGH THE AREA OF DEMOLITION.
3. IN SUCH CASES WHERE EXISTING WALLS ARE TO REMAIN, EXPOSED RACKINGS, SURFACE AND RECESSED OUTLET BOXES, ETC. WHICH ARE NOT TO BE REUSED SHALL BE COMPLETELY REMOVED. IN SUCH CASES, WHERE NEW CONDUITS AND OUTLETS ARE TO BE INSTALLED IN EXISTING WALLS, IN FURNISHED ROOMS, THEY SHALL BE CONCEALED BY CUTTING AND PATCHING THE WALLS FOR THE CONDUITS AND OUTLET BOXES UNLESS NOTED OTHERWISE.
4. CONDUITS OR SLEEVES, THAT ARE NO LONGER REQUIRED, WHICH ARE PENETRATING THROUGH THE FLOOR SLAB, SHALL BE CUT BACK AND CAPPED. ALL FEEDERS TO BE REMOVED BACK TO PANELBOARD.
5. ELECTRICAL EQUIPMENT REMOVED SHALL BE STOCKPILED FOR FUTURE RE-USE. IN THE EVENT EXISTING DEVICES ARE NOT RE-USED THEY SHALL BE RETURNED TO OWNER OR DISCARDED PER OWNER DIRECTIVE.
6. REMOVE TELEPHONE AND DATA CABLES BACK TO CLOSET OF ORIGINATOR. THE ELECTRICAL CONTRACTOR SHALL COORDINATE WITH THE HOSPITAL'S TELECOMMUNICATION DEPARTMENTS FOR THE DISCONNECTION AND REMOVAL OF LOW TENSION DEVICES.
7. ELECTRICAL CONTRACTOR SHALL MAINTAIN THE INTEGRITY OF EXISTING SYSTEM CIRCUITS FOR FIRE ALARM, POWER AND TELE COMMUNICATIONS, ETC. DURING DEMOLITION.
8. THE ELECTRICAL CONTRACTOR SHALL REMOVE ALL ABANDONED WIRING/CABLING NO LONGER IN USE FROM RACEWAYS.

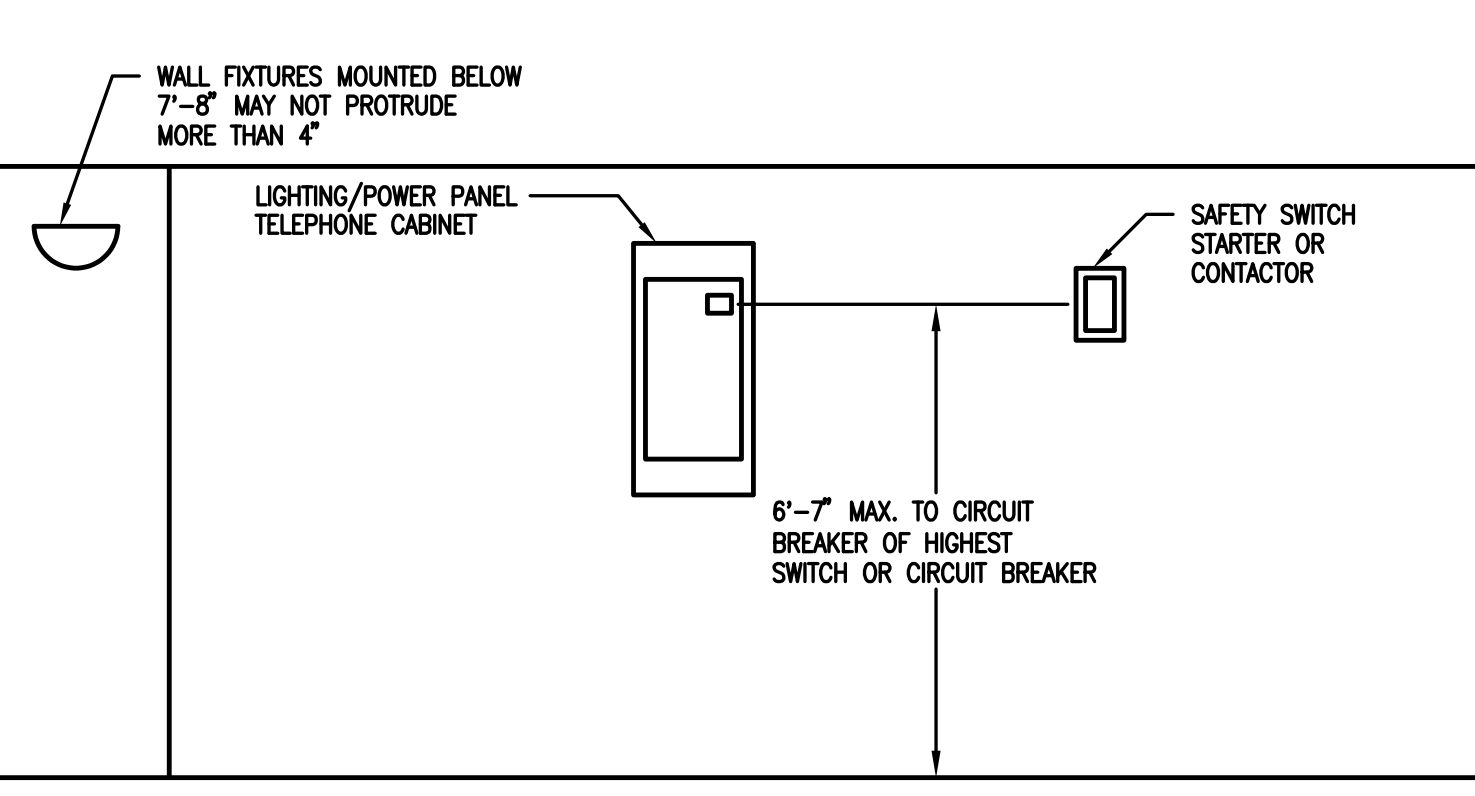
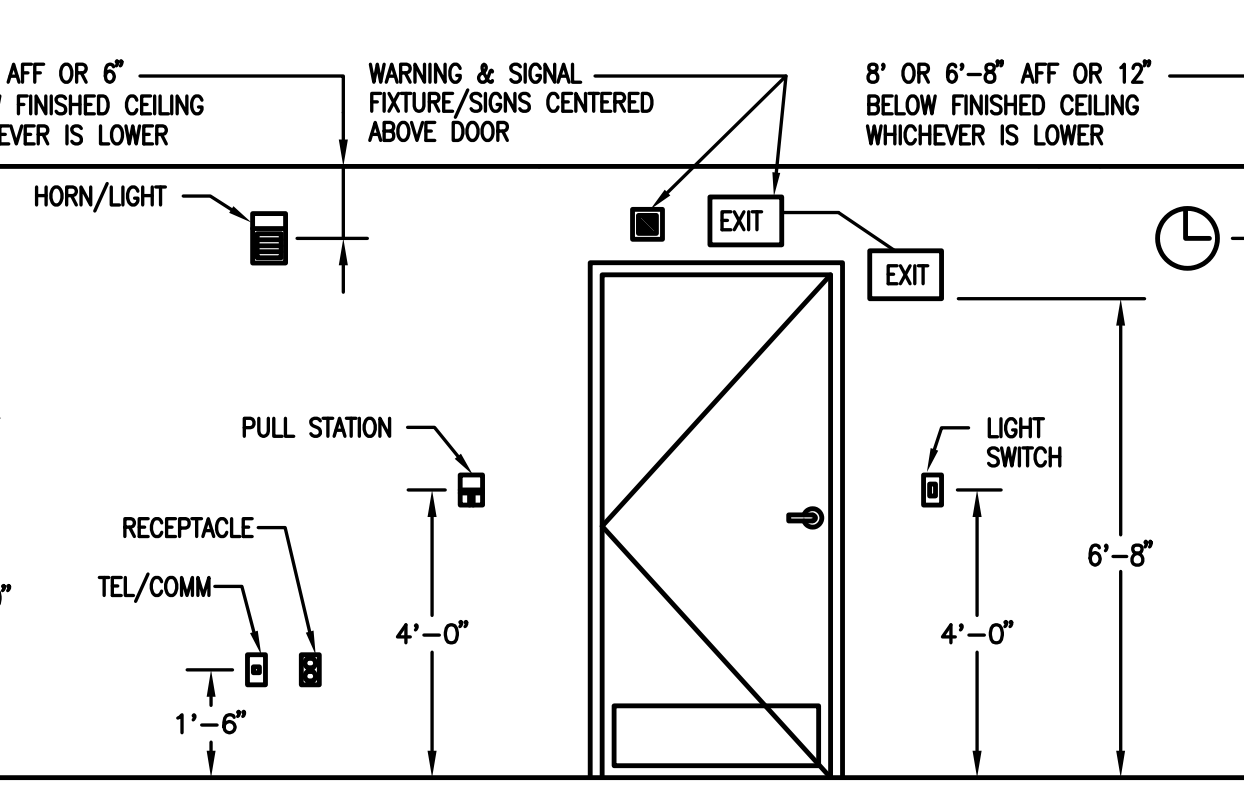
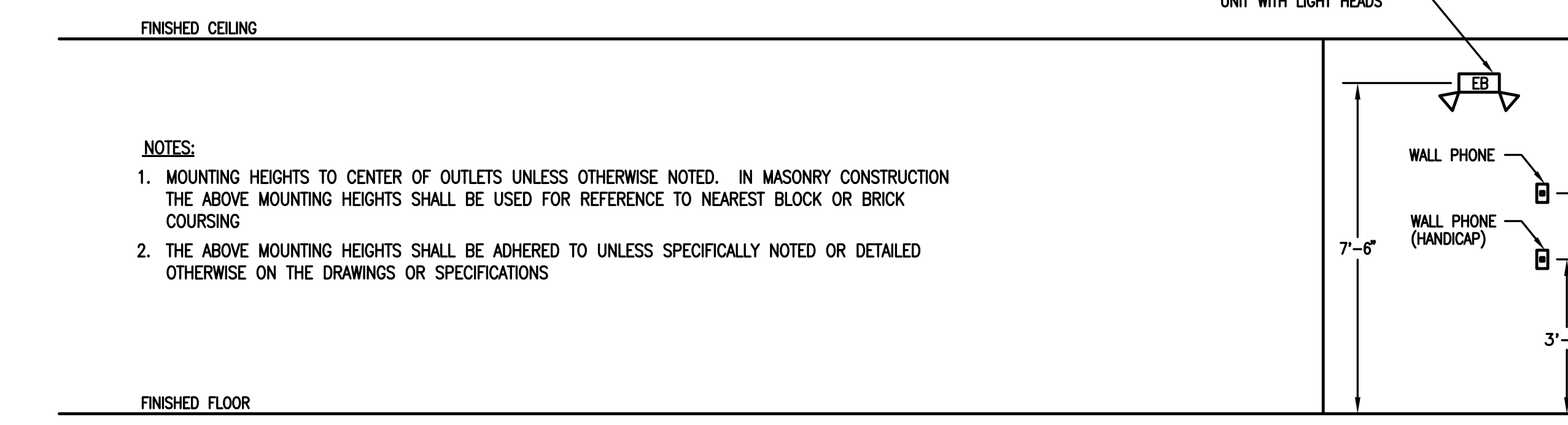
Table with columns: MARK, ISSUE DATE, DESCRIPTION. Includes Issue Log section.



Key Plan

TRO ARCHITECTURE PLANNING ENGINEERING INTERIOR DESIGN logo and contact information.

MOUNTING HEIGHTS



- NOTES:
1. MOUNTING HEIGHTS TO CENTER OF OUTLETS UNLESS OTHERWISE NOTED. IN MASONRY CONSTRUCTION THE ABOVE MOUNTING HEIGHTS SHALL BE USED FOR REFERENCE TO NEAREST BLOCK OR BRICK COURSE.
2. THE ABOVE MOUNTING HEIGHTS SHALL BE ADHERED TO UNLESS SPECIFICALLY NOTED OR DETAILED OTHERWISE ON THE DRAWINGS OR SPECIFICATIONS

Maine Medical Center ED Pediatric Exam Renovation Portland, Maine logo and contact information.

Table with columns: Commission No., Scale, Drawn By, Approved By, Filename, Date Issued, Sheet Number. Includes E001.