

SHELTER NOTES:

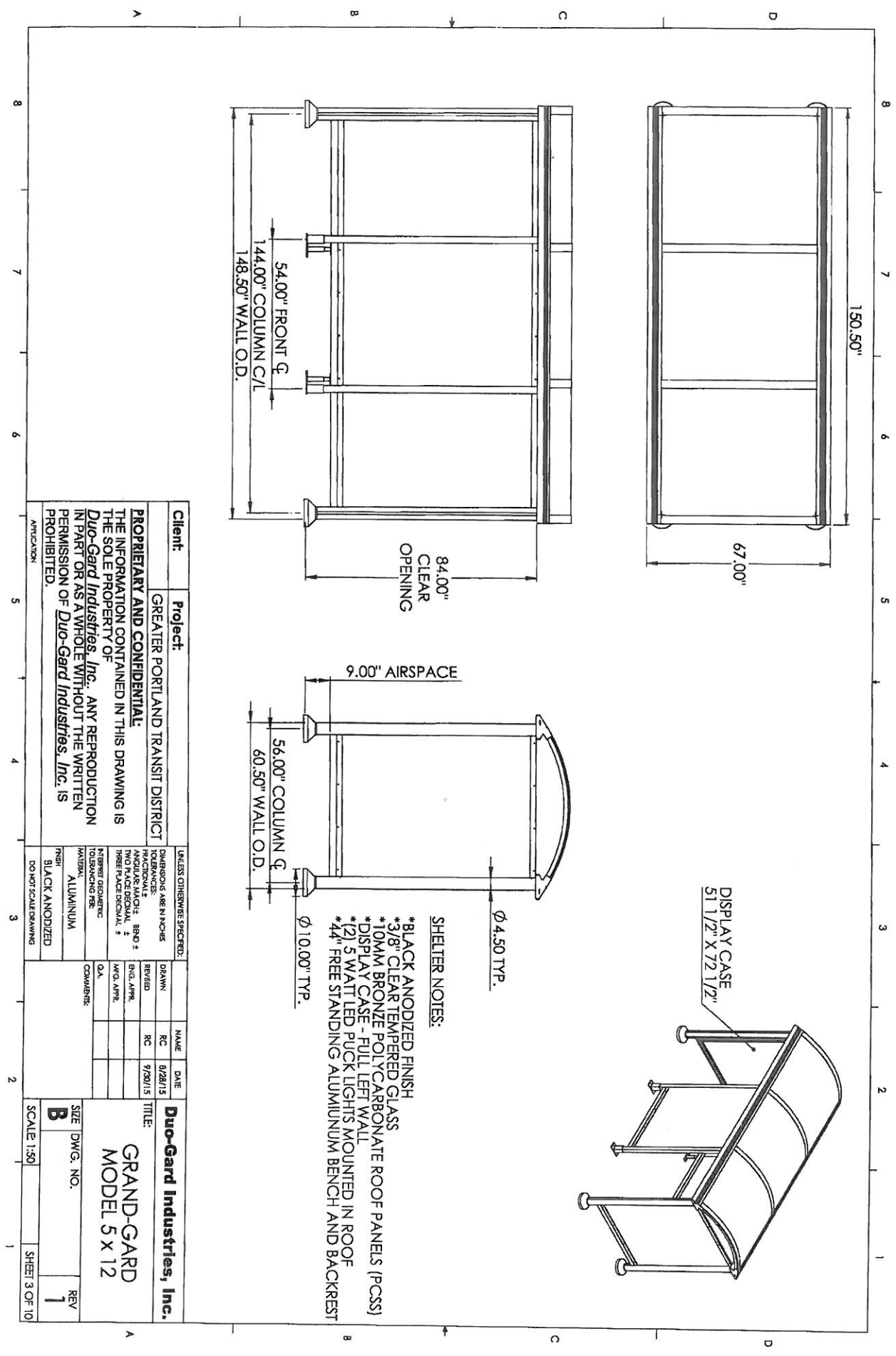
- *BLACK ANODIZED FINISH
- *3/8" CLEAR TEMPERED GLASS PANELS
- *10MM BRONZE POLYCARBONATE ROOF PANELS (PCSS)
- *DISPLAY CASE - FULL LEFT WALL
- *2) 5 WATT LED PUCK LIGHTS MOUNTED IN ROOF
- *44" FREE STANDING BENCH (SEE SEPERATE SHEET)

Client: GREATER PORTLAND TRANST DISTRICT
Project: GREATER PORTLAND TRANST DISTRICT
PROPRIETARY AND CONFIDENTIAL:
 THE INFORMATION CONTAINED IN THIS DRAWING IS THE SOLE PROPERTY OF Duo-Gard Industries, Inc.. ANY REPRODUCTION IN PART OR AS A WHOLE WITHOUT THE WRITTEN PERMISSION OF Duo-Gard Industries, Inc. IS PROHIBITED.

UNLESS OTHERWISE SPECIFIED:
 DIMENSIONS ARE IN INCHES
 TOLERANCES:
 FINISHES:
 MATERIALS:
 FINISH:
 ALUMINUM
 BLACK ANODIZED
 DO NOT SCALE DRAWINGS

DATE	BY	REVISION
8/28/15	RC	9/30/15
	ENG APPR.	
	MFG APPR.	
	G.A.	

Duo-Gard Industries, Inc.
GRAND-GARD MODEL 5 X 9
 SCALE: 1/8"=1'-0" WEIGHT: 509.90 SHEET 2 OF 10
 SIZE DWG. NO. **B** REV **1**



84.00"
CLEAR
OPENING

9.00" AIRSPACE

56.00" COLUMN ϕ
60.50" WALL O.D.

SHELTER NOTES:
 *BLACK ANODIZED FINISH
 *3/8" CLEAR TEMPERED GLASS
 *10MM BRONZE POLYCARBONATE ROOF PANELS (PCSS)
 *DISPLAY CASE - FULL LEFT WALL
 *2) 5 WATT LED PUCK LIGHTS MOUNTED IN ROOF
 *4" FREE STANDING ALUMINIUM BENCH AND BACKREST
 ϕ 10.00" TYP.

DISPLAY CASE
51 1/2" X 72 1/2"

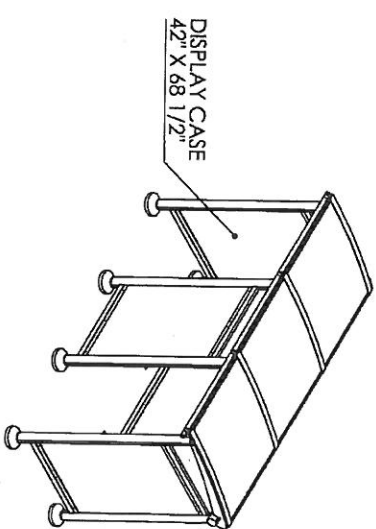
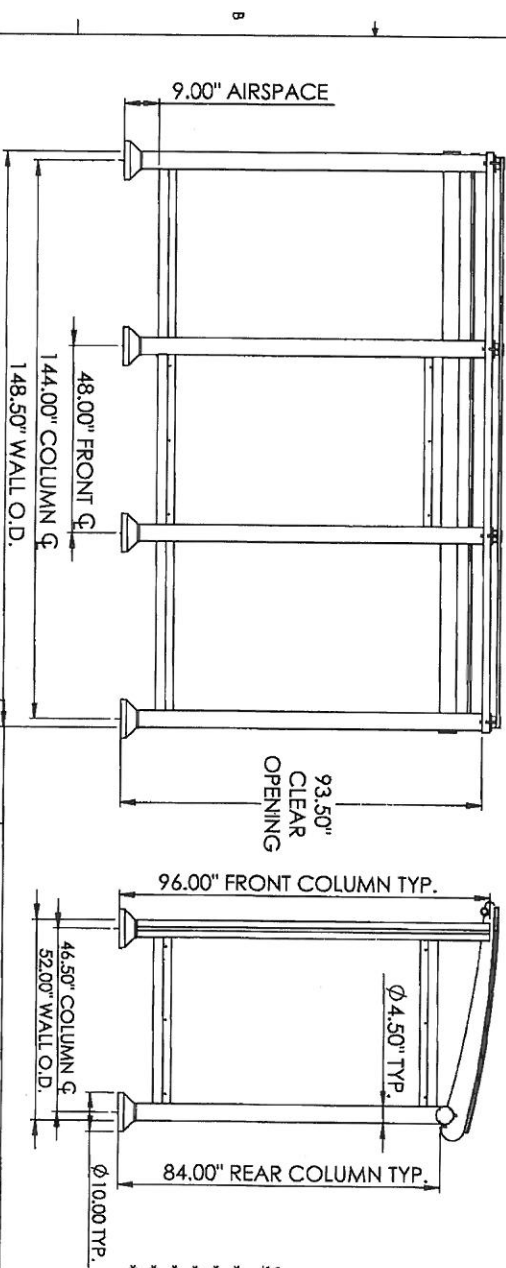
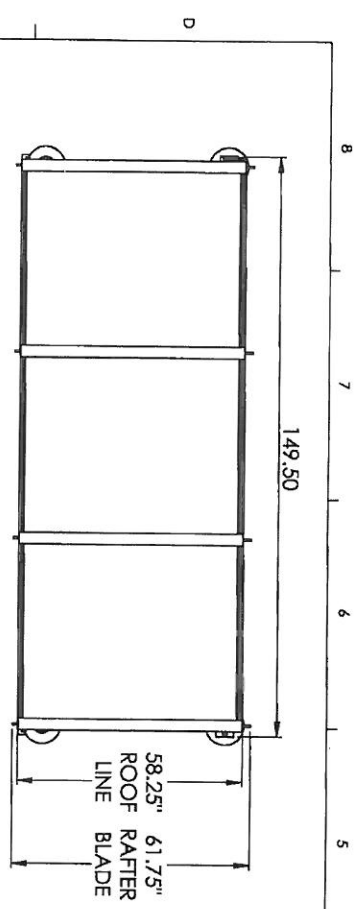
Client: GREATER PORTLAND TRANSIT DISTRICT
Project: GREATER PORTLAND TRANSIT DISTRICT
PROPRIETARY AND CONFIDENTIAL:
 THE INFORMATION CONTAINED IN THIS DRAWING IS THE SOLE PROPERTY OF Duo-Gard Industries, Inc. ANY REPRODUCTION IN PART OR AS A WHOLE WITHOUT THE WRITTEN PERMISSION OF Duo-Gard Industries, Inc. IS PROHIBITED.

UNLESS OTHERWISE SPECIFIED:
DIMENSIONS ARE IN INCHES
TOLERANCES:
FRACTIONS: ± 1/16"
DECIMALS: ± 0.01"
THREE PLACE DECIMAL: ± 0.001"
ANGLE: ± 0.1°
FINISH: BLACK ANODIZED
DO NOT SCALE DRAWING

UNLESS OTHERWISE SPECIFIED:	DATE	NAME	BY
DRAWN	9/28/15	RC	RC
REVIEWED	9/29/15	RC	RC
ENG. APPR.			
MFG. APPR.			
QA			
COMMENTS:			

Duo-Gard Industries, Inc.
GRAND-GARD
MODEL 5 X 12

SIZE: DWG. NO. **B**
 SCALE: 1:50
 SHEET 3 OF 10



SHELTER NOTES:

- *BLACK ANODIZED FINISH
- *3/8" CLEAR TEMPERED GLASS
- *10MM BRONZE POLYCARBONATE ROOF PANELS (PCSS)
- *DISPLAY CASE - FULL LEFT WALL
- *12" 5 WATT LED PUCK LIGHTS MOUNTED IN ROOF
- *44" FREE STANDING ALUMINUM BENCH AND BACKREST

Client: GREATER PORTLAND TRANSIT DISTRICT

Project: GREATER PORTLAND TRANSIT DISTRICT

PROPRIETARY AND CONFIDENTIAL:
THE INFORMATION CONTAINED IN THIS DRAWING IS THE SOLE PROPERTY OF . ANY REPRODUCTION IN PART OR AS A WHOLE WITHOUT THE WRITTEN PERMISSION OF IS PROHIBITED.

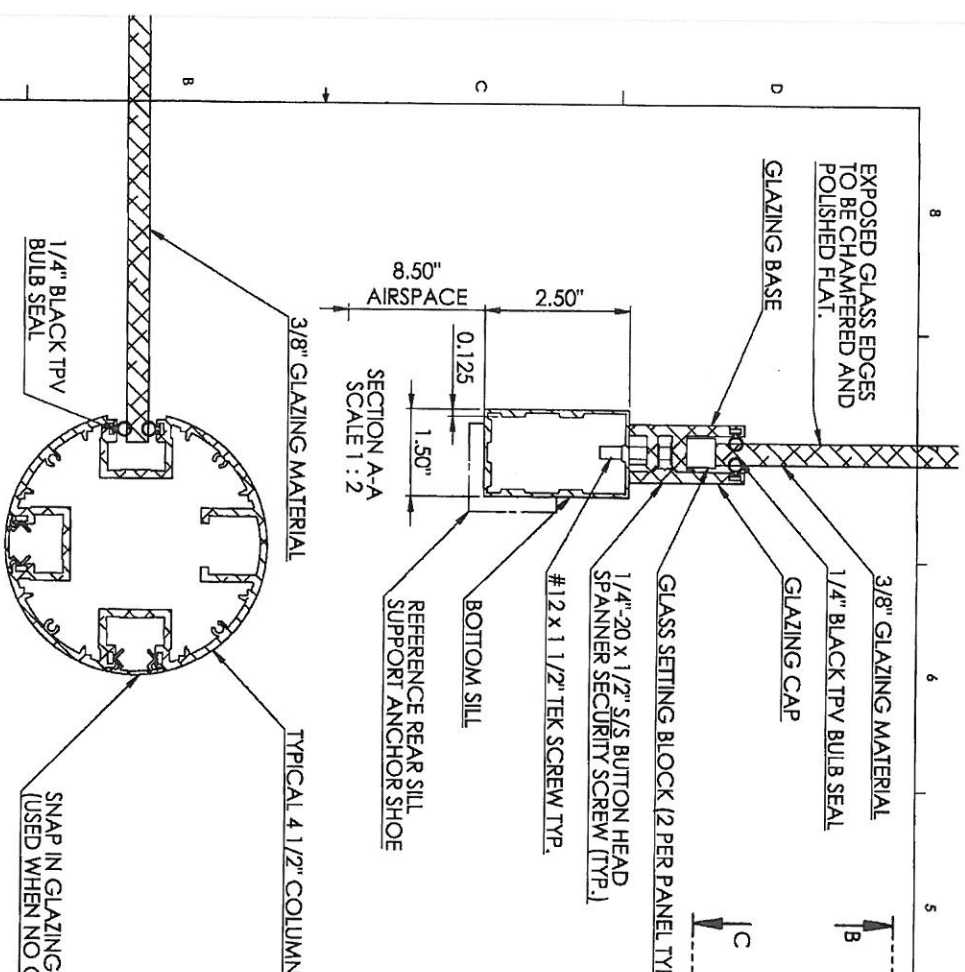
APPLICATOR	1	2	3	4	5	6	7	8
DO NOT SCALE DRAWING								

DIMENSIONS ARE IN INCHES		DATE	
TOLERANCES:		RC	9/28/15
FINISH:	BLACK ANODIZED	RC	
ROOF PANELS:	10MM BRONZE POLYCARBONATE	RC	
GLASS:	3/8" CLEAR TEMPERED	RC	
ROOF RAFTER LINE BLADE:	58.25" X 61.75"	RC	
DISPLAY CASE:	42" X 68 1/2"	RC	
ALUMINUM BENCH AND BACKREST:	44"	RC	
ALUMINUM:	BLACK ANODIZED	RC	
OTHER:		RC	

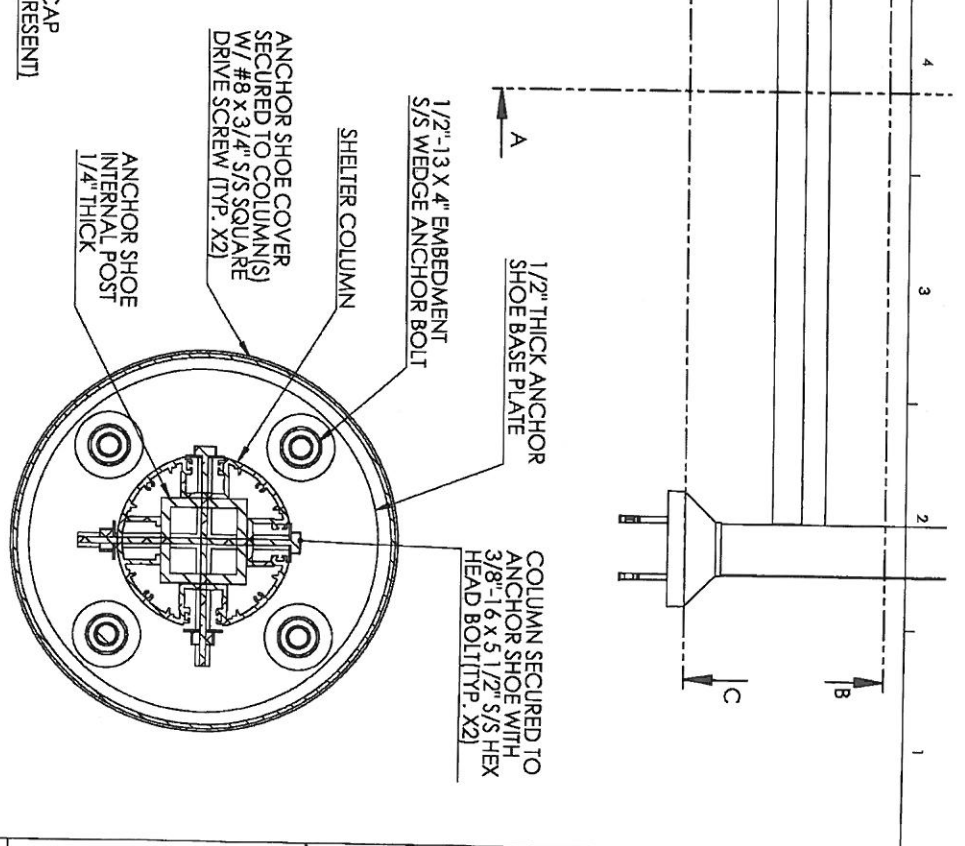
Duo-Gard Industries, Inc.

GRAND-GARD MODEL 5 X 12 SLOPED ROOF

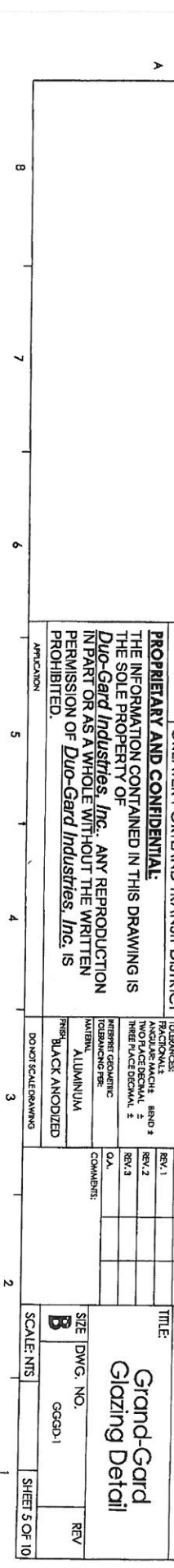
SCALE: 1:50/WEIGHT: SHEET 4 OF 10



SECTION A-A
SCALE 1 : 2

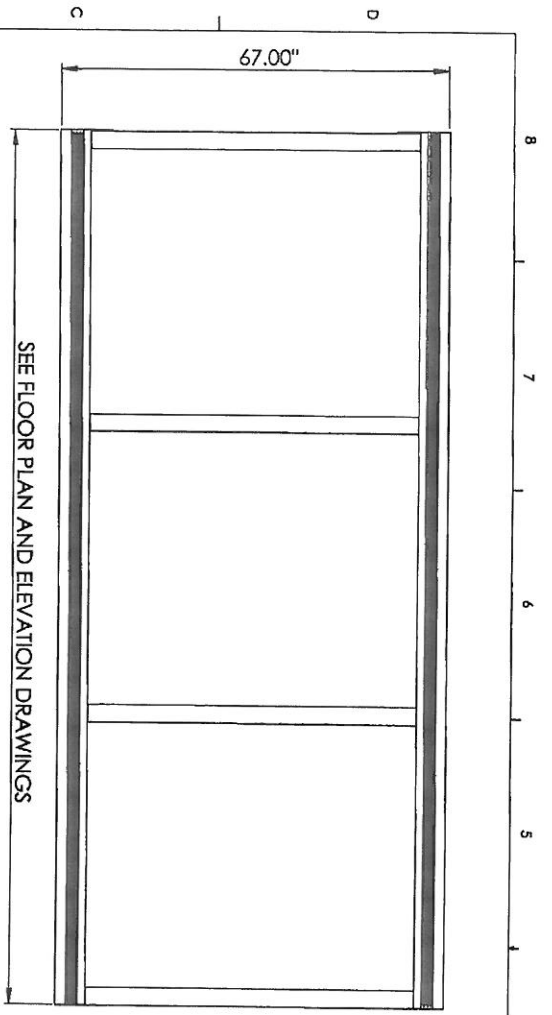


SECTION C-C
SCALE 1 : 3

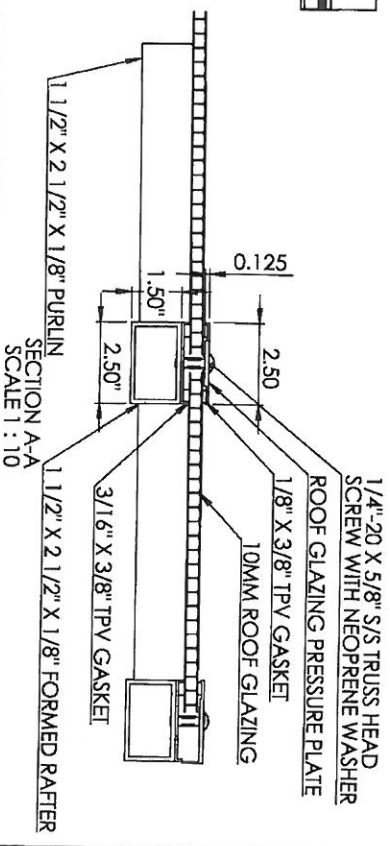
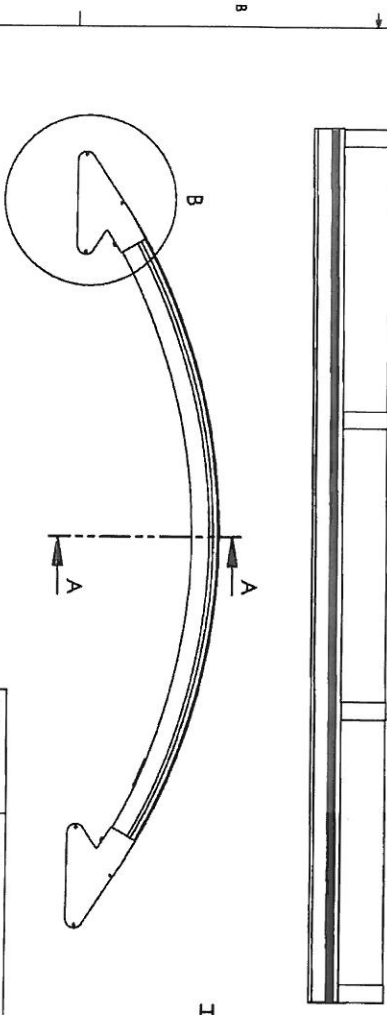
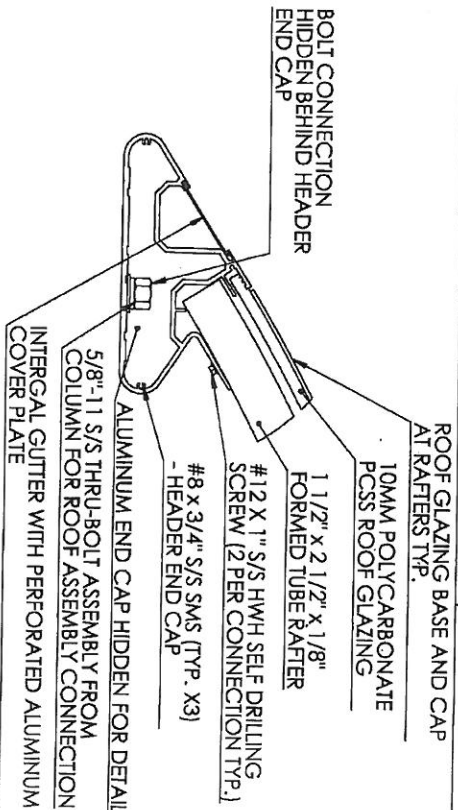


SECTION B-B
SCALE 1 : 2

Client:	Project:	GREATER PORTLAND TRANSIT DISTRICT			
PROPRIETARY AND CONFIDENTIAL:	THE INFORMATION CONTAINED IN THIS DRAWING IS THE SOLE PROPERTY OF Duo-Gard Industries, Inc.. ANY REPRODUCTION IN PART OR AS A WHOLE WITHOUT THE WRITTEN PERMISSION OF Duo-Gard Industries, Inc. IS PROHIBITED.				
UNLESS OTHERWISE SPECIFIED:	DIMENSIONS ARE IN INCHES	FRANCHISE:	DRAWN:	NAME:	DATE:
TOLERANCES:		ANCHOR WEDGE: BRAND #	REV. 1	RC	8/28/15
ANCHOR SHOE: BRAND #		THIRD PLACE: BRAND #	REV. 2		
ANCHOR SHOE: THICKNESS		ANCHOR SHOE: BRAND #	REV. 3		
ANCHOR SHOE: BRAND #		ANCHOR SHOE: BRAND #	O.A.		
ANCHOR SHOE: BRAND #		ANCHOR SHOE: BRAND #	COMMENTS:		
ANCHOR SHOE: BRAND #		ANCHOR SHOE: BRAND #	SIZE DWG. NO.	REV	
ANCHOR SHOE: BRAND #		ANCHOR SHOE: BRAND #	GGDD-1		
ANCHOR SHOE: BRAND #		ANCHOR SHOE: BRAND #	SCALE: NTS	SHEET 5 OF 10	
ANCHOR SHOE: BRAND #		ANCHOR SHOE: BRAND #			



SEE FLOOR PLAN AND ELEVATION DRAWINGS



Client: GREATER PORTLAND TRANSIT DISTRICT

Project: GREATER PORTLAND TRANSIT DISTRICT

PROPRIETARY AND CONFIDENTIAL:
THE INFORMATION CONTAINED IN THIS DRAWING IS THE SOLE PROPERTY OF **Duo-Gard Industries, Inc.** ANY REPRODUCTION IN PART OR AS A WHOLE WITHOUT THE WRITTEN PERMISSION OF **Duo-Gard Industries, Inc.** IS PROHIBITED.

UNLESS OTHERWISE SPECIFIED:
DIMENSIONS ARE IN INCHES
TOLERANCES:
FRACTIONS: 1/32"
DECIMALS: 0.03125"
RADIUS: R
DIMENSIONS: 1/8" AND 1/4" ANGLES: 45°, 90°, 135°
SURFACE FINISH: AS SHOWN
WELDING: AS SHOWN
PAINT: BLACK ANODIZED
DO NOT SCALE DRAWING

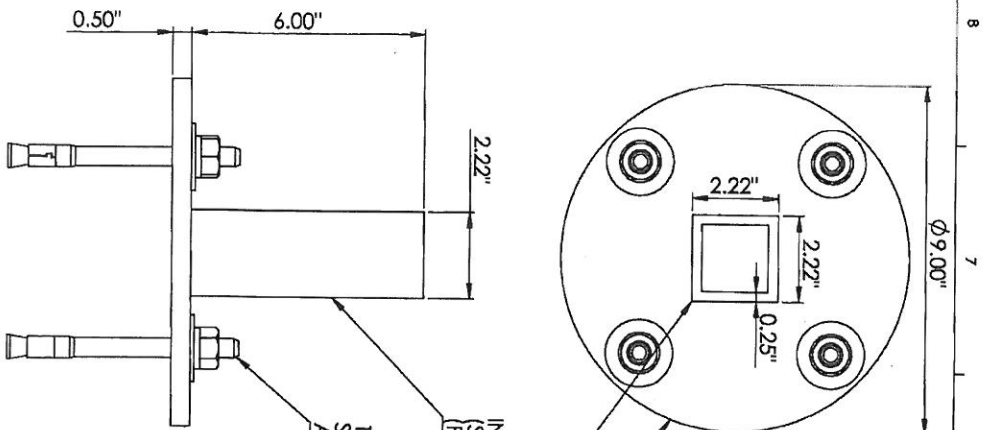
DATE	NAME	DESCRIPTION
8/28/15	RC	DRAWN
		CHECKED
		ENG. APPR.
		ARCH. APPR.
		COMMENTS:

Grand-Gard Industries, Inc.
Roof Detail

SCALE: 1:50 (WEIGHT: 218.61) SHEET 6 OF 10

8 7 6 5 4 3 2 1

DUO-GARD RECOMMENDS A MINIMUM CONCRETE SLAB - 6" THICK - 3000 PSI CONCRETE. RECOMMENDED CONCRETE SLAB TO BE 12" LARGER THEN SHELTER OUTSIDE DIMENSION. SLAB SLOPE SHALL BE 1% MAX IN EITHER DIRECTION.



ANCHOR SHOE BASE PLATE
1/4" THICK INTERNAL ANCHOR SHOE POST (WELDED TO BASE PLATE BY DUO-GARD)

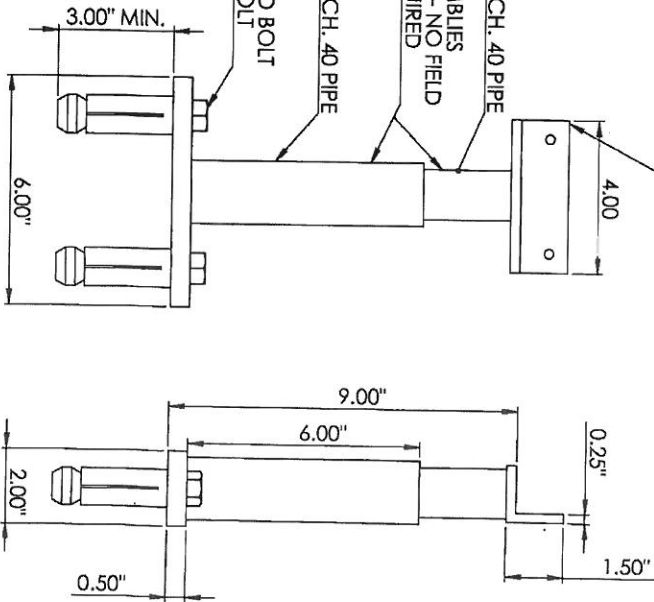
INTERNAL ANCHOR SHOE POST (SECURED TO COLUMN W/ (2) 3/8"-16 x 5 1/2" S/S BOLTS) FIELD DRILL (3/8") TO LEVEL SHELTER ON SITE

1/2"-13 X 4" EMBEDMENT S/S WEDGE ANCHOR BOLT ASSEMBLY

1" SCH. 40 PIPE
WELDED ASSEMBLIES BY DUO-GARD - NO FIELD WELDING REQUIRED

1/2"-13 X 2" S/S HEX HEAD BOLT W/ DROP IN ANCHOR BOLT

1 1/4" SCH. 40 PIPE



1 1/2" X 1 1/2" X 1/4" ANGLE SILL SUPPORT (SECURED TO REAR SILL W/ (2) 1/4"-20 X 1" THREAD FORMING SCREWS - S/S)

TYPICAL COLUMN ANCHOR SHOE

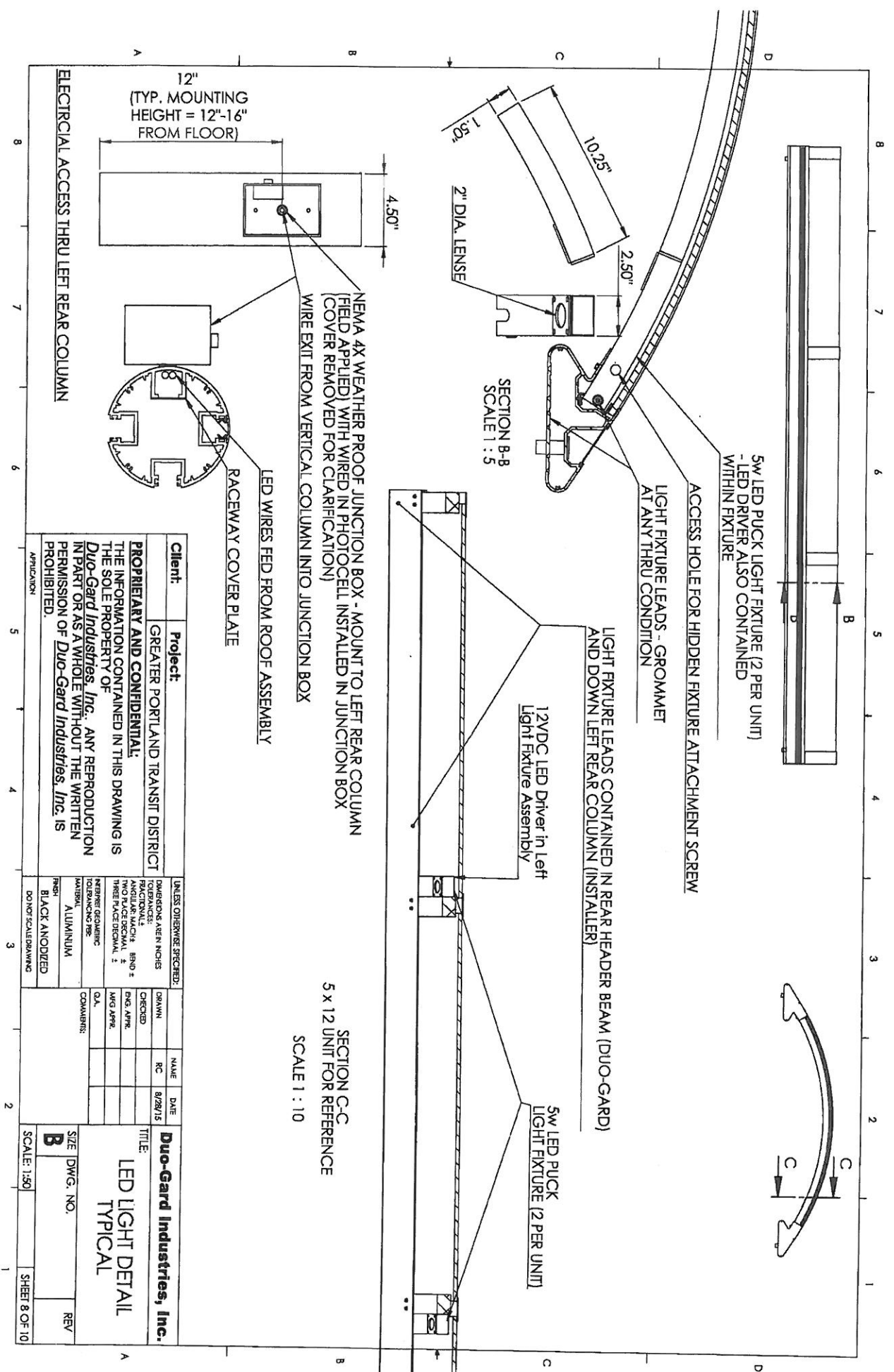
TYPICAL REAR SILL SUPPORT ANCHOR SHOE

Client:	Project:
	GREATER PORTLAND TRANSIT DISTRICT
PROPRIETARY AND CONFIDENTIAL:	
THE INFORMATION CONTAINED IN THIS DRAWING IS THE SOLE PROPERTY OF. ANY REPRODUCTION IN PART OR AS A WHOLE WITHOUT THE WRITTEN PERMISSION OF IS PROHIBITED.	

UNLESS OTHERWISE SPECIFIED: DIMENSIONS ARE IN INCHES TOLERANCES: FRACTIONAL: ± .005 DECIMAL: ± .005 HOLE DIA: ± .005 FIT: H9/D9		DRAWN: RC		DATE: 8/28/15	
MATERIALS: ANCHOR BOLT - B18 ANCHOR BOLT - B18 ANCHOR BOLT - B18		CHECKED: BNG, APR			
WELDED ASSEMBLIES BY DUO-GARD - NO FIELD WELDING REQUIRED		MFG. APR			
OTHER COMMENTS:		D.A.			

DUO-GARD INDUSTRIES, INC.		Grand-Gard Anchoing Detail	
TITLE:		SCALE: 1/5	
SIZE: DWG. NO. B		WEIGHT:	
REV		SHEET 7 OF 10	

8 7 6 5 4 3 2 1



Client: GREATER PORTLAND TRANSIT DISTRICT

Project: GREATER PORTLAND TRANSIT DISTRICT

PROPRIETARY AND CONFIDENTIAL:
 THE INFORMATION CONTAINED IN THIS DRAWING IS THE SOLE PROPERTY OF Duo-Gard Industries, Inc. ANY REPRODUCTION IN PART OR AS A WHOLE WITHOUT THE WRITTEN PERMISSION OF Duo-Gard Industries, Inc. IS PROHIBITED.

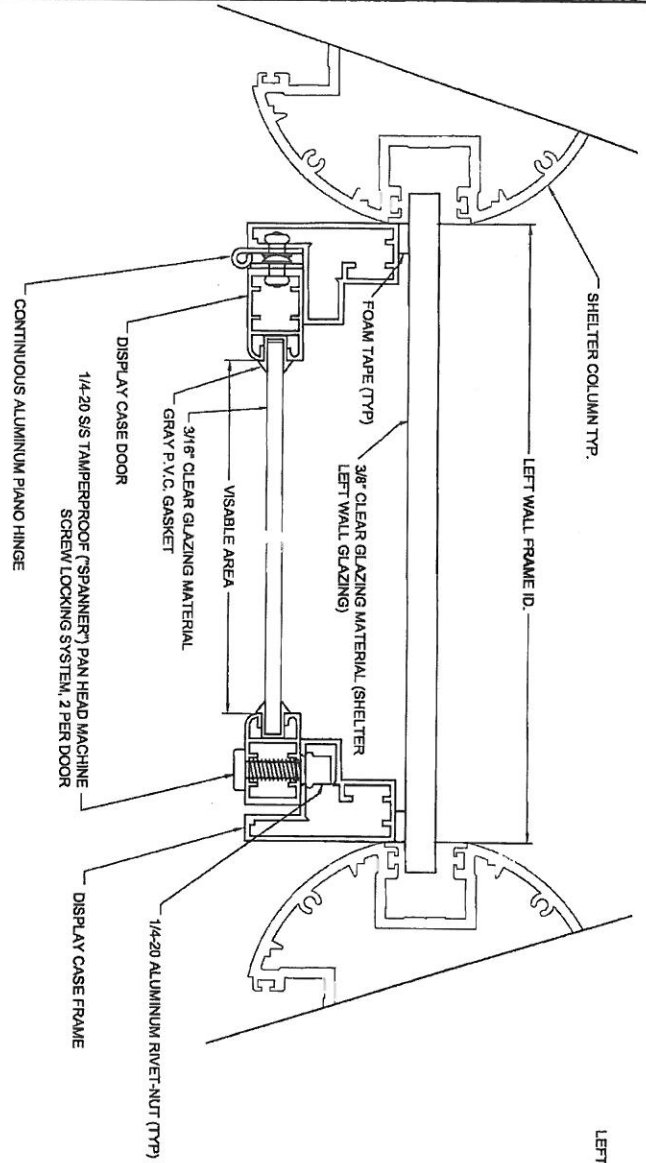
UNLESS OTHERWISE SPECIFIED:		DRAWN		NAME		DATE	
DIMENSIONS ARE IN INCHES		RC		RC		8/29/15	
TOLERANCES:		CHECKED		ENG. APPROV.			
FRACTIONAL: 1/16, 1/8, 1/4, 3/8, 1/2		MFG APPROV.		G.A.			
DECIMAL: .0005, .001, .002, .005, .010, .015, .030, .060, .125		COMMENTS:		SIZE		DWG. NO.	
NETTING GEOMETRIC TOLERANCES AND FINISH				B			
MATERIAL: ALUMINUM				SCALE: 1:50		SHEET 8 OF 10	
FINISH: BLACK ANODIZED							
DO NOT SCALE DRAWING							

THIS DRAWING IS PROPRIETARY AND FOR THE SOLE USE OF OUR CUSTOMER AND MAY NOT BE COPIED OR REPRODUCED WITHOUT PRIOR WRITTEN CONSENT FROM DUO-GARD INDUSTRIES, INC. LEAD TIME BEGINS UPON RECEIPT OF SIGNED SHOP DRAWINGS.

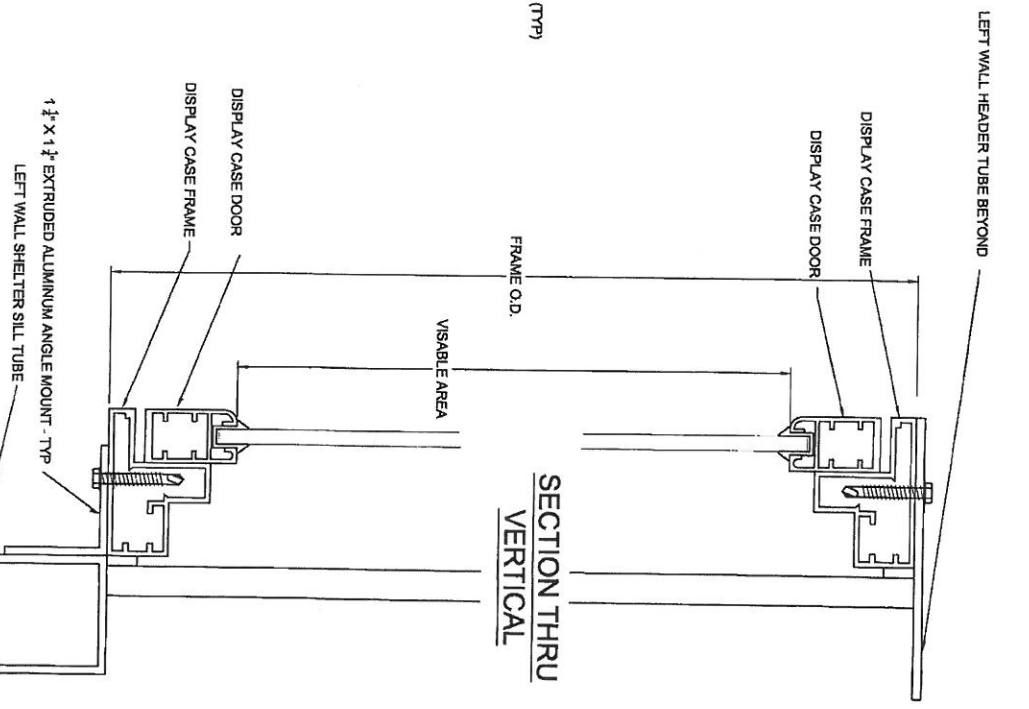
APPROVAL SIGNATURE _____ DATE _____

PROJECT NAME		MODULAR BUILDING STANDARD DETAILS	
DESCRIPTION		DISPLAY CASE / MAP FRAME DETAILS	
DRAWING	REV	DATE	SCALE
RC	KW	08/28/15	6" = 1'-0"
DRAWN BY		DATE	PAGE
RC		08/28/15	9
CHECKED BY		DATE	OF
RC		08/28/15	10
DRAWING #		BSDT-7	

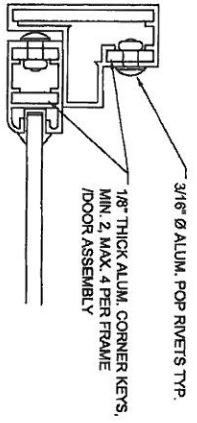
SECTION THRU HORIZONTAL



SECTION THRU VERTICAL



CORNER KEY DETAIL





Tel (734) 207-9700 Fax (734) 207-7995
www.duo-guard.com

THIS DRAWING IS PROPRIETARY AND FOR THE SOLE USE OF OUR CUSTOMER AND MAY NOT BE COPIED OR REPRODUCED WITHOUT PRIOR WRITTEN CONSENT FROM DUO-GARD INDUSTRIES, INC. LEAD TIME BEGINS UPON RECEIPT OF SIGNED SHOP DRAWINGS

APPROVAL SIGNATURE _____ DATE _____

PROJECT NAME: MODULAR BUILDING STANDARD DETAILS
DESCRIPTION: HOOP® STYLE BENCH / BACK WITH RECYCLED PLASTIC SLAT DETAIL

PART ENG	RC	DATE	SCALE	PAGE	OF	DRAWING #
PRJ MGR	KW	08/29/15	NTS	10	10	HOOP246

NOTES:
FINISH IS BLACK ANODIZED
EXTRUDED ALUMINUM BENCH/BACKREST (BLACK ANODIZED)
WITH HOOP STYLE BRACKETS

