

Holophane
Pedestrian
Esplanade
Series Luminaire

APPLICATION:

Street/Sidewalk lighting for two-way streets with parking on both sides.

Suggested layouts:

90-100 ft on center (one side only)

175-225 ft on center (staggered pattern both sides)

72' OK as long as maximum fc is not exceeded.



City of Portland, Maine
Street & Sidewalk Lighting
CONGRESS STREET DISTRICT
Street/Pedestrian Lighting Pole

Sheet 3 of 3

08/05/07

Fixture A1

Application

LED recessed wall luminaire with asymmetrical light distribution for the illumination of ground surfaces, building entrances, stairs and footpaths.

Materials

Luminaire housing and faceplate constructed of die-cast aluminum marine grade, copper free ($\leq 0.3\%$ copper content) A360.0 aluminum alloy
 Clear safety glass
 Silicone applied robotically to casting, plasma treated for increased adhesion
 High temperature silicone gasket
 Mechanically captive stainless steel fasteners
 Stainless steel screw clamps
 Composite installation housing

NRTL listed to North American Standards, suitable for wet locations
 Protection class IP65
 Weight: 1.8 lbs

Electrical

Operating voltage 120-277VAC
 Minimum start temperature -40°C
 LED module wattage 5.9W
 System wattage 8.0W
 Controlability 0-10V, TRIAC, and ELV dimmable
 Color rendering index $Ra > 80$
 Luminaire lumens 342 lumens (3000K)
 Lifetime at $Ta=15^{\circ}\text{C}$ $> 500,000$ h (L70)
 Lifetime at $Ta=35^{\circ}\text{C}$ 185,000 h (L70)

LED color temperature

2700K - Product number + **K27**
 3000K - Product number + **K3**
 3500K - Product number + **K35**
 4000K - Product number + **K4**

BEGA can supply you with suitable LED replacement modules for up to 20 years after the purchase of LED luminaires - see website for details

Finish

All BEGA standard finishes are matte, textured polyester powder coat with minimum 3 mil thickness.

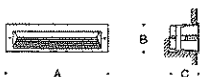
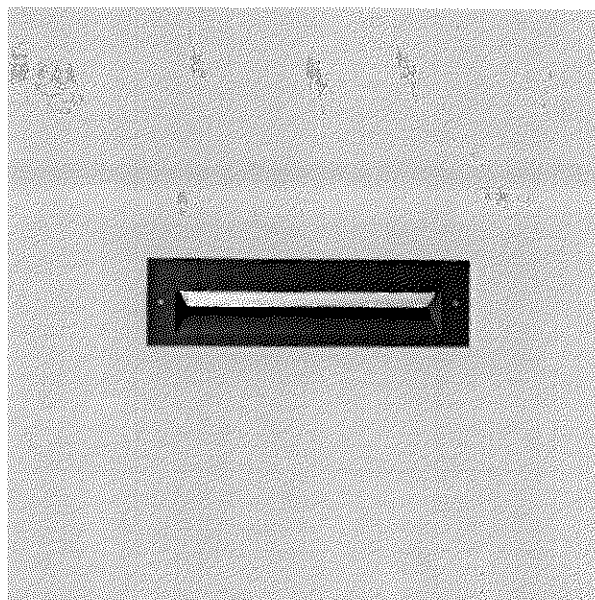
Available colors Black (BLK) White (WHT) RAL:
 Bronze (BRZ) Silver (SLV) CUS:

Type:
 BEGA Product:
 Project:
 Modified:

Fixture A2



Fully enclosed luminaire with installation housing ensures seamless integration and weathertight operation.

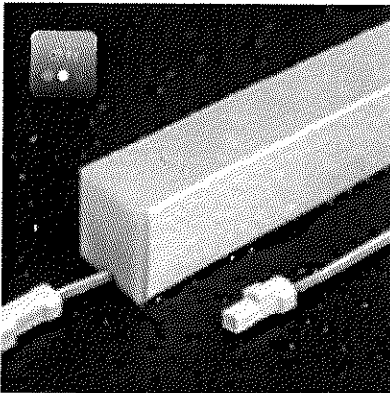


LED recessed wall luminaires - asymmetrical

	LED	A	B	C
33054	5.9W	10 1/2"	2 3/4"	5"



ADONIS HYDRA White IP67

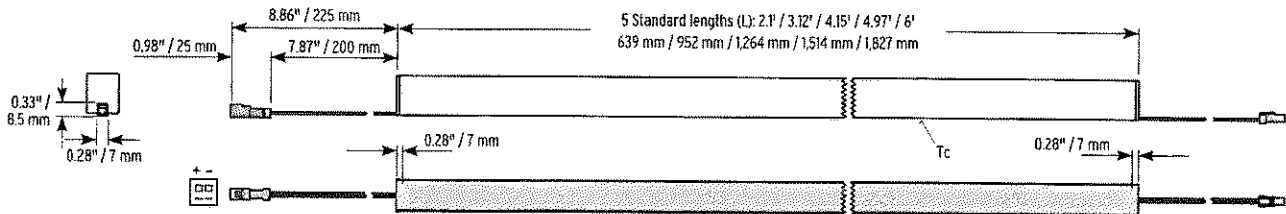


24 V, IP67 protected and IK10 certified, linear LED luminaire with small form factor and opal encapsulation with a homogeneous light emission. "One Bin Only" within 3 MacAdam guarantees constant color temperature and high light quality with a lifetime of > 60,000 hrs (L80/B10). It is IP67 protected against water, salt water, solvents and UV radiation by an opal polyurethane encapsulation. Furthermore, it is IK10 certified and therefore particularly robust against environmental impacts. It is available in 5 standard lengths and is supplied ready to plug in with a IP67 mini-connector. Engineered in Germany.

Fixture A3

Project name _____
 Fixture type _____ Phase _____
 Specifier _____ Date _____

Dimensions & available lengths



Opal encapsulated LED light line
 Finish: White powder coated

Tc-point (Case temp.) on the rear side of the module

Electrical & output data

Voltage	24 Volt (23 V _{min} , 25 V _{max})
Temperature ²	T _{Cmin} = -13°F / -25°C, T _{Cmax} (Table below)
Storage temperature	T _{Smin} = -22°F / -30°C, T _{Smax} = 185°F / 85°C
Ambient temperature	T _{Amin} = -13°F / -25°C, T _{Amax} = 104°F / 40°C
CRI	up to 95
R9	up to 65



Lifetime
 L80/B10 > 60,000 h

LM 79 compliant

LM 80 compliant

UV protected

Resistant to solvents

Saltwater resistant

Temporary immersion protection

Impact resistant (suitable for walk over)

ADONIS HYDRA	HD6	HD10	HD15	HD25
Power (W/ft / W/m) ¹	1.8 / 6	3.1 / 10	4.6 / 15	7.6 / 25
Efficacy (lm / W) ¹ @ W850	62	62	67	65
max. serial run length (ft / m)	16.4 / 5	16.4 / 5	13.1 / 4	9.8 / 3
Temperature Tc-point (T _{Cmax}) ²	158°F / 70°C	158°F / 70°C	158°F / 70°C	167°F / 75°C

Color temperature LED tape used ³	Color temperature delivered finished fixture		lumen/foot (lm/ft) ¹ lumen/meter (lm/m) ¹			
			low output	HD10	HD15	high output
W820 2000 K	2400 K		66 / 220	109 / 360	176 / 580	286 / 940
W822 2200 K	2700 K		75 / 250	124 / 410	200 / 660	325 / 1070
W825 2500 K	3000 K		84 / 280	142 / 470	228 / 750	374 / 1230
W827 W927 2700 K	3500 K 3400 K		75 / 250	127 / 420	243 / 800	395 / 1300
W830 W930 3000 K	3900 K 3800 K		78 / 260	130 / 430	258 / 850	420 / 1380
W835 W935 3500 K	4600 K 4400 K		78 / 260	133 / 440	270 / 890	441 / 1450
W840 W940 4000 K	5500 K 5600 K		81 / 270	136 / 450	276 / 910	450 / 1480
W850 5000 K	7200 K		112 / 370	188 / 620	304 / 1000	493 / 1620

¹ The given data are typical values. Due to tolerances of the production process and the electrical components, values for light output and electrical power can vary up to 10%.

² The Tc-point should be measured in thermal equilibrium according to IEC EN 60598-1.

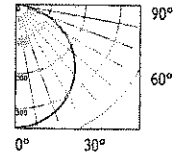
³ In case of IP67 products, tolerances in the color temperature can occur. For further explanation, please see specification catalogue 2016/2017.

Please click here to configure your fixture online



Order code

Your order code	ADONIS HYDRA	HD__	W_	_____	_____	IP67
Order code example	ADONIS HYDRA	HD10	WS	27	1514	IP67



LED tape

HYDRA HD6	HD6
HYDRA HD10	HD10
HYDRA HD15	HD15
HYDRA HD25	HD25

Color rendering

> 80	8
> 90 (only HD6, HD10)	9

Color temperature delivered finished fixture **Color temperature LED tape used**

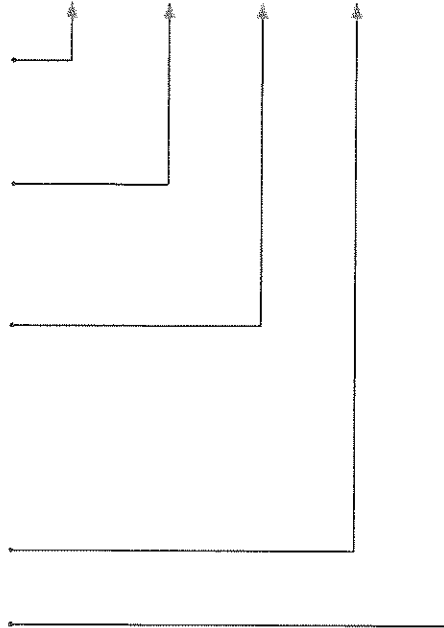
2400 K	2000 K	20
2700 K	2200 K	22
3000 K	2500 K	25
3500 K 3400 K	2700 K	27
3900 K 3800 K	3000 K	30
4600 K 4400 K	3500 K	35
5500 K 5600 K	4000 K	40
7200 K	5000 K	50

Length

2.1' (639 mm) (2 clips recommended)	0639
3.12' (952 mm) (2 clips recommended)	0952
4.15' (1,264 mm) (3 clips recommended)	1264
4.97' (1,514 mm) (3 clips recommended)	1514
6' (1,827 mm) (4 clips recommended)	1827

Ingress protection

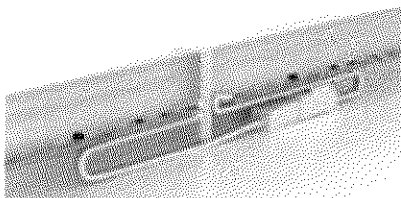
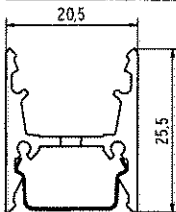
IP67	IP67
------------	------



DIN 5040:A40
cd/1,000 lumen
C0/C180
C90/C270

Please choose your accessories

Mounting	Art.-#	
<input type="checkbox"/> Mounting clip for VarioContour 010 (required every 1.31' / 40 cm)	13000104	
<input type="checkbox"/> Contour 010 Adjustable Wall Mount Set	13000165	
<input type="checkbox"/> Mounting Lock ⁴ (for vertical mounting)	13000192	



Easy and clean installation due to internal mounting clips. ADONIS / KALYPSO H-channel also acts as cable raceway. Therefore you do not see any clips or cables from the outside.

⁴ The mounting lock is used to fix the sliding mounting clips, thus allowing a vertical wall mounting.

⁵ Required for IP67 connector sealing at end of runs.

Extensions / Jumpers (optional)	Art.-#	
<input type="checkbox"/> VarioCon Female Mini 2x 0.0005 sqin / 0.34 mm ² 6.56' / 2m IP67	15000142	
<input type="checkbox"/> VarioCon Extension Mini 2x 0.0005 sqin / 0.34 mm ² 0.33' / 0.1m IP67	15000143	
<input type="checkbox"/> VarioCon Female Mini Protection Cap Mono IP67 ⁵	15000218	

Recommended driver	
<input type="checkbox"/> MEAN WELL HLG-100H-24A	

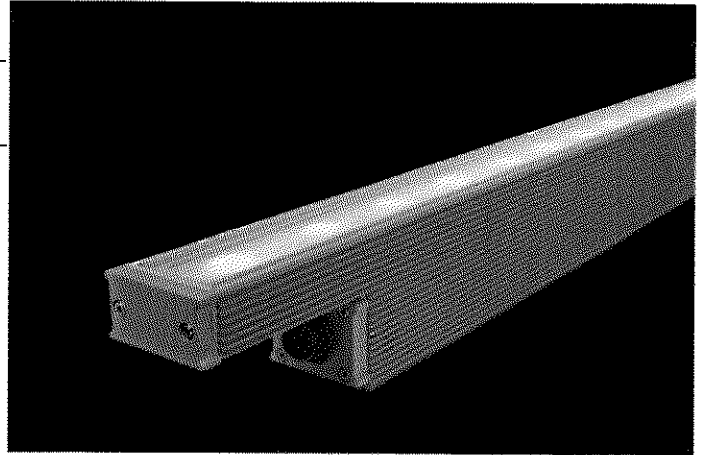
Recommended control	
<input type="checkbox"/> EldoLED LINEARdrive DC 180D	

For further driver options including **OSLUTRON** click here.

Fixture A4

Client _____

Order# _____ Type _____



FEATURES AND BENEFITS

Physical :

- Low copper content extruded aluminum housing
- Available in 1', 2', 3' or 4' sections
- Electro-statically applied polyester powder coat finish
- Machined aluminum end caps and silicone gaskets
- Stainless steel hardware
- Clear tempered glass lens
- Asymmetric wallwash, 8° x 8°, 10° x 10°, 10° x 30°, 10° x 60°, 10° x 90°, 15° x 25°, 30° x 30°, 30° x 60°, 35° x 35°, 50° x 80°, 60° x 60°, 80° x 80°, or 90° x 90° optics
- IP66
- IK07 rated (asymmetric wallwash lens is IK06 rated)
- Meets 3G ANSI C136.31 Vibration standard for bridge applications
- Corrosion-resistant coating for hostile environments²



Performance :

- 2200K, 2700K, 3000K, 3500K, 4000K, Red, Green, Blue static colors available
- CRI value: 80+
- Minimum 1fc (10.7 lux) @ 140ft (43m) distance (HO 4000K, 4' unit, 10° x 60° optic)
- Lumen maintenance: 120,000 hrs [L70 @ 25°C]
- Lumen measurements comply with LM - 79 - 08 standard
- Resolution per foot or per fixture (configured with LumenID V3 software & DMX/RDM)
- Operating temperatures: -25° C to 50° C [-13F to 122F]

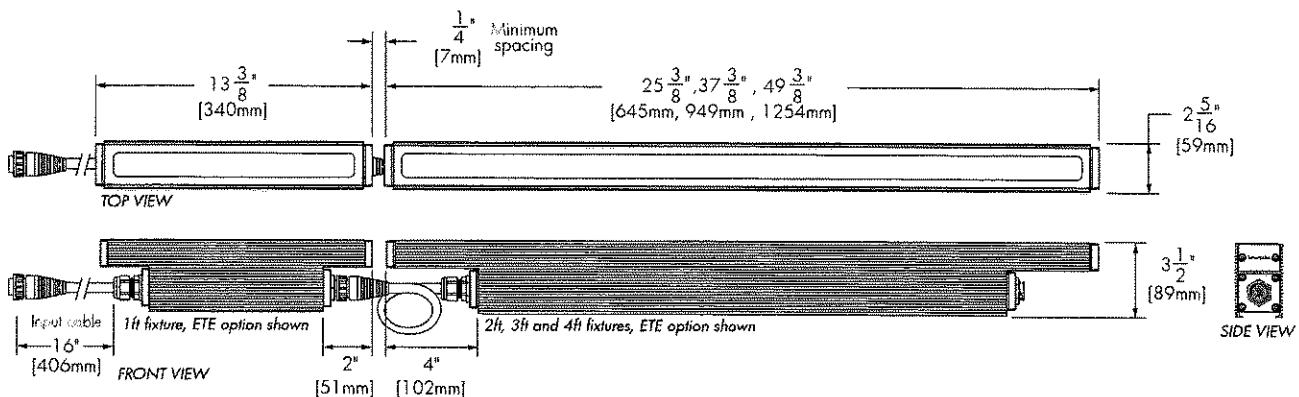
Photometric Summary

4ft HO, 4000K	Delivered Output [lm]	Intensity [peak cd]
WW	3,592	5,159
8°x8°	4,045	77,896
10°x10°	3,768*	38,346*
10°x30°	3,830	30,056
10°x60°	3,692	19,654
10°x90°	3,576	7,897
30°x30°	3,765	14,726
30°x60°	3,862*	5,119*
60°x60°	3,447*	3,015*
90°x90°	3,592	1,886

Photometric performance is measured in compliance with IESNA LM-79-08.
* Estimated. Consult lumenpulse website for the latest IES and LDT files.

Electrical :

- Line voltage luminaire for 100 to 277V
- Power and data in 1 cable (#16-5)
- End-to-end option (ETE): 16" black input cable, no jumper cable needed
- 252ft [77m] maximum cable and fixture run length, non-dimming, 277V, RO version
- 164ft [50m] maximum cable and fixture run length, non-dimming, 277V, HO version
- 5W/ft version meets ASHRAE standards for linear lighting on building facades³
- 8.5W/ft Regular Output version³
- 15.25W/ft High Output version³
- Dimming options: Lumentalk, 0-10 volt, DALI, Lutron® EcoSystem® or DMX/RDM enabled



¹ Asymmetric wallwash lens is IK06 rated.
² Use only when exposed to salt spray and harsh chemicals. This option is not required for normal outdoor exposure!
³ ASHRAE version not available for 1' fixture lengths. Power consumption is typically 20% higher for 1' fixture lengths.

Specification Sheet

lumenfacade™

WHITE & STATIC COLORS

HOW TO ORDER

LOG Select: | **Select:** | **Select:** | **Select:** | **Select:** | **Select:** | **Select:** | **Select:** | **Select:**

1 | 2 | 3 | 4 | 5 | 6 | 7 | 8 | 9

1

Housing:

LOG ASHRAE - lumenfacade™, 5W/ft ASHRAE compliant¹
LOG RO - lumenfacade™ Regular Output, 8.5W/ft
LOG HO - lumenfacade™ High Output, 15.25W/ft

Bi-symmetric

10x30 - 10° x 30° **15x25** - 15° x 25°
10x60 - 10° x 60° **30x60** - 30° x 60°
10x90 - 10° x 90° **50x80** - 50° x 80°

2

Voltage:

100 - 100 volts **220** - 220 volts
120 - 120 volts **240** - 240 volts
208 - 208 volts **277** - 277 volts

6

Mounting Option:

SAM - Slim Adjustable Mounting
UMP - Fixed Mounting⁴
UMAS - Universal Adjustable Mounting⁴
WAM2 - Adjustable Wall Mounting 2"
WAM6 - Adjustable Extended Arm Mounting 6"
WAM12 - Adjustable Extended Arm Mounting 12"
WAM18 - Adjustable Extended Arm Mounting 18"

3

Length:

12 - 13 3/8 inches (340mm) (2 kg/4.5 lbs)
24 - 25 3/8 inches (645mm) (3.17 kg/7 lbs)
36 - 37 3/8 inches (949mm) (4.75 kg/10.5 lbs)
48 - 49 3/8 inches (1254mm) (6.35 kg/14 lbs)

7

Finish:

BK - Black Sandtex
BRZ - Bronze Sandtex
SI - Silver Sandtex
WH - Smooth white
CC - Custom color and finish (please specify RAL color)⁵

4

Colors and Color temperatures:

22K - 2200K **40K** - 4000K
27K - 2700K **RD** - Red
30K - 3000K **GR** - Green
35K - 3500K **BL** - Blue

Consult factory for availability of static Royal Blue, 6500K and 90+ CRI.

8

Control:

NO - No Dimming
IT - Lumentalk Dimming⁶
DIM - 0-10V Dimming option⁷
DALI - DALI Dimming option⁸
ES - Lutron® EcoSystem® Enabled Dimming⁹
DMX/RDM - DMX/RDM enabled¹⁰

5

Optics:

Asymmetric

WWLF - Asymmetric Wallwash optic, left feed²
WWRF - Asymmetric Wallwash optic, right feed²

Symmetric

8x8 - 8° x 8°³ **60x60** - 60° x 60°
10x10 - 10° x 10°³ **80x80** - 80° x 80°
30x30 - 30° x 30° **90x90** - 90° x 90°
35x35 - 35° x 35°

9

Option:

ETE - End-to-end configuration, 16" black input cable, no jumper cable needed
CRC - Corrosion-resistant coating for hostile environments
3GV - 3G ANSI C136.31 Vibration Rating¹¹
CE - CE (certification covers European Economic Area)

SPL - QUICK CONNECT

Notes:

¹ Not available for 1' [0.3m] fixture lengths. ² Right feeding side is standard unless otherwise specified. ³ For best results use with HO fixtures at a 6-inch (15cm) setback from surface. Contact factory for application support. ⁴ Suitable to use when **3GV** option is specified. ⁵ North American RAL colors specified with RAL number only are provided with a smooth/high-gloss finish. Please consult factory for other RAL textures and glosses, or to match alternate color charts. Final color matching results may vary. ⁶ Lumentalk system is enabled with LDB accessory for 1' [0.3m] fixture lengths, see Typical Wiring Diagrams pages for details. 1% minimum dimming value. ⁷ 10% minimum dimming value. Current Sink: 3mA/fixture, Current Source: 0.5mA/fixture. ⁸ 1% minimum dimming value. 1 DALI address per fixture. ⁹ Available for 2' RO [0.6m], 3' [0.9m] and 4' [1.2m] fixture lengths only. 1% minimum dimming value. 1 EcoSystem® address per fixture length. ¹⁰ 1% minimum dimming value. Fixtures set to by fixture resolution. 1 DMX address per fixture. ¹¹ Available with **UMP** and **UMAS** mounting options only.

13/13

2017.07.21
 MAG - R65

© Copyright Lumenpulse 2017
 1751 Richardson, Suite 1505
 Montreal (Quebec) Canada
 H3K 1G6

1.877.937.3003
 P.514.937.3003
 F.514.937.6289
 info@lumenpulse.com
 www.lumenpulsegroup.com

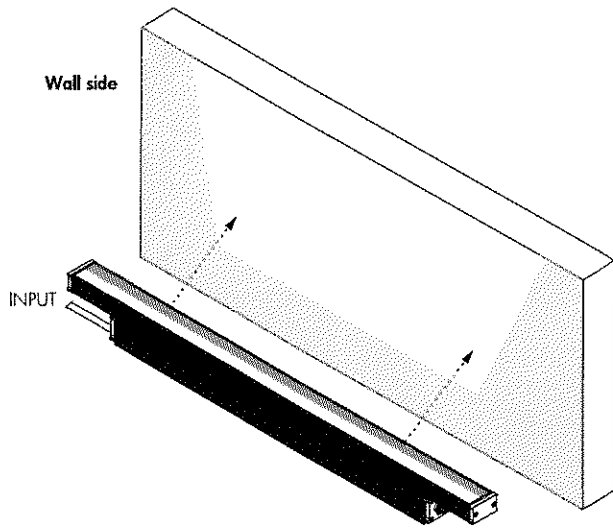
5-year limited warranty.

Consult www.lumenpulsegroup.com
 for our complete Standard Terms
 and Conditions of Sales.

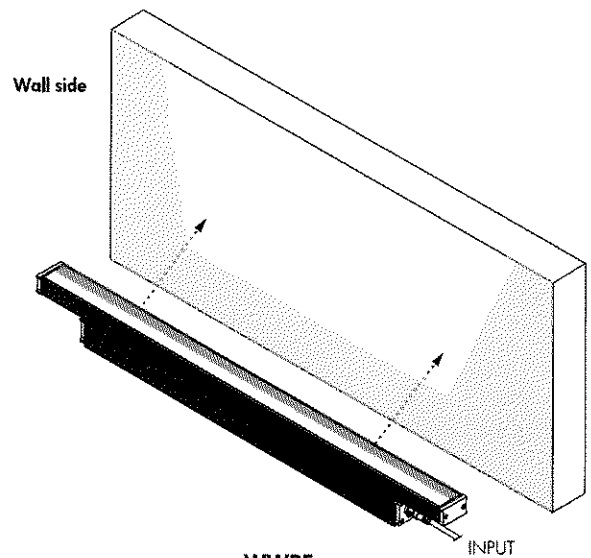
lumenpulse™
 GROUP

Lumenpulse reserves the right to make changes to this product at any time
 without prior notice and such modification shall be effective immediately.

ASYMMETRIC WALLWASH OPTIC FEEDING SIDE DETAIL

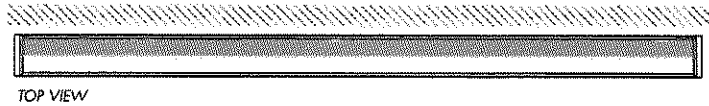


WWLF
Asymmetric Wallwash Optic, Left Feed



WWRF
Asymmetric Wallwash Optic, Right Feed

Always position frosted side toward the wall



TOP VIEW



FRONT VIEW



RIGHT SIDE VIEW
(Fixture pointing upwards)

*Fixture's feeding side is based on uplight installations. Feeding sides are reversed when fixture is used in a downlight application.

Recommended setback from wall is 1/10 of the wall height.

Example: 2ft [0.6m] setback for a 20ft [6m] wall.

Specification Sheet

lumenfacade™

WHITE & STATIC COLORS

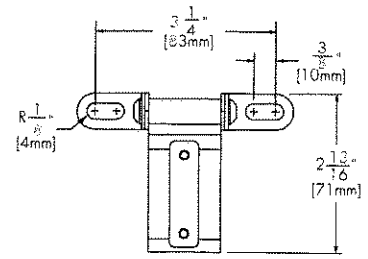
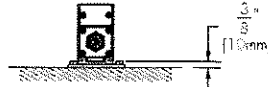
MOUNTING OPTIONS

Surface Mount

SAM
Slim Adjustable Mounting



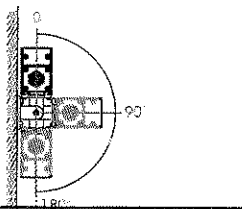
UMP
Fixed Mounting



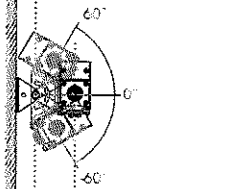
SAM
Mounting Hole Pattern

Wall Mount

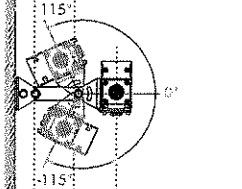
UMAS
Universal Adjustable Mounting



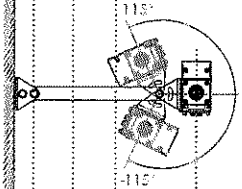
WAM2
Adjustable Wall Mounting 2"



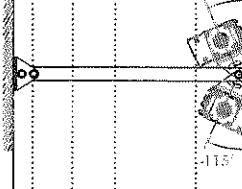
WAM6
Adjustable Extended Arm Mounting 6"



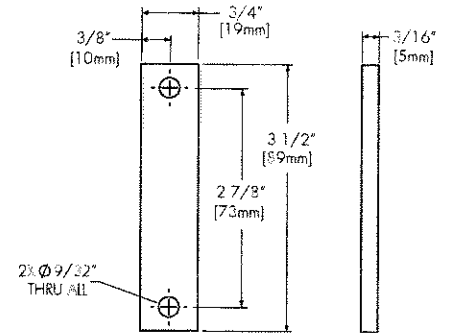
WAM12
Adjustable Extended Arm Mounting 12"



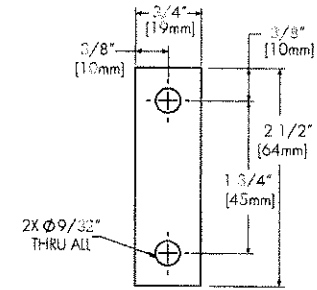
WAM18
Adjustable Extended Arm Mounting 18"



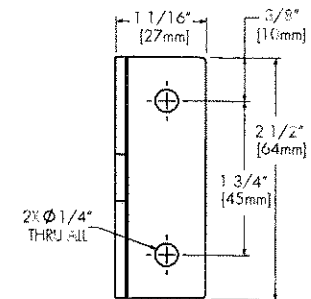
0 1 3/8" [35mm] 4 1/4" [109mm] 7 3/8" [187mm] 11 1/8" [340mm] 19 1/8" [492mm]



UMP
Mounting Hole Pattern



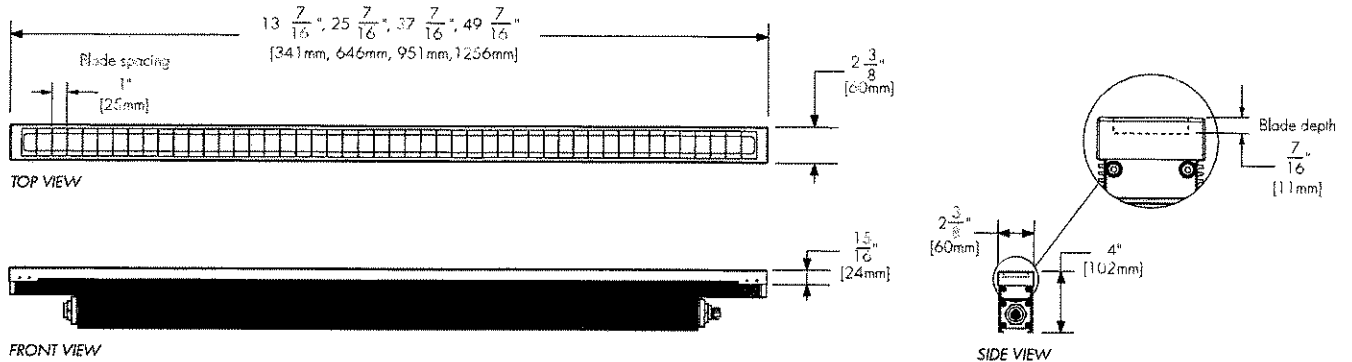
UMAS
Mounting Hole Pattern



WAM
Mounting Hole Pattern

LOUVER ACCESSORY INSTALLATION DETAIL

Not suitable for asymmetric wallwash optic

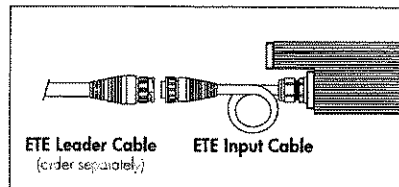


LOGRD

Radial Louver for Lumenfacade
(See page 6 for ordering code)

OPTION

ETE - End-to-end configuration,
16" black input cable,
no jumper cable needed.



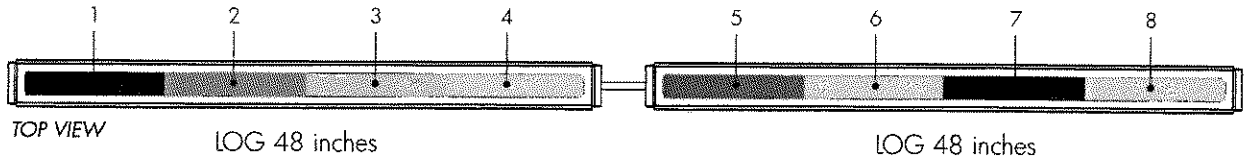
RESOLUTION DETAILS

Applicable for DMX/RDM control option only.

Fixture resolution can be configured on-site within the LumenID V3 software. A DMX/RDM enabled CBX is required.

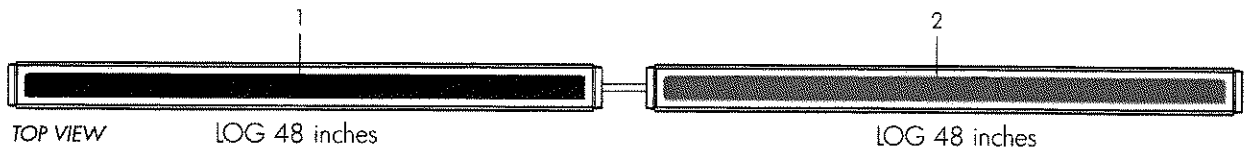
Resolution per foot: each foot is addressed independently

DMX ADDRESSES:



Resolution per fixture: each fixture is addressed independently

DMX ADDRESSES:



Optics:

10x10 - 10° x 10°

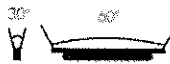
*For best results use with HO fixtures at a 6-inch (15cm) setback from surface. Contact factory for application support.



10x60 - 10° x 60°



30x60 - 30° x 60°



60x60 - 60° x 60°

