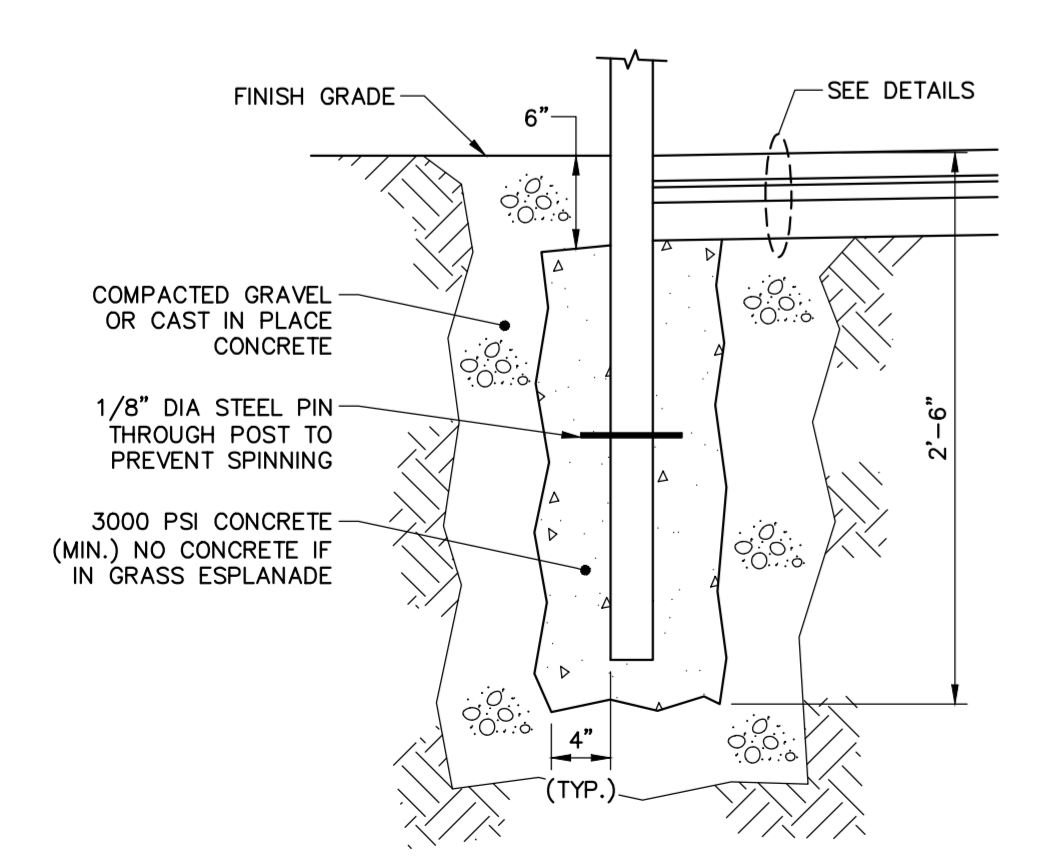
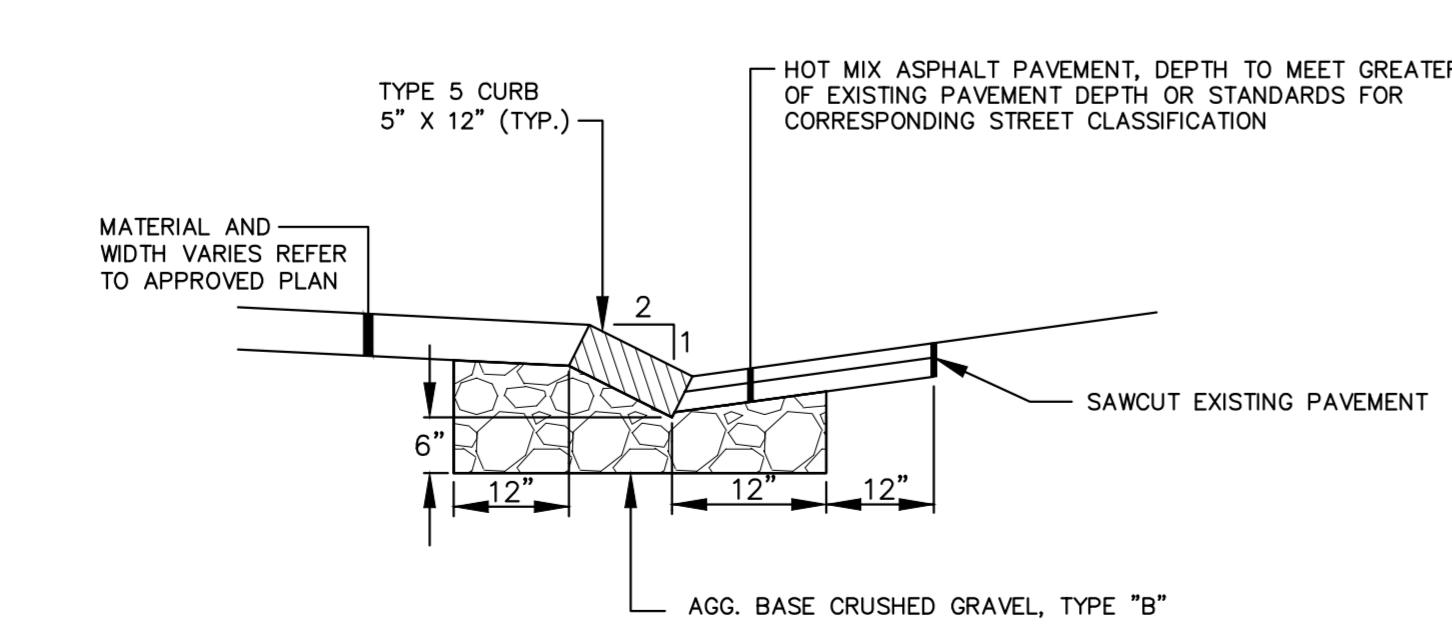


VALLEY STREET & "D" STREET INTERSECTION
SCALE: 1"=10'

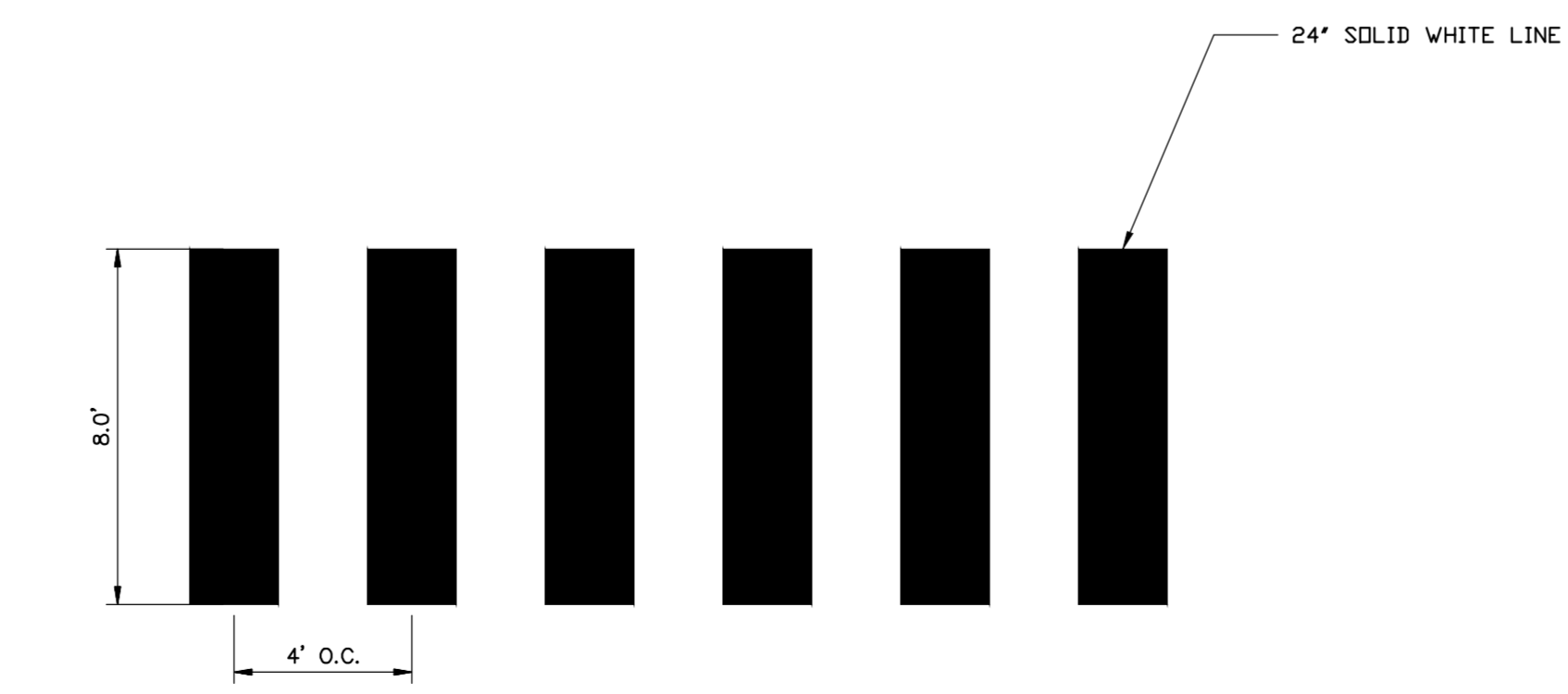


POST SPECIFICATION		
TYPE	HEIGHT ABOVE FIN. GRADE	POST MATERIAL
STREET SIGNAGE	7'-0"	GALV. STEEL

N.T.S.



SLOPED GRANITE CURB -
INSTALLATION IN EXISTING STREETS
N.T.S.
NOTE:
INDIVIDUAL PIECES OF CURB SHORTER THAN 4 LF. ARE NOT ALLOWED,
WITH THE EXCEPTION OF RADIAL CURB.



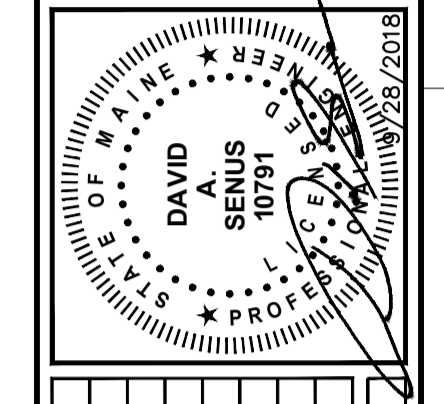
CROSSWALK WITH LONGITUDINAL LINES
N.T.S.

41 Hutchins Drive
Portland, Maine 04102
800.426.4262 | www.woodscorran.com

**WOODS
& SCORRAN**

COMMITMENT & INTEGRITY DRIVE RESULTS

PROFESSIONAL ENGINEERING, ARCHITECTURE, INTERIOR DESIGN, LANDSCAPE ARCHITECTURE, PLANNING, ENVIRONMENTAL SCIENCE, AND CONSTRUCTION MANAGEMENT SERVICES



NO.	DESCRIPTION	DATE	BY	CHKD.
1	CITY COORDINATION REVISION	10/12/2018		
2	PERMIT SET	12/28/2018		

DESIGNED BY: GUS
DRAWN BY: BOB
CHECKED BY: GUS

CIVIL DETAILS - 7

MAINE MEDICAL CENTER
BRANFALL STREET
PORTLAND, ME 04102

MMC ST. JOHN STREET
EMPLOYEE PARKING GARAGE

CITY OF PORTLAND
APPROVED SITE PLAN
SUBJECTS TO CONDITIONS OF APPROVAL
AND STANDARD CONDITIONS

C-206
9/11/18

DATE OF APPROVAL
PLANNER: Neil Donaldson
PROJECT NO. 000207-2018