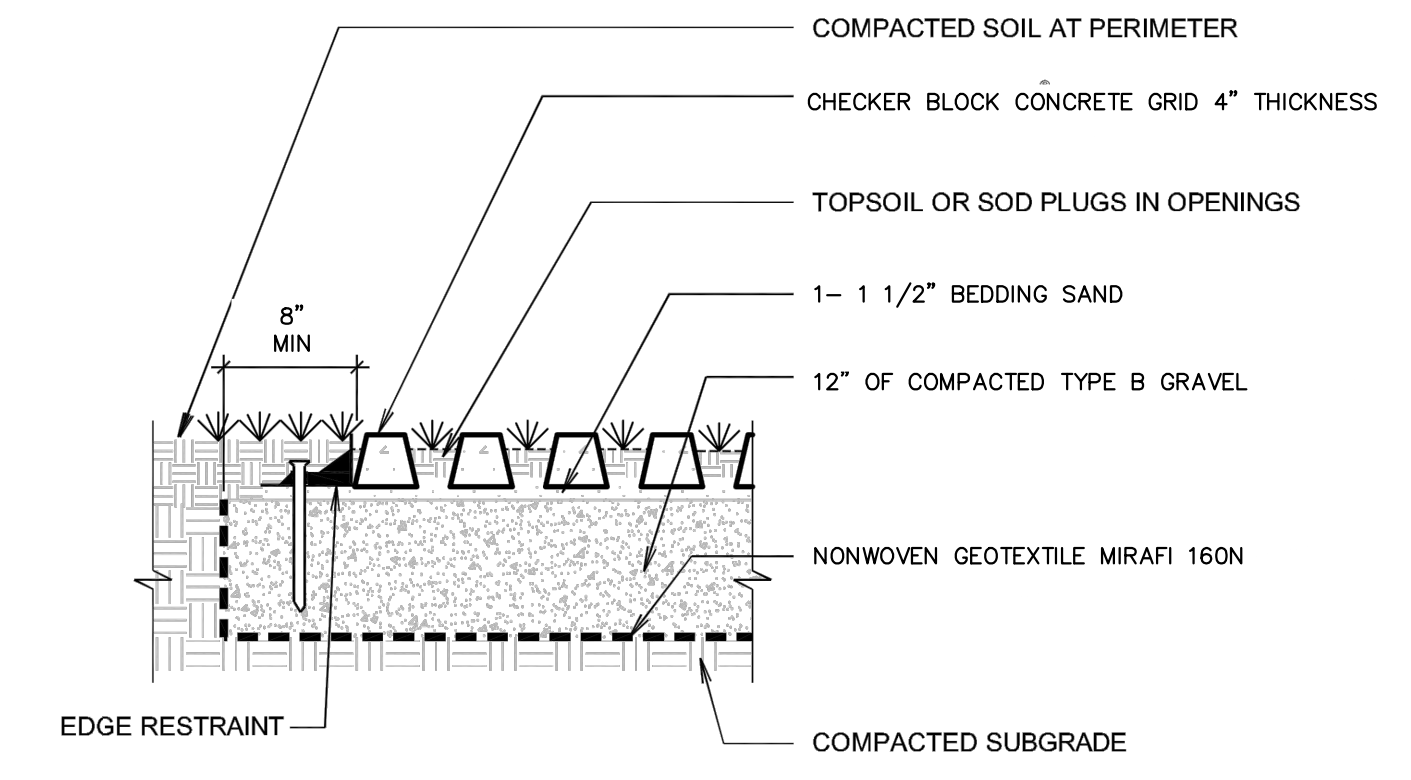
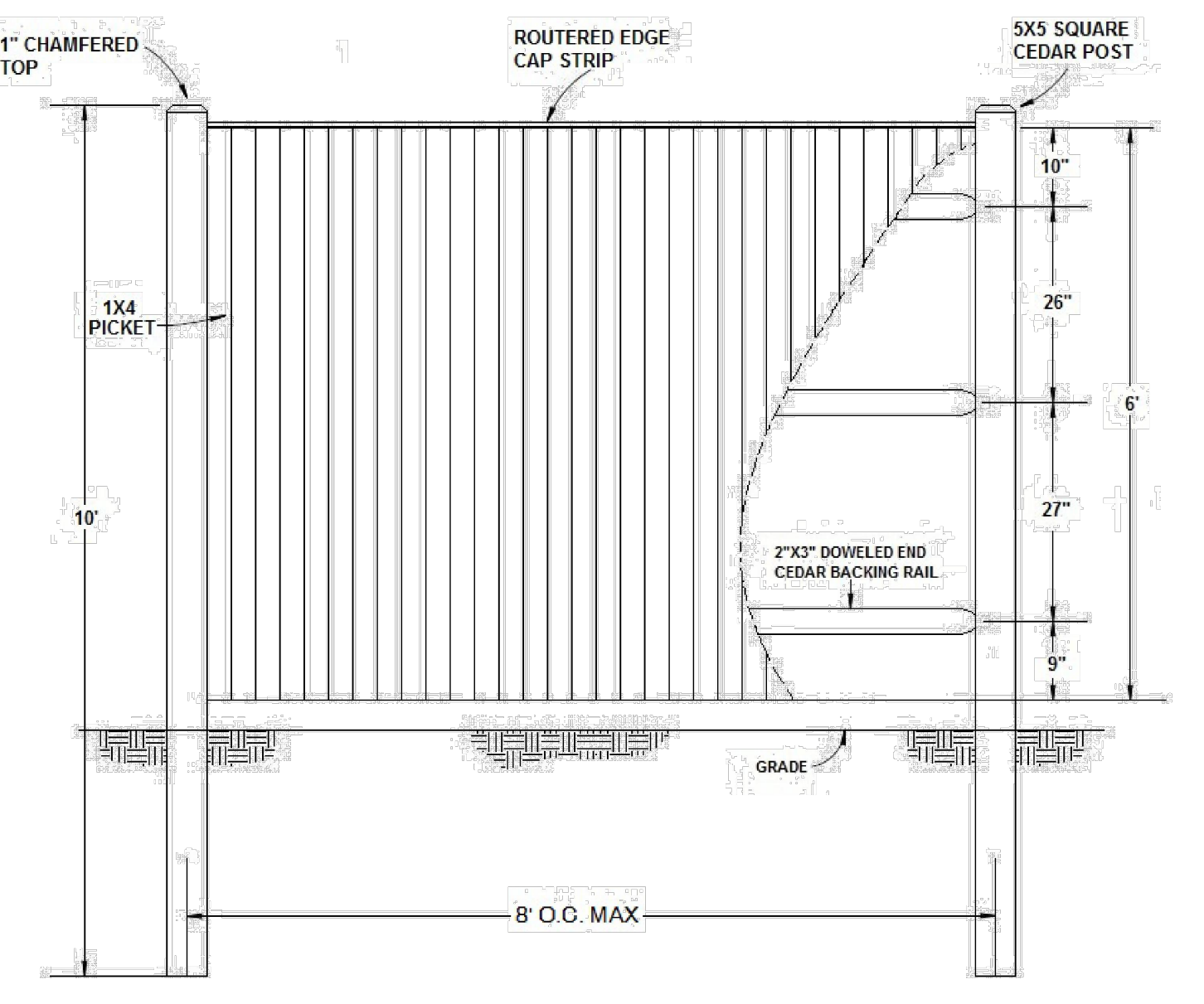


ST. JOHN STREET & "D" STREET INTERSECTION
SCALE: 1"=10'



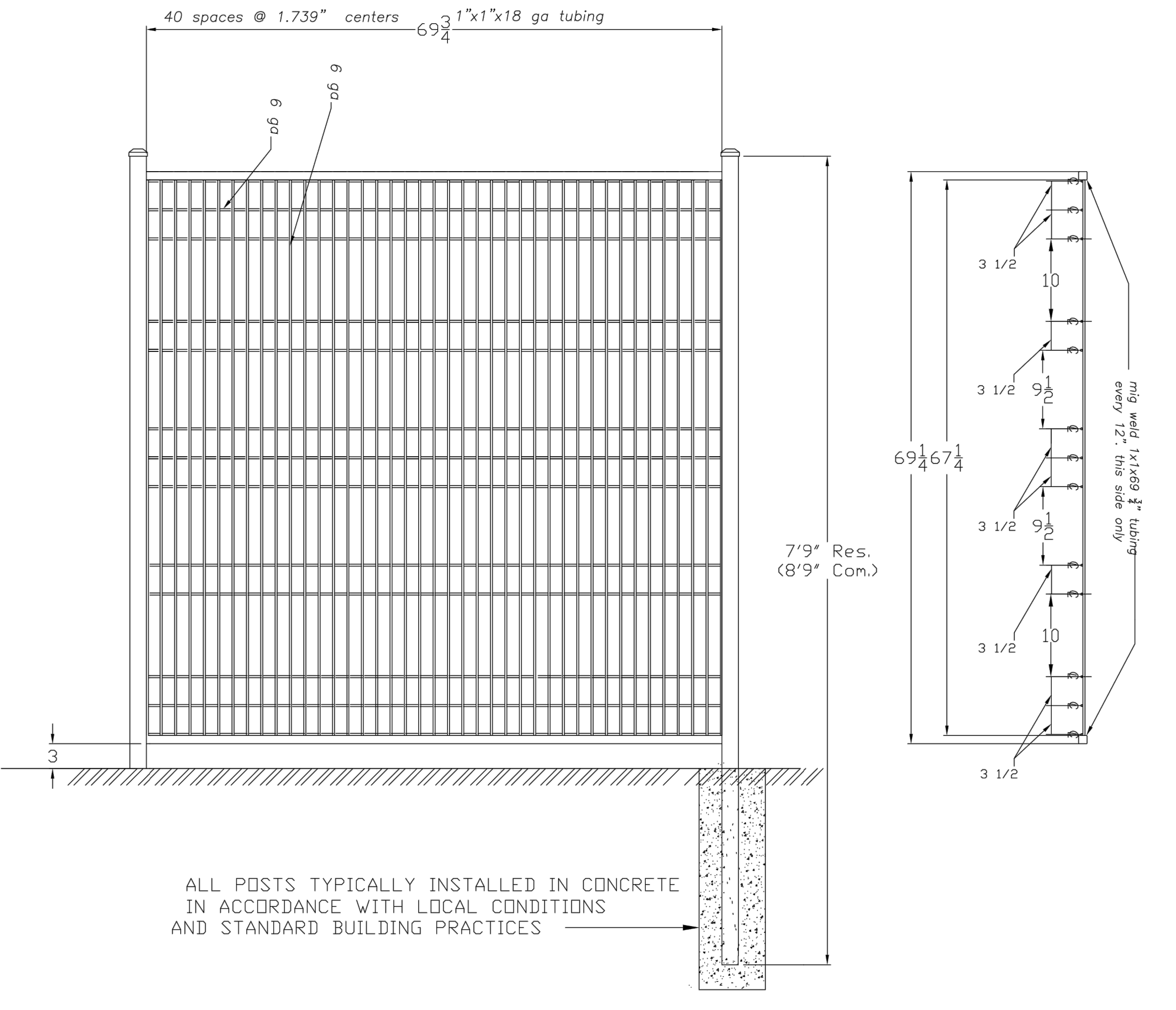
CHECKER BLOCK CONCRETE GRID DETAIL
N.T.S.



ORNAMENTAL STEEL FENCE DETAIL
N.T.S.

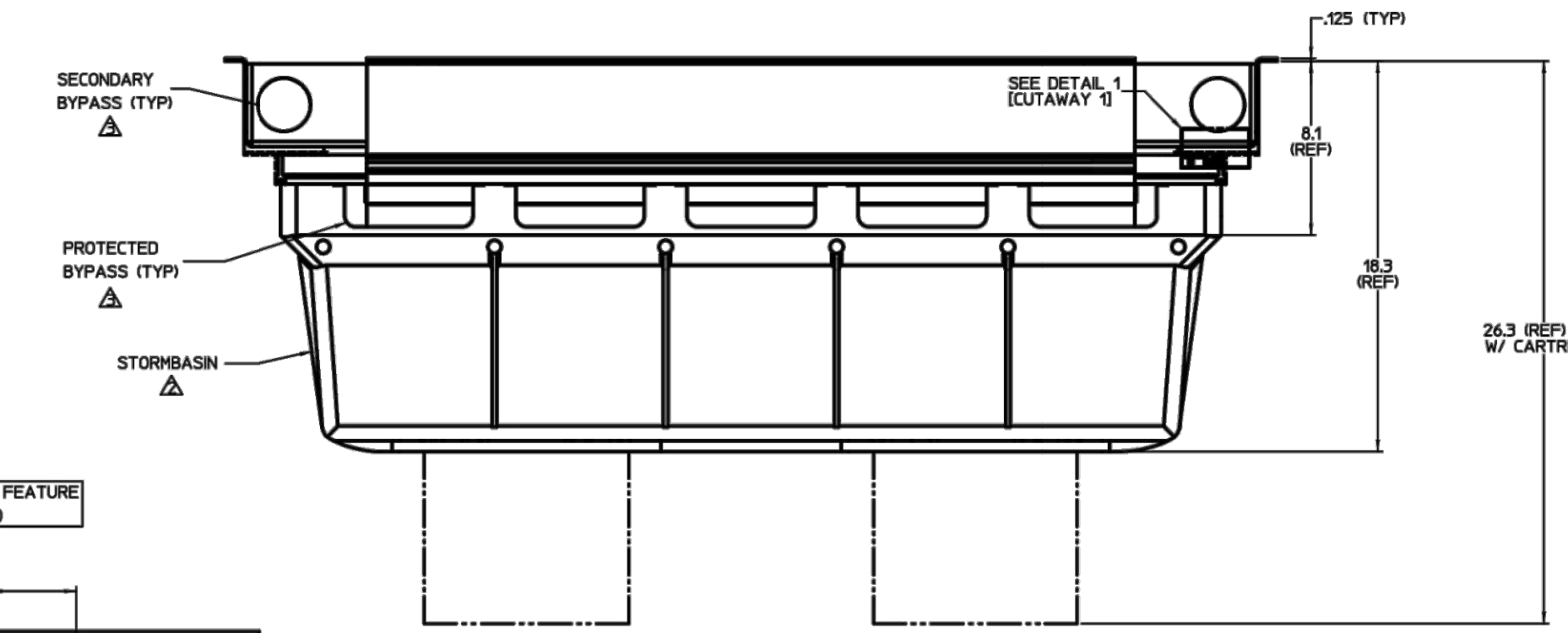
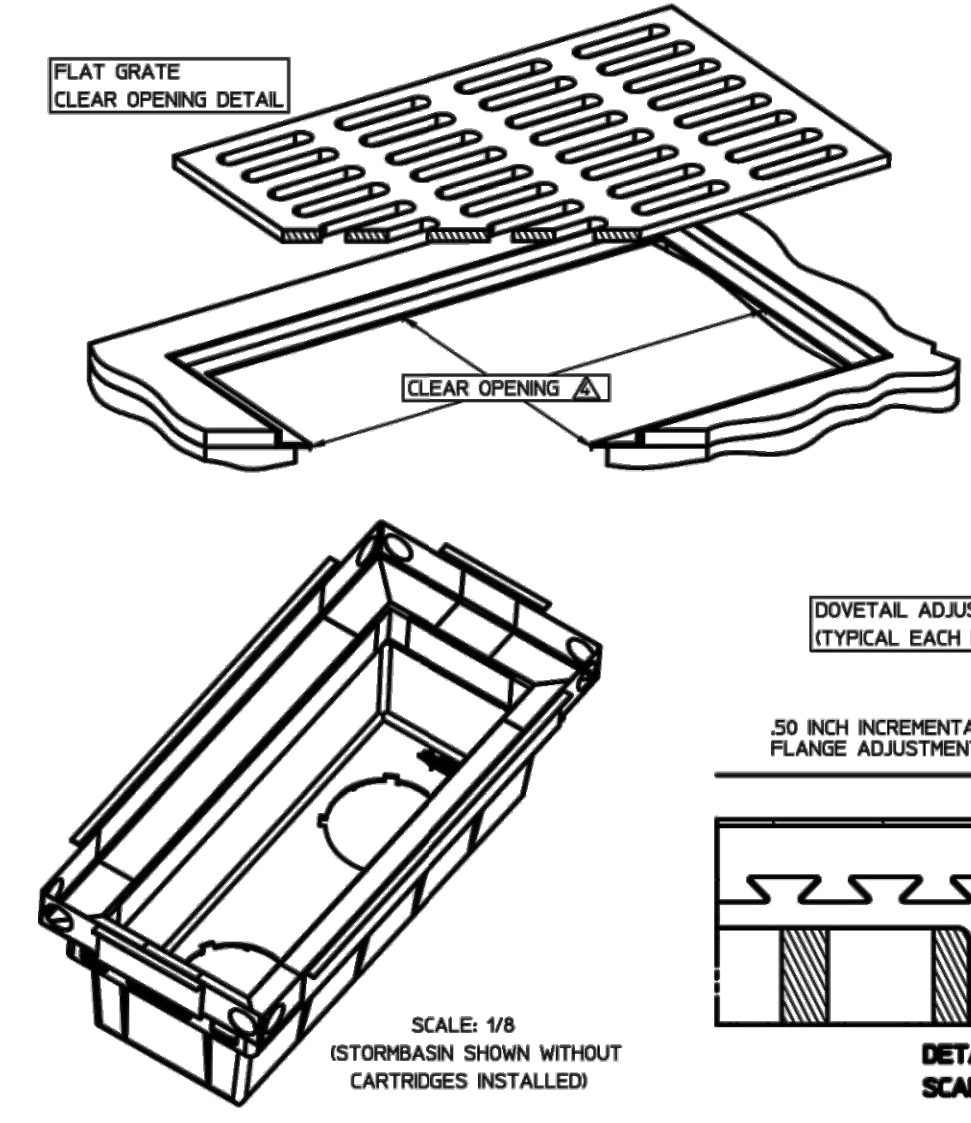
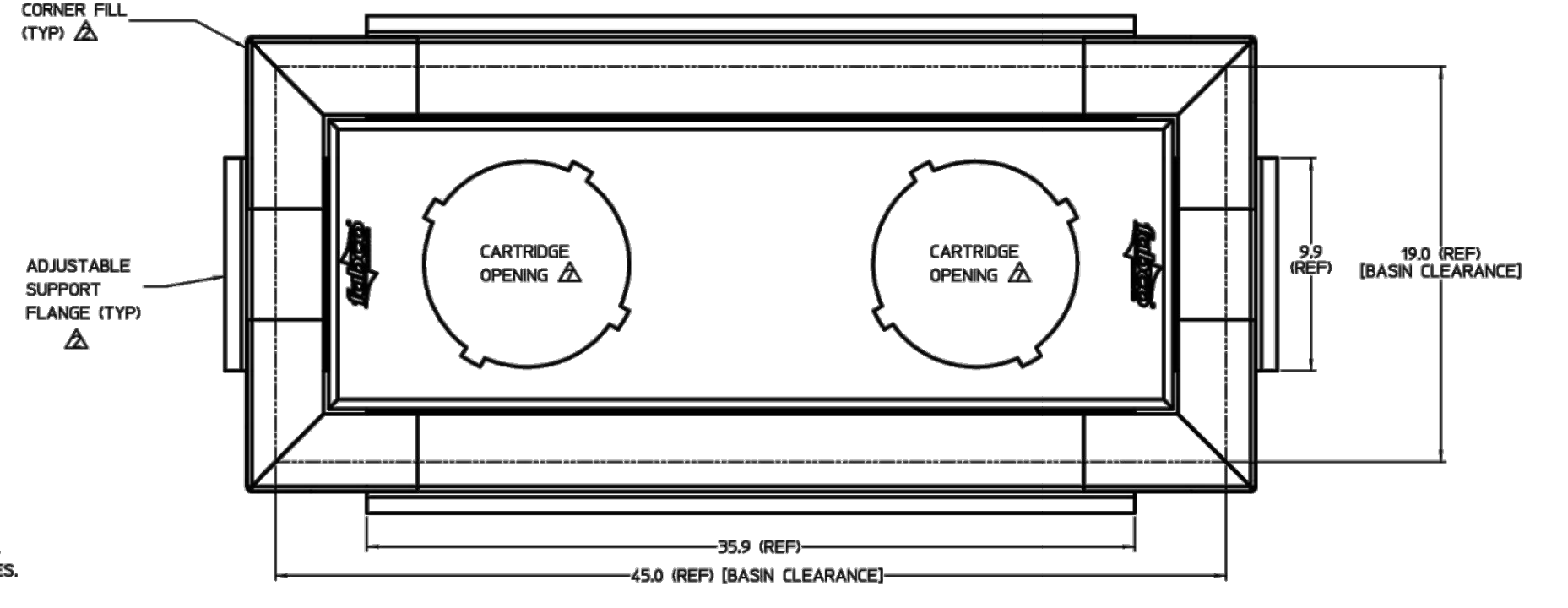
GENERAL NOTES:
1. ALL MATERIALS ARE PREMIUM, #1 GRADE CEDAR
2. ALL POSTS ARE "DIRECT BURIAL" SET AT AN APPROXIMATE DEPTH OF 4'- CONCRETE IS NOTE RECOMMENDED FOR BACKFILL

6-FOOT SOLID BOARD W/THINK CAP STRIP- CEDAR PRIVACY FENCE
N.T.S.

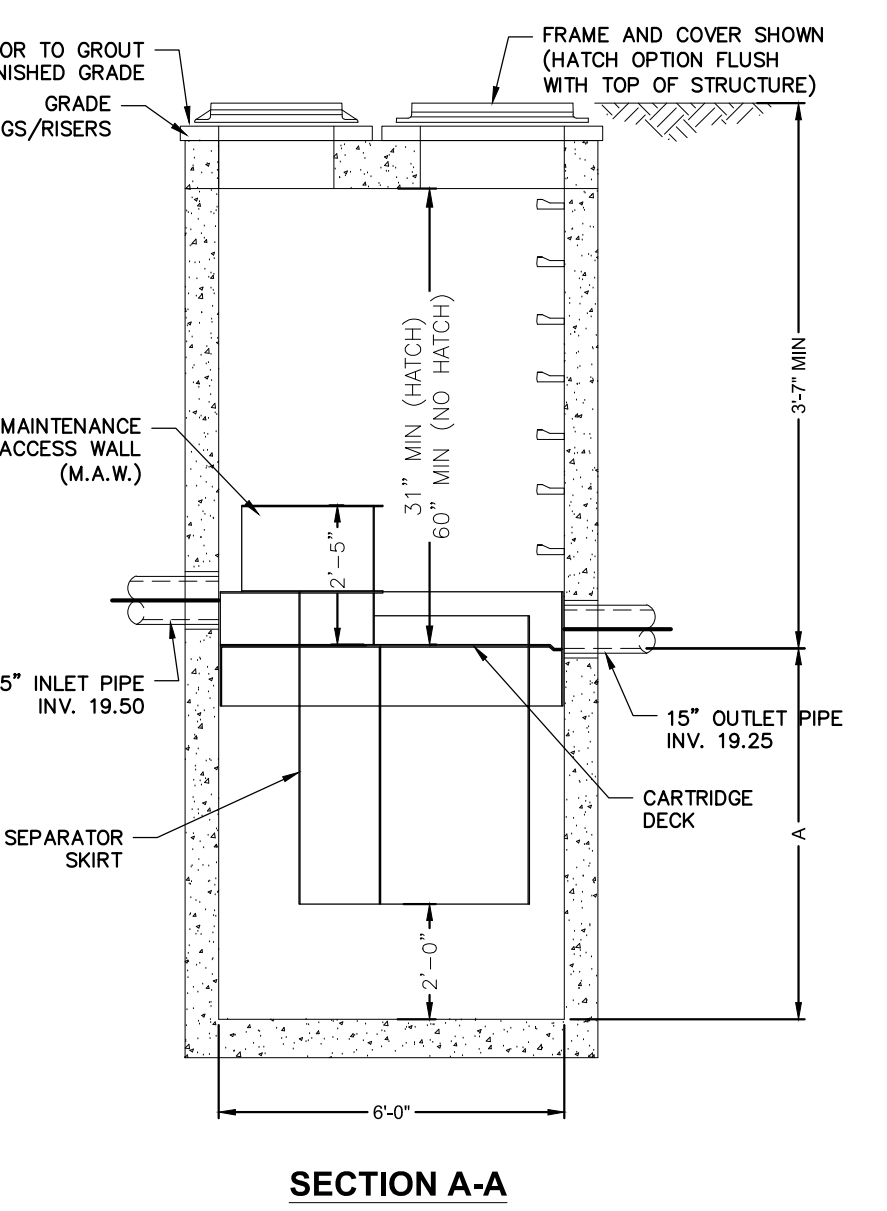
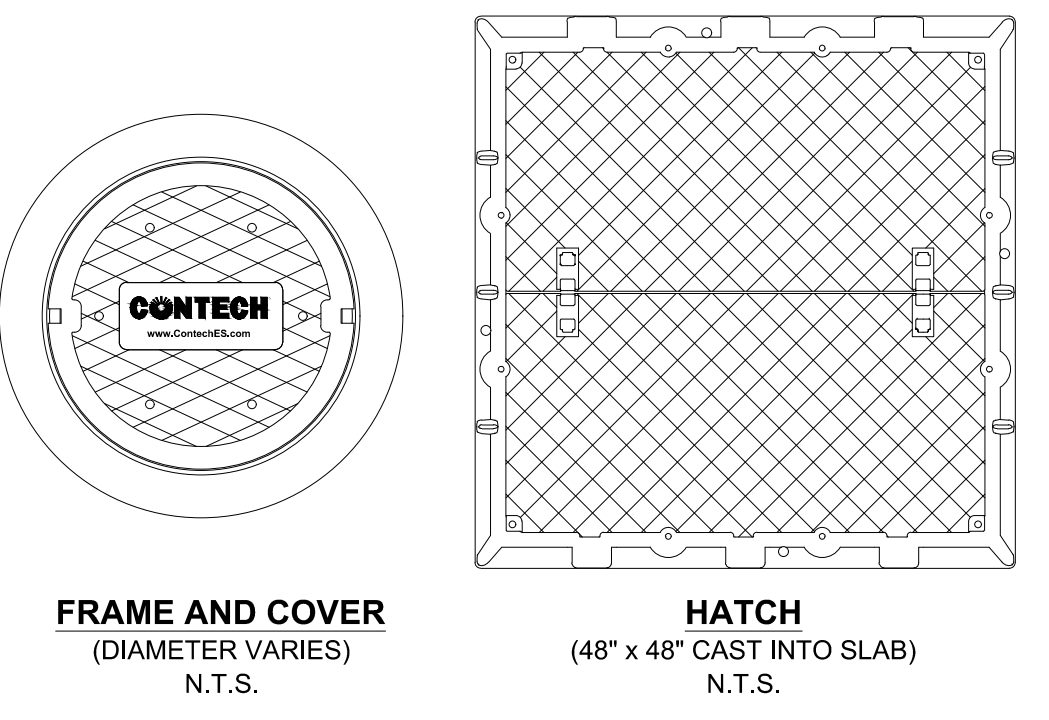
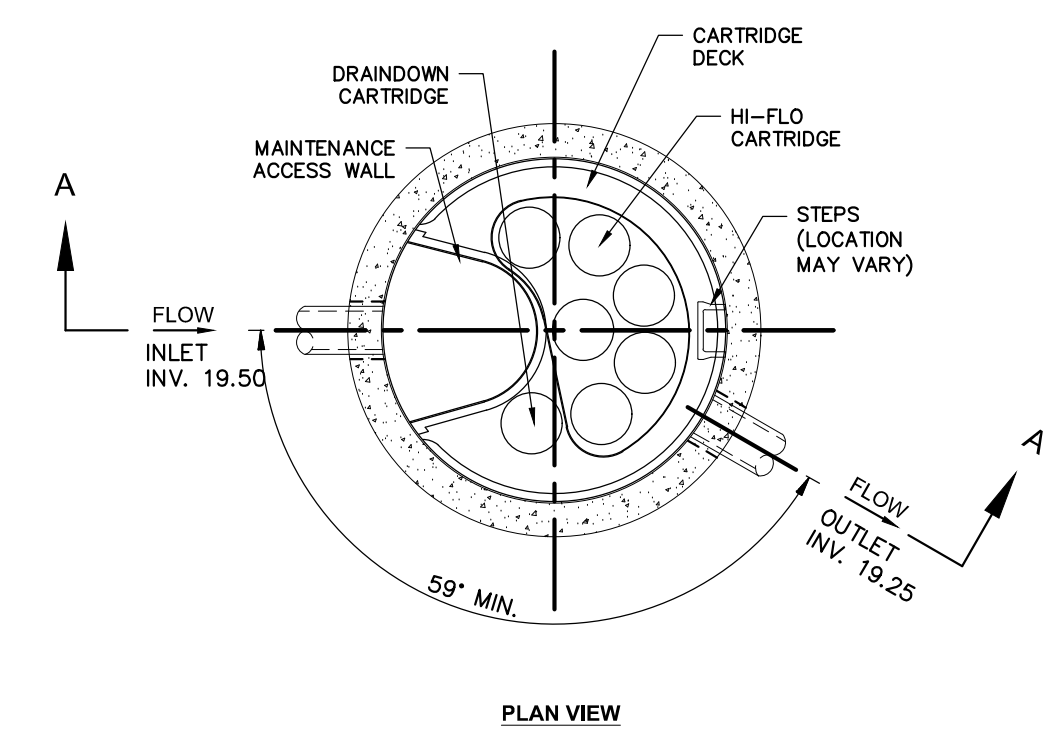


ALL POSTS TYPICALLY INSTALLED IN CONCRETE IN ACCORDANCE WITH LOCAL CONDITIONS AND STANDARD BUILDING PRACTICES

- NOTES:
- 1. WEIGHT (EMPTY): 50 LB MAX. NO CARTRIDGES
 - ▲ MATERIAL:
 - A) ADJUSTABLE FLANGE AND DEFLECTOR: ALUMINUM ALLOY 6063-T6
 - B) BASIN (PLASTIC): POLYPROPYLENE POLYETHYLENE COPOLYMER
 - C) CORNER FILL: ALUMINUM ALLOY 5052-H32
 - D) SUPPORT HARDWARE: CUES 300 SERIES
 - ▲ PERFORMANCE CHARACTERISTICS (TYP):
 - A) DEBRIS CAPACITY: 4.0 CU-FT
 - B) FILTERED FLOW RATE: STANDARD CARTRIDGES: 230 GPM (51 CFS)
 - C) TOTAL BYPASS FLOW RATE: 225 GPM (5.2 CFS)
 - ▲ CLEAR OPENING RANGE (0.5 INCH INCREMENTS):
 - A) MINIMUM SIZE: 19.0 X 45.0
 - B) MAXIMUM SIZE: 24.0 X 50.0
 - ▲ RECOMMENDED MINIMUM VAULT DEPTH: 2'-4\"/>



FABCO STORMBASIN, TYPE C FLANGE
N.T.S.



CONTECH JELLYFISH FILTER DETAIL
N.T.S.

- GENERAL NOTES:
- CONTECH TO PROVIDE ALL MATERIALS UNLESS NOTED OTHERWISE.
 - FOR SITE SPECIFIC DRAWINGS WITH DETAILED STRUCTURE DIMENSIONS AND WEIGHT, PLEASE CONTACT YOUR CONTECH ENGINEERED SOLUTIONS REPRESENTATIVE. www.conteches.com
 - JELLYFISH WATER QUALITY STRUCTURE SHALL BE IN ACCORDANCE WITH ALL DESIGN DATA AND INFORMATION CONTAINED IN THIS DRAWING. CONTRACTOR TO CONFIRM STRUCTURE MEETS REQUIREMENTS OF PROJECT.
 - STRUCTURE SHALL MEET ASHTO HS-20 OR PER APPROVING JURISDICTION REQUIREMENTS, WHICHEVER IS MORE STRINGENT, ASSUMING EARTH COVER OF 0' - 3' AND GROUNDWATER ELEVATION AT, OR BELOW, THE OUTLET PIPE INVERT ELEVATION. ENGINEER OF RECORD TO CONFIRM ACTUAL GROUNDWATER ELEVATION. CASTINGS SHALL MEET ASHTO M305 LOAD RATING AND BE CAST WITH THE CONTECH LOGO.
 - STRUCTURE SHALL BE PRECAST CONCRETE CONFORMING TO ASTM C-478 AND ASHTO LOAD FACTOR DESIGN METHOD.
 - NO PRODUCT SUBSTITUTIONS SHALL BE ACCEPTED UNLESS SUBMITTED 10 DAYS PRIOR TO PROJECT BID DATE, OR AS DIRECTED BY THE ENGINEER OF RECORD.
- INSTALLATION NOTES:
- ANY SUB-BASE, BACKFILL DEPTH, AND/OR ANTI-FLOTATION PROVISIONS ARE SITE-SPECIFIC DESIGN CONSIDERATIONS AND SHALL BE SPECIFIED BY ENGINEER OF RECORD.
 - CONTRACTOR TO PROVIDE EQUIPMENT WITH SUFFICIENT LIFTING AND REACH CAPACITY TO LIFT AND SET THE STRUCTURE (LIFTING CLUTCHES PROVIDED).
 - CONTRACTOR WILL INSTALL AND LEVEL THE STRUCTURE, SEALING THE JOINTS, LINE ENTRY AND EXIT POINTS (NON-SHRINK GROUT WITH APPROVED WATERSTOP OR FLEXIBLE BOOT).
 - CONTRACTOR TO TAKE APPROPRIATE MEASURES TO PROTECT CARTRIDGES FROM CONSTRUCTION-RELATED EROSION RUNOFF.
 - CARTRIDGE INSTALLATION, BY CONTECH, SHALL OCCUR ONLY AFTER SITE HAS BEEN STABILIZED AND THE JELLYFISH UNIT IS CLEAN AND FREE OF DEBRIS. CONTACT CONTECH TO COORDINATE CARTRIDGE INSTALLATION WITH SITE STABILIZATION AT (866) 740-3318.

41 Hutchins Drive
Portland, Maine 04102
800.426.4362 | www.woodscorran.com

COMMITMENT & INTEGRITY DRIVE RESULTS

WOODSCORRAN

NO.	REVISION	DATE	DESCRIPTION
1	RESPONSE TO COMMENTS SUBMISSION	8/23/2018	
2	RESPONSE TO COMMENTS SUBMISSION	12/24/2018	

DESIGNED BY: CUS

DRAWN BY: BCU

DATE: 03/19/2019

MAINE MEDICAL CENTER
BRANFILL STREET
PORTLAND, ME 04102

MMC ST. JOHN STREET
EMPLOYEE PARKING GARAGE

JOB NO.: 0231158-00

DATE: JUNE 22, 2018

SCALE: AS NOTED

SHEET: 17 OF 17