

EROSION AND SEDIMENT CONTROL NOTES

Temporary Erosion Control

Contractor shall prepare and submit a soil erosion and water pollution control plan to engineer in accordance with section 656.

Measure	Dates For Use	Timing, Activity, and Location
Sedimentation Barrier	ALL	Before soil disturbance, install downhill of areas to be disturbed and around material stockpiles.
Up-slope Diversion	ALL	Before soil disturbance, install uphill of areas to be disturbed and around material stockpiles.
Catch Basin Protection	ALL	Before soil or pavement disturbance, install ACF Environmental, Inc. High Flow Siltsock, Siltsover Inlet Filter, or equal, installed per manufacturer's requirements.
Dust Control	ALL	During dry weather, apply water and calcium chloride to control dust.
Temporary Seeding	April 15 to Oct. 1	Soil stockpiles that are not covered and disturbed areas that will not be disturbed again within 14 days, if grass growth provides less than 95% soil coverage by Nov. 1, apply mulch and anchor with erosion control blanket.
Mulch	April 15 to Sept. 15	On all areas of exposed soil prior to rain events or every 30 days, apply 100-150 lbs (2.5 bales) per 1,000 sq. ft. by mechanical blower.
Winter Mulch	Sept. 16 to Oct. 31 Nov. 1 to April 14	On all areas of exposed soil prior to precipitation or every 30 days, apply 150 to 170 lbs. mulch (4 bales) per 1,000 sq. ft. by mechanical blower. Erosion control blanket may be used as a substitute for winter mulch. On all areas of exposed soil, apply 150 to 170 lbs. mulch (4 bales) per 1,000 sq. ft. and anchor with netting at the end of each seeding day. Erosion control blanket may be used as a substitute for winter mulch.
Inspections	Until site is permanently stabilized	Inspect the erosion and sedimentation control measures daily, and maintain and repair as necessary.

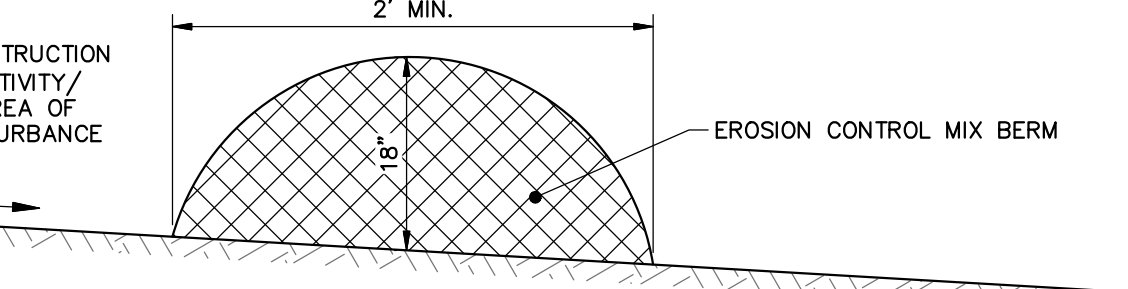
Permanent Erosion Control:

Measure	Dates For Use	Timing, Activity, and Location
Pavement - Base Course - Final Course	When no frost is in ground	Install only in areas shown on the plan, shortly after completion of project.
Permanent Seeding	April 15 to Sept. 15	On final grade areas, within 7 days of grade preparation, prepare topsoil, followed by seed and mulch application.
Dormant Seeding	Sept. 16 to April 15	On final grade areas, with prepared topsoil. Apply seed at double the specified rate on bare soil, and follow with an application of winter mulch.
Ground Cover, Trees, Shrubs	April 15 to Nov. 1	Install with final landscaping.
Permanent Mulch	ALL	Install with final landscaping.

Inspections:

Regular inspections of all erosion and sedimentation controls shall be made at least weekly and prior to and following storm events. Minimum inspections shall be made as listed in the table below.

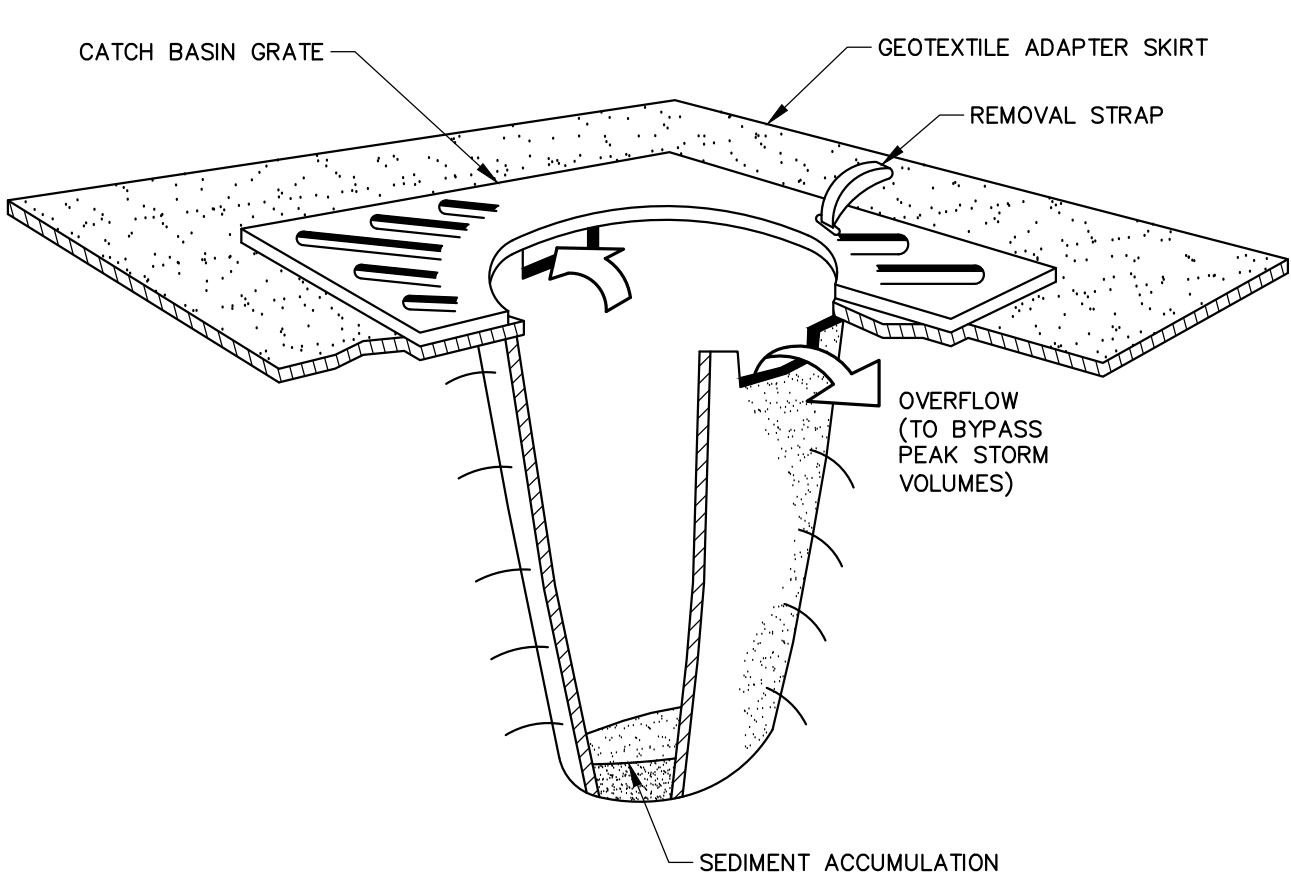
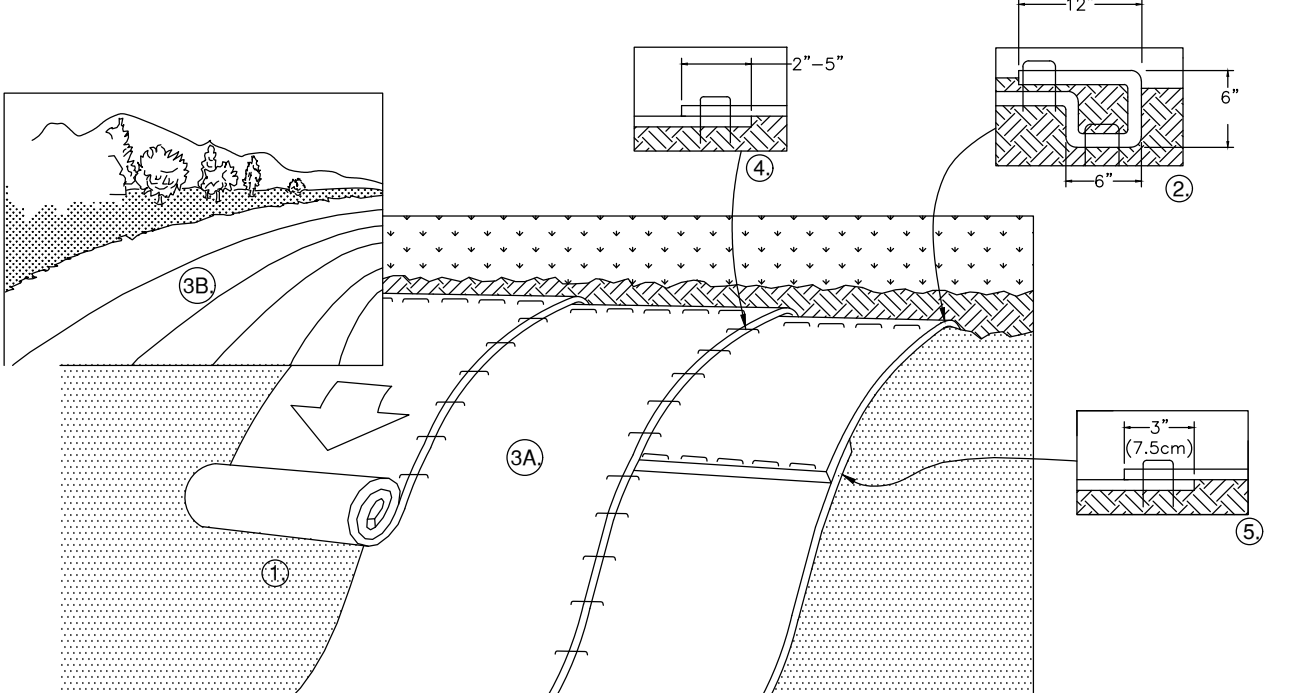
Inspected Item	Look For
Mulched Surfaces	Thin mulch or inadequate application. Wind movement.
Seeded Surfaces	Poor seed germination. Loss of mulch. Development of riviulets.
Sediment Barrier	Sediment build-up to one half the height of the barrier. Undermining of the barrier. Supporting stakes loose, toppled, or unmarked. Breaks in barrier.
Perimeter Diversion	Discharge is to stabilized area. Erosion or breaks in barrier. Supporting stakes loose, toppled or unmarked.
Catch Basin Protection	Sediment build-up and structure blockages. Slow flow/ponding water. Breaks in fabric or voids in barrier.
Dewatering Filter	Breaks in fabric or supporting structure. Slow flow, indicating high sediment build-up.
Construction Entrance	Sedimentation of roadways. Off-site dust complaints.



- NOTES:**
- EROSION CONTROL MIX CAN BE MANUFACTURED ON OR OFF THE PROJECT SITE. IT MUST CONSIST PRIMARILY OF ORGANIC MATERIAL AND MAY INCLUDE: SHREDDED BARK, STUMP GRINDINGS, COMPOSTED BARK, OR ACCEPTABLE MANUFACTURED PRODUCTS. WOOD AND BARK CHIPS, GROUND CONSTRUCTION DEBRIS OR REPROCESSED WOOD PRODUCTS WILL NOT BE ACCEPTABLE AS THE ORGANIC COMPONENT OF THE MIX.
 - EROSION CONTROL MIX SHALL CONTAIN A WELL-GRADED MIXTURE OF PARTICLE SIZES AND MAY CONTAIN ROCKS LESS THAN 4" IN DIAMETER. EROSION CONTROL MIX MUST BE FREE OF REFUSE, PHYSICAL CONTAMINANTS, AND MATERIAL TOXIC TO PLANT GROWTH. THE MIX COMPOSITION SHALL MEET THE FOLLOWING STANDARDS:
 - THE ORGANIC MATTER CONTENT SHALL BE BETWEEN 80 AND 100% DRY WEIGHT BASIS.
 - PARTICLE SIZE BY WEIGHT SHALL BE 100% PASSING A 6" SCREEN AND A MINIMUM OF 70% MAXIMUM OF 85% PASSING A 0.75" SCREEN.
 - THE ORGANIC PORTION NEEDS TO BE FIBROUS AND ELONGATED.
 - LARGE PORTIONS OF SILTS, CLAYS OR FINE SANDS ARE NOT ACCEPTABLE IN THE MIX.
 - SOLUBLE SALTS CONTENT SHALL BE < 4.0 MMHOS/CM.
 - THE PH SHOULD FALL BETWEEN 5.0 AND 8.0.

EROSION CONTROL MIX BERM

N.T.S.



NOTES:

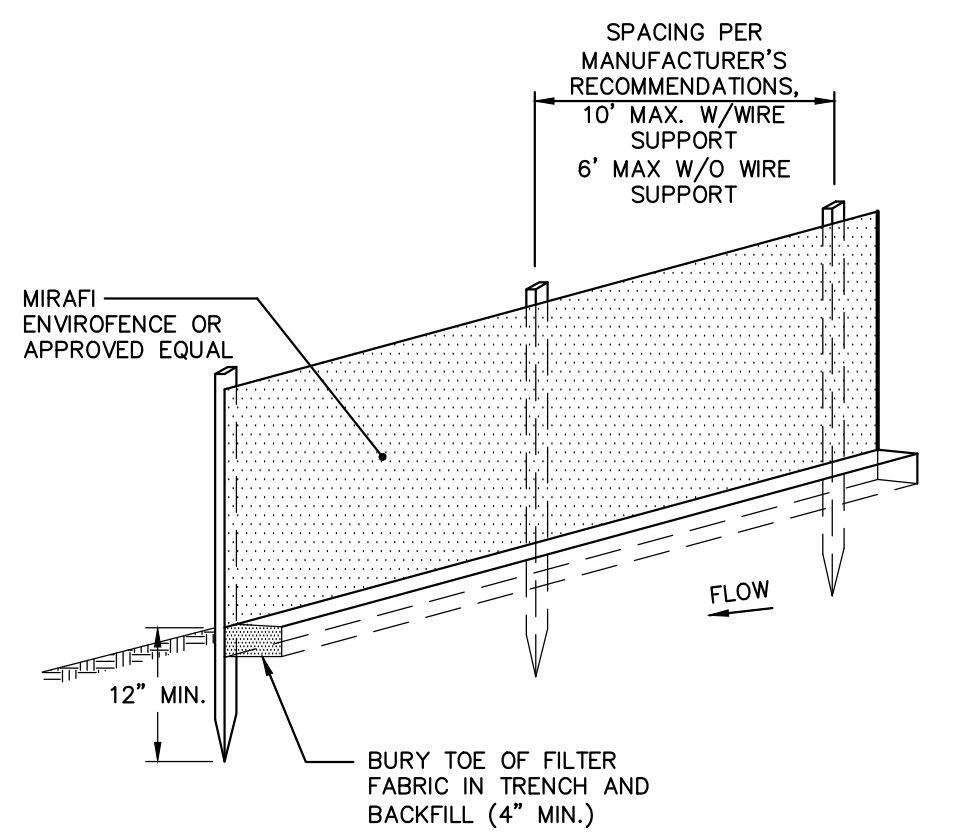
CATCH BASIN PROTECTION TO BE "SILT-SACK" (BY ACF ENVIRONMENTAL) OR "STREAM GUARD" (BY FOSS ENVIRONMENTAL SERVICES).

INSERT TO BE EMPTIED IN AN APPROVED MANNER WHEN IT IS 1/2 FULL OF SEDIMENT.

INSPECT INSERT AFTER ALL RAINFALL EVENTS, REPAIR AND MAINTAIN AS REQUIRED.

TEMPORARY INLET PROTECTION

N.T.S.



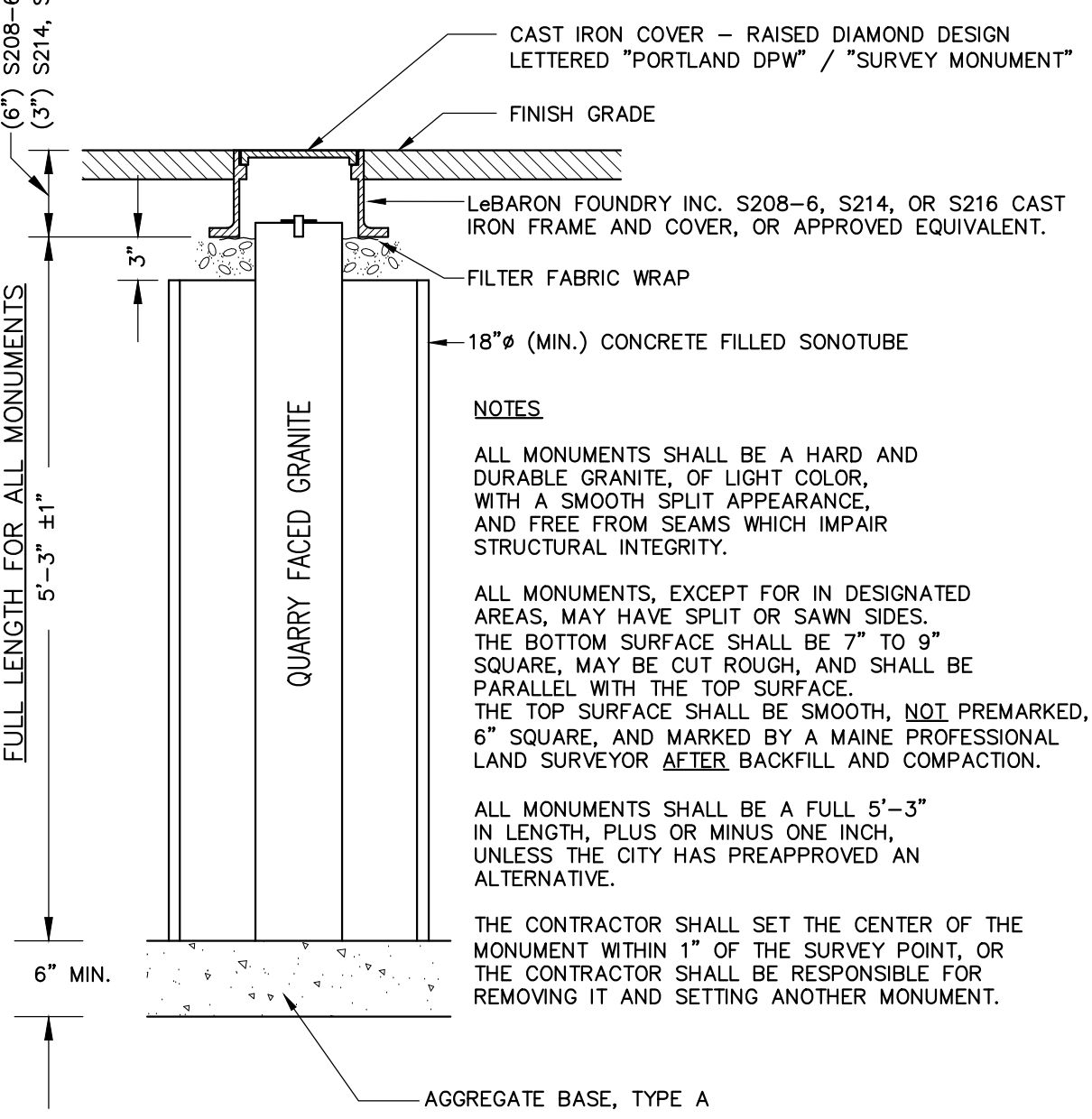
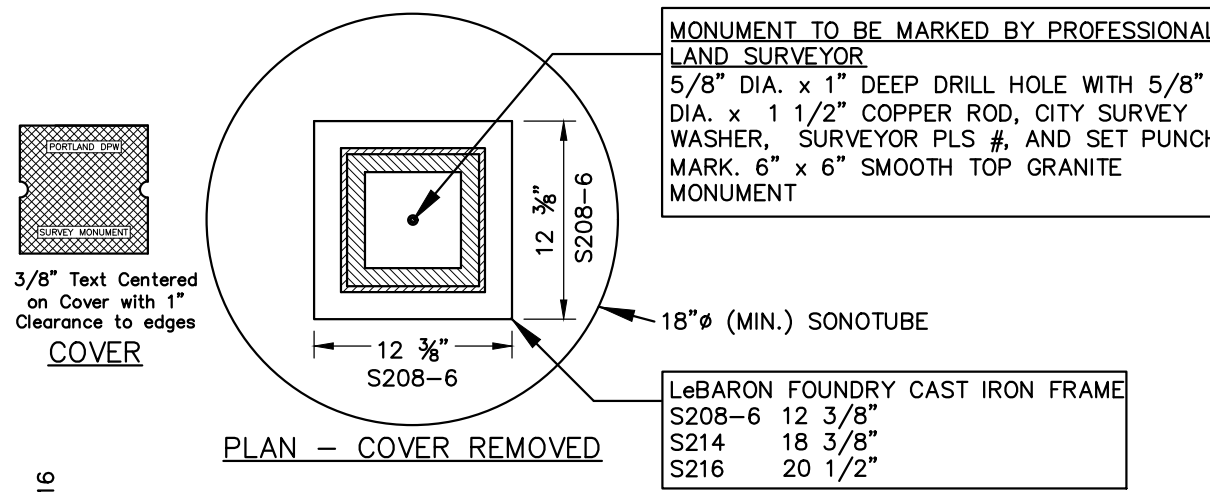
- NOTES:**
- INSTALL FABRIC ON UPHILL SIDE OF SUPPORT POSTS
 - INSTALL SILT FENCE ACROSS SLOPES
 - SILT FENCE SHALL NOT BE USED IN DRAINAGEWAYS

MAINTENANCE: INSPECT FOR TEARS IN THE FABRIC OR DAMAGE TO SUPPORTS. REPAIR AS NECESSARY. REMOVE ACCUMULATED SEDIMENT WHEN IT REACHES A DEPTH OF SIX-INCHES OR LESS.

REMOVAL: WHEN UPSLOPE AREAS ARE STABILIZED, THE STRUCTURE AND ANY ACCUMULATED SEDIMENT WILL BE REMOVED.

SEDIMENT BARRIER - SILTATION FENCE DETAIL

N.T.S.



GRANITE STREET MONUMENT

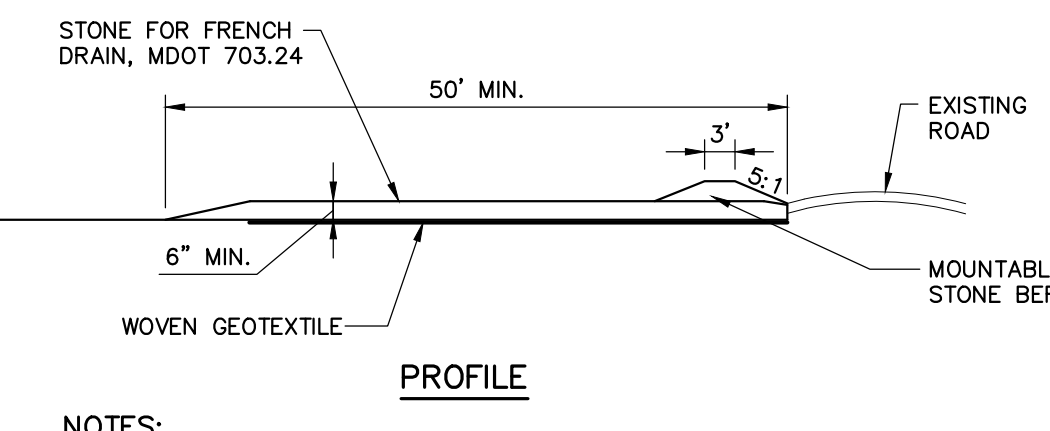
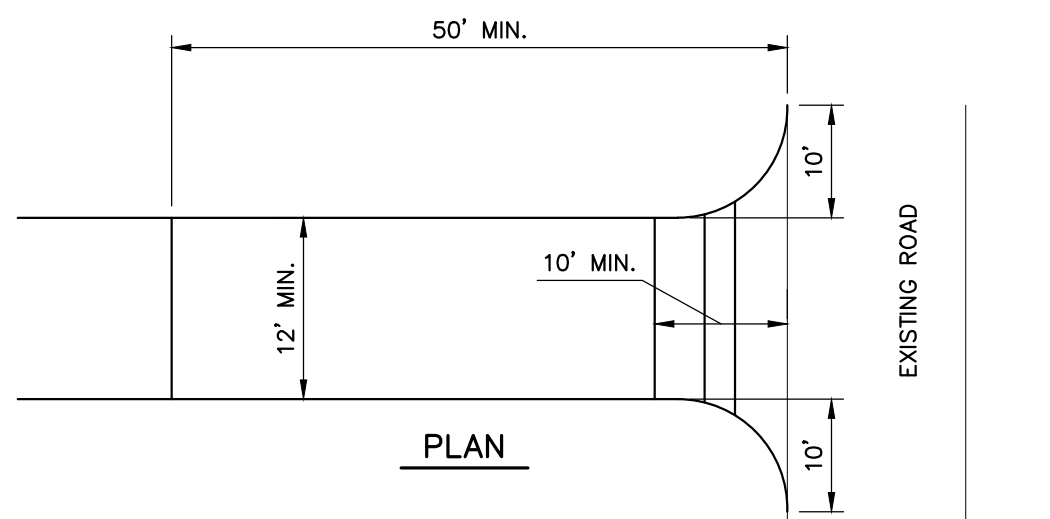
N.T.S.

NOTE: AGGREGATE TYPES PER MDT SECTION 304.02

- PREPARE SOIL BEFORE INSTALLING ROLLED EROSION CONTROL PRODUCTS (RECP'S), INCLUDING ANY NECESSARY APPLICATION OF LIME, FERTILIZER, AND SEED AS WELL AS REMOVING ANY PROTRUDING ROCKS, STUMPS OR ROOTS. DURING THE GROWING SEASON (APRIL 15 - SEPTEMBER 15) USE RECP'S ON THE BASE OF GRASSED WATERWAYS. SOIL SLOPES HAVING A GRADE GREATER THAN 15%, OR ANYWHERE WHERE HAY MULCH HAS PROVEN TO BE INEFFECTIVE AT CONTROLLING SHEET EROSION. RECP'S ARE A MANUFACTURED COMBINATION OF MULCH AND NETTING DESIGNED TO PREVENT EROSION AND RETAIN SOIL MOISTURE. FOR OVER WINTER PROTECTION, APPLY RECP'S ON THE BASE AND SIDE SLOPES OF GRASSED WATERWAYS AND ON SLOPES STEEPER THAN AN 8:1 GRADE.
- BEGIN AT THE TOP OF THE SLOPE BY ANCHORING THE RECP'S IN A 6" DEEP X 6" WIDE TRENCH WITH APPROXIMATELY 12" OF RECP'S EXTENDED BEYOND THE UPSLOPE PORTION OF THE TRENCH. ANCHOR THE RECP'S WITH A ROW OF STAPLES/STAKES APPROXIMATELY 12" APART IN THE BOTTOM OF THE TRENCH. BACKFILL AND COMPACT THE TRENCH AFTER STAPLING. APPLY SEED TO COMPACTED SOIL AND FOLD REMAINING 12" PORTION OF RECP'S BACK OVER SEED AND COMPACTED SOIL. SECURE RECP'S OVER COMPACTED SOIL WITH A ROW OF STAPLES/STAKES APPROXIMATELY 12" APART ACROSS THE WIDTH OF THE RECP'S.
- ROLL THE RECP'S (A) DOWN OR (B) HORIZONTALLY ACROSS THE SLOPE. RECP'S WILL UNROLL WITH APPROPRIATE SIDE AGAINST THE SOIL SURFACE. ALL RECP'S MUST BE SECURELY FASTENED TO SOIL SURFACE BY PLACING STAPLES/STAKES IN APPROPRIATE LOCATIONS AS SHOWN IN THE STAPLE PATTERN GUIDE. WHEN USING THE DOT SYSTEM, STAPLES/STAKES SHOULD BE PLACED THROUGH EACH OF THE COLORED DOTS CORRESPONDING TO THE APPROPRIATE STAPLE PATTERN.
- THE EDGES OF PARALLEL RECP'S MUST BE STAPLED WITH APPROXIMATELY 2" - 5" OVERLAP DEPENDING ON RECP'S TYPE.
- CONSECUTIVE RECP'S SPLICED DOWN THE SLOPE MUST BE PLACED END OVER END (SHINGLE STYLE) WITH AN APPROXIMATE 3" OVERLAP. STAPLES THROUGH OVERLAPPED AREA, APPROXIMATELY 12" APART ACROSS ENTIRE RECP'S WIDTH. NOTE: *IN LOOSE SOIL CONDITIONS, THE USE OF STAPLE OR STAKE LENGTHS GREATER THAN 6" MAY BE NECESSARY TO PROPERLY SECURE THE RECP'S.
- UNTIL GRASS IS ABUNDANT, INSPECT PERIODICALLY AND AFTER EACH RAINSTORM TO CHECK FOR EROSION. IMMEDIATELY REPAIR AND ADD MORE MULCH UNTIL GRASSES ARE FIRMLY ESTABLISHED. DO NOT MOW THE FIRST YEAR.

ROLLED EROSION CONTROL MATTING

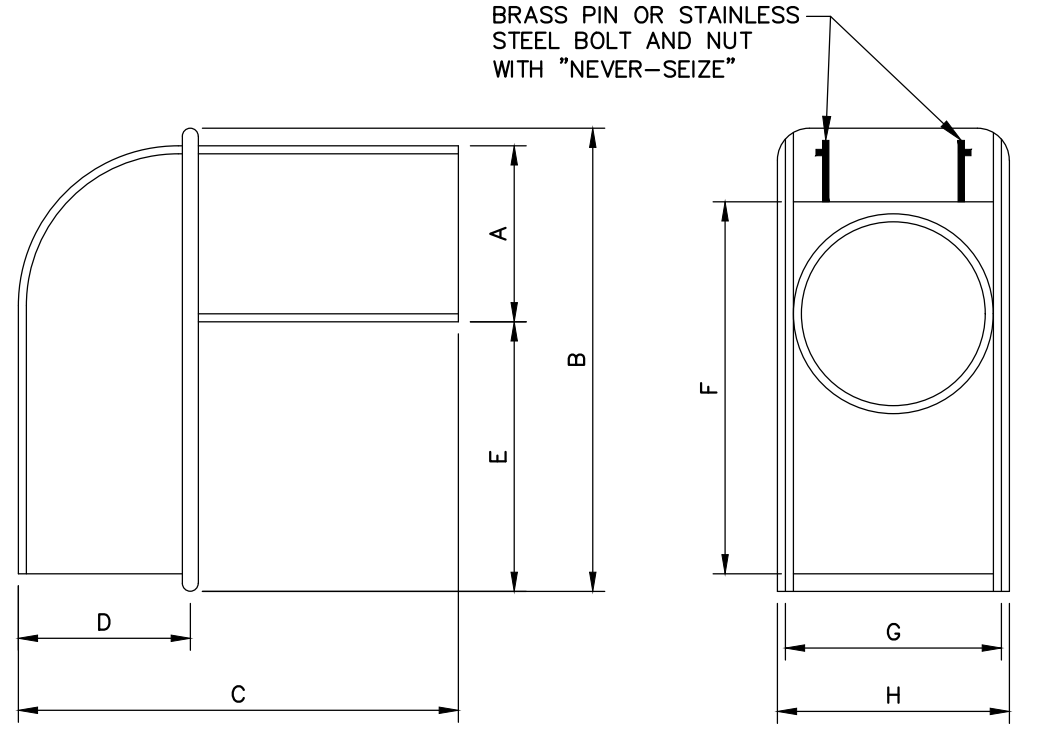
N.T.S.



- NOTES:**
- CONSTRUCTION ENTRANCES MAY BE RELOCATED AS CONSTRUCTION PROGRESSES.
 - WHEEL WASH PITS MAY ALSO BE USED, IF APPROVED.
- MAINTENANCE:** INSPECT FOR EFFECTIVE REMOVAL OF SOIL FROM VEHICLES PRIOR TO LEAVING THE SITE. SWEEP ANY SOIL FROM ADJACENT ROADWAYS.
- REMOVAL:** AT LEAST ONE CONSTRUCTION ENTRANCE SHALL BE MAINTAINED UNTIL ALL AREAS OF THE SITE ARE STABILIZED.

STABILIZED CONSTRUCTION ENTRANCE DETAIL

N.T.S.



SIZE	A	B	C	D	E	F	G	H
10"	9 1/2"	16"	16 1/4"	6"	4 1/2"	14 1/8"	11 1/2"	12 3/8"
15"	14 1/2"	22 1/2"	23"	10 1/4"	5 3/4"	21"	14 1/2"	15 3/4"

- NOTE:**
- CASCO TRAP SHALL BE CAST IRON CASCO TRAP BY ETHERIDGE FOUNDRY OR APPROVED EQUAL.
 - BOLT AND NUT REQUIRED WHERE HOOD WILL NOT OPEN COMPLETELY.
 - CASCO TRAP SHALL BE INSTALLED ON ALL CATCH BASIN OUTLET PIPES, INCIDENTAL TO COST OF CATCH BASIN.

CASCO TRAP DETAIL

N.T.S.

41 Hutchins Drive
Portland, Maine 04102
800.426.4882 | www.woodardcurran.com

COMMITMENT & INTEGRITY DRIVE RESULTS

WOODARD CURRAN

REPRODUCTION OR MODIFICATION OF ANY PART OF THIS DRAWING WITHOUT THE WRITTEN PERMISSION OF WOODARD CURRAN IS PROHIBITED.

NO.	DATE	DESCRIPTION	BY	CHKD
1	1/24/2018	RESPONSE TO COMMENTS SUBMISSION		
2	1/24/2018	DESIGNED BY: DMS		
3	1/24/2018	DRAWN BY: BGM		

CIVIL DETAILS - 1

NO.	DATE	DESCRIPTION	BY	CHKD
1	1/24/2018	RESPONSE TO COMMENTS SUBMISSION		
2	1/24/2018	DESIGNED BY: DMS		
3	1/24/2018	DRAWN BY: BGM		

MAINE MEDICAL CENTER
BRANFILL STREET
PORTLAND, ME 04102

MHC ST. JOHN STREET
EMPLOYEE PARKING GARAGE

JOB NO: 0231158-00
DATE: JUNE 22, 2018
SCALE: AS NOTED
SHEET: 12 OF 17