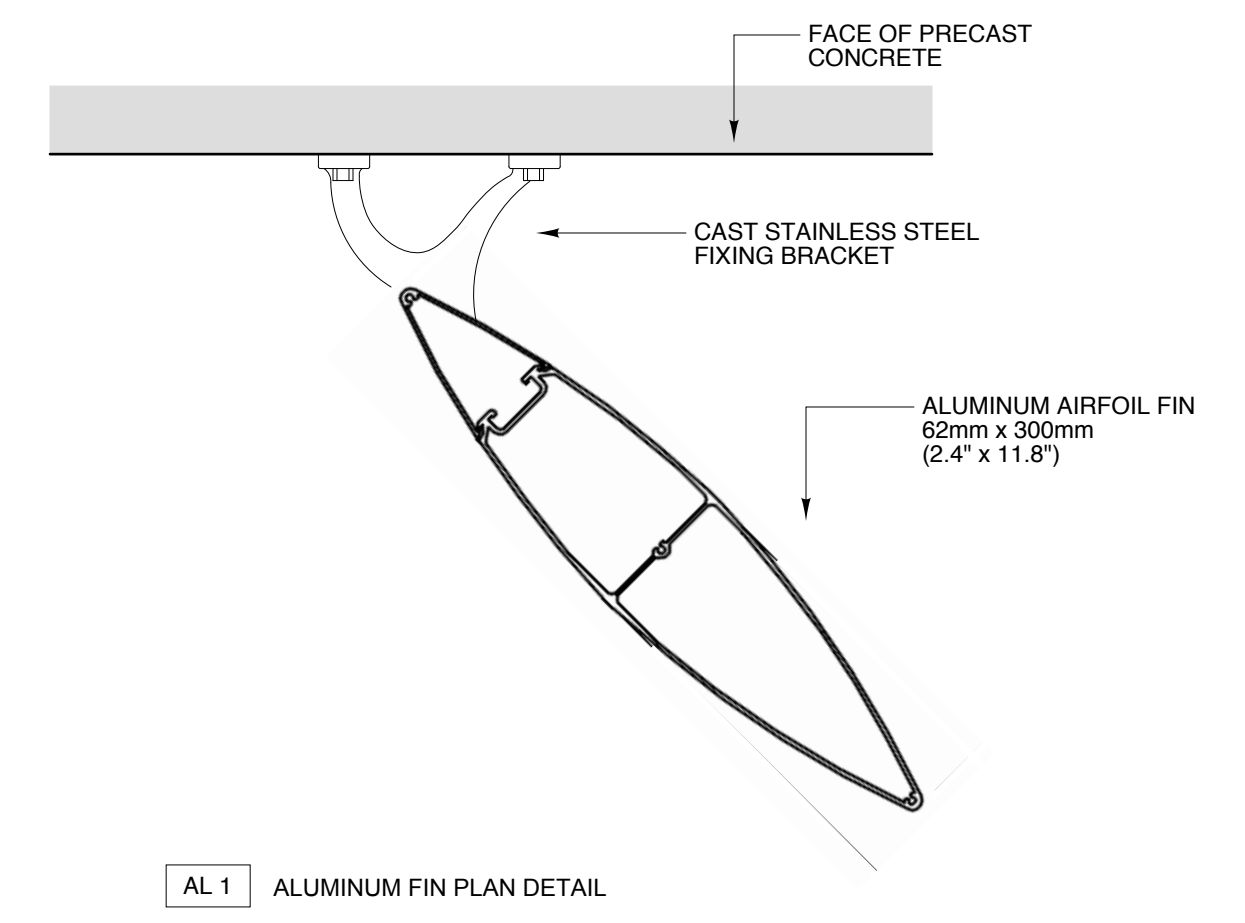
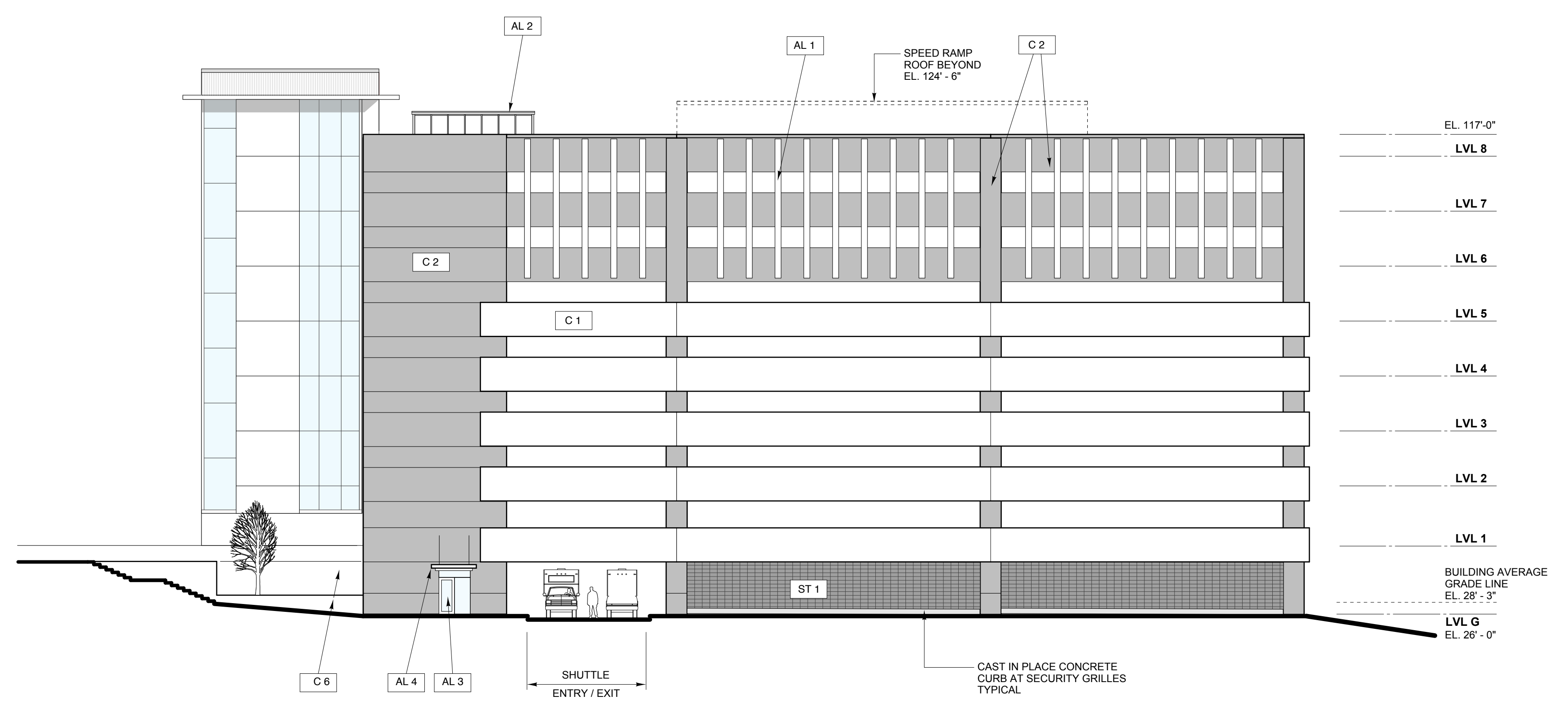


EAST ELEVATION
1/16" = 1' - 0"



ST 1 SECURITY GRILLE DETAIL



NORTH ELEVATION
1/16" = 1' - 0"

EXTERIOR MATERIALS LEGEND

- AL 1 ALUMINUM LIGHT-CONTROL FIN ASSEMBLY
- AL 2 ALUMINUM STOREFRONT FRAMED STAIR PENTHOUSE ENCLOSURE
- AL 3 CURTAINWALL - CLEAR GLASS / CLEAR ANODIZED ALUMINUM FRAMING
- AL 4 ALUMINUM ROOF EDGE TRIM
- AL 5 ALUMINUM SIDING EQUIPMENT SCREEN
- AL 6 ALUMINUM LOUVER
- C 1 PRECAST CONCRETE : WHITE WITH LIGHT SANDBLAST
- C 2 PRECAST CONCRETE : CHARCOAL GRAY WITH LIGHT SANDBLAST
- C 3 PRECAST CONCRETE PROJECTING CORNICE
- C 4 PRECAST CONCRETE COLUMNS : WHITE WITH LIGHT SANDBLAST
- C 5 PRECAST CONCRETE SMOOTH WALL PANEL
- C 6 CAST IN PLACE CONCRETE FOUNDATION / RETAINING WALL
- ST 1 SECURITY ENCLOSURE GRILLE : PREFINISHED STEEL BAR GRATING
- ST 2 PAINTED FLUSH HOLLOW METAL DOORS
- ST 3 PAINTED WELDED TUBE STEEL STILE AND RAIL DOOR AND FRAME

THIS DRAWING IS AN INSTRUMENT OF SERVICE AND SHALL REMAIN THE PROPERTY OF BECKER STRUCTURAL ENGINEERS INC. IT SHALL NOT BE REPRODUCED, COPIED, LENT OR LOANED OR DIRECTLY OR INDIRECTLY USED FOR ANY PURPOSE OTHER THAN THAT FOR WHICH IT IS SPECIFICALLY PROVIDED AND MUST BE RETURNED TO BECKER STRUCTURAL ENGINEERS INC. ON COMPLETION OF WORK, IF REQUESTED.

NOT FOR CONSTRUCTION
LEVEL III SITE PLAN APPLICATION
6 / 22 / 18

Appr'd	
Issued For	
Date	
Rev No	

MMC ST. JOHN ST PG
PORTLAND, ME
BUILDING ELEVATIONS

Designed	MMW	AS NOTED
Checked	MMW	4/10/18
Checked	MMW	4070.1

A 101