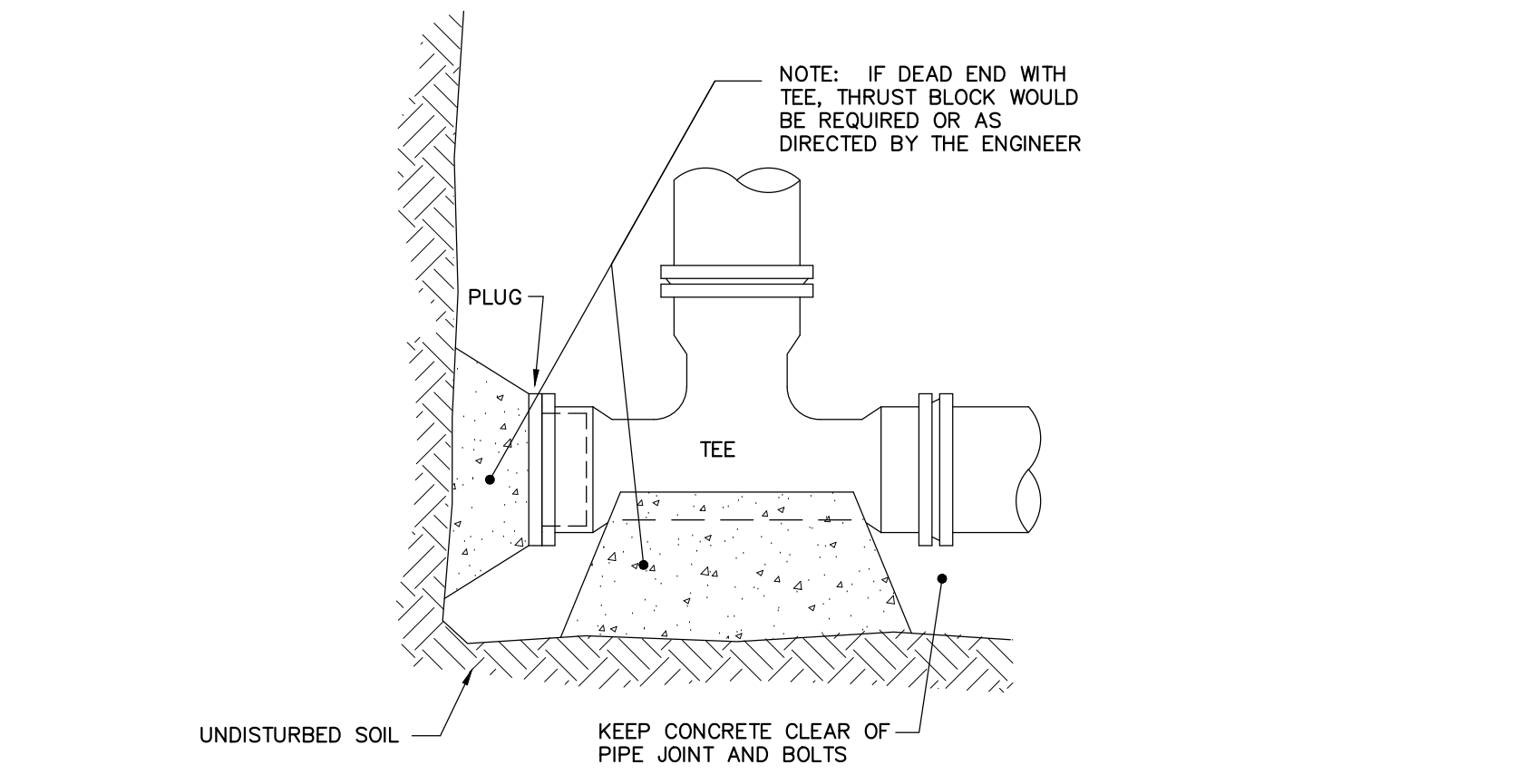
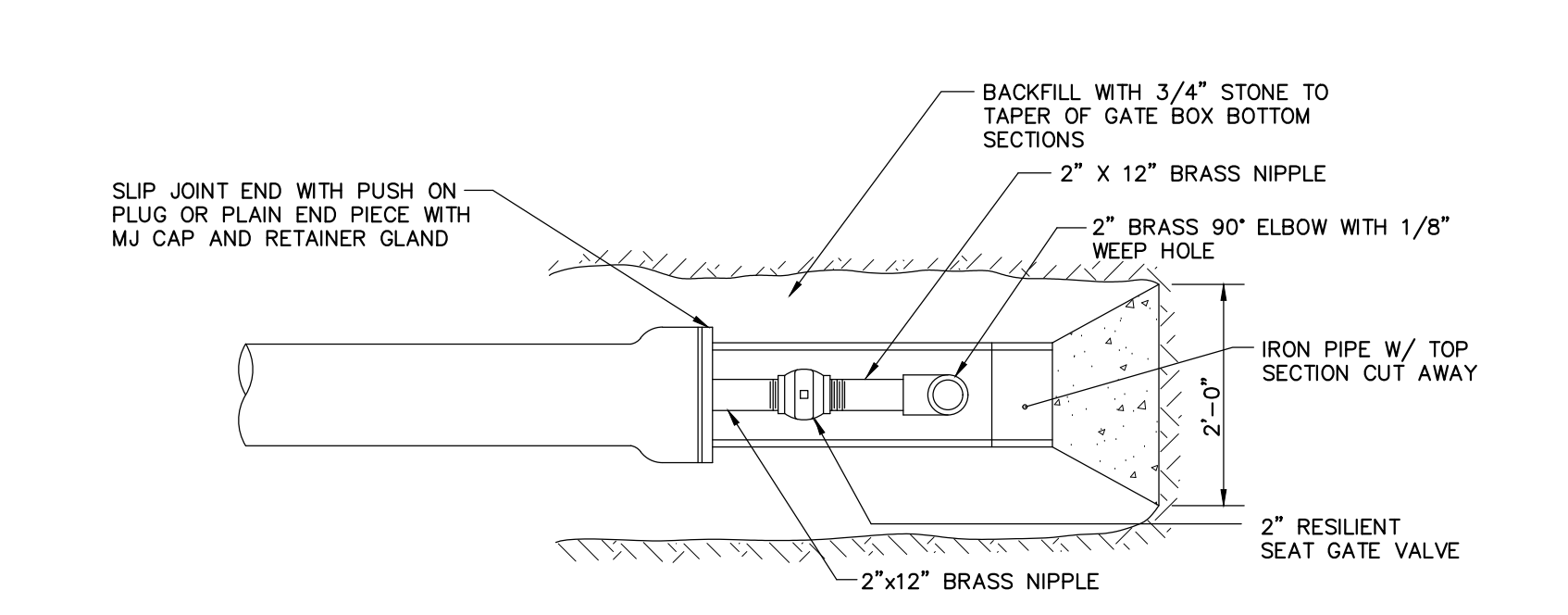


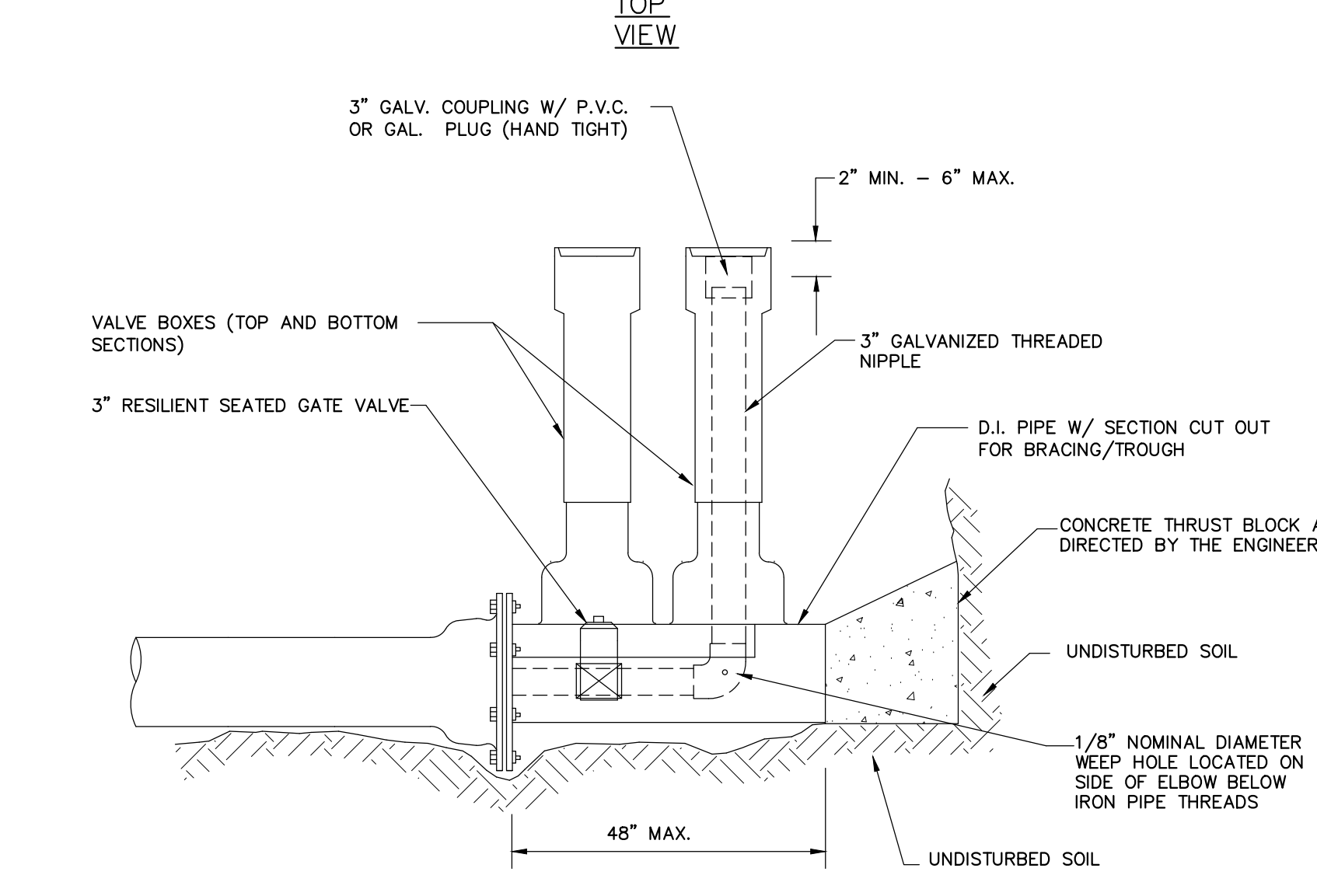
STANDARD BEND BLOCKING
N.T.S.



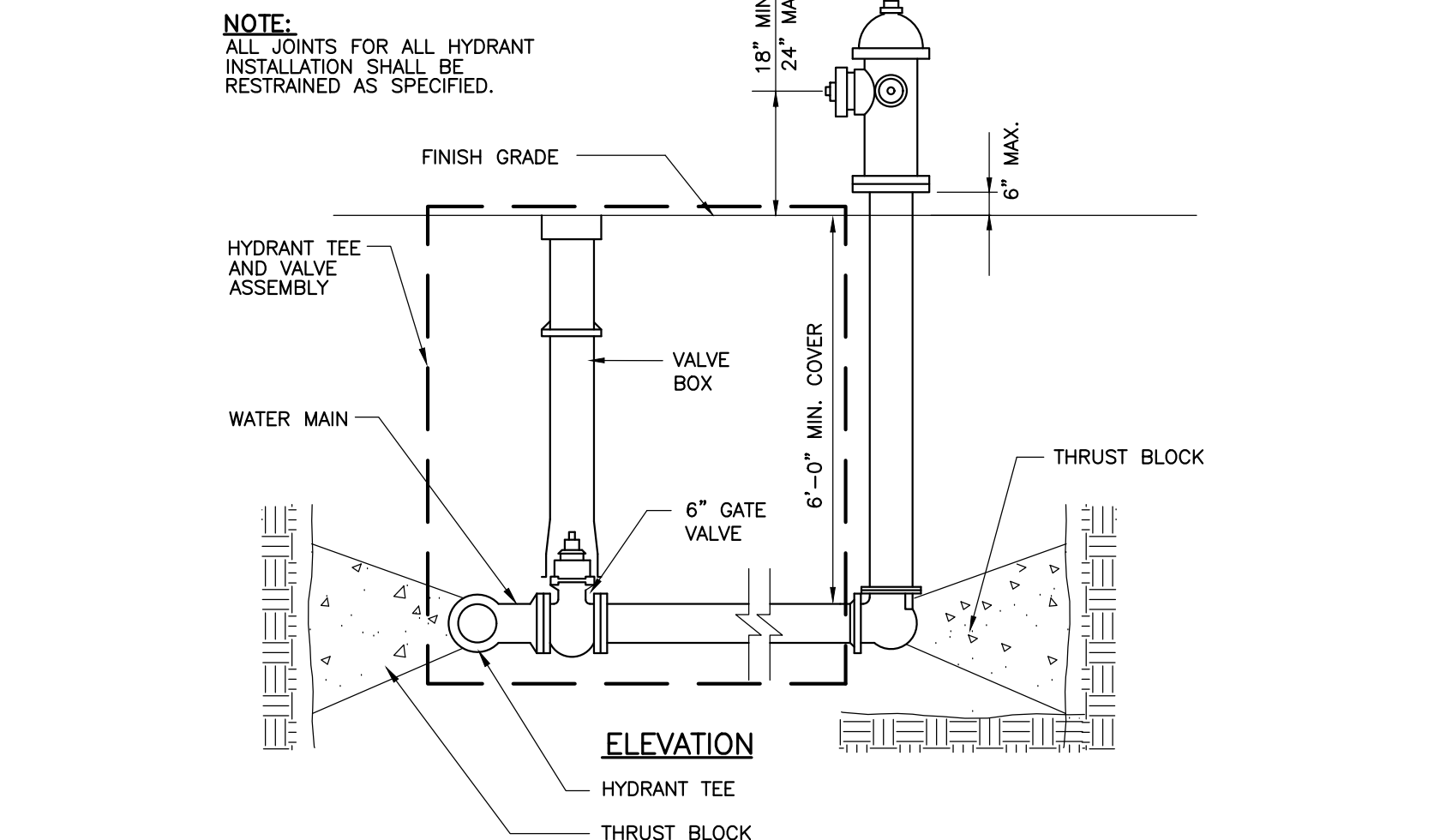
STANDARD TEE BLOCKING
N.T.S.



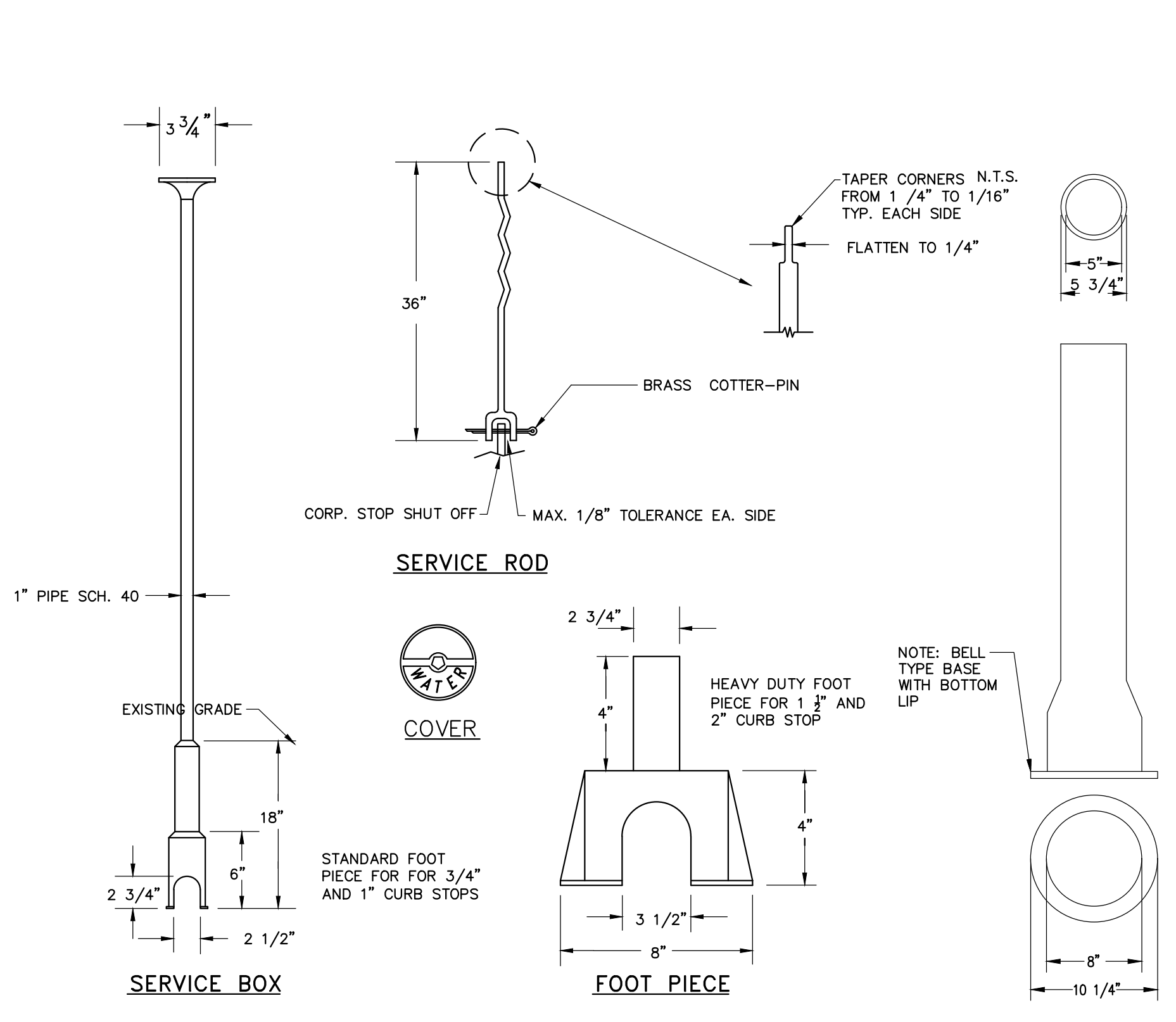
SERVICE TAP
(3/4" AND 1" C.C. THREAD)



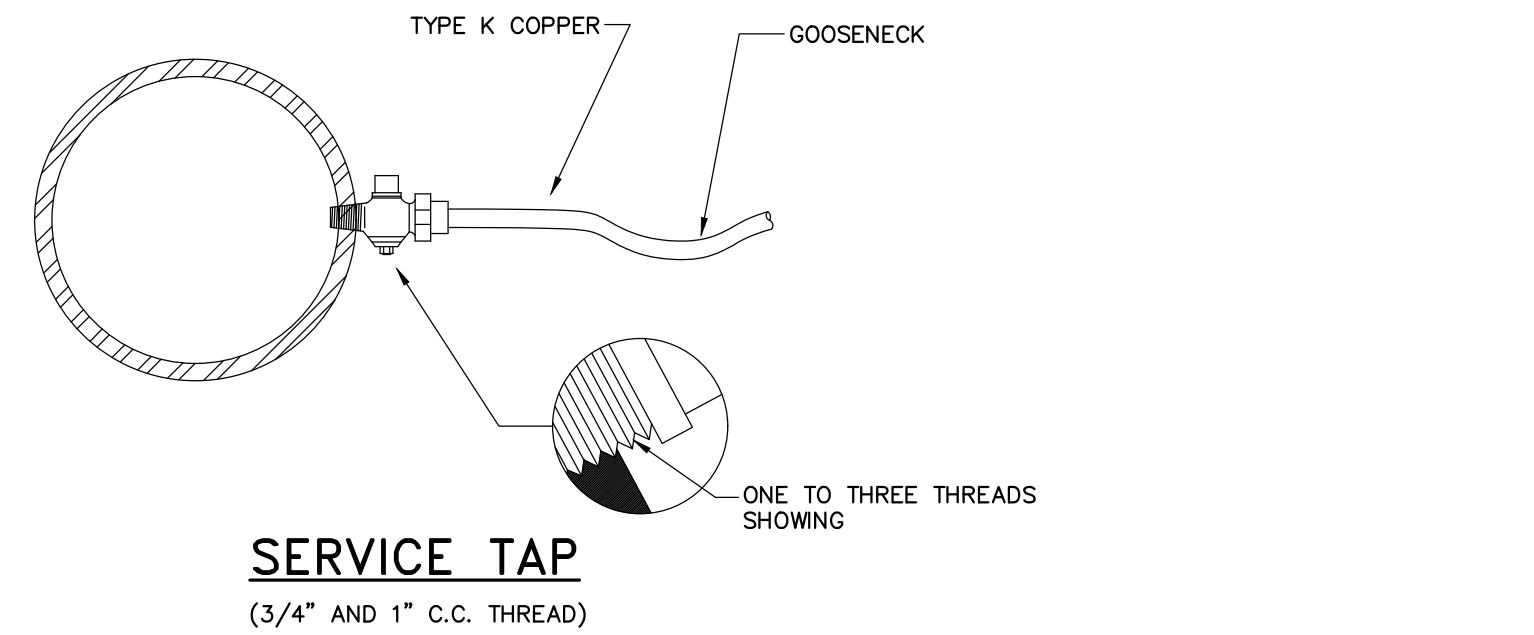
STANDARD 3" BLOW OFF
N.T.S.



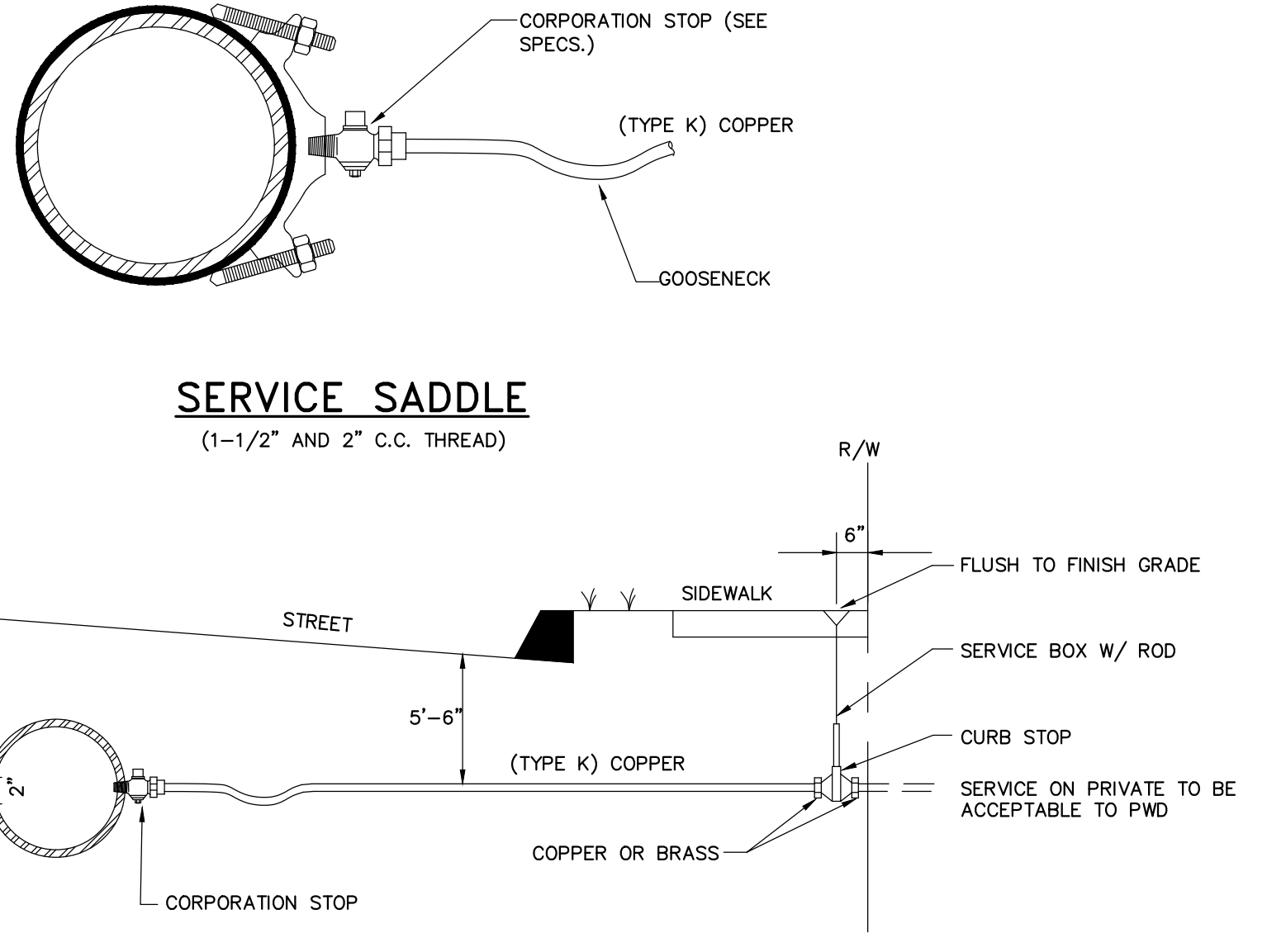
TYPICAL HYDRANT ASSEMBLY DETAIL
N.T.S.



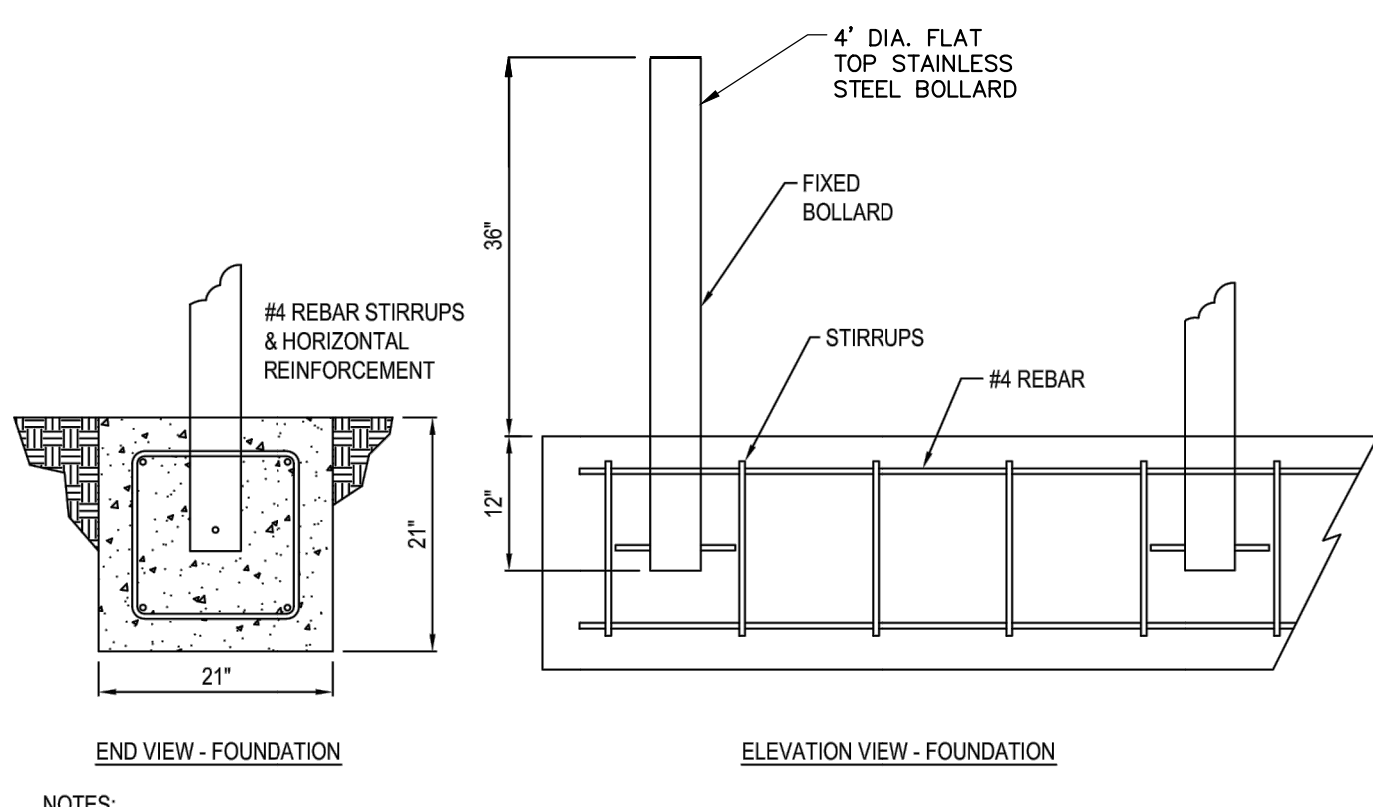
VALVE BOX & COVER
N.T.S.



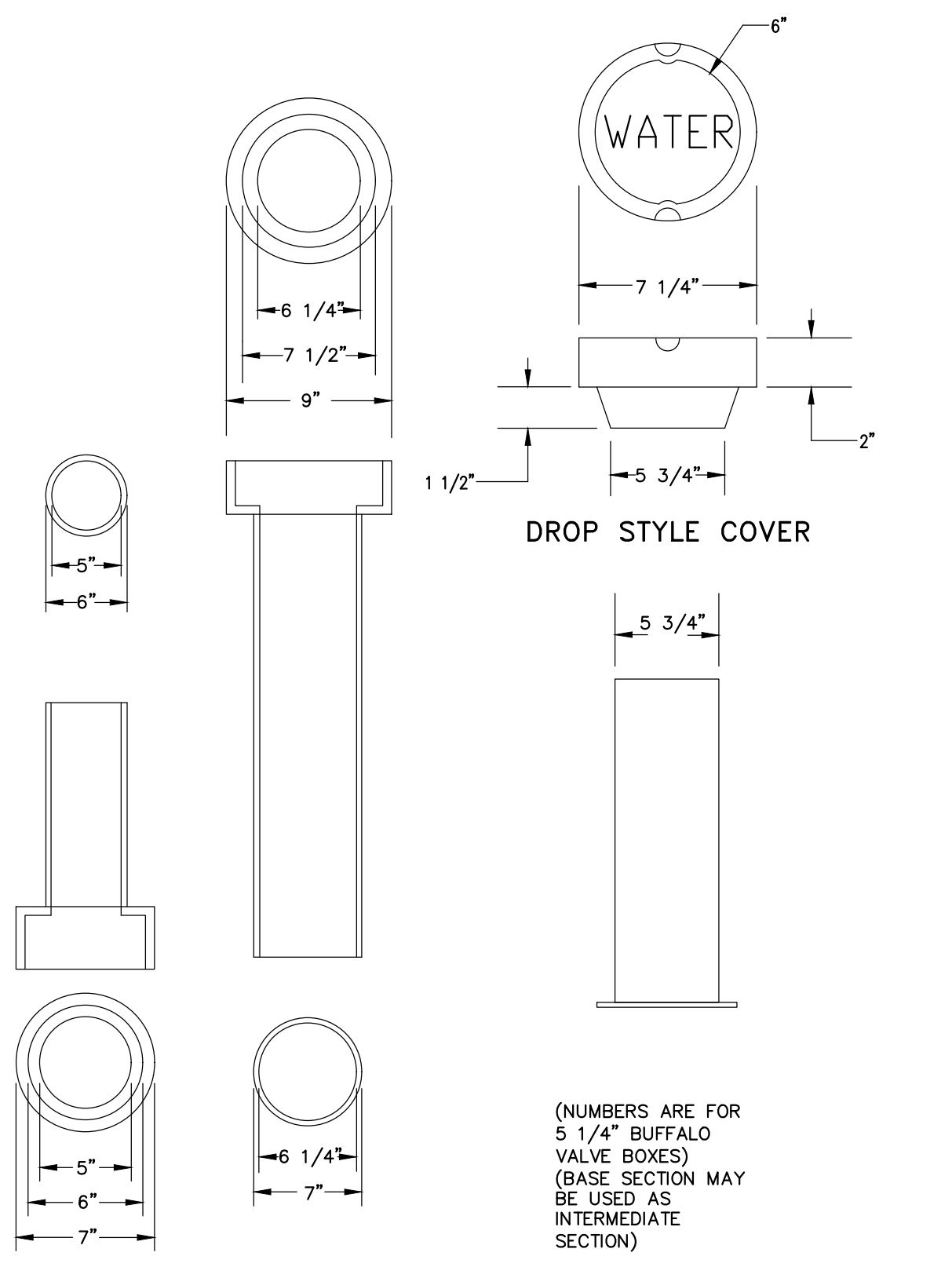
SERVICE SADDLE
(1-1/2" AND 2" C.C. THREAD)



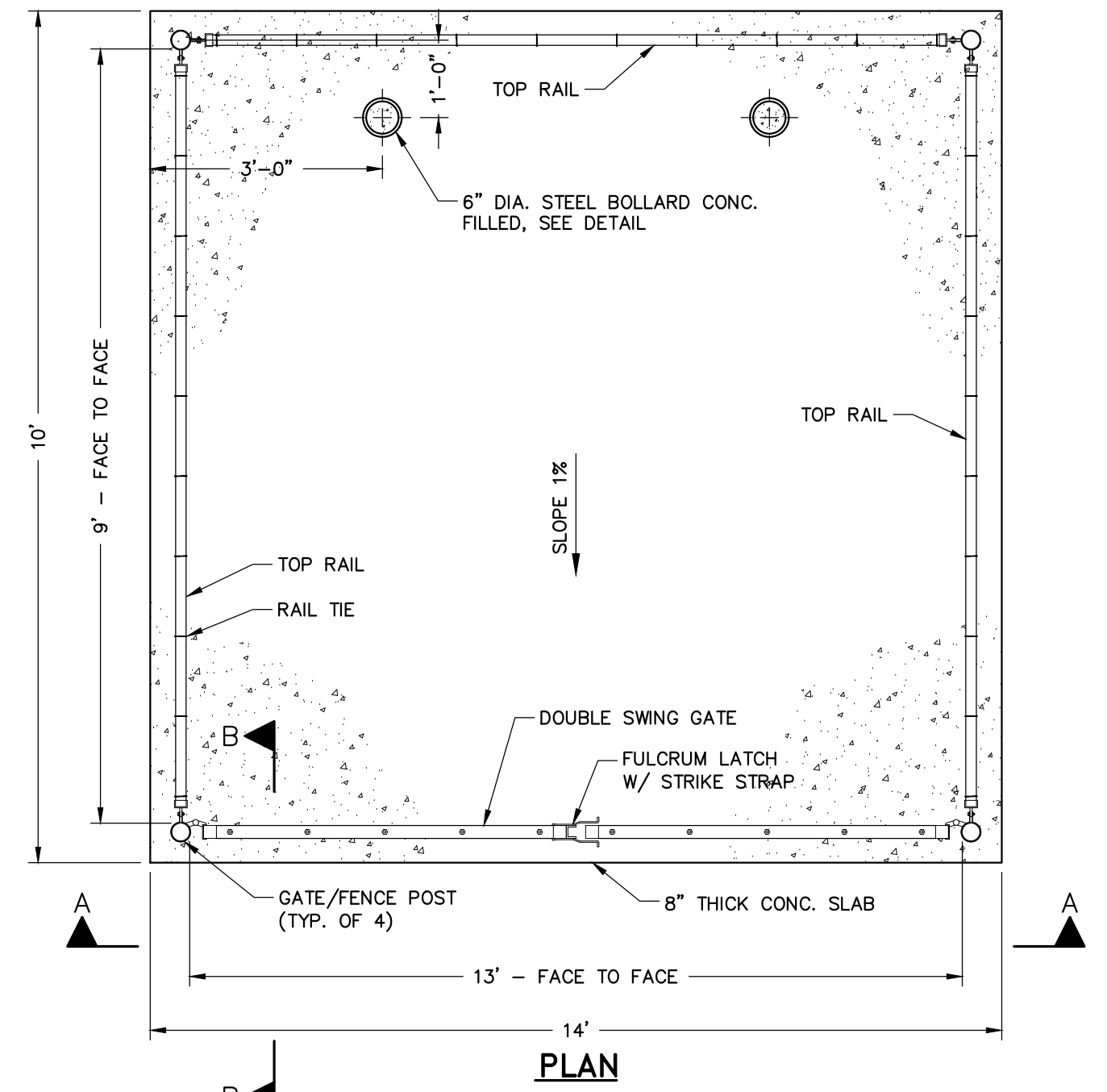
TYPICAL SERVICE CONNECTION
N.T.S.



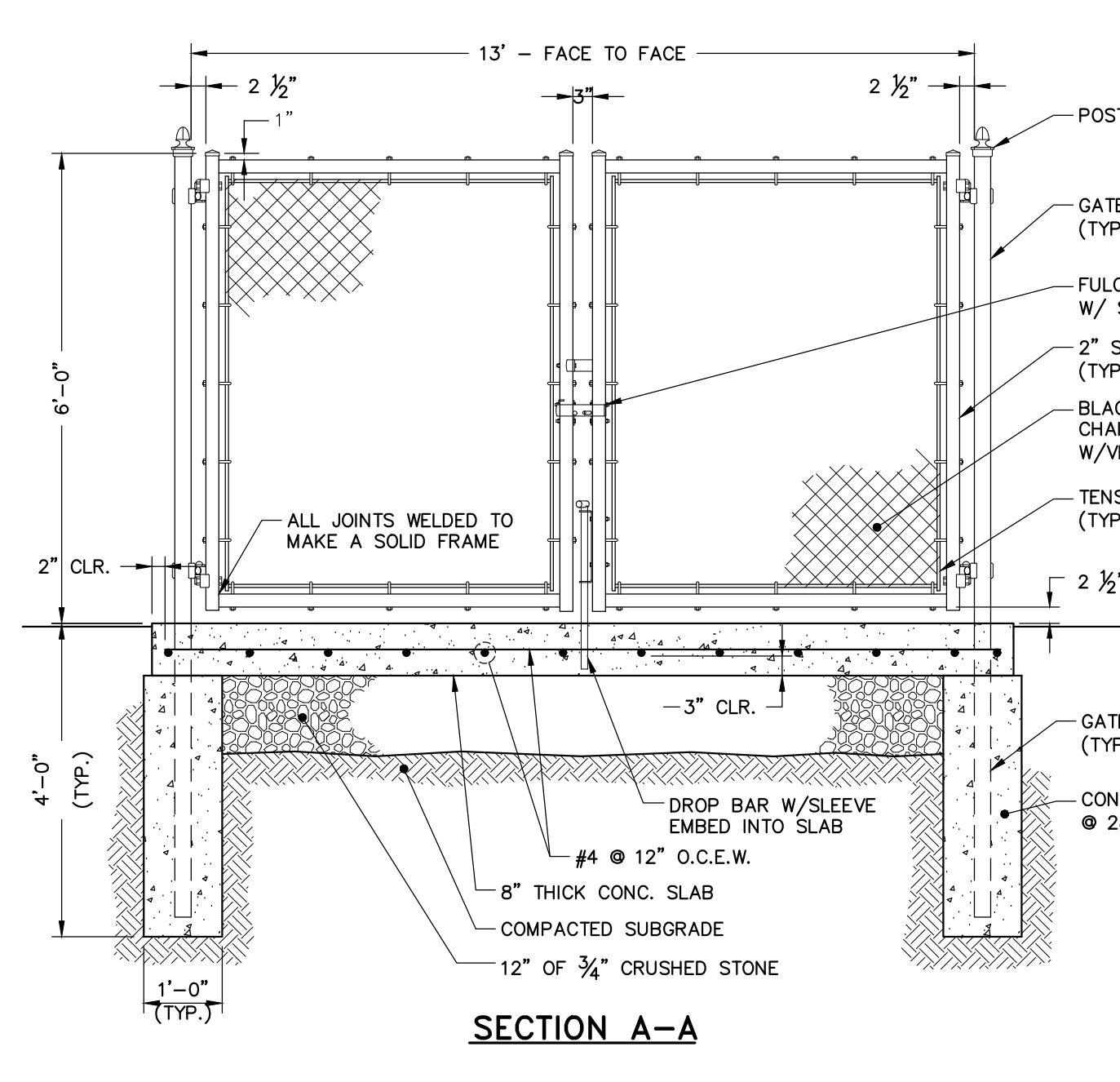
BOLLARD DETAIL
N.T.S.



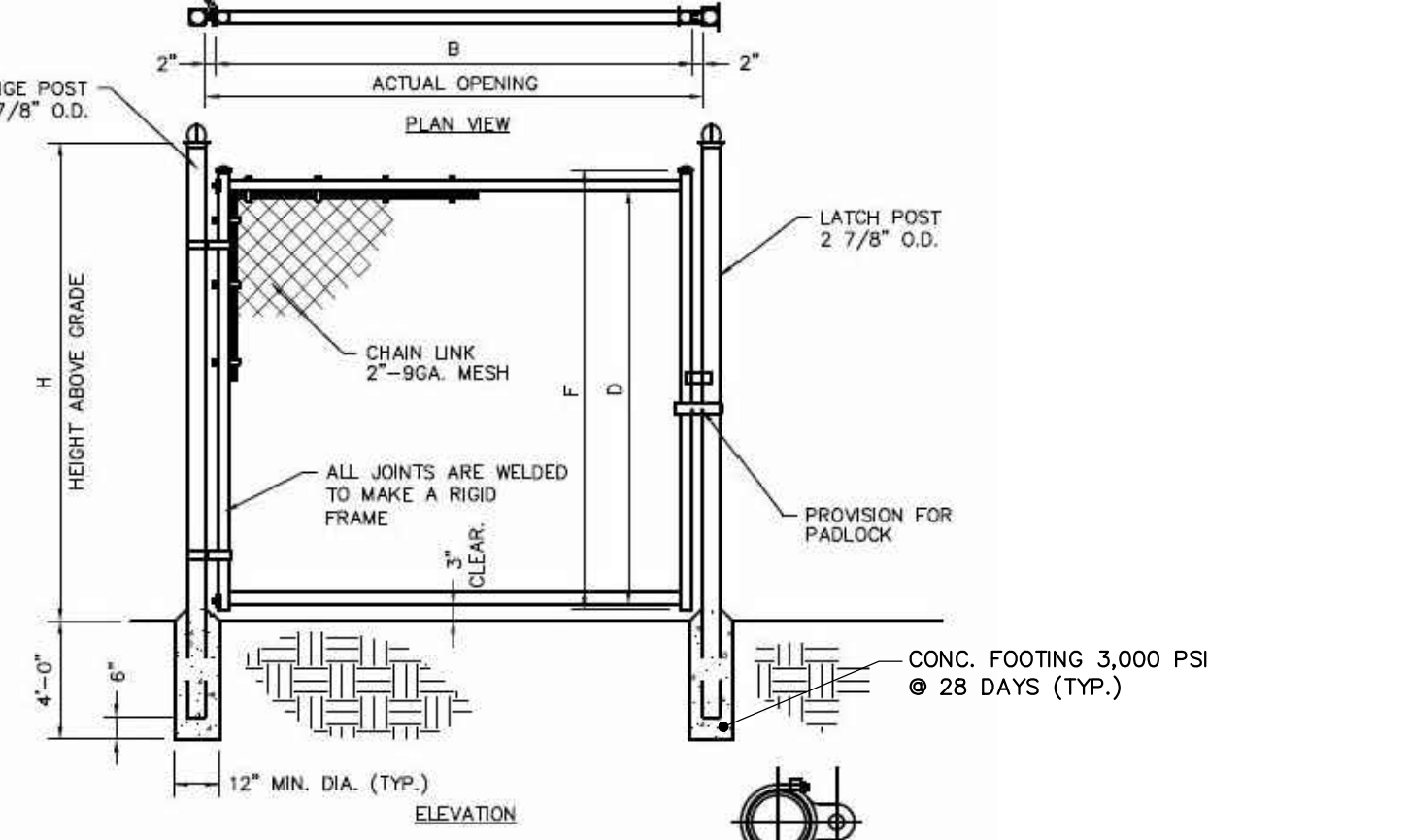
DROP STYLE COVER



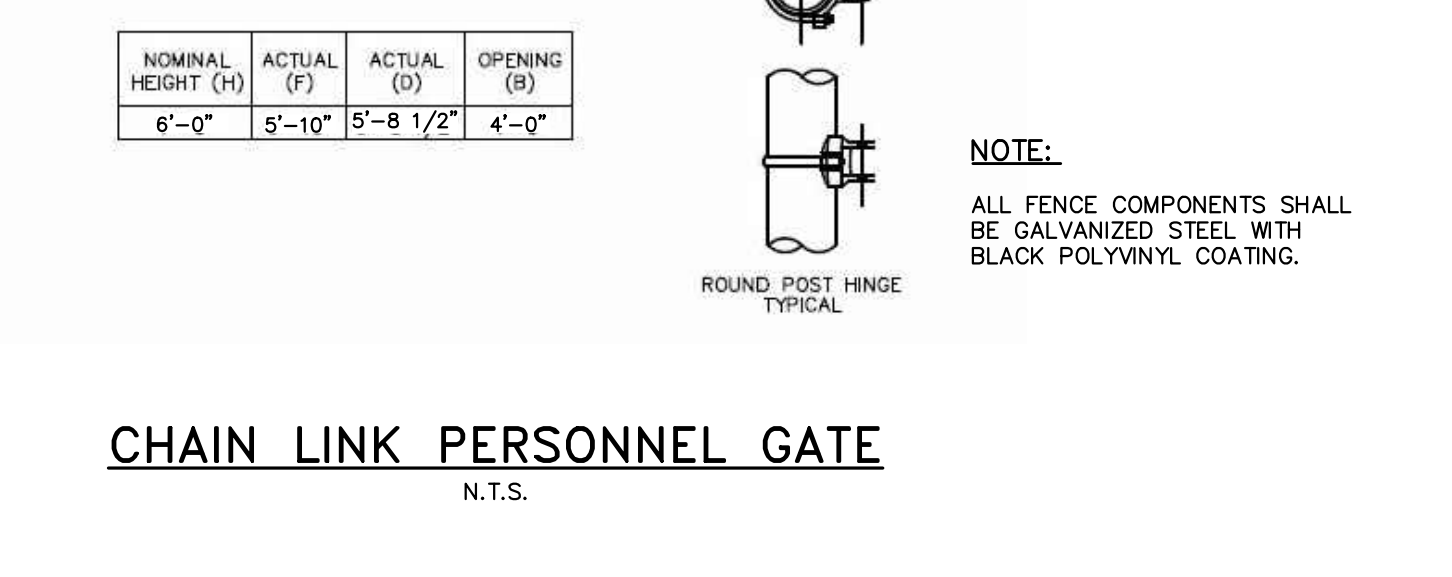
PLAN



SECTION A-A



6' HGT. CHAIN LINK FENCE AND GATE
N.T.S.



SECTION B-B



DUMPSTER ENCLOSURE & PAD DETAIL
SCALE: N.T.S.

NO.	DATE	DESCRIPTION	BY	CHKD.