

NOTICE OF INTENT  
(Congress Street Light Poles)

Date: 11/5/2019

Richard Martineau  
Turner Construction Company  
2 Seaport Lane, #200  
Boston, MA 02210

RE: MMC East Tower Expansion / Visitors Garage

Dear Mr. Martineau,

In accordance with your previous direction, we have ordered (4) new Street Light Poles for the completion of the Visitor Garage Project. The existing (4) light poles on Congress Street will be removed and (4) new light poles will be installed on the sidewalk in front of the existing Visitor Garage.

Please see attached Light Pole cut sheet along with the order invoice for the light poles which indicates they are shipping to us on 12/19/19. Upon receipt of the full Light Pole assemblies, we will coordinate for installation.

Sincerely yours,

Jesse Klimaytis

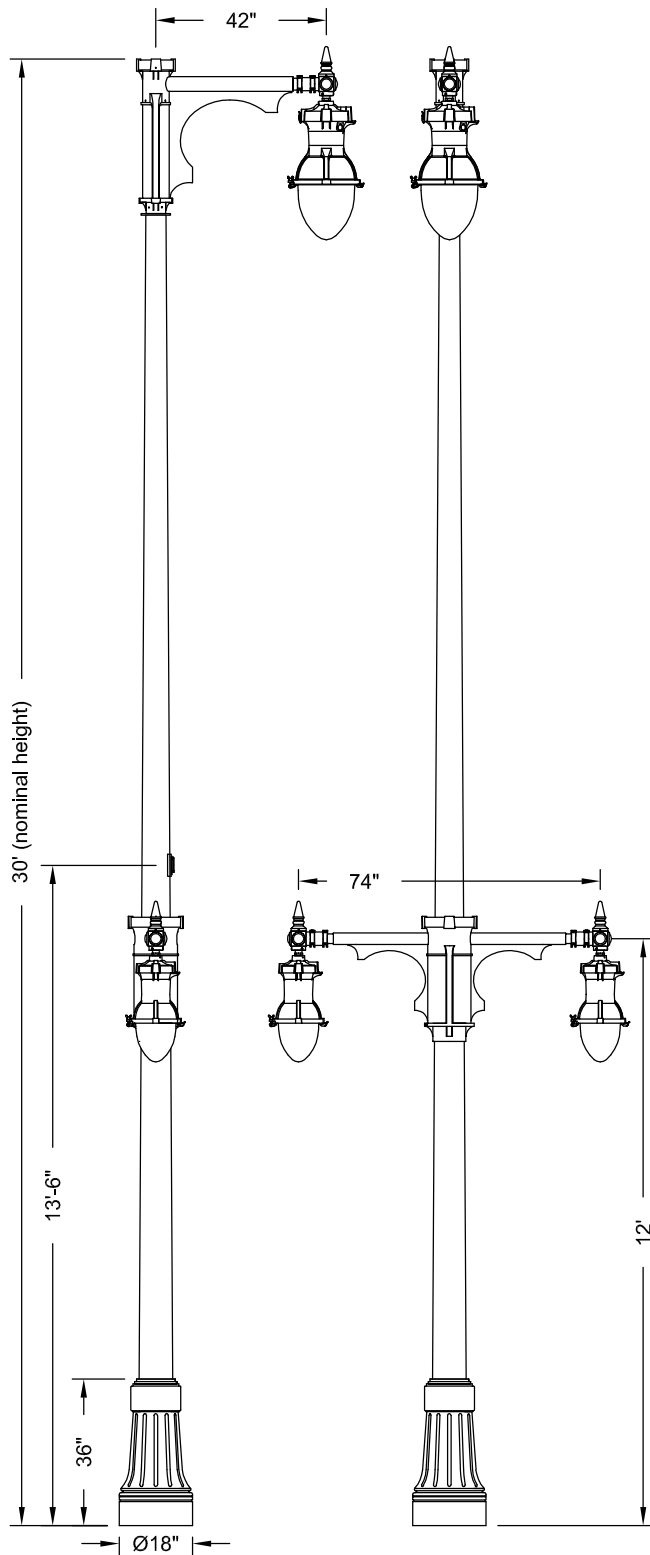
Digitally signed by Jesse Klimaytis  
DN: C=US, E=jklimaytis@esboulos.com,  
O=E.S. Boulos Company, OU=Project  
Manager, CN=Jesse Klimaytis  
Date: 2019.11.05 09:45:53-05'00'

Jesse Klimaytis  
Project Manager  
E.S. Boulos Company

CC: File

# Portland Configuration

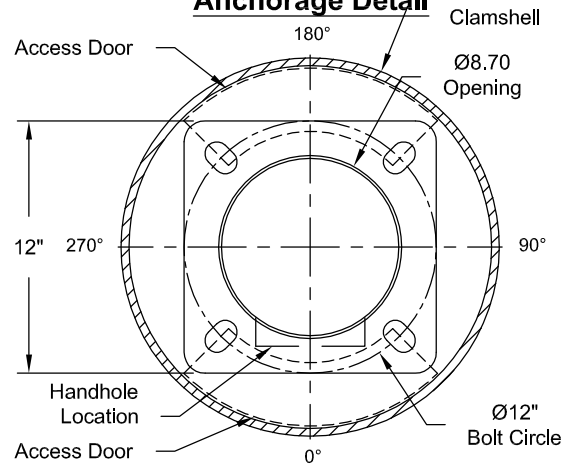
Round Tapered Steel Pole  
Holophane RAL6012 Finish



## Accessory Mounting Detail

	Orientation	Height
RECEPTACLE	0°	13'-6"

## Anchorage Detail



DO NOT USE TO SET ANCHOR BOLTS  
CONTACT CUSTOMER SERVICE FOR TEMPLATE

### CUSTOMER NOTES:

1. STANDARD FIXTURE SPECS ON SEPARATE FIXTURE DRAWINGS.
2. CUSTOMER TO VERIFY ACCESSORY LOCATIONS ABOVE DURING APPROVAL AND PROVIDE PRIOR TO PRODUCTION. ACCESSORIES MAY BE ROTATED IN VIEW FOR CLARITY.
3. SIGNED APPROVAL TO ACCOMPANY PO.

### Catalog #'s:

Pole: PORTLAND CONFIGURATION #1 (LESS LIGHT FIXTURES) RFD146283  
Upper Luminaire: ESL2P30S30KASRAL6012TG4SP7E  
Mid Pole Luminaire: ESPL2P2030KASSRAL60124P7E  
Fitter: WLDF13200RAL6012P7

Customer Signature: \_\_\_\_\_

Date: \_\_\_\_\_



City of Portland

Portland, Maine

2066-19-12816-0

TYPE: Downtown

DRAWING #:

REVISION: 1

REVISION DATE: 3-27-19

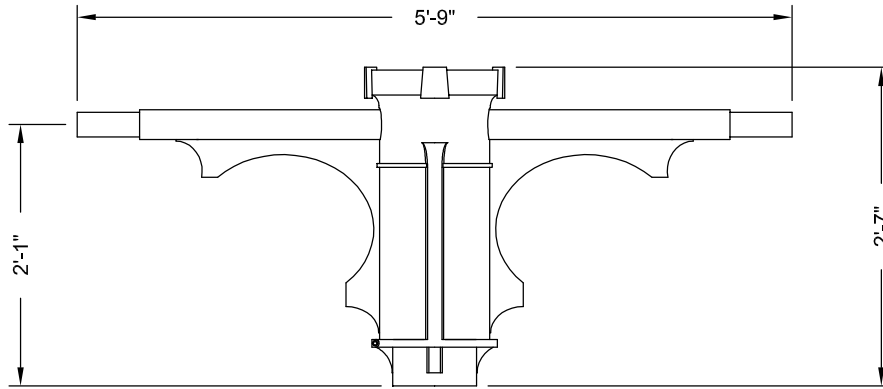
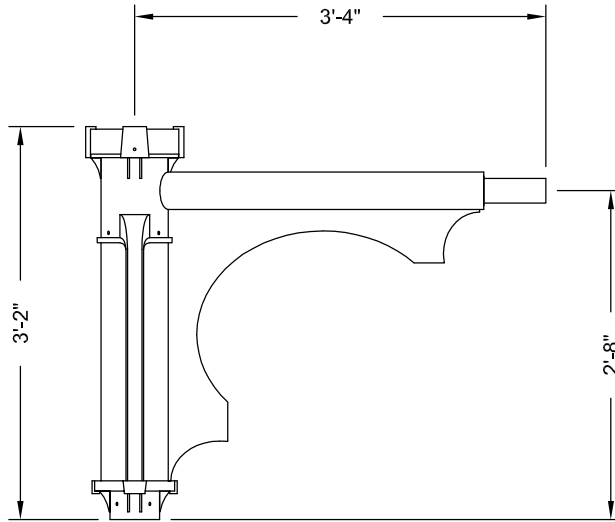
TSG 011294

DRAWN: WWB

ORIGIN DATE: 2-26-19

PAGE: 1 of 2

THIS DRAWING, WHEN APPROVED, SHALL BECOME THE COMPLETE SPECIFICATION FOR THE MATERIAL TO BE FURNISHED BY HOLOPHANE ON THE ORDER NOTED ABOVE. A UNIT OF SIMILAR DESIGN MAY BE SUPPLIED, BUT ONLY AFTER APPROVAL BY THE CUSTOMER IN WRITING. ON POLE ORDERS AN ANCHOR BOLT TEMPLATE PRINT WILL BE SUPPLIED WITH EACH ANCHOR BOLT ORDER TO MATCH THE POLE PROVIDED. THIS PRINT IS THE PROPERTY OF HOLOPHANE AND IS LOANED SUBJECT TO RETURN UPON DEMAND AND UPON EXPRESS CONDITION THAT IT WILL NOT BE USED DIRECTLY OR INDIRECTLY IN ANY WAY DETRIMENTAL TO OUR INTERESTS, AND ONLY IN CONNECTION WITH MATERIAL FURNISHED BY HOLOPHANE.



<b>Catalog #'s:</b> PD42/1CA (single) - PD69/2CA (twin)	
<b>Customer Signature</b>	<b>Date</b>



**City of Portland**  
Portland, Maine

<b>2066-19-12816-0</b>	TYPE: Downtown	DRAWING #:
REVISION: 1	REVISION DATE: 3-27-19	<b>TSG 011294</b>
DRAWN: WWB	ORIGIN DATE: 2-26-18	PAGE: 2

THIS DRAWING, WHEN APPROVED, SHALL BECOME THE COMPLETE SPECIFICATION FOR THE MATERIAL TO BE FURNISHED BY HOLOPHANE ON THE ORDER NOTED ABOVE. A UNIT OF SIMILAR DESIGN MAY BE SUPPLIED, BUT ONLY AFTER APPROVAL BY THE CUSTOMER IN WRITING. ON POLE ORDERS AN ANCHOR BOLT TEMPLATE PRINT WILL BE SUPPLIED WITH EACH ANCHOR BOLT ORDER TO MATCH THE POLE PROVIDED. THIS PRINT IS THE PROPERTY OF HOLOPHANE AND IS LOANED SUBJECT TO RETURN UPON DEMAND AND UPON EXPRESS CONDITION THAT IT WILL NOT BE USED DIRECTLY OR INDIRECTLY IN ANY WAY DETRIMENTAL TO OUR INTERESTS, AND ONLY IN CONNECTION WITH MATERIAL FURNISHED BY HOLOPHANE.

**Serviced By:**  
**BR50 WESCO PORTLAND, ME**  
 327 Marginal Way  
 PORTLAND, ME 04101  
 Phone # : 207-774-2614

**\*\* Acknowledgement \*\***  
 Bid #: S5152535  
 P/O #: 6003587-571233  
 REL #: MMP CARDIO  
 Page #: 1

**Bill:**  
 ES BOULOS INC  
 12250 E 112TH AVE  
 ES BOULOS COMP MS-1620  
 HENDERSON, CO 80640

**Ship:**  
 ESB INC MMC PROJECTS  
 45 BRADLEY DRIVE  
 ATTN: JESSE K / MMP CARDIO  
 WESTBROOK, ME 04092

Ord-Date	Ship-Date	Writer	Ship Via	Ordered By
07/26/19	12/19/19	Renne' Church x5013BW	BEST WAY	JESSE K
	Ship Br:50			Freight
	Prc Br:50			Billable

Order Qty	Product Description	UnitPrice	Ext Amt
-----------	---------------------	-----------	---------

1ea      ^LB LOT PRICE HOLOPHANE LIGHTING  
           Loc: \*\*DIR

This Lot Consists of the following:  
 Ord Qty    Description

```

-----
      4 DS210-870E26T-P9-HH-FPG-LAB SHIPPING 12/19/19
        2 HOLES
      4 PD42CADGRHH                    SHP'D9/26/19
      4 PM18CSBCARAL6012-RFD146283    SHP'D 9/26/19
      4 FG-SRAL6012                    SHP'D 9/26/19
      4 PD69/2CADGRHH                  SHP'D 9/26/19
      4 ESL2RAL6012TG4                 SHP'D 8/19/19
      4 WLDF13200RAL6012P              SHP'D 8/19/19
      4 ESL2P30S30KASRAL60124SP7E     SHP'D 8/19/19
      8 WLDF13200RAL0612P7            SHP'D 8/19/19
      8 ESPL2P2030KASSRAL60124P7E    SHP'D 8/19/19
  
```

ORDER TOTAL

\*\*\* Continued on Next Page \*\*\*

NOTE: Special material is non-cancelable.

Serviced By:  
BR50 WESCO PORTLAND, ME  
327 Marginal Way  
PORTLAND, ME 04101  
Phone # : 207-774-2614

\*\* Acknowledgement \*\*  
Bid #: S5152535  
P/O #: 6003587-571233  
REL #: MMP CARDIO  
Page #: 2

Bill: ES BOULOS INC  
12250 E 112TH AVE  
ES BOULOS COMP MS-1620  
HENDERSON, CO 80640

Ship: ESB INC MMC PROJECTS  
45 BRADLEY DRIVE  
ATTN: JESSE K / MMP CARDIO  
WESTBROOK, ME 04092

Ord-Date	Ship-Date	Writer	Ship Via	Ordered By
07/26/19	12/19/19	Renne' Church x5013BW	BEST WAY	JESSE K
	Ship Br:50			Freight
	Prc Br:50			Billable

Order Qty	Product Description	UnitPrice	Ext Amt
-----------	---------------------	-----------	---------

Invoice Amount -----

NOTE: Special material is non-cancelable.