

JUNCTION POINT DESCRIPTIONS

POINT	DESCRIPTION	WIRING
JP1	1" x 1" x 1" JUNCTION BOX	120V/240V
JP2	1" x 1" x 1" JUNCTION BOX	120V/240V
JP3	1" x 1" x 1" JUNCTION BOX	120V/240V
JP4	1" x 1" x 1" JUNCTION BOX	120V/240V
JP5	1" x 1" x 1" JUNCTION BOX	120V/240V
JP6	1" x 1" x 1" JUNCTION BOX	120V/240V
JP7	1" x 1" x 1" JUNCTION BOX	120V/240V
JP8	1" x 1" x 1" JUNCTION BOX	120V/240V
JP9	1" x 1" x 1" JUNCTION BOX	120V/240V
JP10	1" x 1" x 1" JUNCTION BOX	120V/240V

CONTRACTOR SUPPLIED AND INSTALLED WIRING

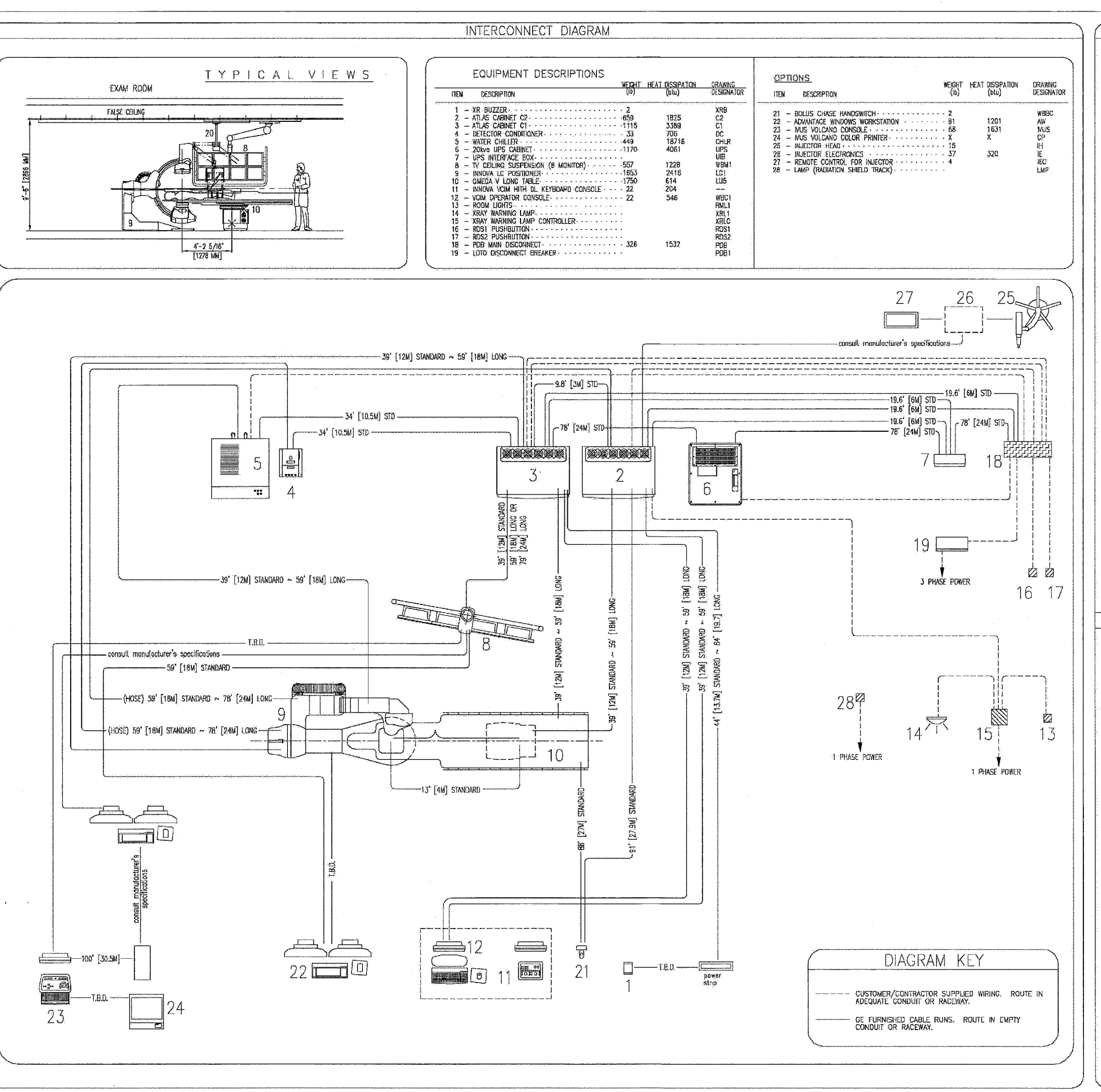
WIRE RUN FROM	QUANTITY	WIRE SIZE/COLOR
120V/240V	10	12 AWG THHN
120V/240V	5	14 AWG THHN
120V/240V	3	16 AWG THHN
120V/240V	2	18 AWG THHN
120V/240V	1	20 AWG THHN

CE Healthcare
Installation Services Design Center
144 Elm Street, Portland, Maine 04101
Tel: (207) 772-1846
Fax: (207) 772-1070
www.ceh.com

PROJECT: ROOM NO. CATH LAB 1
MODIFY TYPE: INNOVA 2100 PLUS
DATE: 10-15-10
DESIGNED BY: JST
CHECKED BY: JST
DATE: 10-15-10

REVISION HISTORY:
1. 10-15-10
2. 10-15-10

SHEET: E1



POWER SPECIFICATIONS

INNOVA SYSTEMS
REQUIRED POWER SUPPLY: 3 PHASE, 50 OR 60 HZ
MAXIMUM PERMITTED VOLTAGE VARIATION MUST FALL WITHIN ONE OF THE FOLLOWING RANGES:

VOLTAGE	PERCENT VARIATION	WIRE SIZE
115V	±1%	12 AWG
230V	±1%	12 AWG
460V	±1%	12 AWG
920V	±1%	12 AWG

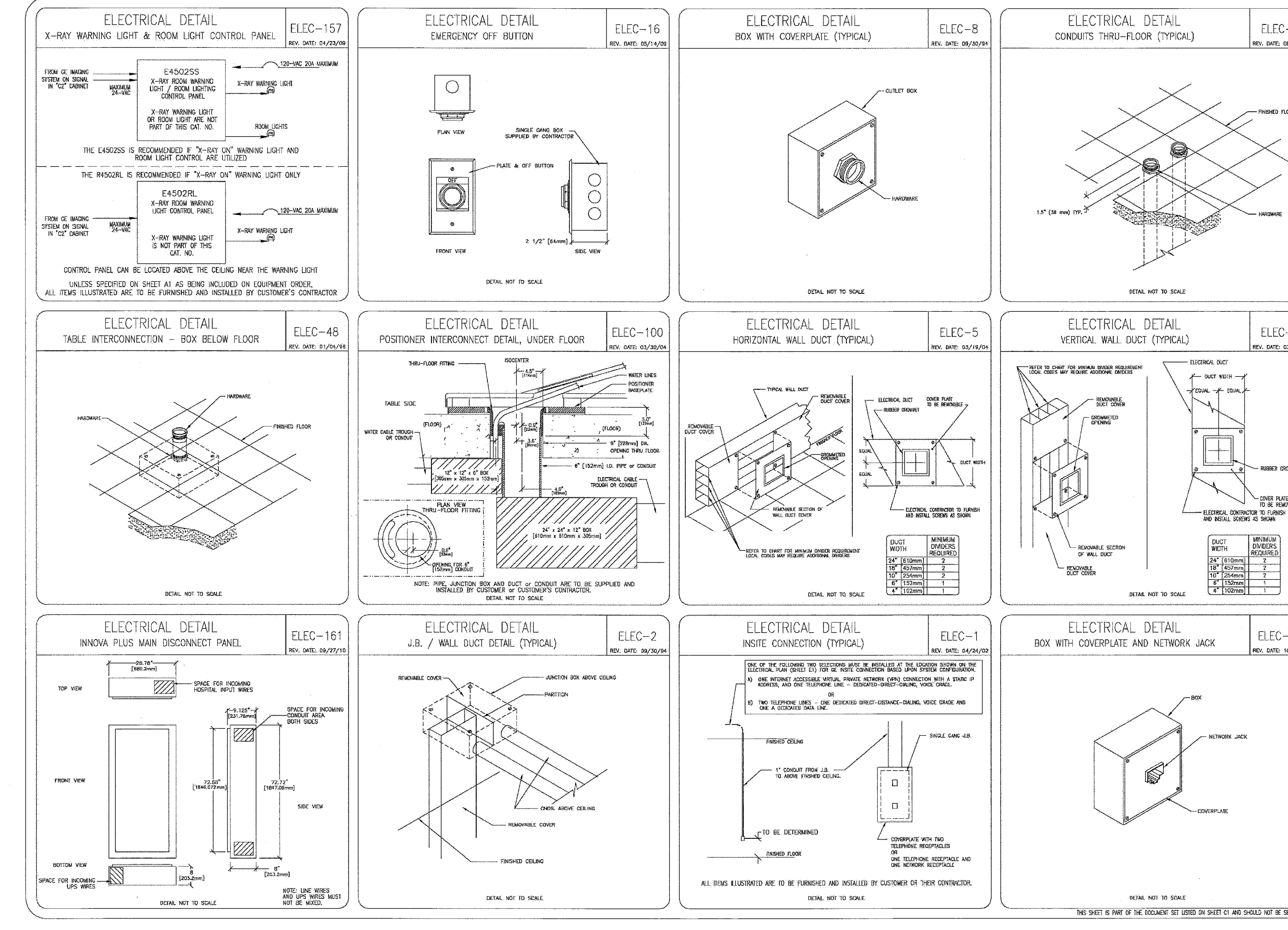
ELECTRICAL NOTES
1. ALL WIRING SHALL BE INSTALLED IN ACCORDANCE WITH THE NATIONAL ELECTRICAL CODE (NEC) AND THE MANUFACTURER'S INSTRUCTIONS.
2. ALL WIRING SHALL BE INSTALLED IN ACCORDANCE WITH THE MANUFACTURER'S INSTRUCTIONS.
3. ALL WIRING SHALL BE INSTALLED IN ACCORDANCE WITH THE MANUFACTURER'S INSTRUCTIONS.
4. ALL WIRING SHALL BE INSTALLED IN ACCORDANCE WITH THE MANUFACTURER'S INSTRUCTIONS.
5. ALL WIRING SHALL BE INSTALLED IN ACCORDANCE WITH THE MANUFACTURER'S INSTRUCTIONS.
6. ALL WIRING SHALL BE INSTALLED IN ACCORDANCE WITH THE MANUFACTURER'S INSTRUCTIONS.
7. ALL WIRING SHALL BE INSTALLED IN ACCORDANCE WITH THE MANUFACTURER'S INSTRUCTIONS.
8. ALL WIRING SHALL BE INSTALLED IN ACCORDANCE WITH THE MANUFACTURER'S INSTRUCTIONS.
9. ALL WIRING SHALL BE INSTALLED IN ACCORDANCE WITH THE MANUFACTURER'S INSTRUCTIONS.
10. ALL WIRING SHALL BE INSTALLED IN ACCORDANCE WITH THE MANUFACTURER'S INSTRUCTIONS.

CE Healthcare
Installation Services Design Center
144 Elm Street, Portland, Maine 04101
Tel: (207) 772-1846
Fax: (207) 772-1070
www.ceh.com

PROJECT: ROOM NO. CATH LAB 1
MODIFY TYPE: INNOVA 2100 PLUS
DATE: 10-15-10
DESIGNED BY: JST
CHECKED BY: JST
DATE: 10-15-10

REVISION HISTORY:
1. 10-15-10
2. 10-15-10

SHEET: E2

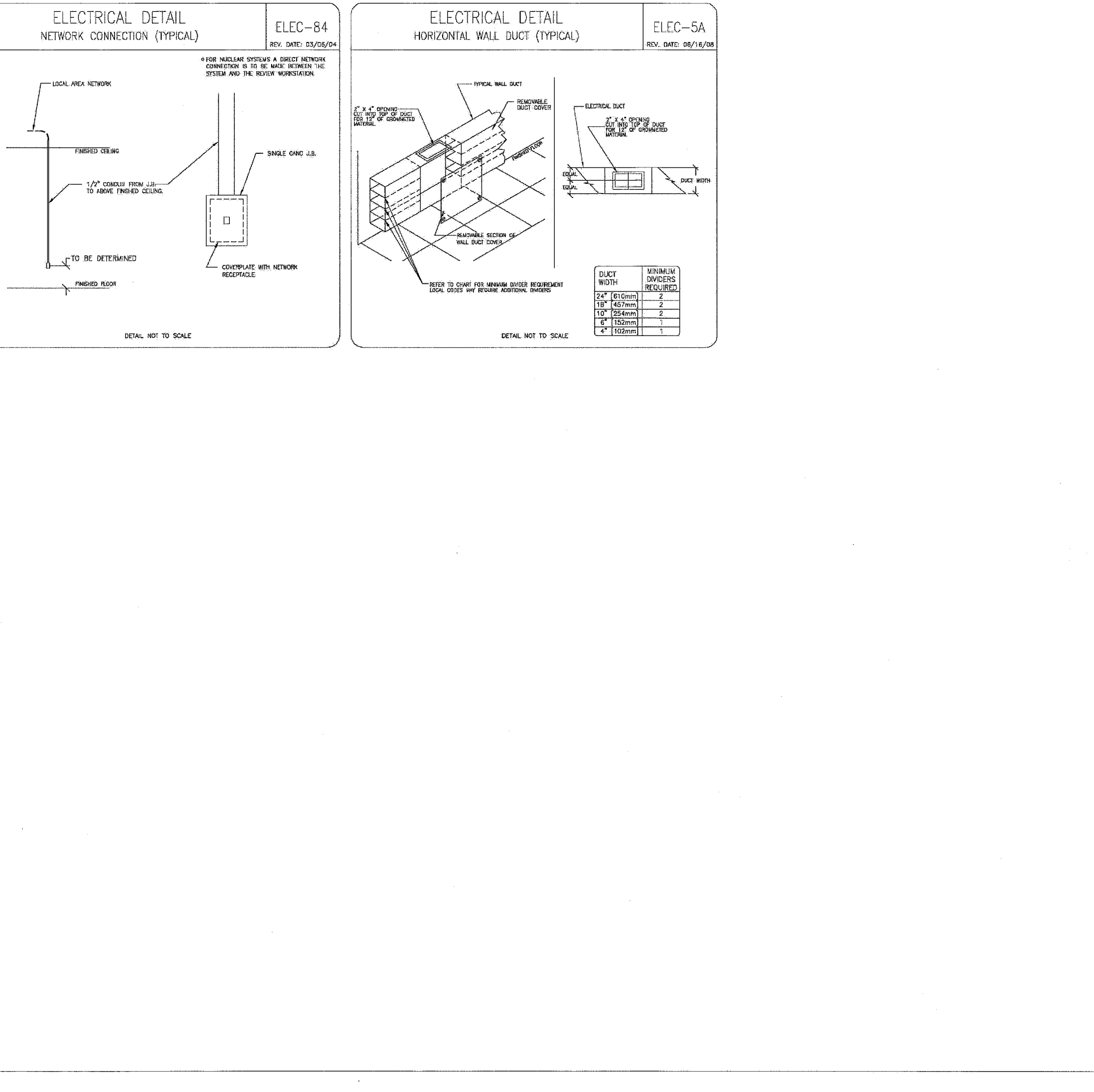


CE Healthcare
Installation Services Design Center
144 Elm Street, Portland, Maine 04101
Tel: (207) 772-1846
Fax: (207) 772-1070
www.ceh.com

PROJECT: ROOM NO. CATH LAB 1
MODIFY TYPE: INNOVA 2100 PLUS
DATE: 10-15-10
DESIGNED BY: JST
CHECKED BY: JST
DATE: 10-15-10

REVISION HISTORY:
1. 10-15-10
2. 10-15-10

SHEET: E3



CE Healthcare
Installation Services Design Center
144 Elm Street, Portland, Maine 04101
Tel: (207) 772-1846
Fax: (207) 772-1070
www.ceh.com

PROJECT: ROOM NO. CATH LAB 1
MODIFY TYPE: INNOVA 2100 PLUS
DATE: 10-15-10
DESIGNED BY: JST
CHECKED BY: JST
DATE: 10-15-10

REVISION HISTORY:
1. 10-15-10
2. 10-15-10

SHEET: E4

NOTE: THIS DRAWING WAS NOT PREPARED BY SMRT. IT IS PROVIDED FOR COORDINATION AND REFERENCE PURPOSES ONLY

MAINE MEDICAL CENTER
CATH. LAB #1
PORTLAND, ME

ISSUED FOR CONSTRUCTION
12.21.10

GRAPHIC SCALE: 1" = 10'

SCALE: PROJECT MANAGER: KD
I/DRAWN BY: Author
A/E OF RECORD: Checker
PROJECT NO.: 10113-00
DATE: 12.21.10

SHEET TITLE: VENDOR EQUIPMENT DRAWINGS, SHEET 2

SHEET NO.: Q-002