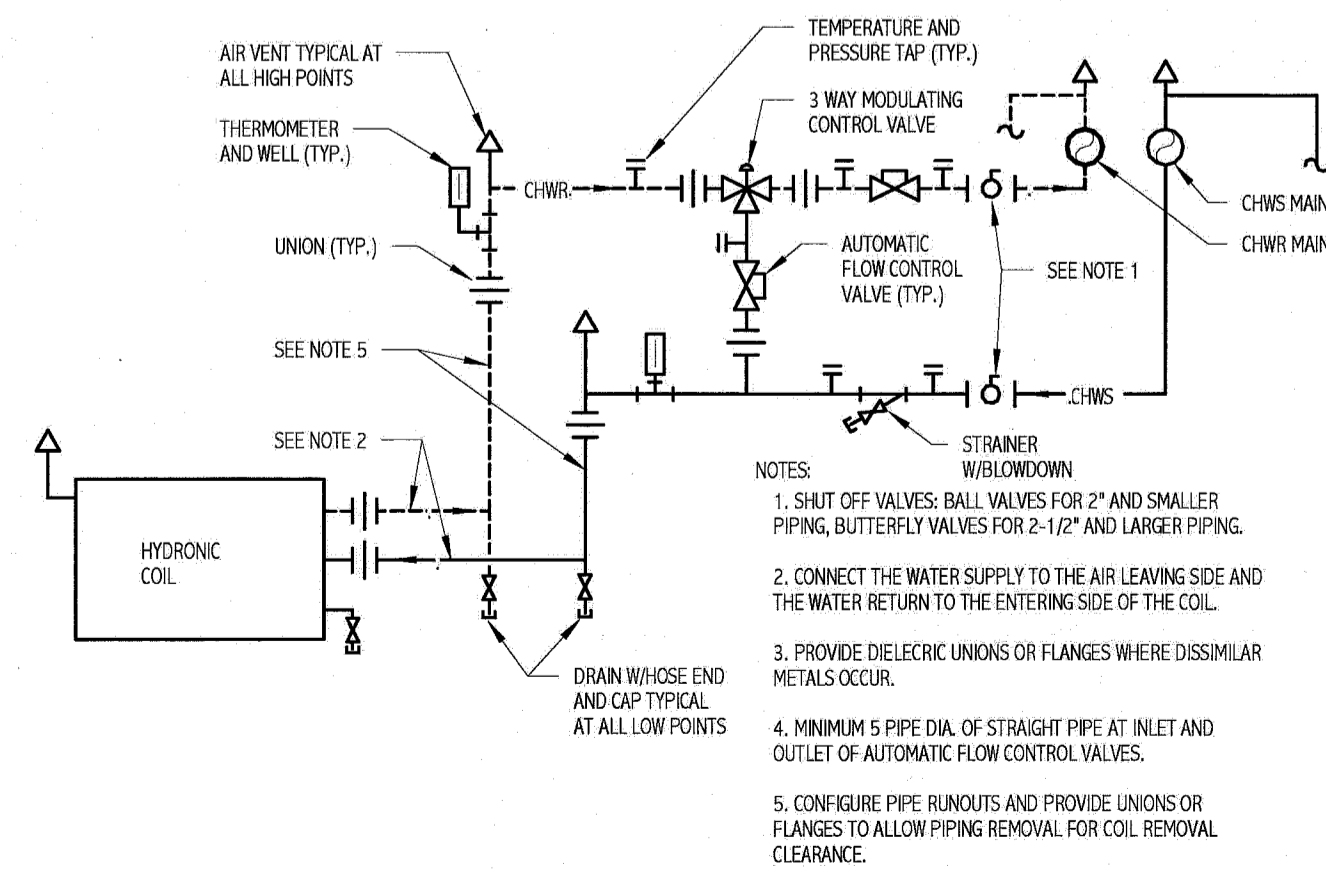


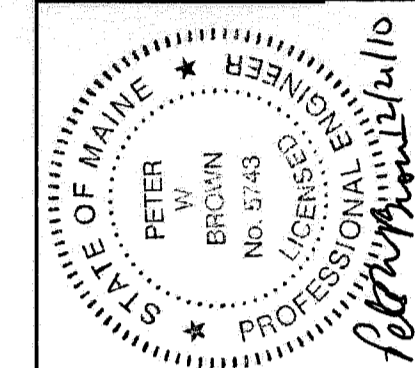
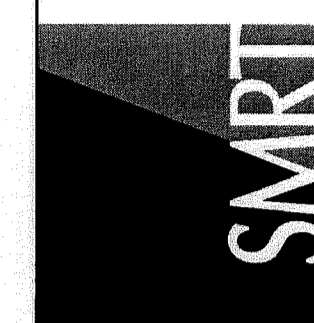
1 AIR DEVICE CONNECTION DETAIL
NOT TO SCALE



2 CHILLED WATER PIPING DETAIL. 1 TIER,
THREE-WAY VALVE
NOT TO SCALE

144 Fort Street, P.O. Box 618
Portland, Maine 04101
Tel: (207) 775-3846
Fax: (207) 775-1070
www.smartc.com

ARCHITECTURE
ENGINEERING
PLANNING
INTERIOR DESIGN
COMMISSIONING



MAINE MEDICAL CENTER
CATH LAB #1
PORTLAND, ME

ISSUED FOR CONSTRUCTION
12-21-10

NO.	DATE	DESCRIPTION
0	12-21-10	ISSUED FOR CONSTRUCTION
1		
2		
3		
4		
5		
6		
7		
8		
9		
10		
11		
12		
13		
14		
15		
16		

GRAPHIC SCALE:
0" 1"

SCALE: NOT TO SCALE

PROJECT MANAGER:	KD
DRAWN BY:	KPB
A/E OF RECORD:	PMB
PROJECT NO.:	10113-00
DATE:	12-21-10

SHEET TITLE:
DETAILS

SHEET No.
M-502