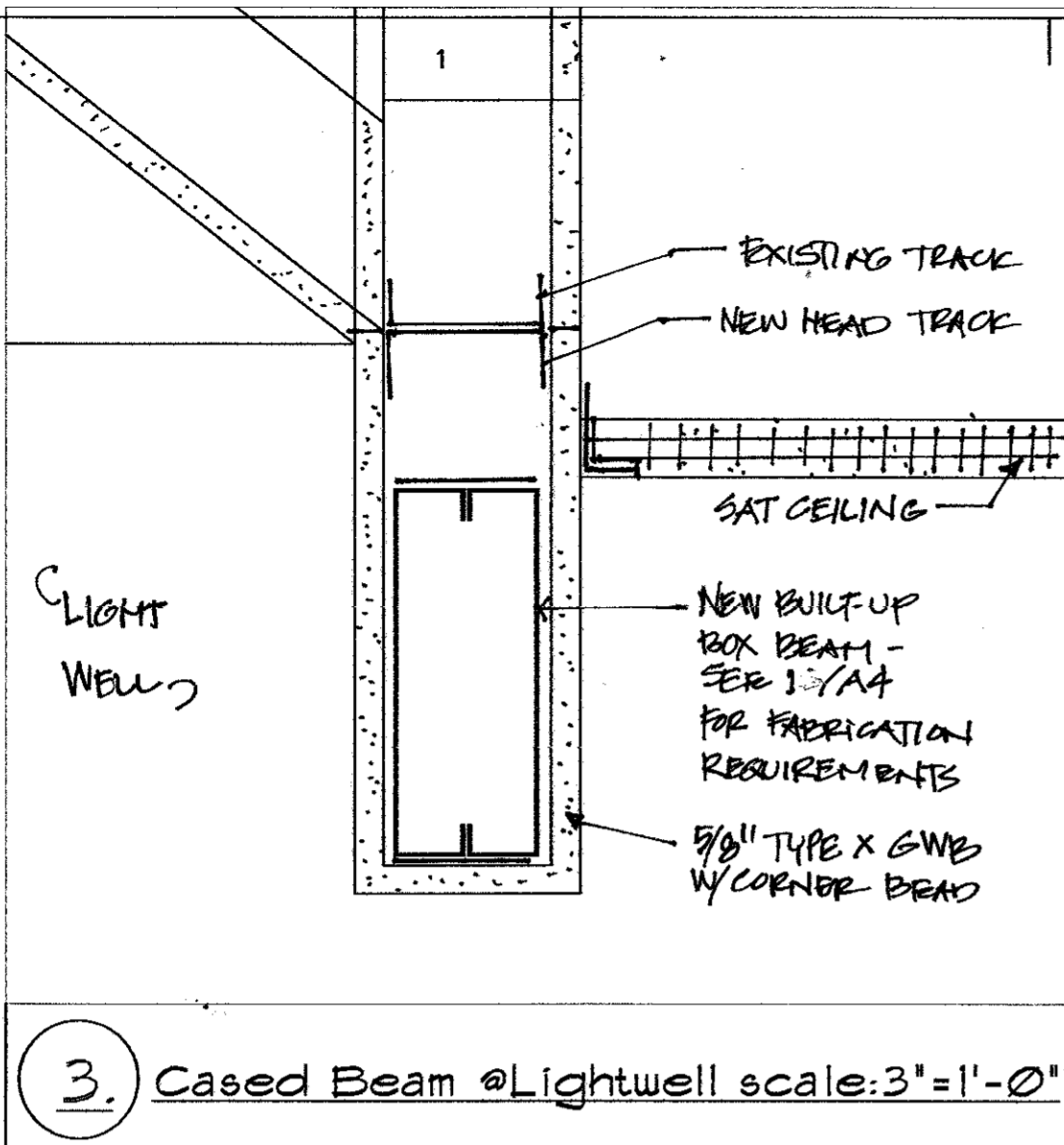
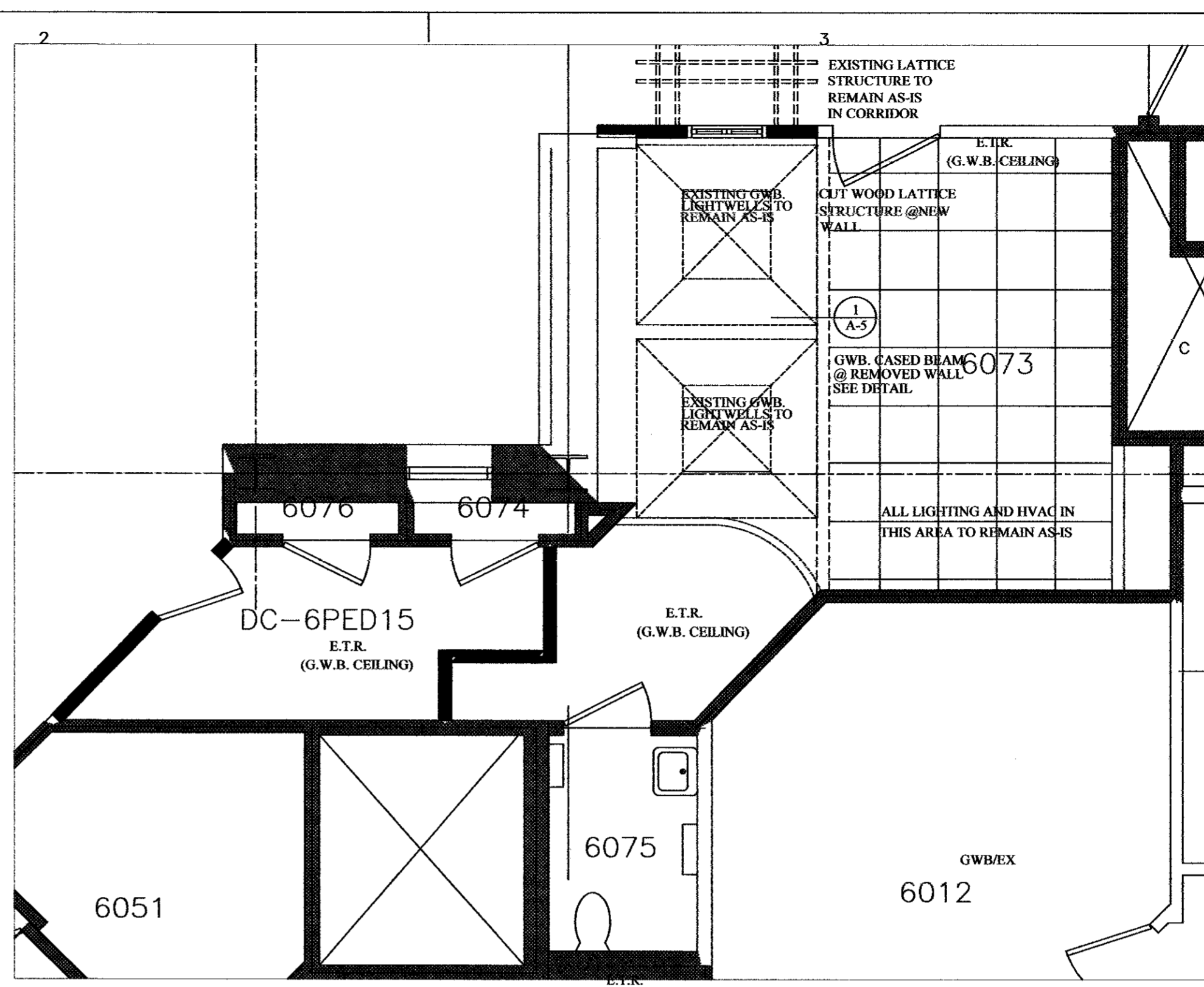


CONSULTANTS

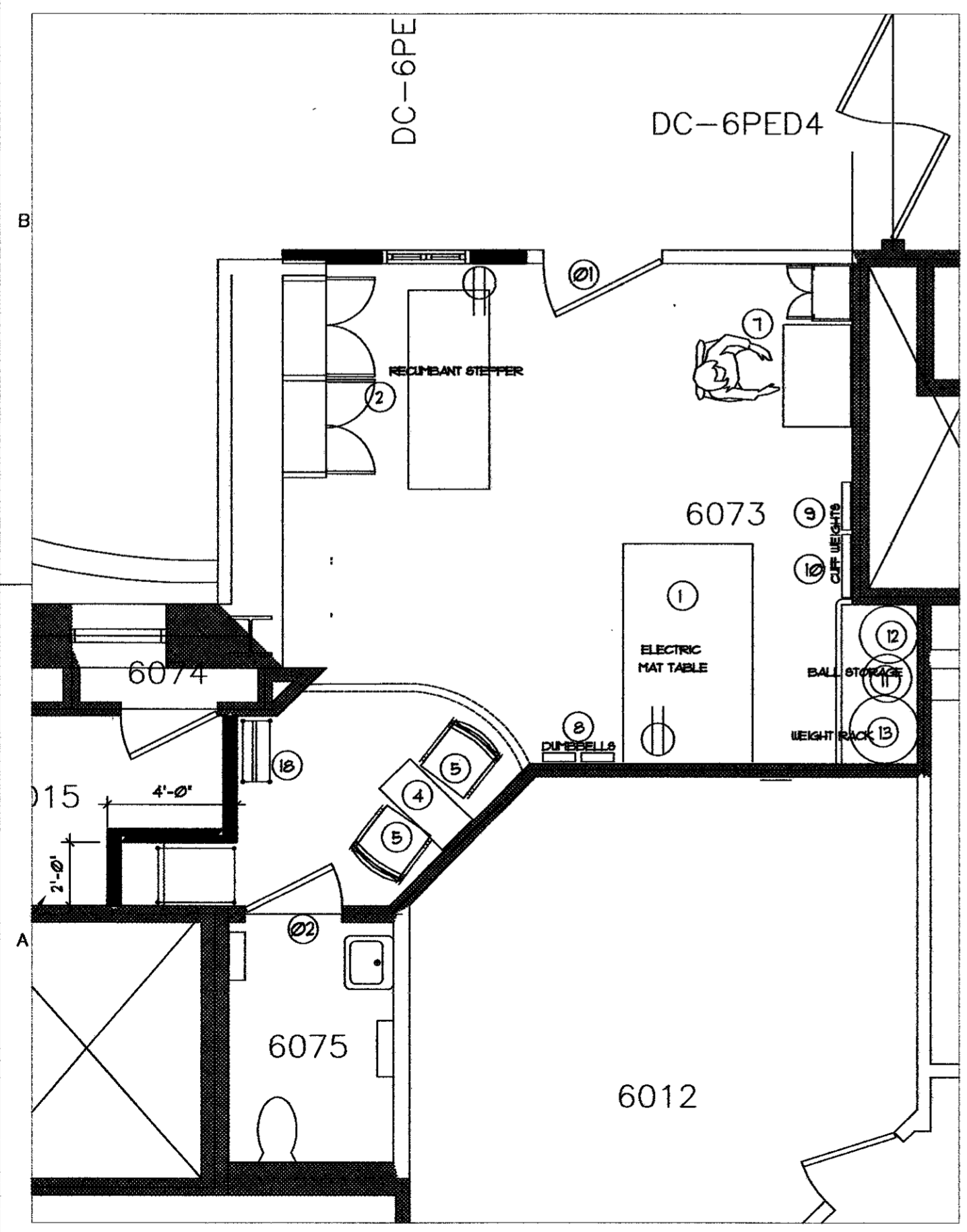
BBCH Rehab Room Expansion



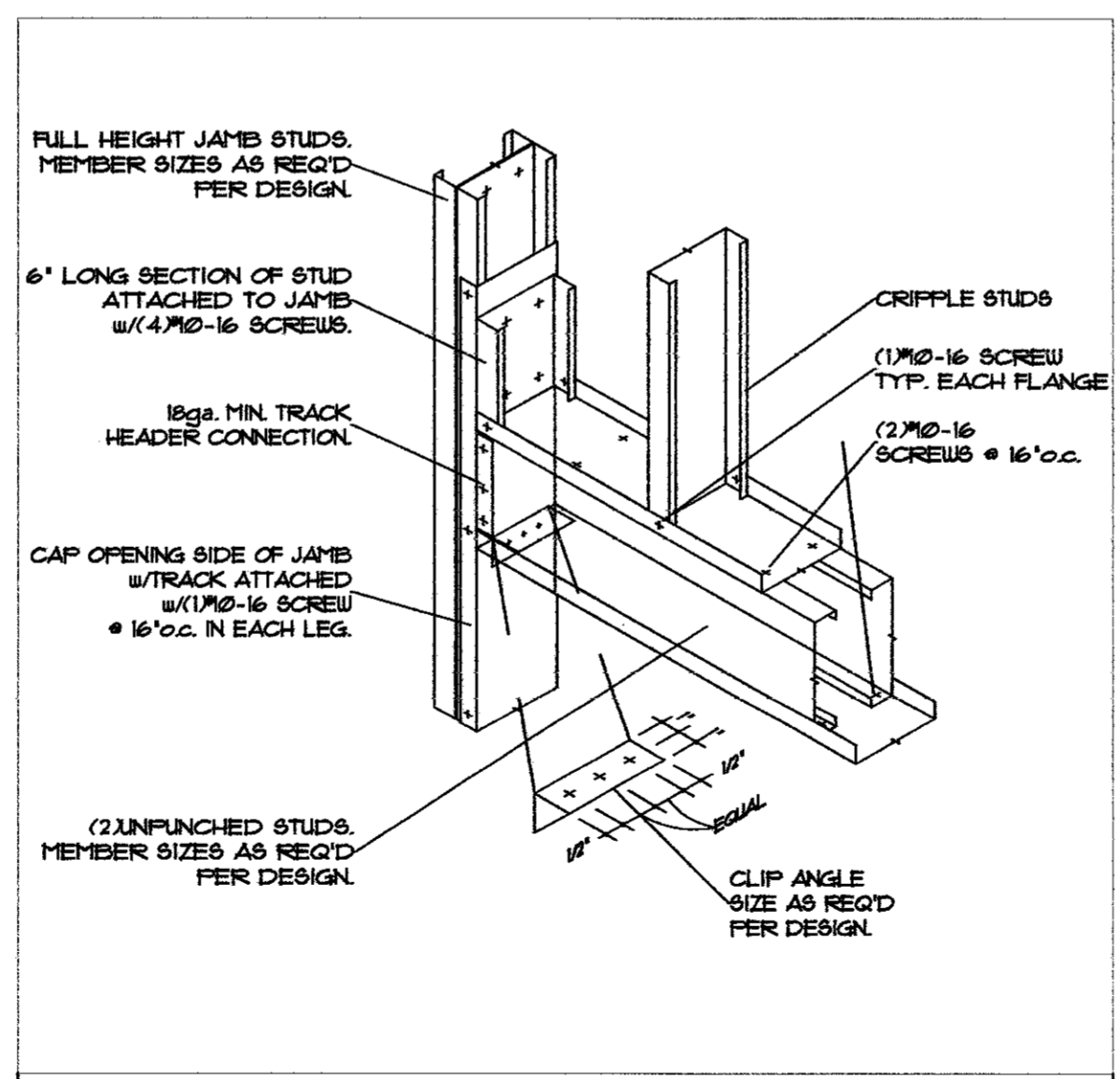
3. Cased Beam @ Lightwell scale: 3" = 1'-0"



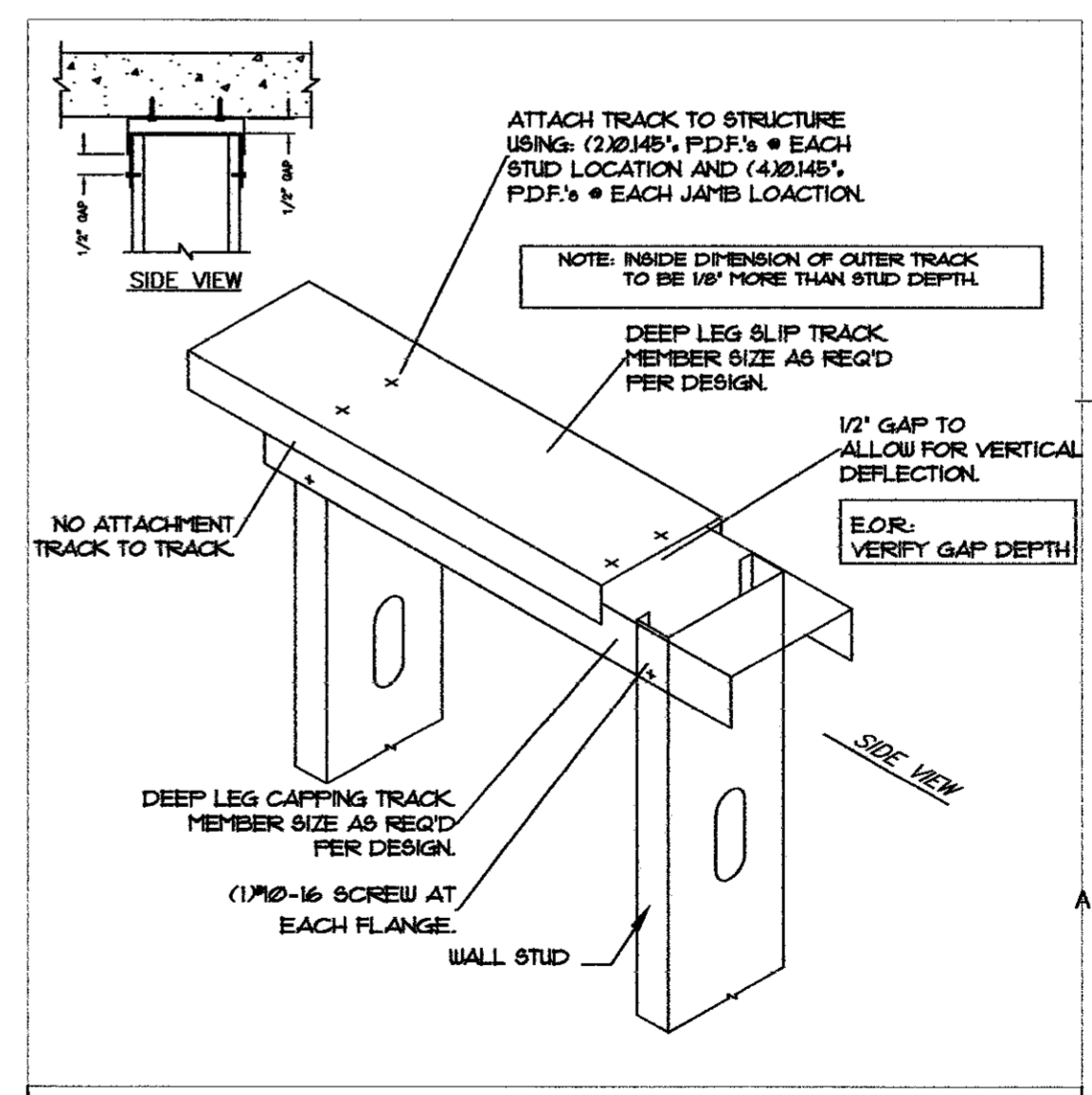
REFLECTED CEILING PLAN - scale: 1/4" = 1'-0"



EQUIPMENT PLAN - scale: 1/4" = 1'-0"



1. Boxed Header Detail scale: none



2. Slip Track Detail scale: none

MARK	DATE	DESCRIPTION
		For Construction
	6/15/10	ISSUE:
		PROJECT NO: 210052
		CAD DWG FILE: NA
		DRAWN BY: NA
		CHECKED BY: NA

SHEET TITLE
FURNITURE, REFLECTED CEILING PLANS
 Scale: AS NOTED