

ROOM FINISH SCHEDULE

ROOM NUMBER	ROOM NAME	FLOOR	BASE	WALLS				CEILING		ROOM NUMBER	REMARKS
				NORTH	SOUTH	EAST	WEST	MATERIAL	HEIGHT		
B23	GC	VCT	RB-1	PTD-1	PTD-1	PTD-1	PTD-1	*	SEE RCP	B23	
B374	CONTROL	RUB	RB-1	PTD-1	PTD-1	PTD-1	PTD-1	ACT-1	SEE RCP	B374	*
B376	LINAC ROOM	RUB	RB-1	PTD-1	PTD-1	PTD-1	PTD-1	ACT-1/GWB	SEE RCP	B376	GWB SOFFITS TO BE PTD-2

GENERAL NOTES:

- SEE SPECIFICATIONS FOR ADDITIONAL INFORMATION REGARDING FINISH MATERIALS.
- DOOR AND WINDOW FRAMES TO BE PTD-1.
- REFER TO RCP FOR SOFFIT HEIGHTS. ALL SOFFITS TO BE PTD-2, UNLESS NOTED OTHERWISE.
- ALL GYP. CEILINGS TO BE PTD-2, UNLESS NOTED OTHERWISE.
- EXISTING SLAB ON GRADE SURFACES ARE TO BE SHOT BLASTED AND A SURFACE APPLIED SEALER SPREAD TO PREVENT MOSITURE. SEE SPECIFICATIONS FOR FURTHER DETAILS.

FINISH ABBREVIATIONS:

- ACT ACoustical CEILING TILE
- AWP Acoustic FABRIC WRAPPED PANEL
- BR BUMPER RAIL
- CG CORNER GUARD
- CONC CONCRETE
- CR CHAIR RAIL
- FC FLASH COVE
- GWB GYPSUM WALLBOARD
- HD WD HARD WOOD
- INS INSULATED
- INS PNL INSULATED PANELS
- PWC PROTECTIVE WALL COVERING
- PLAM PLASTIC LAMINATE
- PTD PAINTED
- RB RUBBER BASE
- RCP REFLECTED CEILING PLAN
- RUB RUBBER FLOORING
- SPP SOLID POLYMER PANEL
- SSM SOLID SURFACE MATERIAL
- VCT VINYL COMPOSITION TILE
- WD WOOD

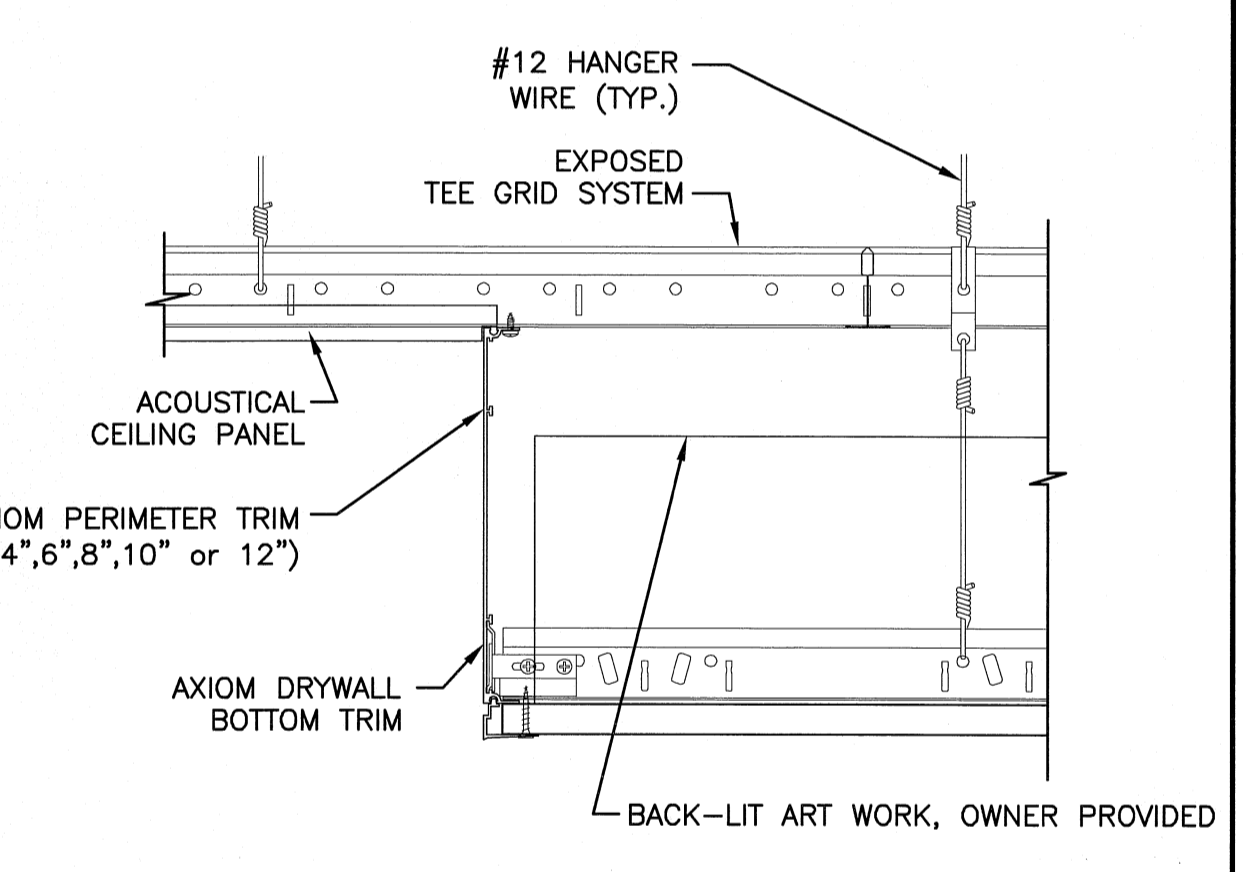
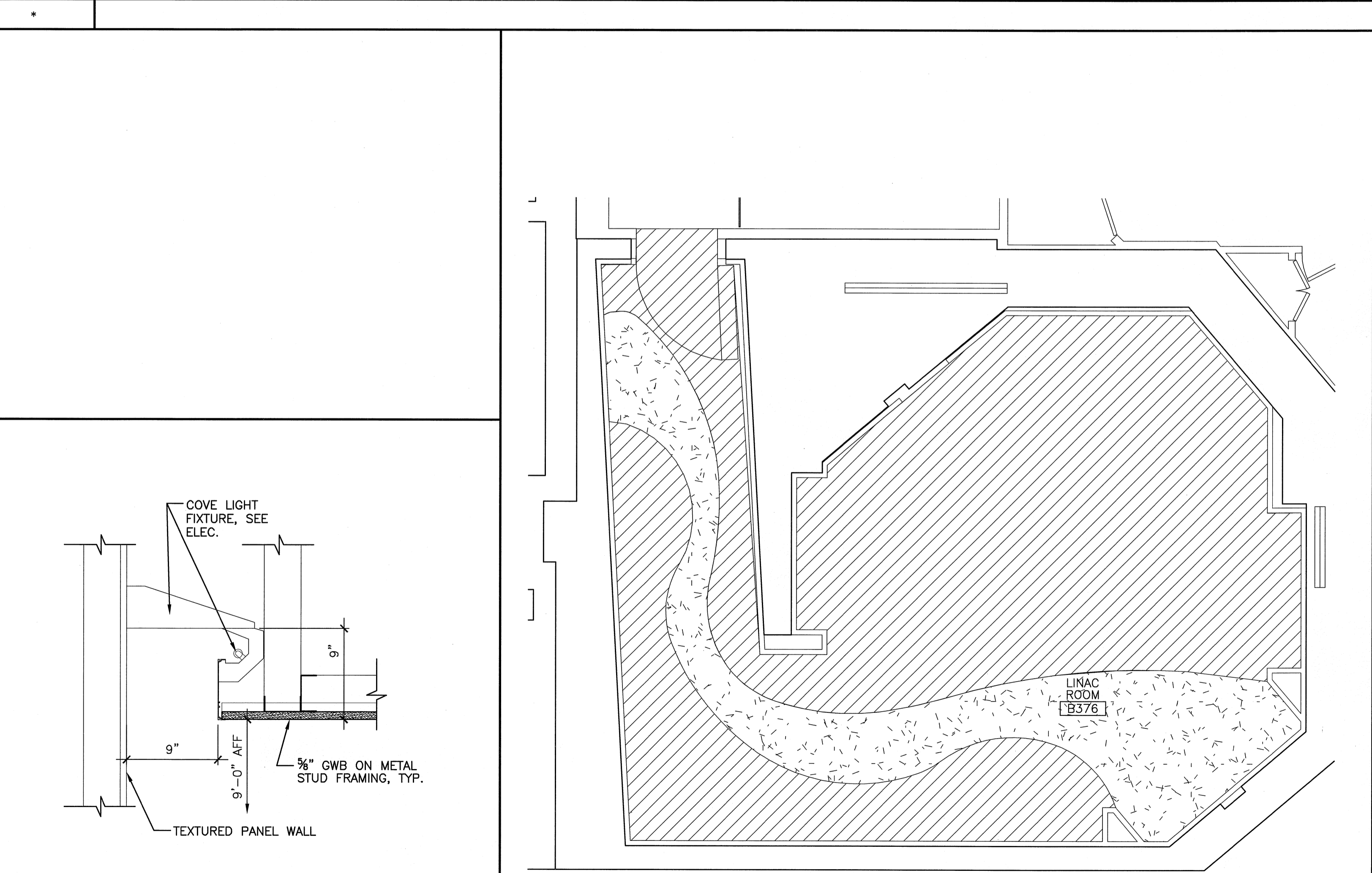
FINISH NOTES:

- ACT-1: USG MARS, CLIMA PLUS, TEGULAR EDGE (SLT), 2'x2'x 3/4"
- AWP: ARMSTRONG SOUNDSOAK WITH C.O.M. FABRIC FABRIC: MAHARAM MINGLE #901190, #003 TUNDRA
- CG: IPC FULL-HEIGHT FLUSH CORNERGUARD, STYLE: 160F (2",90"), COLOR: WHITE SAND
- MCP-1: MODULAR ARTS, PATTERN: SWIM TO BE PAINTED IN FIELD, PTD-1 (4-6 WEEKS LEAD TIME)
- PLAM-1: PIONITE, HONEY MAPLE, WM951 SUEDE
- PLAM-2: FORMICA, MISSION WHITE, 933-58 MATTE FINISH
- PTD-1: ICI ANTIQUE WHITE RM #739
- PTD-2: ICI BLUE DOOR #1492
- RB-1: JOHNSONITE 4" 130 SILAS
- RUB-1: NORA, NORAPLAN, 3MM, ENVIRONCARE #2963 SANDBAR WILLOW
- RUB-2: NORA, NORAPLAN, 3MM, ENVIRONCARE #2964 SUNLIT SEDUM
- SPP-1: 3-FORM, FJORD, 1/2" THICK (CABINETS)
- SPP-2: 3-FORM, FJORD, 1/2" THICK (SUSPENDED WITH 3-FORM HARDWARE)
- SS-1: SOLID SURFACE, CORIAN, BEIGE FIELDSTONE
- VCT-1: ARMSTRONG STANDARD EXCELON, #51810 WASHED LINEN
- VCT-2: ARMSTRONG STANDARD EXCELON, #51804 EARTHSTONE GREIGE
- VCT-3: ARMSTRONG STANDARD EXCELON, #51805 CAMEL BEIGE

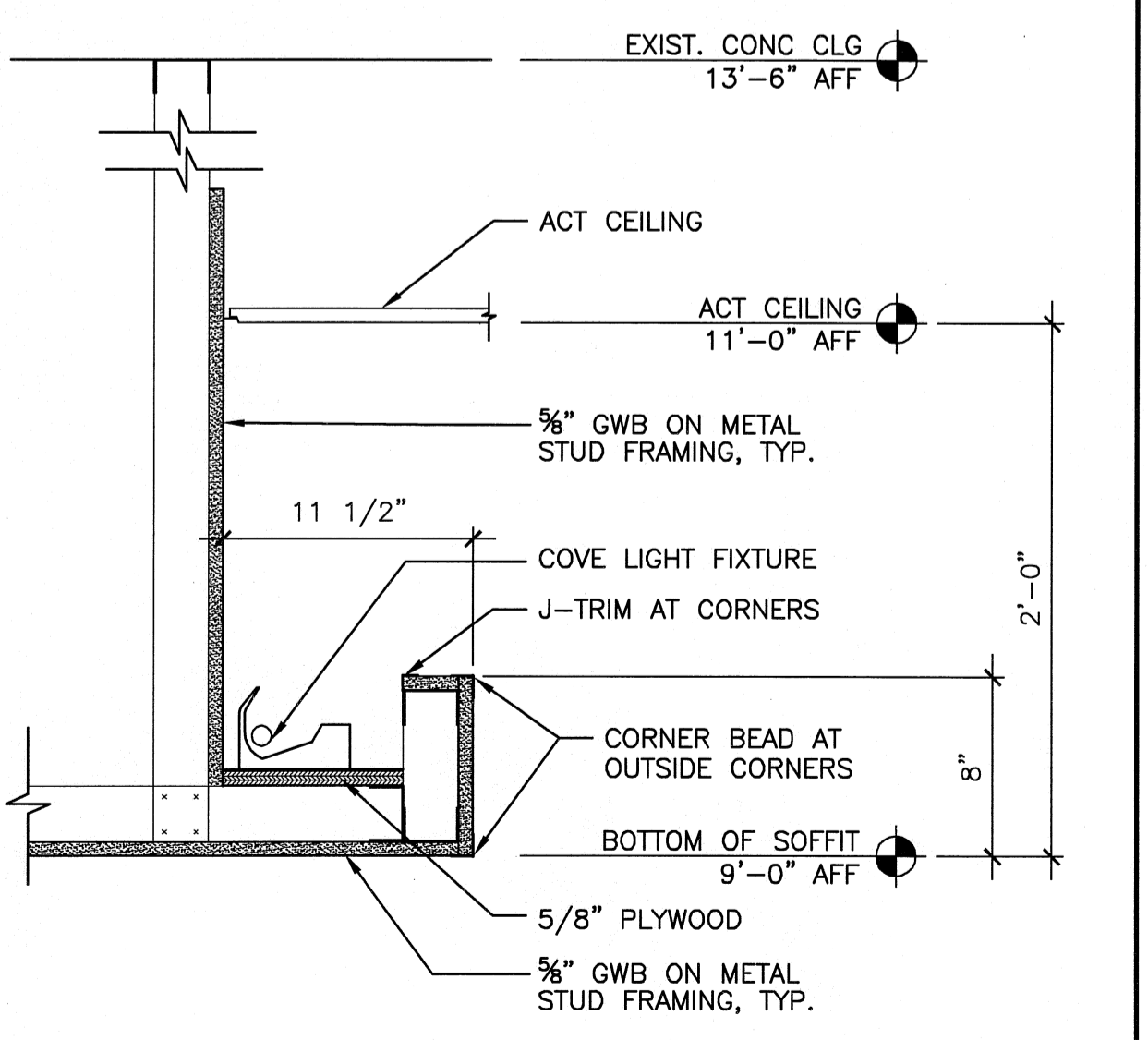
FLOOR PATTERN LEGEND:

- RUB-1 NORA, NORAPLAN, 3MM ENVIRONCARE #2963, SANDBAR WILLOW
- RUB-2 NORA, NORAPLAN, 3MM ENVIRONCARE #2964, SUNLIT SEDUM

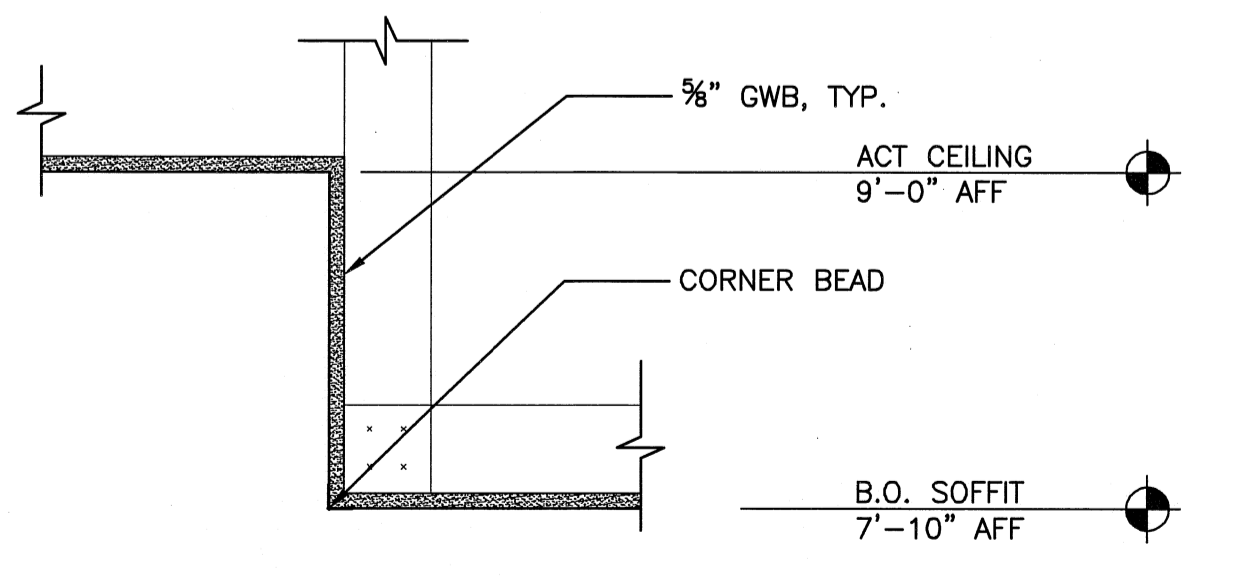
H8 SCHEDULES AND NOTES



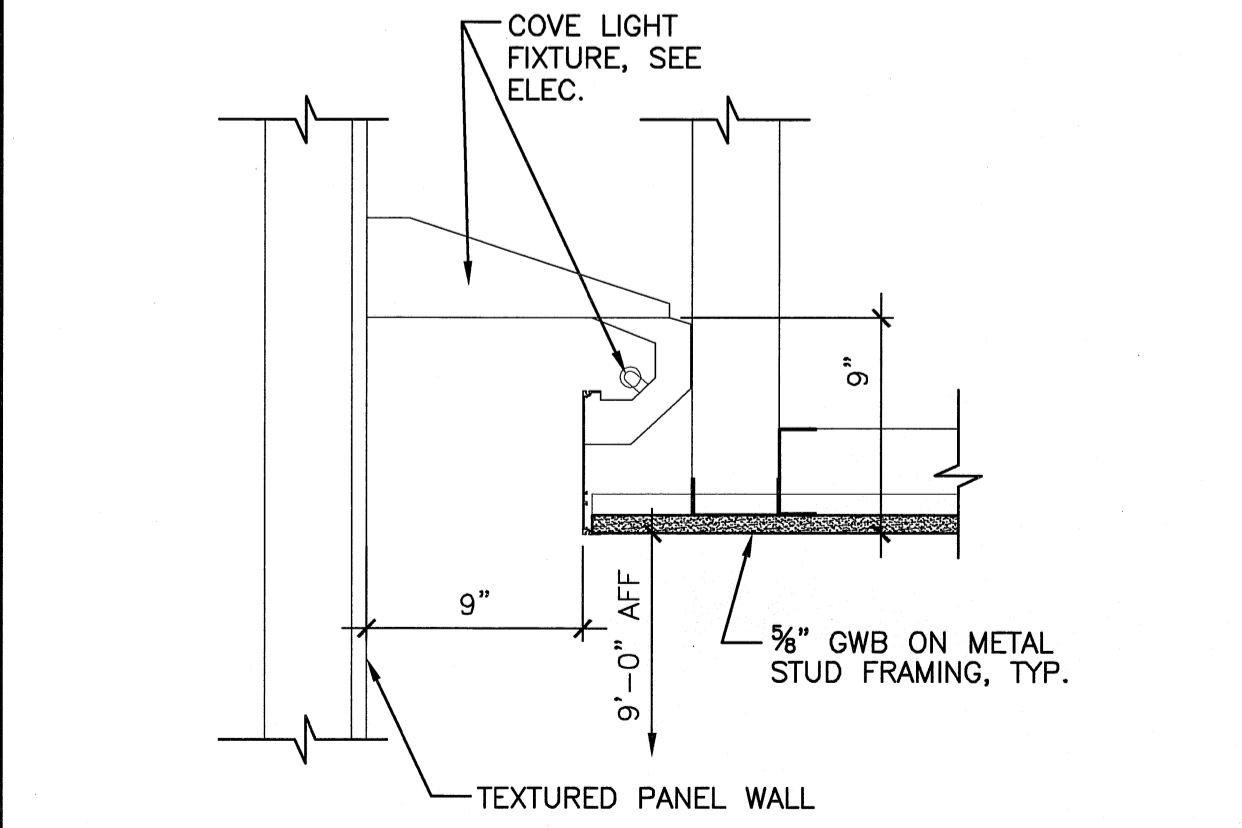
E1 SOFFIT DETAIL
1-1/2"=1'-0"



A1 SOFFIT DETAIL
1-1/2"=1'-0"



A4 SOFFIT DETAIL
1-1/2"=1'-0"



A8 SOFFIT DETAIL
1-1/2"=1'-0"

A8 LINAC FLOOR FINISH
1/4"=1'-0"

144 Fore Street, P.O. Box 618
Portland, Maine 04104
Tel: (207) 772-3846
Fax: (207) 772-1070
www.smartinc.com

ARCHITECTURE
ENGINEERING
PLANNING
INTERIOR DESIGN
COMMISSIONING

SMART

LICENSED ARCHITECT
CRAIG DAVID PIPER
No. 2692
STATE OF MAINE
7.22.08

MAINE MEDICAL CENTER
LINAC REPLACEMENT PROJECT
22 BROWN HILL ST PORTLAND, MAINE
CURRENT ISSUE STATUS:
ISSUED FOR CONSTRUCTION
9-19-08
CURRENT ISSUE STATUS:

REV	DESCRIPTION	DATE
0	ISSUED FOR CONSTRUCTION	9-19-08

SCALE: AS NOTED
PROJECT MANAGER: CDP
JC/DRAWN BY: MDR
A/E OF RECORD: CDP
CAD FILE: AE601-08134
PROJECT NO: 08134
DATE: 9-19-08
SHEET TITLE:
INTERIOR FINISHES AND DETAILS
SHEET No. AE601
© COPYRIGHT 2008 SMART INC.