

PAVILION "A"

MECHANICAL GENERAL NOTE

1. MEASURE AIRFLOWS THROUGHOUT ENTIRE SUPPLY AIR SYSTEM(S) WITHIN PROJECT SCOPE AND SUBMIT TO ARCHITECT/ENGINEER FOR REVIEW PRIOR TO ANY HVAC DEMOLITION OR NEW WORK.

MECHANICAL KEYNOTES

- 1 NO MECHANICAL WORK SCOPE IN THIS AREA.
- 2 EXTEND NEW SUPPLY AIR DUCTWORK TO EXISTING DUCT MAIN ABOVE CORRIDOR CEILING. REMOVE ALL EXISTING DUCTWORK, EQUIPMENT AND ACCESSORIES IMMEDIATELY SERVING INDICATED SPACE.
- 3 INVESTIGATE EXHAUST AIR SYSTEM(S) WITHIN PROJECT SCOPE. RE-BALANCE AIRFLOWS IN INDICATED TOILET ROOMS TO EXHAUST 75 CFM PER TOILET FIXTURE. IF THIS IS NOT POSSIBLE DUE TO EXISTING SITE CONDITIONS, SUBMIT FINDINGS OF INVESTIGATION TO ARCHITECT/ENGINEER FOR REVIEW PRIOR TO ANY HVAC DEMOLITION OR NEW WORK.
- 4 REMOVE EXISTING STEAM CONVECTOR AND ALL ASSOCIATED ACCESSORIES. REPLACE RADIATOR IN KIND. PROVIDE AUTOMATIC CONTROL VALVING ACTIVATED BY NEW ROOM THERMOSTAT AS INDICATED. COORDINATE RADIATOR COVER INSTALLATION WITH ARCHITECT.
- 5 EXISTING DUCT HEATER TO REMAIN SERVING SPACES INCLUDING THREE (3) NEW "ECHO" ROOMS IN PROJECT SCOPE. VERIFY DUCT HEATER LOCATION IN FIELD. PROVIDE NEW DDC CONTROL TO OPERATE BASED ON AVERAGING OF THREE (3) NEW THERMOSTAT READINGS AS INDICATED. PROVIDE NEW REHEAT COIL VALVE, ACTUATOR & DDC THERMOSTATS. ALL CONTROLS SHALL BE HONEYWELL, EXTENDED FROM EXISTING BUILDING BAS.
- 6 EXTEND NEW SUPPLY AIR DUCTWORK TO EXISTING DUCT MAIN LOCATED APPROXIMATELY ABOVE "CLEAN SUPPLY" ROOM 2205.
- 7 EXTEND NEW RETURN AIR DUCTWORK TO EXISTING DUCT MAIN LOCATED APPROXIMATELY ABOVE "HOLTER LAB" ROOM 2213.
- 8 RE-LOCATE EXISTING 48"x24" CEILING RETURN GRILLE INDICATED ALONG INTERIOR WALL TO NEW LOCATED NEAR WINDOW. EXTEND RETURN DUCTWORK AS NECESSARY.
- 9 EXTEND NEW HEATING PIPING TO EXISTING PIPING MAINS LOCATED APPROXIMATELY AT EXISTING DUCT HEATER TO BE REMOVED. (REFER TO KEYNOTE #10 FOR EXISTING DUCT HEATER REMOVAL INFORMATION.)
- 10 REMOVE EXISTING DUCT HEATER. REMOVE ALL ASSOCIATED DOWNSTREAM SUPPLY AIR DUCTWORK, EQUIPMENT AND ACCESSORIES. CAP SUPPLY AIR DUCTWORK AT UPSTREAM SIDE FOR RE-CONNECTION. CAP ALL ASSOCIATED PIPING FOR RE-CONNECTION. (REFER TO KEYNOTE #6 FOR NEW DUCT INSTALLATION INFORMATION AND TO KEYNOTE #9 FOR NEW PIPING INSTALLATION INFORMATION.)



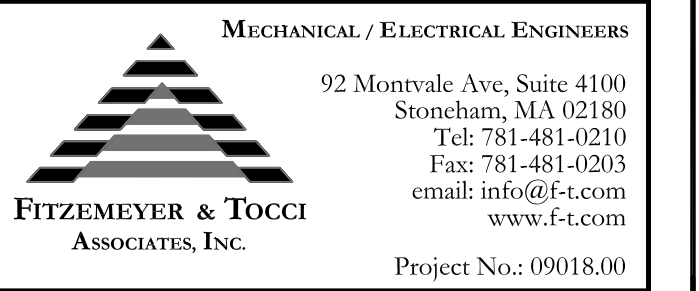
Seals

BECKER
structural engineers, inc.

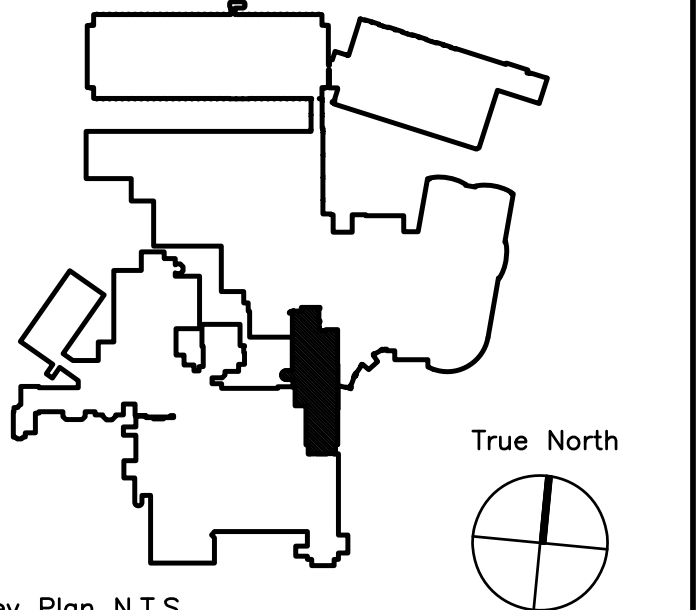
75 York Street
Portland, ME 04101-4701
info@beckerstructural.com

Tel 207-879-1838
Fax 207-879-1822
www.beckerstructural.com

Consultant

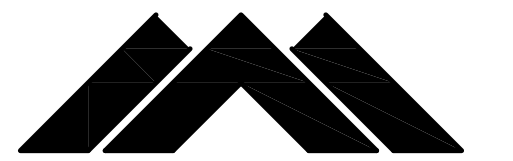


Consultant



Key Plan N.T.S.

REVISION #	DATE	NO
REVISION #1	01/12/10	2
ADDENDUM #1	12/4/09	1
Revision	Date	No

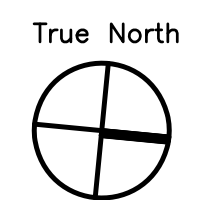


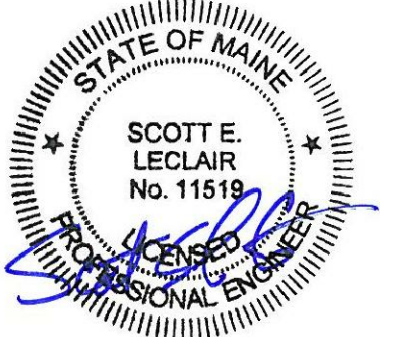
Maine Medical Center
Portland, Maine

MAINE MEDICAL CENTER
PAVILION 6 RENOVATIONS

MorrisSwitzer Project Number: 28034
Date 11/19/09
Scale 1/8" = 1'-0"

Sheet Title and Number
SECOND FLOOR
PAVILION "A" INTERIM OCCUPANCY
MECHANICAL PLAN
1M1.0





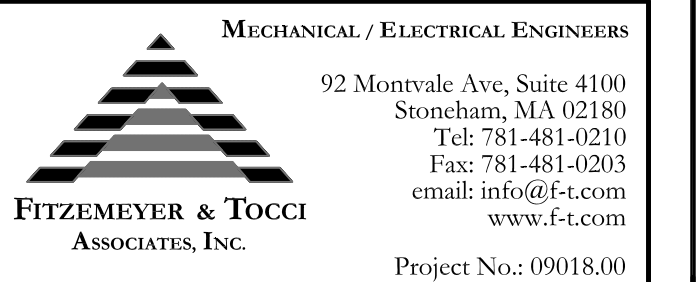
Seals

BECKER
structural engineers, inc.

75 York Street
Portland, ME 04101-4701
info@beckerstructural.com

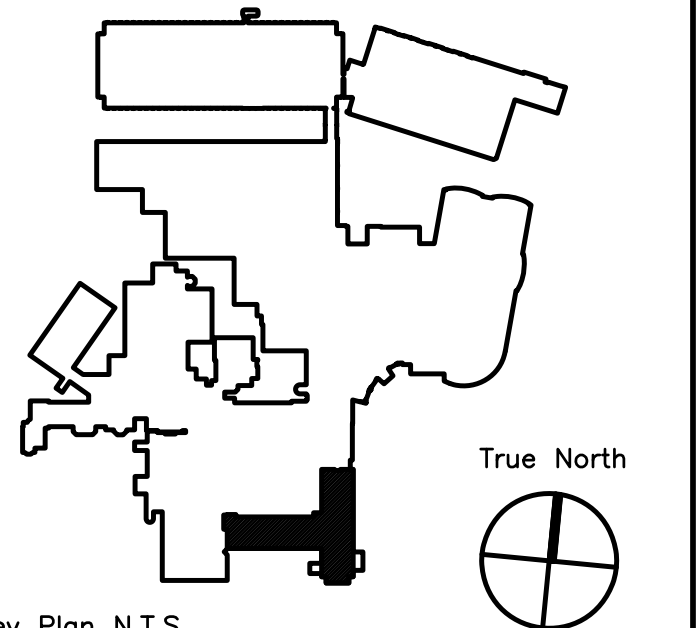
Tel 207-879-1838
Fax 207-879-1822
www.beckerstructural.com

Consultant



MECHANICAL / ELECTRICAL ENGINEERS
92 Montvale Ave, Suite 4100
Saco, ME 04158
Tel: 781-481-0210
Fax: 781-481-0203
email: info@f-t.com
www.f-t.com
Project No.: 09018.00

Consultant



Key Plan N.T.S.

ADDENDUM#	Date	No
1	12/4/09	1
Revision		

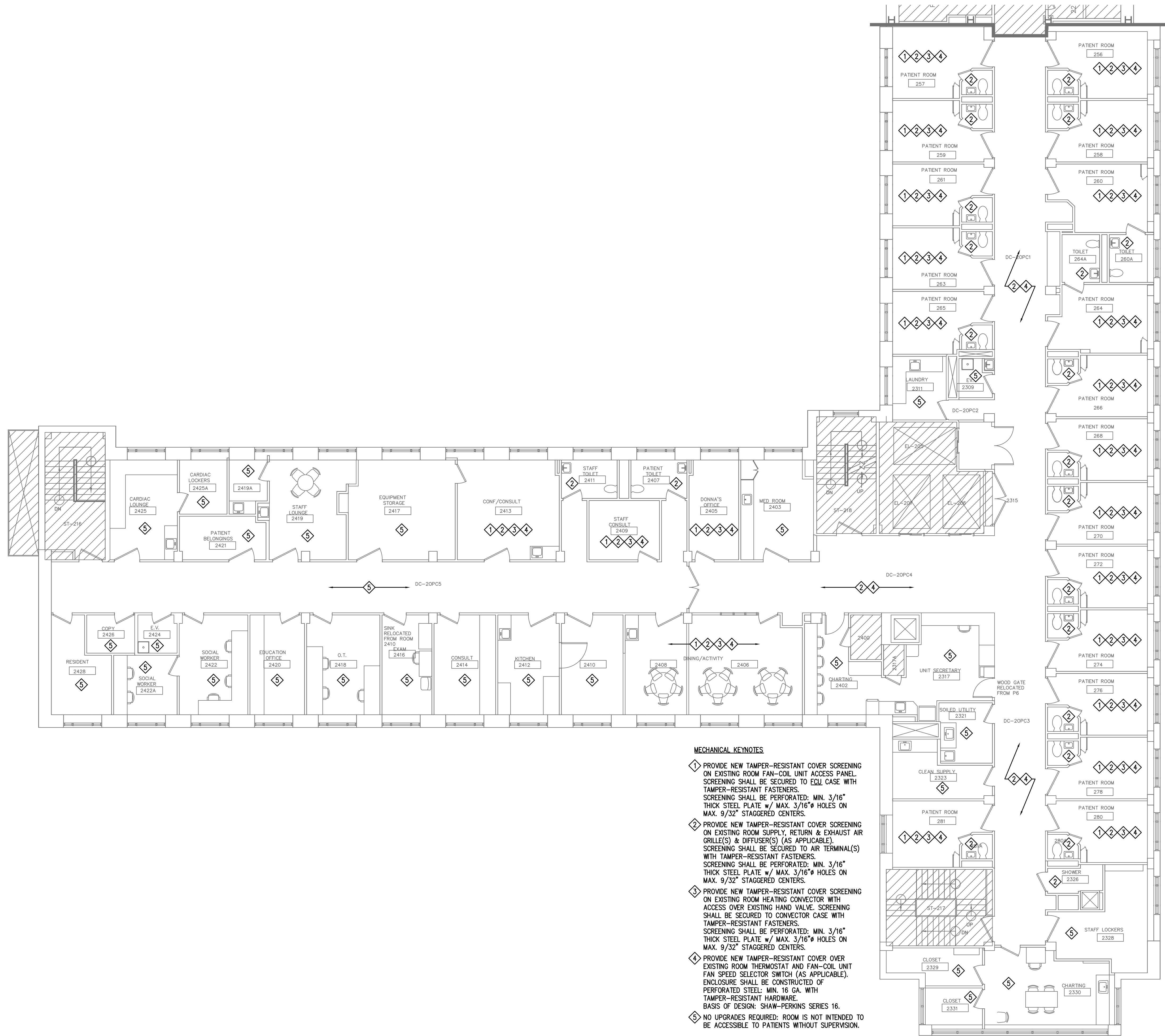
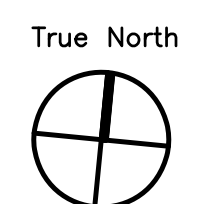


Maine Medical Center
Portland, Maine

MAINE MEDICAL CENTER
PAVILION 6 RENOVATIONS

MorrisSwitzer Project Number 28034
Date 11/19/09
Scale 1/8" = 1'-0"

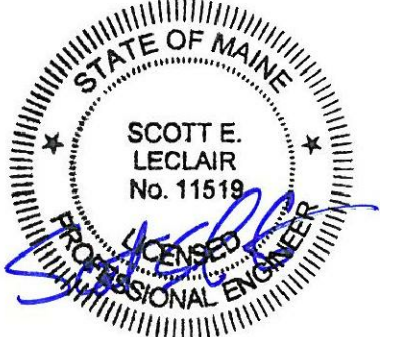
Sheet Title and Number
SECOND FLOOR
PAVILION "C" & "D"
INTERIM OCCUPANCY
MECHANICAL PLAN
2M1.0



MECHANICAL KEYNOTES

- 1 PROVIDE NEW TAMPER-RESISTANT COVER SCREENING ON EXISTING ROOM FAN-COIL UNIT ACCESS PANEL. SCREENING SHALL BE SECURED TO EQL CASE WITH TAMPER-RESISTANT FASTENERS. SCREENING SHALL BE PERFORATED: MIN. 3/16" THICK STEEL PLATE w/ MAX. 3/16" HOLES ON MAX. 9/32" STAGGERED CENTERS.
- 2 PROVIDE NEW TAMPER-RESISTANT COVER SCREENING ON EXISTING ROOM SUPPLY, RETURN & EXHAUST AIR GRILLE(S) & DIFFUSER(S) (AS APPLICABLE). SCREENING SHALL BE SECURED TO AIR TERMINAL(S) WITH TAMPER-RESISTANT FASTENERS. SCREENING SHALL BE PERFORATED: MIN. 3/16" THICK STEEL PLATE w/ MAX. 3/16" HOLES ON MAX. 9/32" STAGGERED CENTERS.
- 3 PROVIDE NEW TAMPER-RESISTANT COVER SCREENING ON EXISTING ROOM HEATING CONVECTOR WITH ACCESS OVER EXISTING HAND VALVE. SCREENING SHALL BE SECURED TO CONVECTOR CASE WITH TAMPER-RESISTANT FASTENERS. SCREENING SHALL BE PERFORATED: MIN. 3/16" THICK STEEL PLATE w/ MAX. 3/16" HOLES ON MAX. 9/32" STAGGERED CENTERS.
- 4 PROVIDE NEW TAMPER-RESISTANT COVER OVER EXISTING ROOM THERMOSTAT AND FAN-COIL UNIT FAN SPEED SELECTOR SWITCH (AS APPLICABLE). ENCLOSURE SHALL BE CONSTRUCTED OF PERFORATED STEEL: MIN. 16 GA. WITH TAMPER-RESISTANT HARDWARE. BASIS OF DESIGN: SHAW-PERKINS SERIES 16.
- 5 NO UPGRADES REQUIRED- ROOM IS NOT INTENDED TO BE ACCESSIBLE TO PATIENTS WITHOUT SUPERVISION.

PAVILION "C" AND "D"



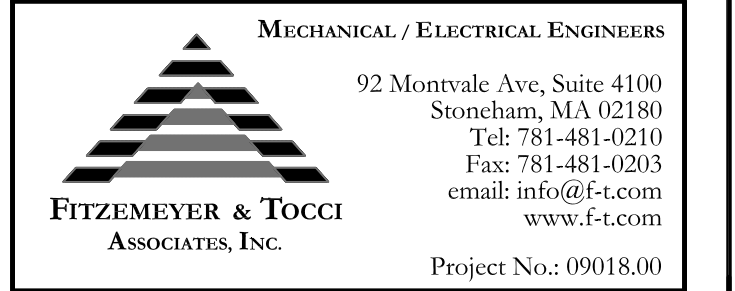
Seals

BECKER
structural engineers, inc.

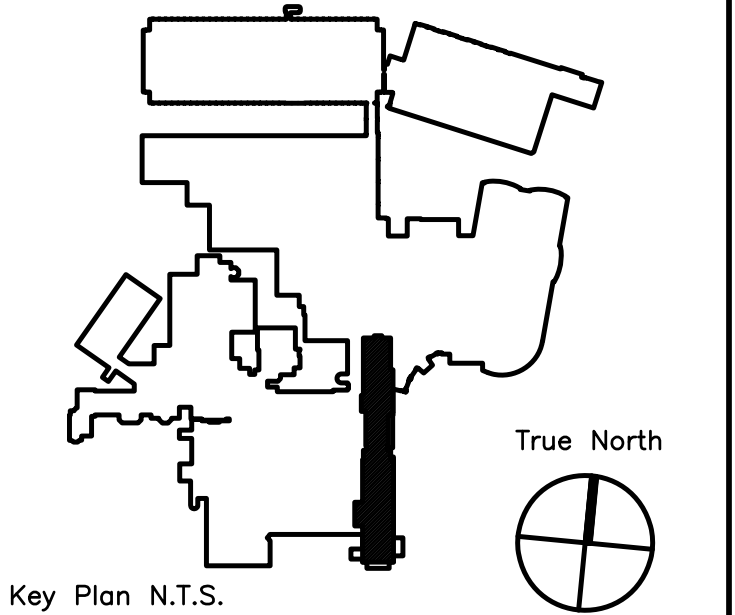
75 York Street
Portland, ME 04101-4701
info@beckerstructural.com

Tel 207-879-1838
Fax 207-879-1822
www.beckerstructural.com

Consultant

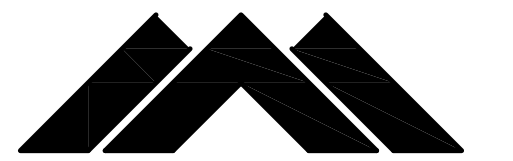


Consultant



Key Plan N.T.S.

ADDENDUM#	Date	No
ADDENDUM#1	12/4/09	1
Revision	Date	No



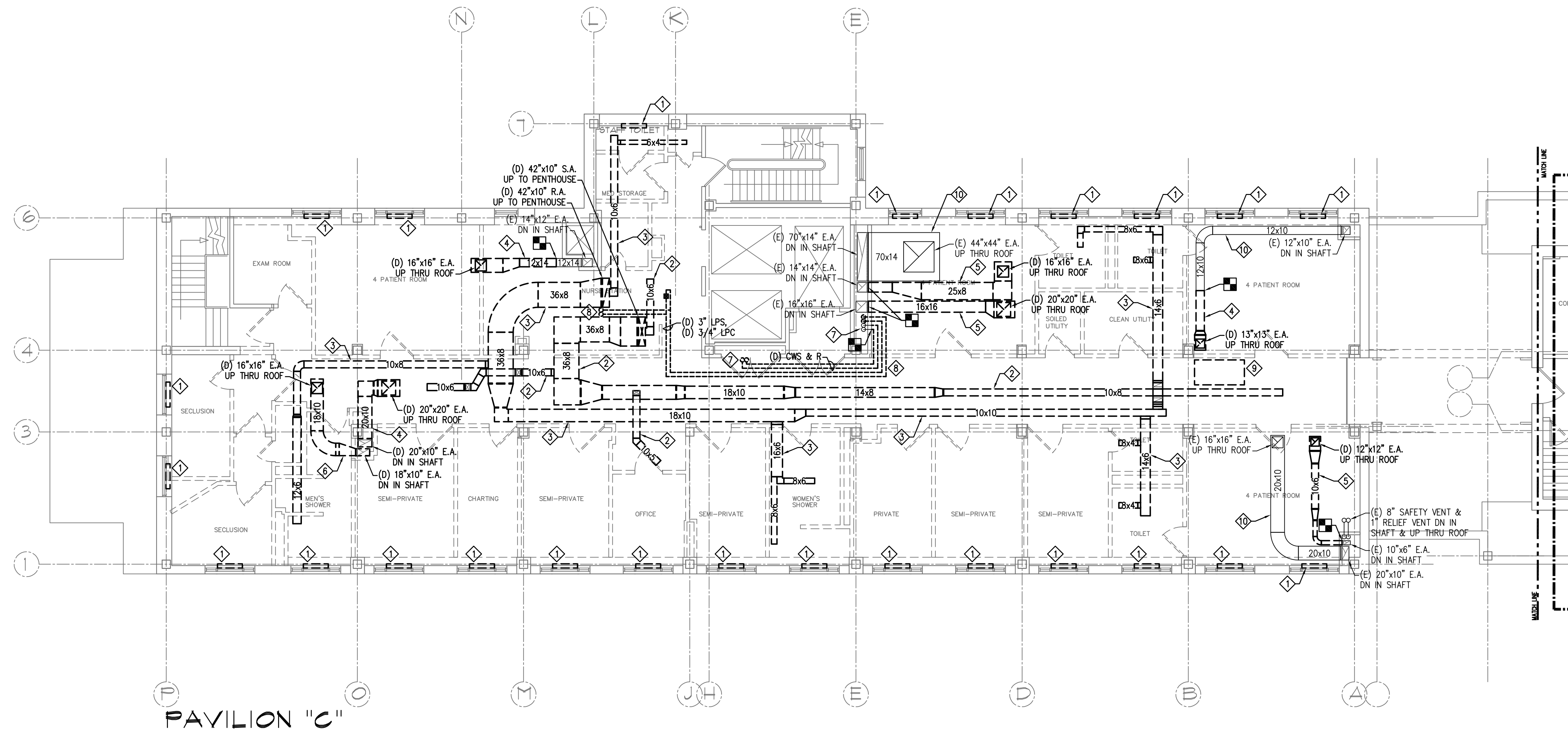
Maine Medical Center
Portland, Maine

MAINE MEDICAL CENTER
PAVILION 6 RENOVATIONS

MorrisSwitzer Project Number 28034
Date 11/19/09
Scale 1/8" = 1'-0"
Sheet Title and Number

SIXTH FLOOR PAVILIONS "A" & "C" MECHANICAL DEMOLITION PLAN

3M1.0



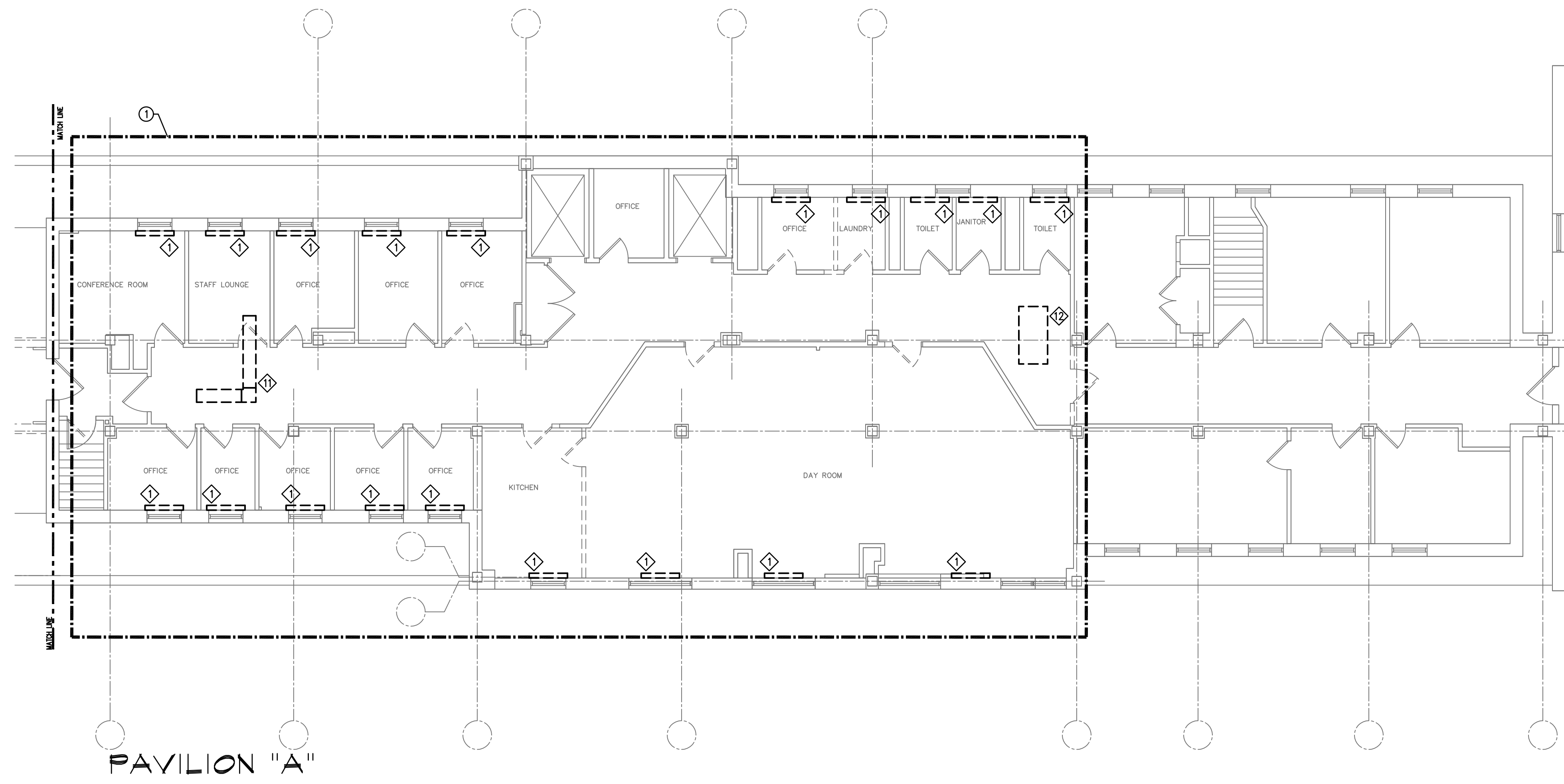
PAVILION "C"

MECHANICAL DEMOLITION KEYNOTES

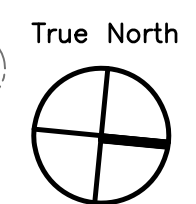
- ① REMOVE EXISTING CONVECTOR / FIN TUBE RADIATION. CAP PIPING ON FLOOR BELOW.
- ② REMOVE ALL EXISTING SUPPLY DUCTWORK, RUN-OUTS & ASSOCIATED DIFFUSERS SERVING P6.
- ③ REMOVE ALL EXISTING RETURN DUCTWORK, RUN-OUTS & ASSOCIATED GRILLES SERVING P6.
- ④ REMOVE EXISTING EXHAUST DUCTWORK AS INDICATED. AIRFLOW TO BE RE-ROUTED TO NEW ROOF-TOP EE AS INDICATED IN NEW WORK PHASE. REFER TO DWGS 3M2.0 & 3M2.2 FOR NEW EXHAUST WORK.
- ⑤ REMOVE EXISTING EXHAUST DUCTWORK AS INDICATED AND CAP WITHIN SHAFT.
- ⑥ REMOVE EXISTING EXHAUST DUCTWORK AS INDICATED AND CAP WITHIN 5TH FLOOR CEILING SPACE BELOW.
- ⑦ REMOVE EXISTING CONDENSER WATER PIPING AS INDICATED. PIPING TO BE RE-ROUTED AS INDICATED IN NEW WORK PHASE. REFER TO DWGS 3M2.1 & 3M2.2 FOR NEW PIPING WORK.
- ⑧ REMOVE EXISTING LOW-PRESSURE STEAM & CONDENSATE PIPING AS INDICATED AND CAP WITHIN INTERMEDIATE MECHANICAL SPACE BELOW 5TH FLOOR.
- ⑨ REMOVE EXISTING CITY-WATER-COOLED AIR CONDITIONER AND ALL ASSOCIATED PIPING, CONTROLS & ACCESSORIES.
- ⑩ RE-LOCATE EXISTING DUCTWORK AS NECESSARY FOR COORDINATION.
- ⑪ REMOVE EXISTING TRANSFER DUCTWORK AND ASSOCIATED TERMINALS.
- ⑫ REMOVE EXISTING AIR HANDLER, ALL ASSOCIATED SUPPLY AND RETURN DUCTWORK, RUN-OUTS & DIFFUSERS. REMOVE ASSOCIATED ROOF-TOP CONDENSING UNIT AND ALL PIPING. SEE DWG 3M1.1 FOR ROOF-TOP DEMO WORK.

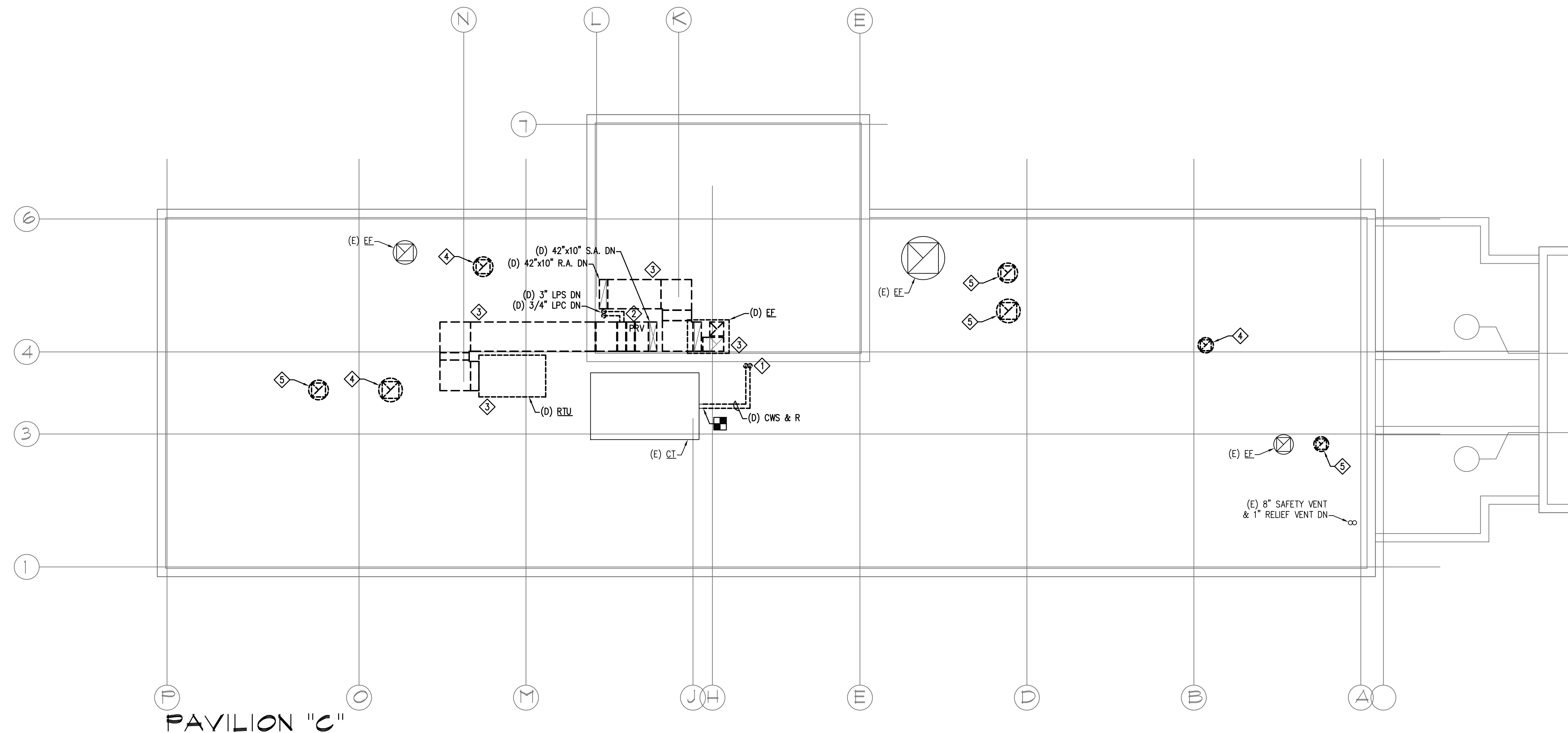
MECHANICAL GENERAL KEYNOTE

- ① PROVIDE BID ALTERNATE (ALTERNATE #4) FOR ALL PAVILION "A" WORK.



PAVILION "A"

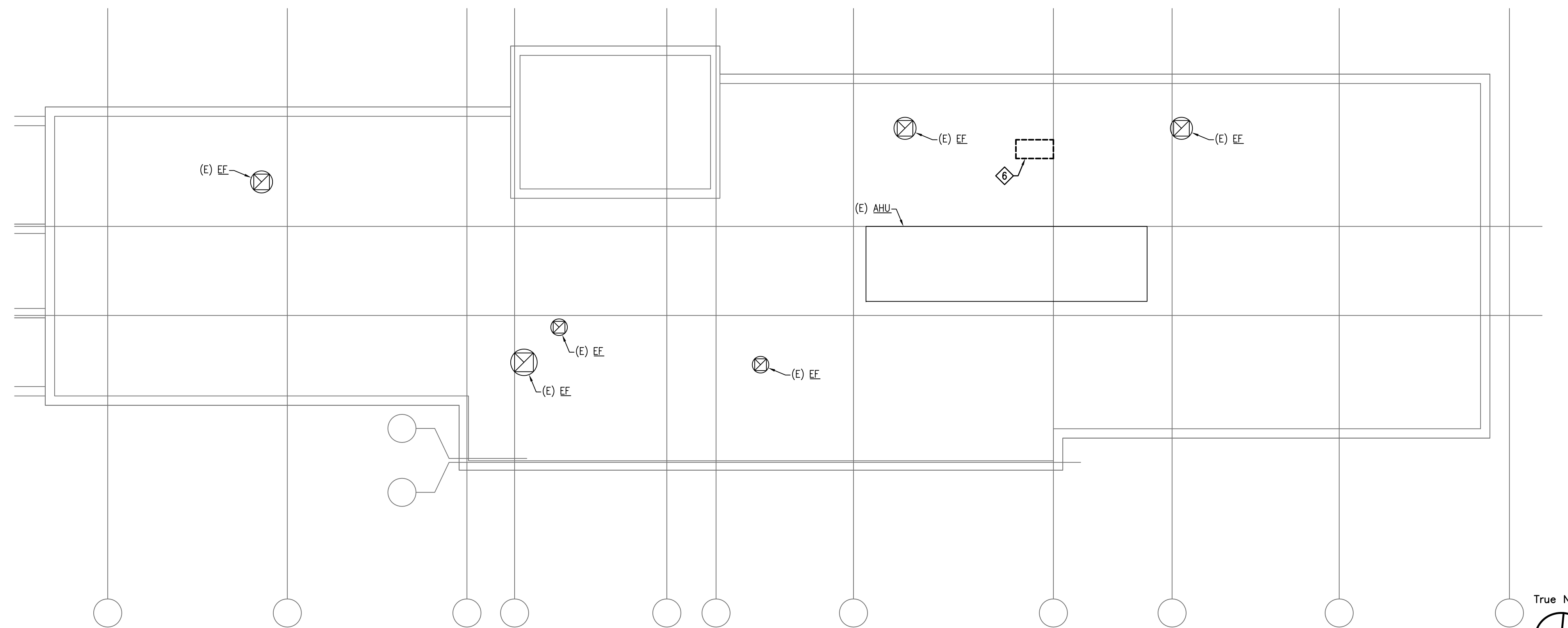




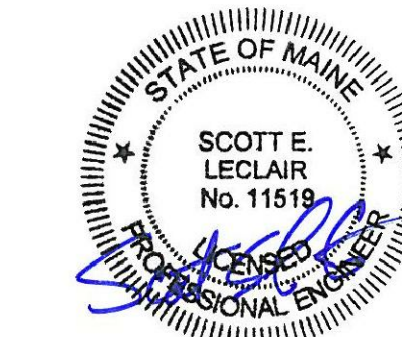
PAVILION "C"

MECHANICAL DEMOLITION KEYNOTES

- 1 REMOVE EXISTING CONDENSER WATER PIPING AS INDICATED. EXISTING COOLING TOWER TO REMAIN. PIPING TO BE RE-ROUTED AS INDICATED IN NEW WORK PHASE. REFER TO DWGS 3M2.1 & 3M2.2 FOR NEW PIPING WORK.
- 2 REMOVE EXISTING LOW-PRESSURE STEAM & CONDENSATE PIPING AS INDICATED AND CAP WITHIN INTERMEDIATE MECHANICAL SPACE BELOW 5TH FLOOR.
- 3 REMOVE EXISTING HVAC SYSTEM AS INDICATED, INCLUDING ROOF-TOP UNIT, EXHAUST FAN, STEAM HEATING COIL AND ALL ASSOCIATED DUCTWORK AND ACCESSORIES. RTU TO BE TURNED OVER TO OWNER AFTER REMOVAL.
- 4 REMOVE EXISTING EXHAUST FAN AND CURB AND PATCH ROOF. RETAIN EQUIPMENT FOR RE-LOCATION IN NEW WORK PHASE. REFER TO DWG. 3M2.2 FOR NEW LOCATION.
- 5 REMOVE EXISTING EXHAUST FAN AND CURB AND PATCH ROOF.
- 6 REMOVE EXISTING CONDENSING UNIT AND ASSOCIATED PIPING & ACCESSORIES. PATCH ROOF.



PAVILION "A"



Seals

BECKER
structural engineers, inc.

75 York Street
Portland, ME 04101-4701
info@beckerstructural.com

Tel 207-879-1838
Fax 207-879-1822
www.beckerstructural.com

Consultant

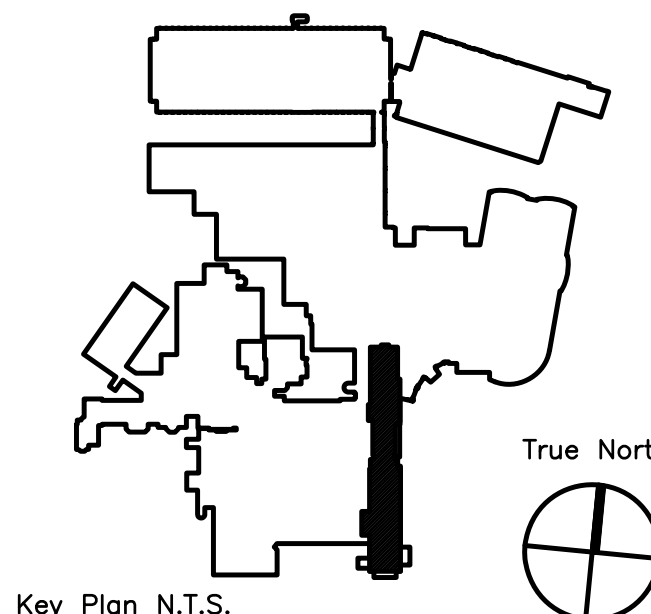
MECHANICAL / ELECTRICAL ENGINEERS

92 Montvale Ave, Suite 4100
Saco, ME 04158
Tel: 781-481-0210
Fax: 781-481-0203
email: info@f-t.com
www.f-t.com

FITZMEYER & TOCCI
ASSOCIATES, INC.

Project No.: 09018.00

Consultant



Key Plan N.T.S.

ADDENDUM#	Date	No
1	12/4/09	1
Revision	Date	No



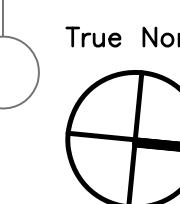
Maine Medical Center
Portland, Maine

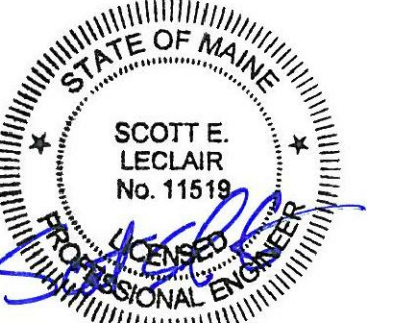
MAINE MEDICAL CENTER
PAVILION 6 RENOVATIONS

MorrisSwitzer Project Number 28034
Date 11/19/09
Scale 1/8" = 1'-0"
Sheet Title and Number

SIXTH FLOOR PAVILIONS "A" & "C" MECHANICAL DEMOLITION ROOF PLAN

3M1.1



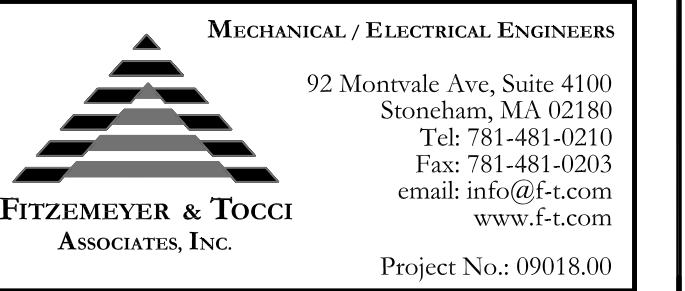


Seals

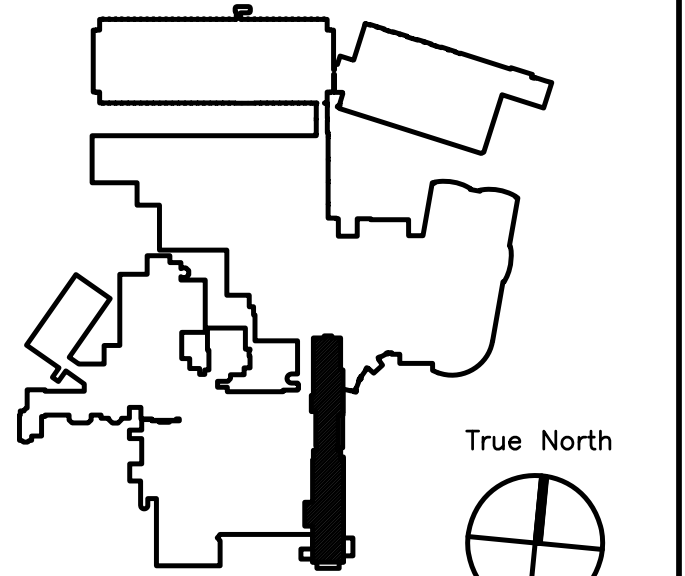
BECKER
structural engineers, inc.

75 York Street Portland, ME 04101-4701
info@beckerstructural.com
Tel 207-879-1838 Fax 207-879-1822
www.beckerstructural.com

Consultant



Consultant



Key Plan N.T.S.

ADDENDUM#	Date	No
ADDENDUM#1	12/4/09	1
Revision		



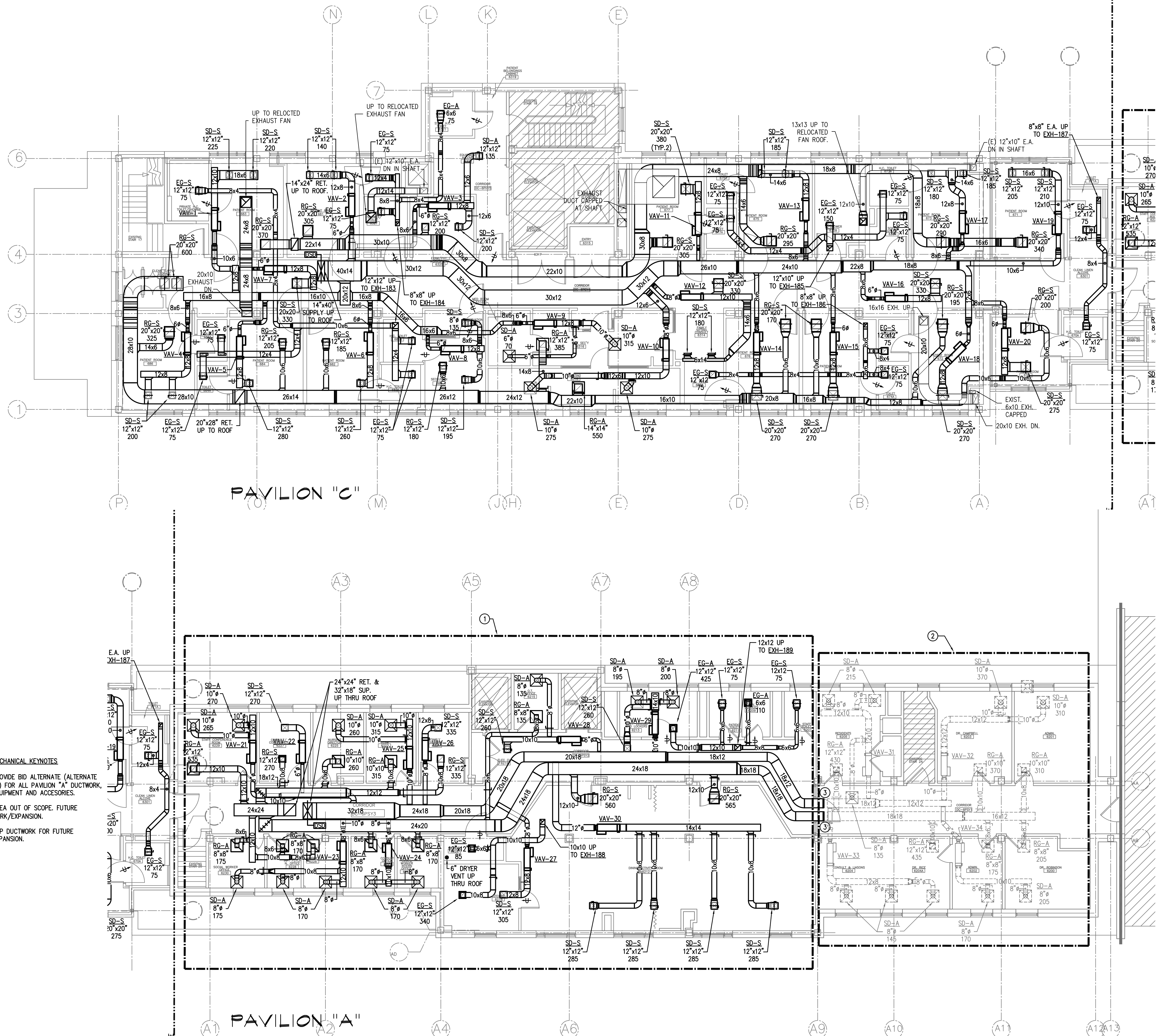
Maine Medical Center
Portland, Maine

MAINE MEDICAL CENTER
PAVILION 6 RENOVATIONS

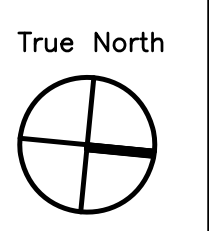
MorrisSwitzer Project Number 28034
Date 11/19/09
Scale 1/8" = 1'-0"
Sheet Title and Number

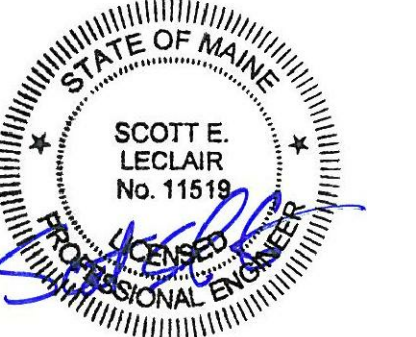
SIXTH FLOOR PAVILIONS "A" & "C" MECHANICAL NEW DUCTWORK PLAN

3M2.0



- MECHANICAL KEYNOTES**
- 1 PROVIDE BID ALTERNATE (ALTERNATE #4) FOR ALL PAVILION "A" DUCTWORK, EQUIPMENT AND ACCESSORIES.
 - 2 AREA OUT OF SCOPE. FUTURE WORK/EXPANSION.
 - 3 CAP DUCTWORK FOR FUTURE EXPANSION.





Seals

BECKER
structural engineers, inc.

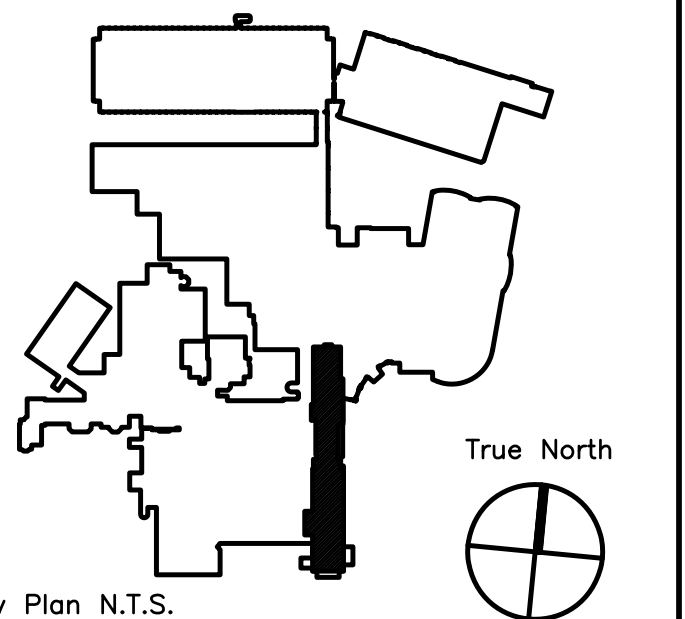
75 York Street
Portland, ME 04101-4701
info@beckerstructural.com

Tel 207-879-1838
Fax 207-879-1822
www.beckerstructural.com

Consultant



Consultant



Key Plan N.T.S.

ADDENDUM#	Date	No
ADDENDUM#1	12/4/09	1
Revision		



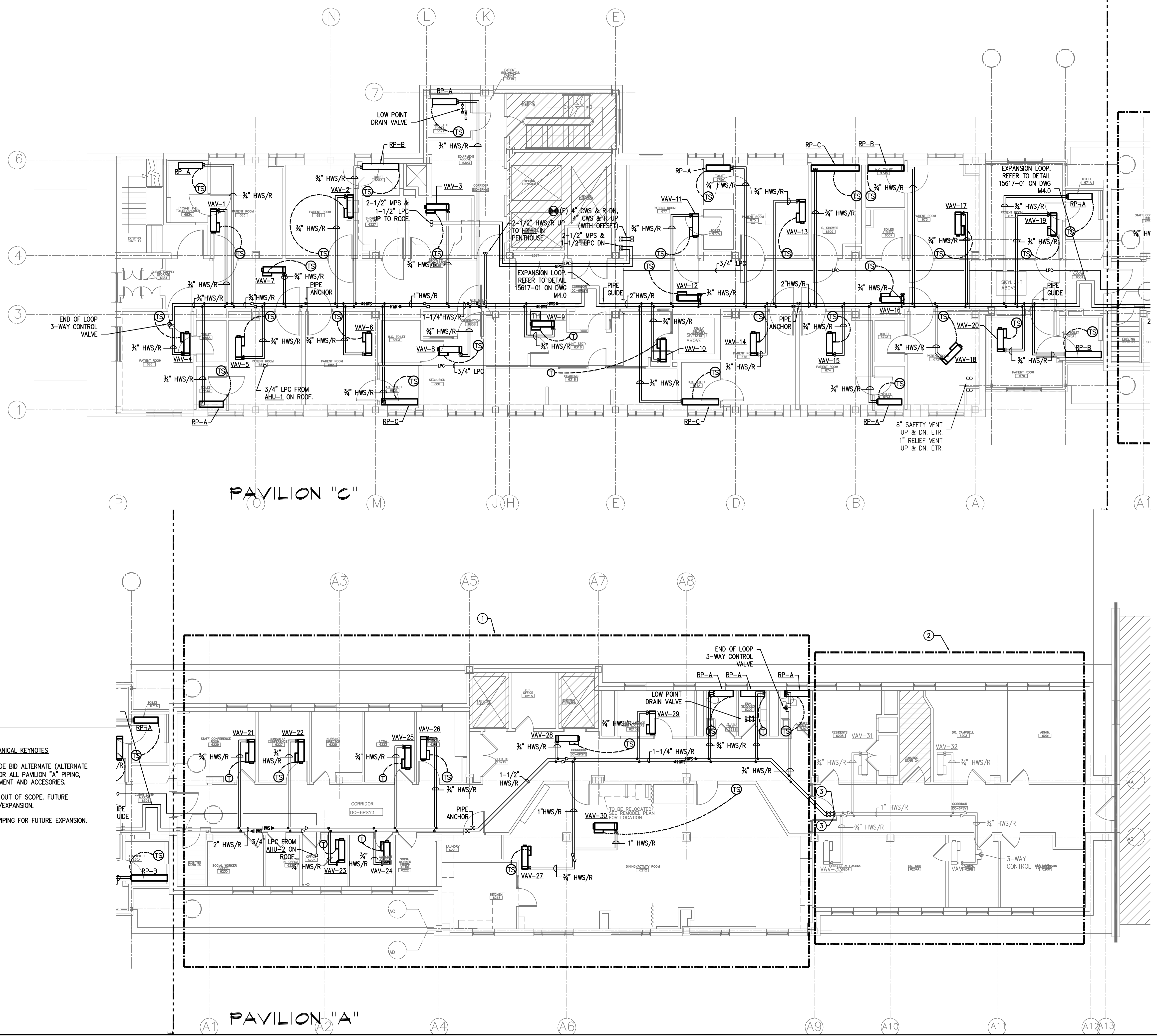
Maine Medical Center
Portland, Maine

MAINE MEDICAL CENTER
PAVILION 6 RENOVATIONS

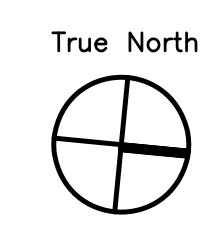
MorrisSwitzer Project Number 28034
Date 11/19/09
Scale 1/8" = 1'-0"
Sheet Title and Number

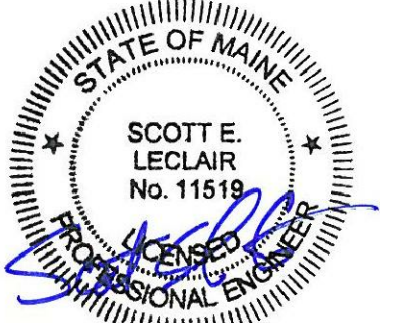
SIXTH FLOOR PAVILIONS "A" & "C" MECHANICAL NEW PIPING PLAN

3M2.1



- MECHANICAL KEYNOTES**
- 1 PROVIDE BID ALTERNATE (ALTERNATE #4) FOR ALL PAVILION "A" PIPING, EQUIPMENT AND ACCESSORIES.
 - 2 AREA OUT OF SCOPE. FUTURE WORK/EXPANSION.
 - 3 CAP PIPING FOR FUTURE EXPANSION.





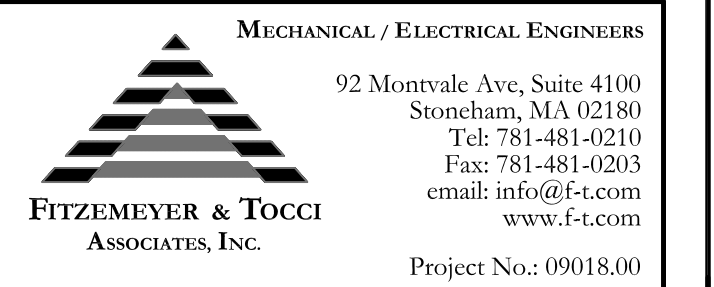
Seals

BECKER
structural engineers, inc.

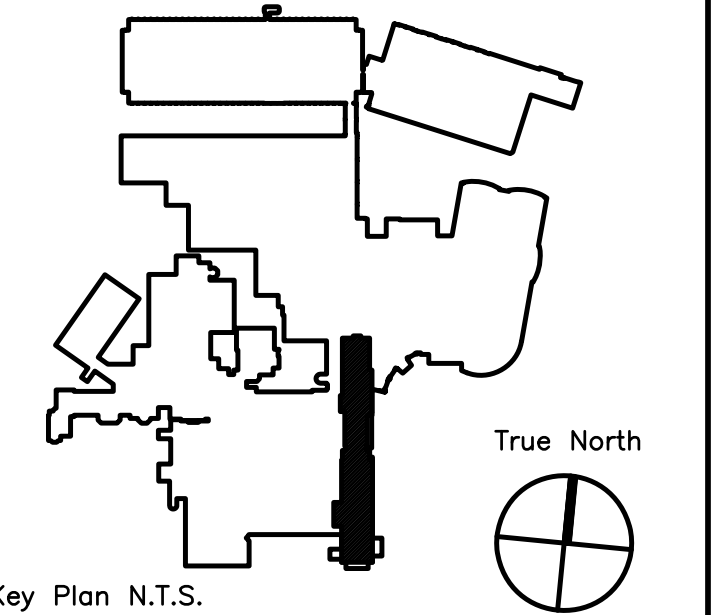
75 York Street
Portland, ME 04101-4701
info@beckerstructural.com

Tel 207-879-1838
Fax 207-879-1822
www.beckerstructural.com

Consultant



Consultant



Key Plan N.T.S.

ADDENDUM#	Date	No
ADDENDUM#1	12/4/09	1
Revision	Date	No



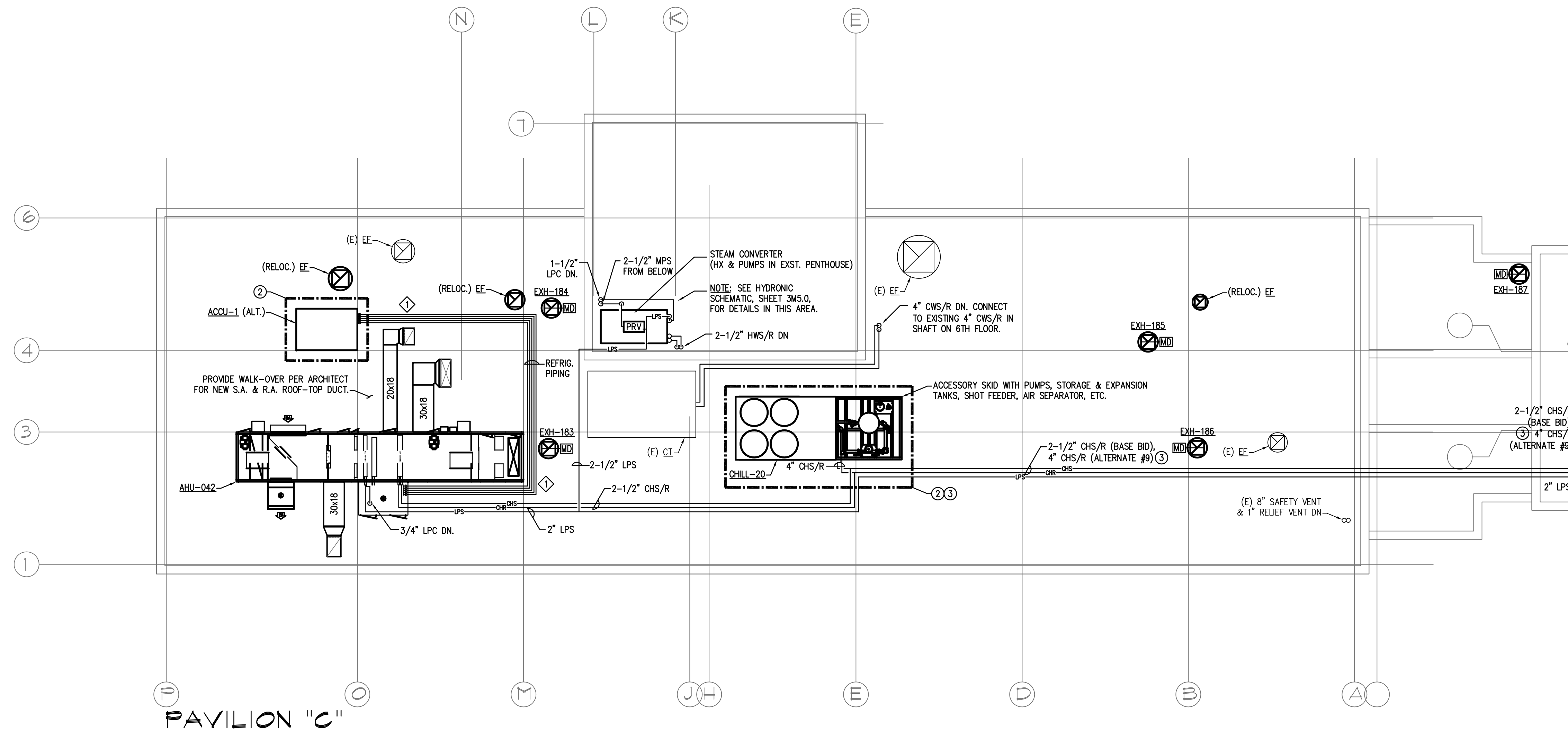
Maine Medical Center
Portland, Maine

MAINE MEDICAL CENTER
PAVILION 6 RENOVATIONS

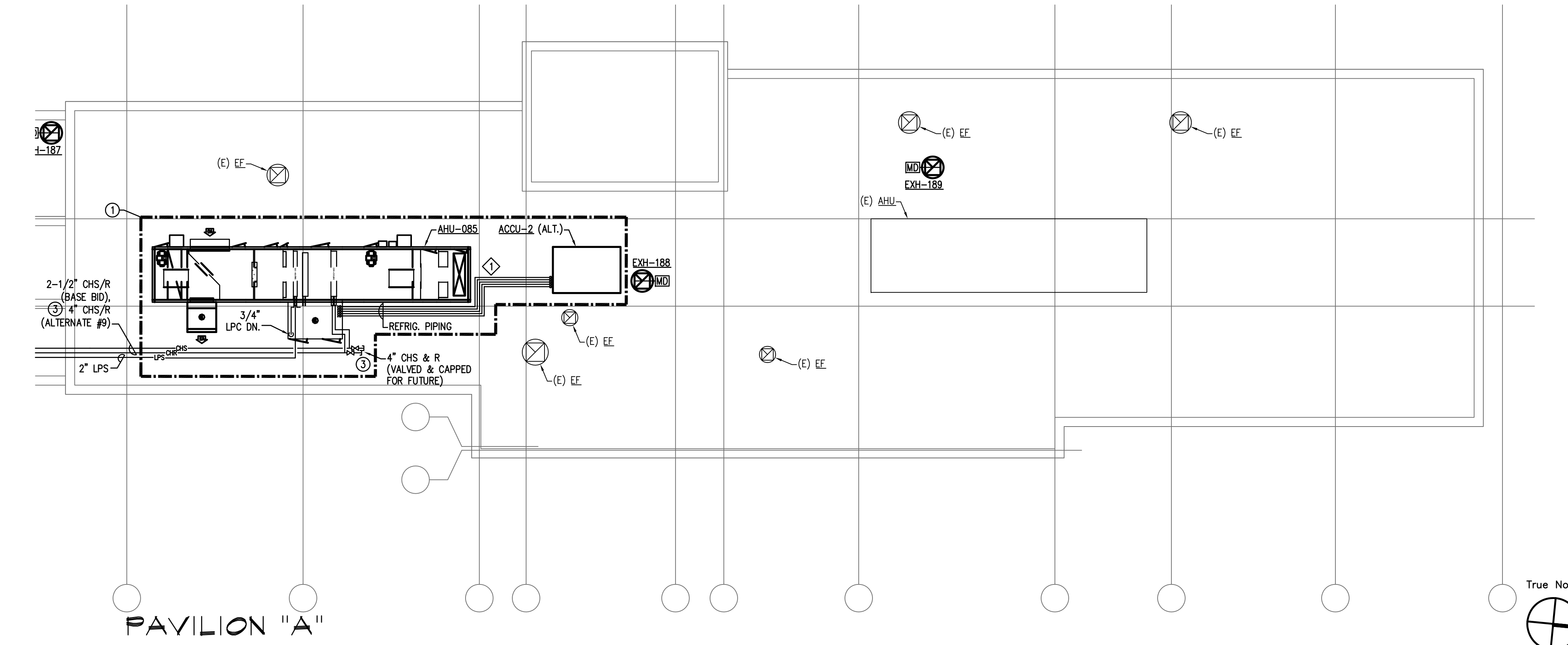
MorrisSwitzer Project Number 28034
Date 11/19/09
Scale 1/8" = 1'-0"
Sheet Title and Number

SIXTH FLOOR PAVILIONS "A" & "C" MECHANICAL NEW WORK ROOF PLAN

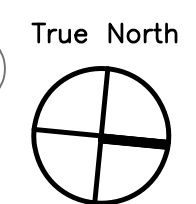
3M2.2

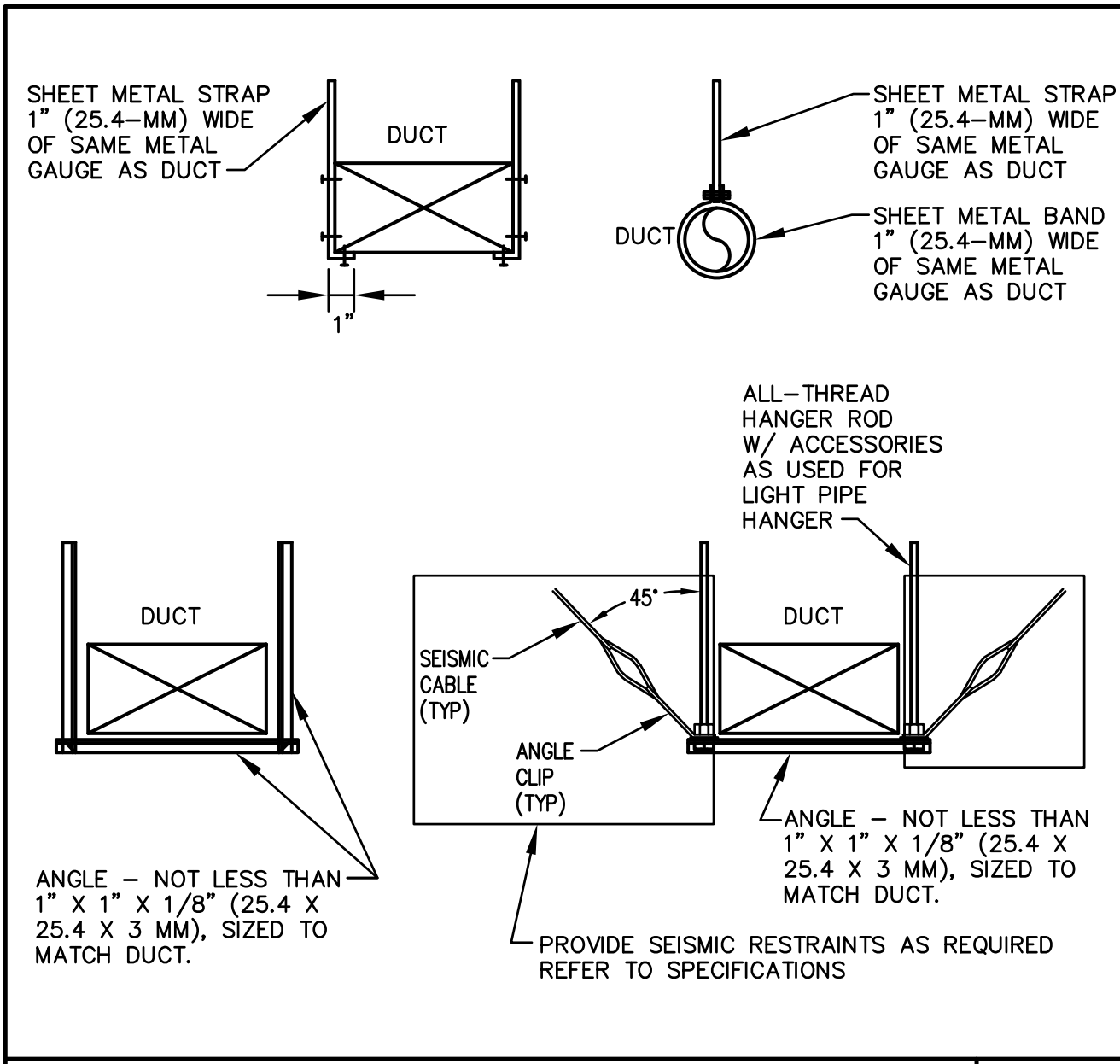


PAVILION "C"



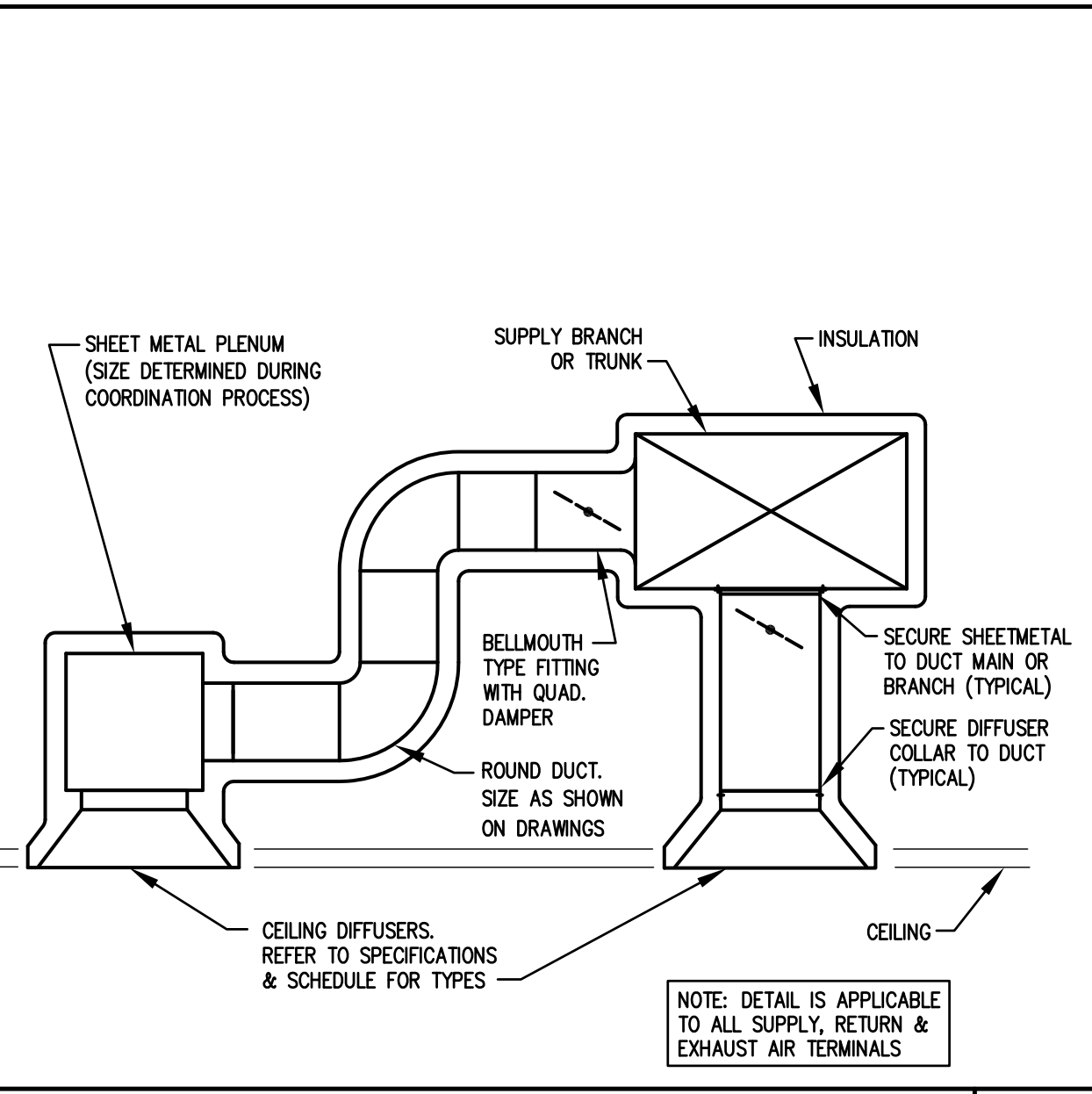
PAVILION "A"





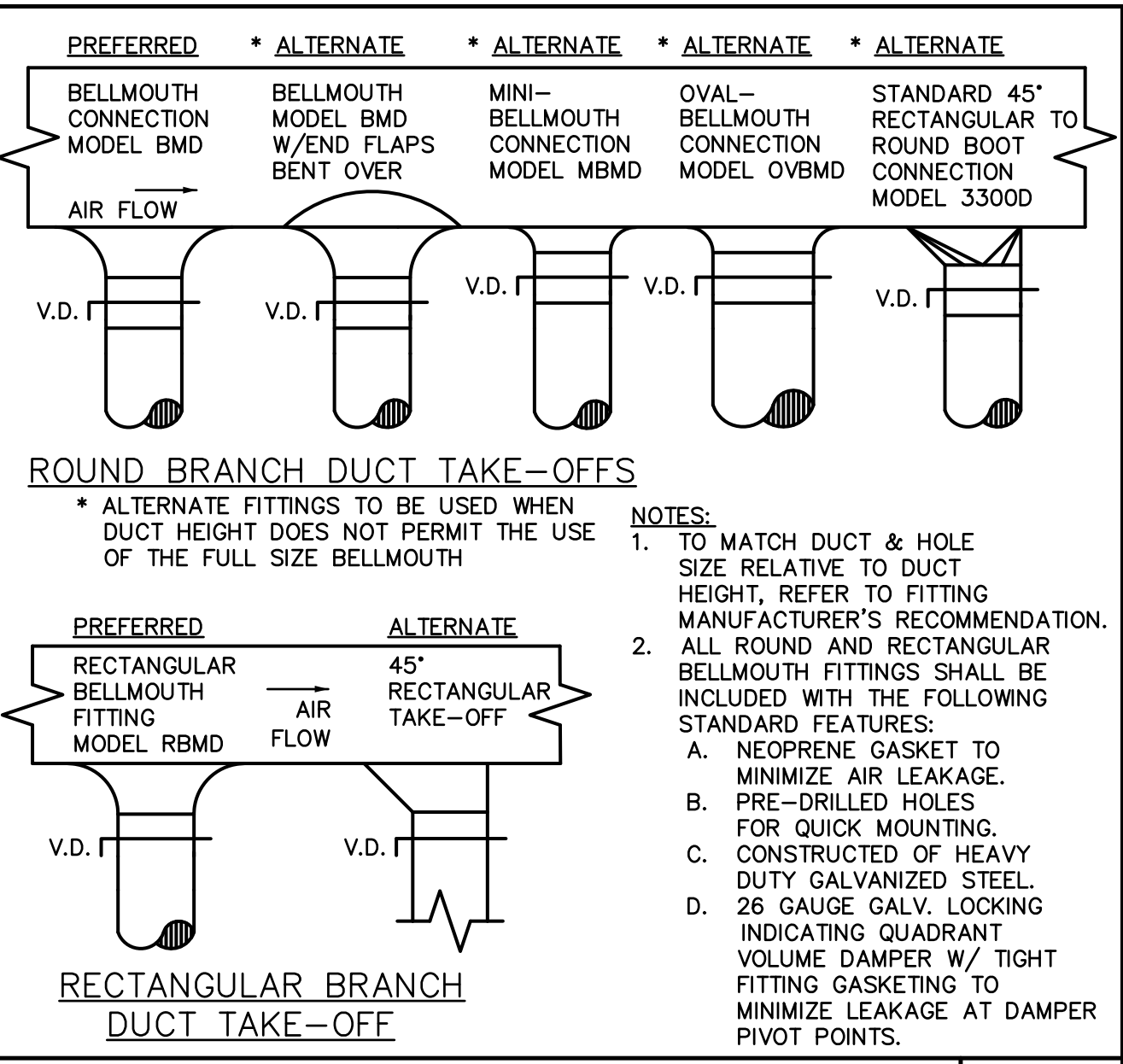
SHEET-METAL DUCT HANGERS

NO SCALE
15616-02



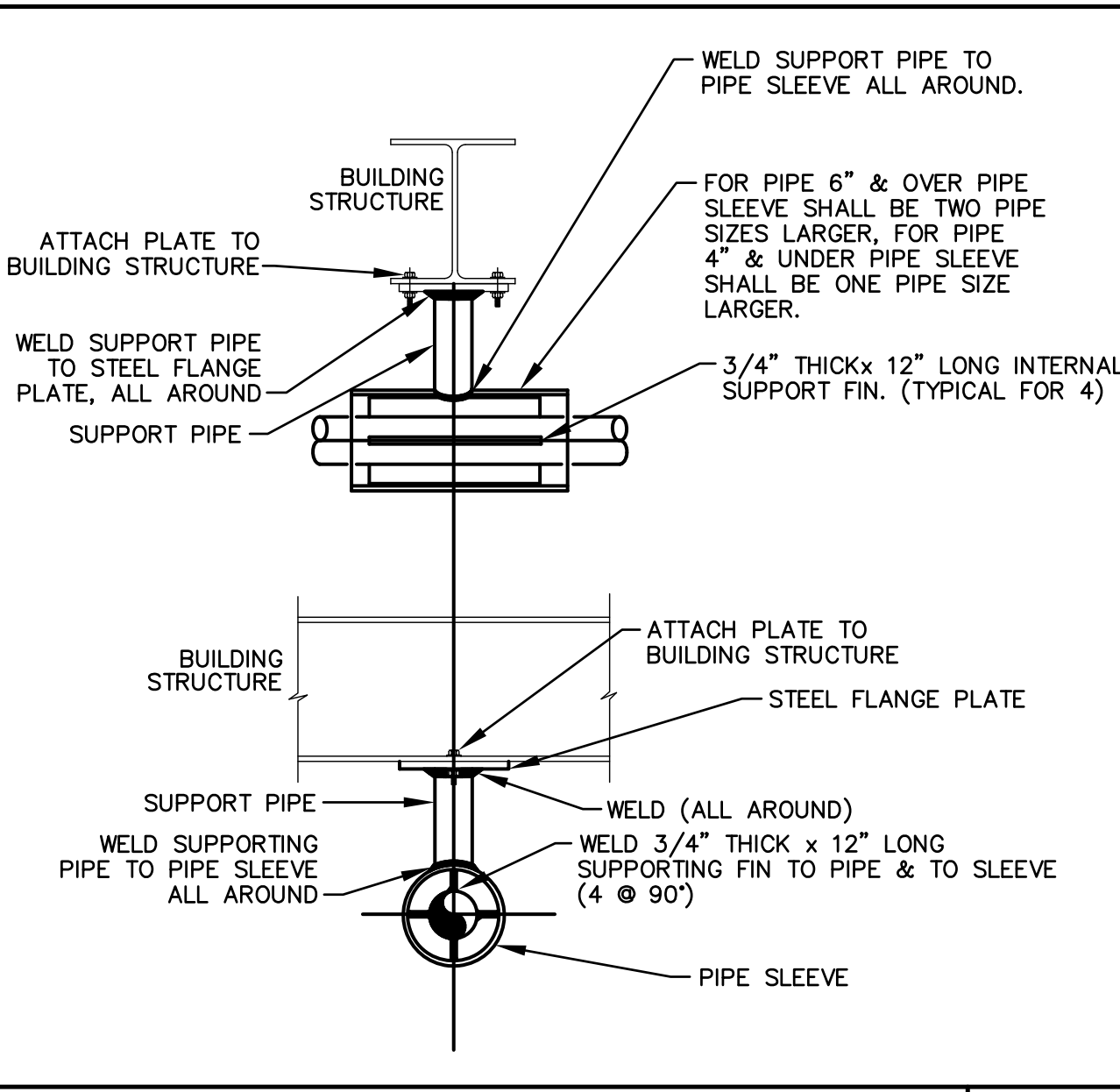
INSTALLATION AT CEILING SUPPLY DIFFUSERS

NO SCALE
15613-0HC



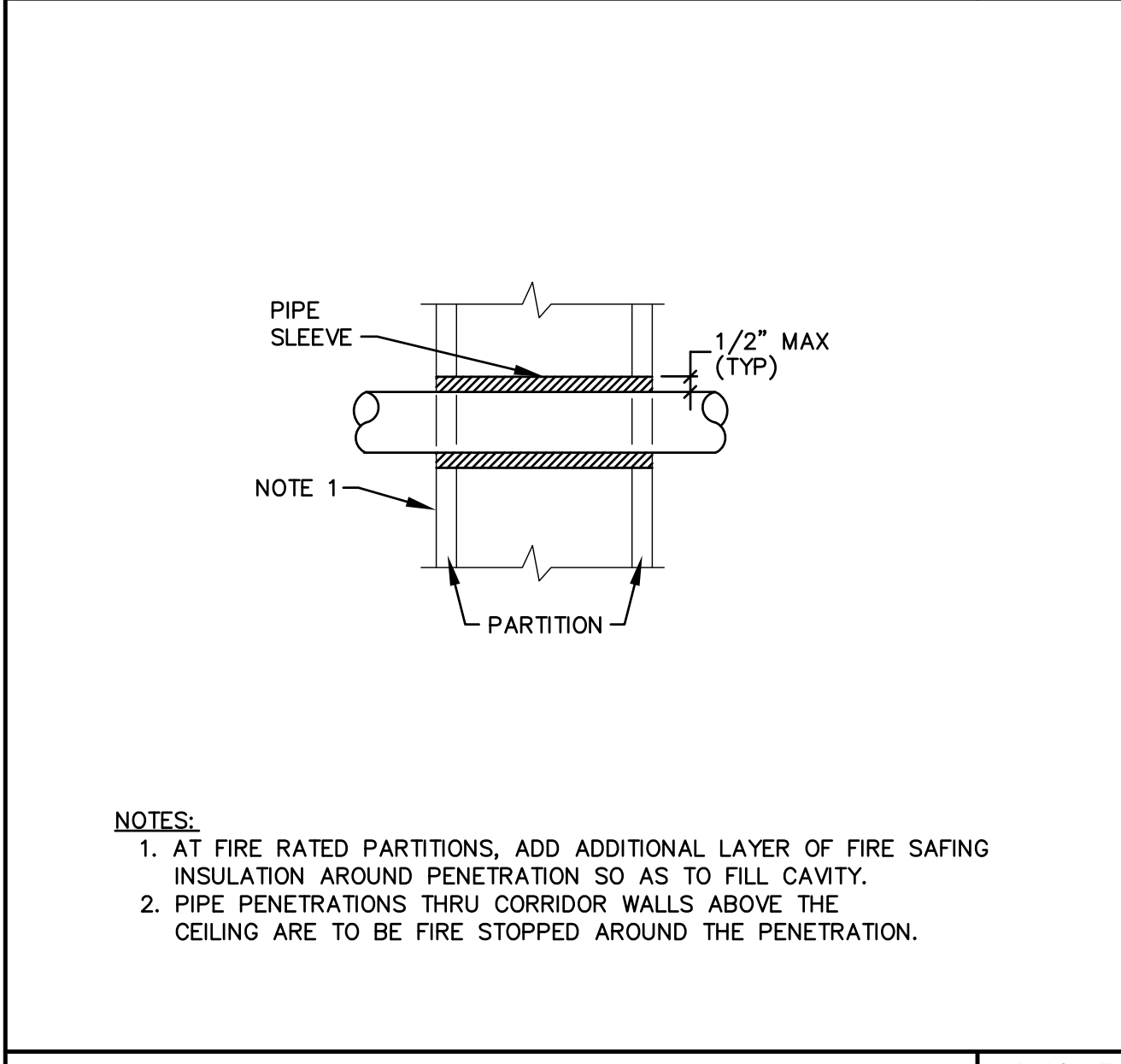
BRANCH TAKE-OFFS

NO SCALE
15613-14



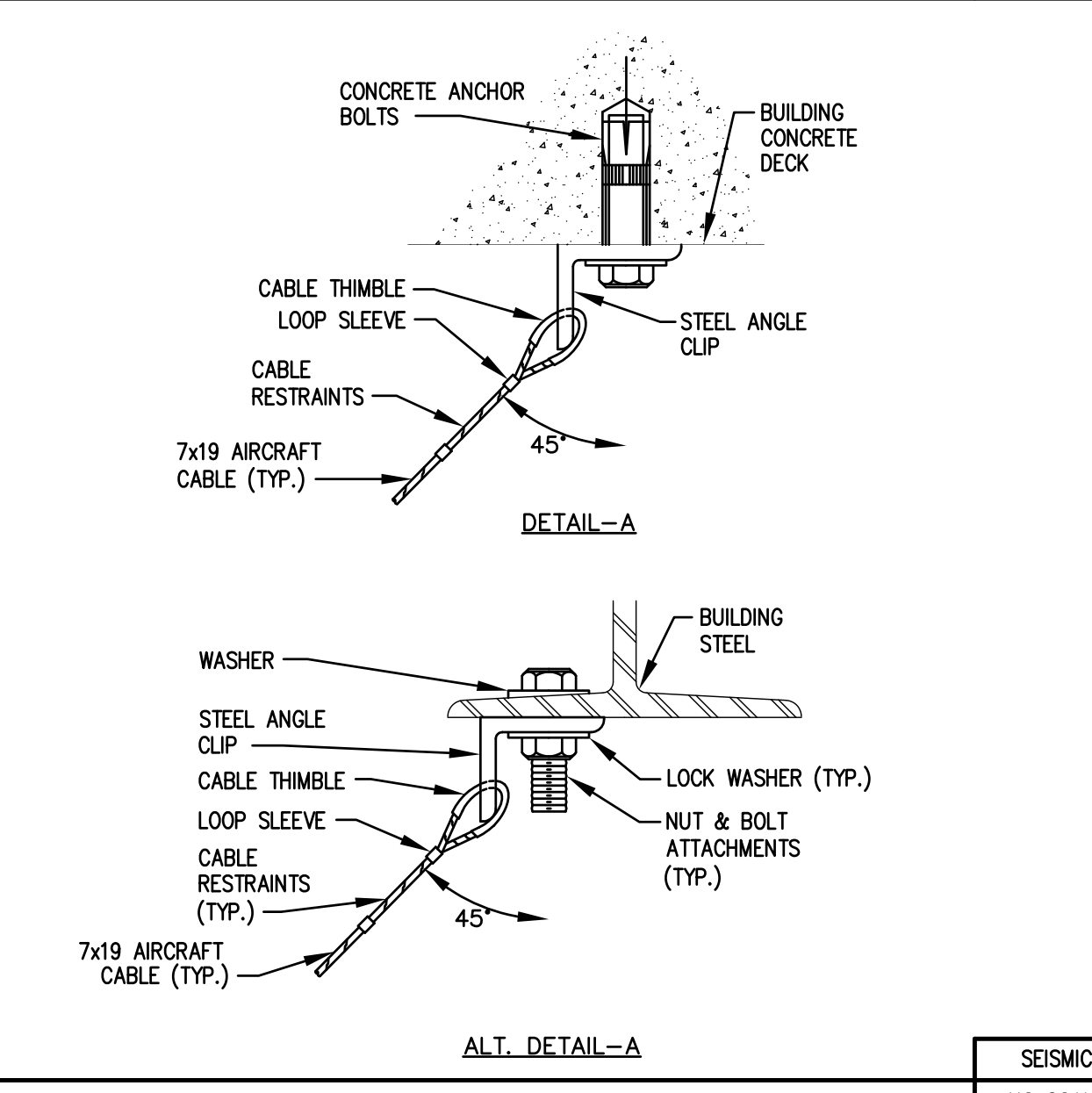
PIPE GUIDE DETAIL

NO SCALE
15617-14



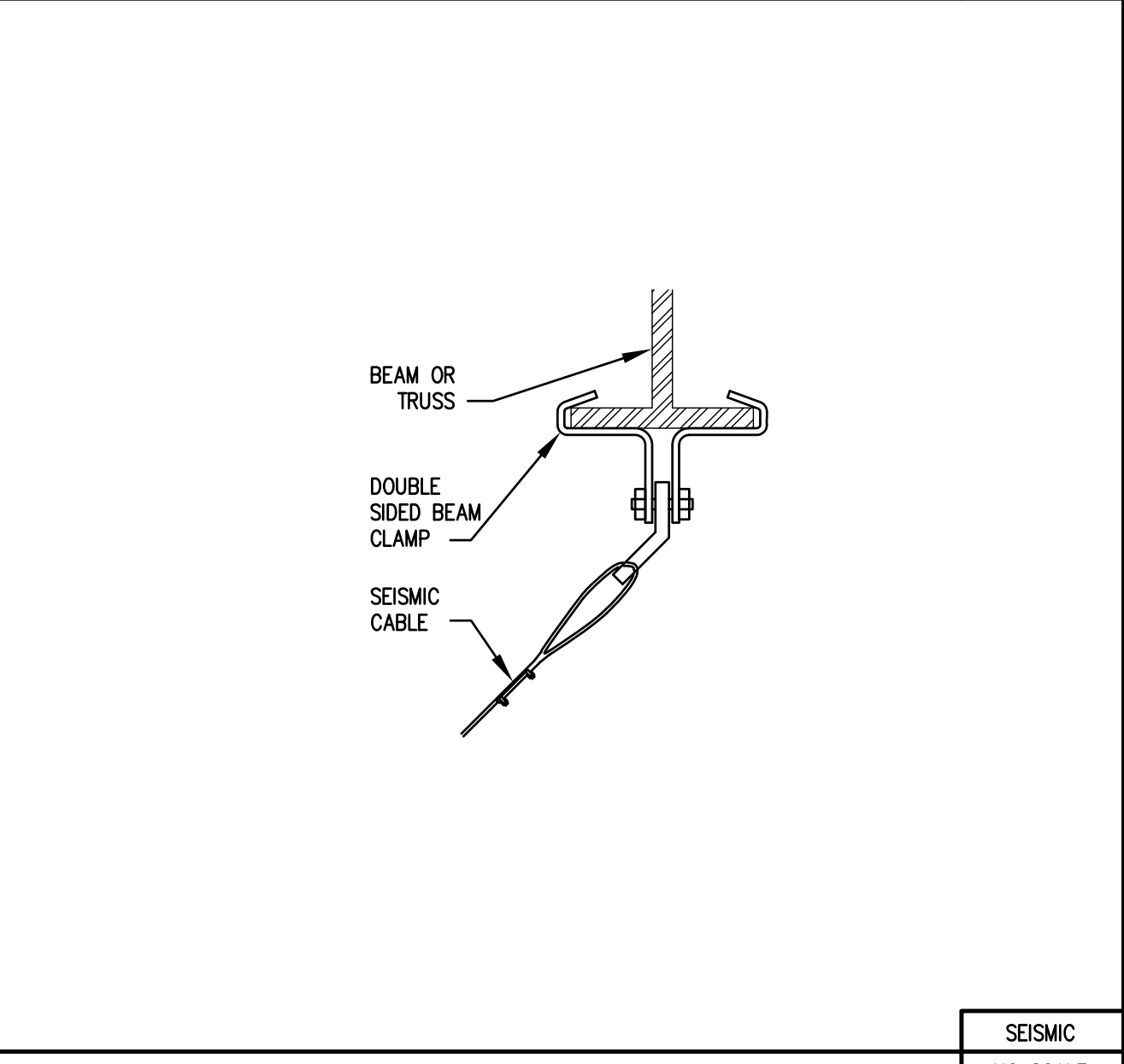
PIPE WALL PENETRATIONS

NO SCALE
15617-06



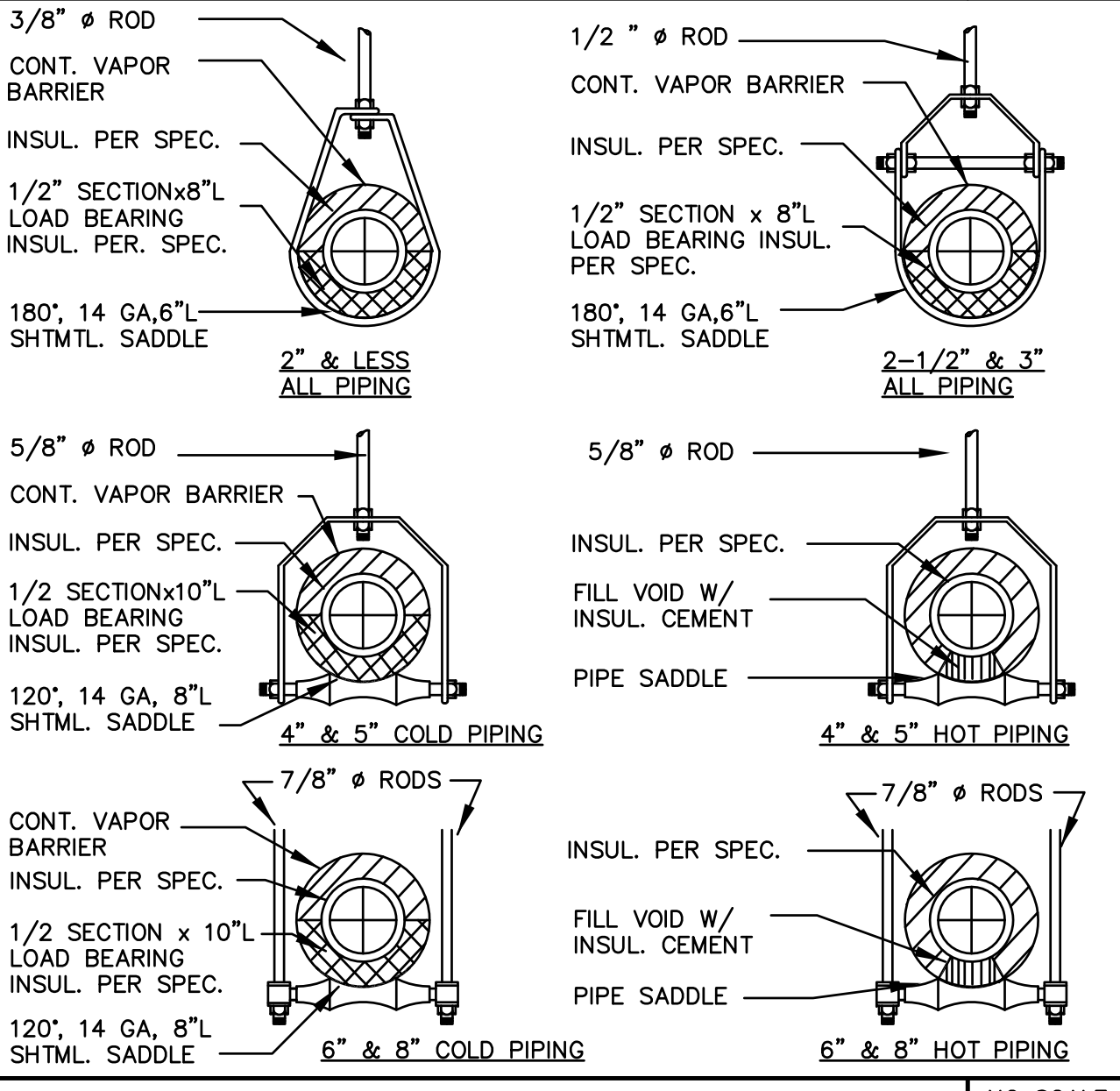
(DETAIL "A") RESTRAINTS

SEISMIC
NO SCALE
15607-04S



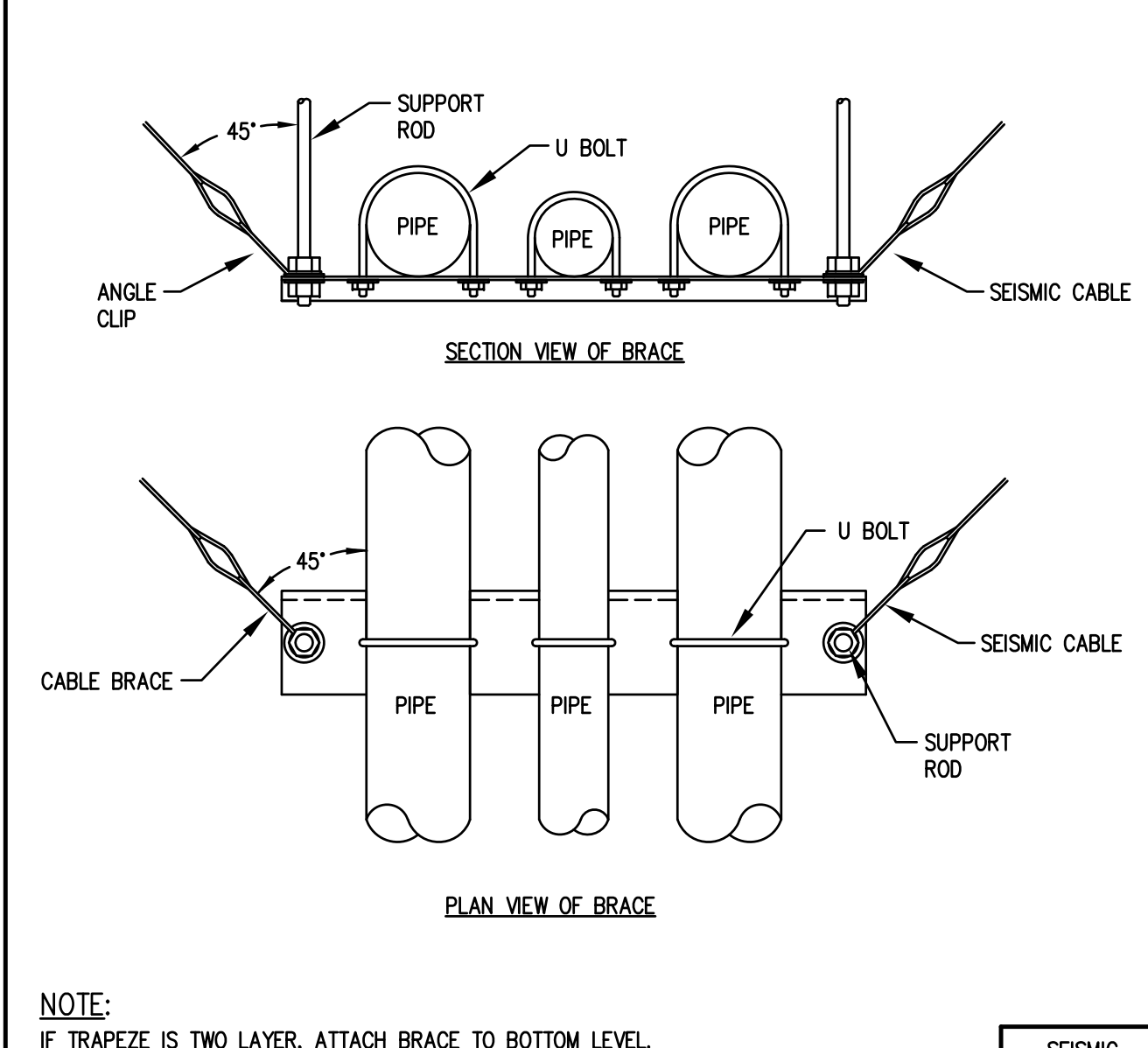
CABLE CONNECTION TO DOUBLE SIDED BEAM CLAMP DETAIL

SEISMIC
NO SCALE
15607-05S



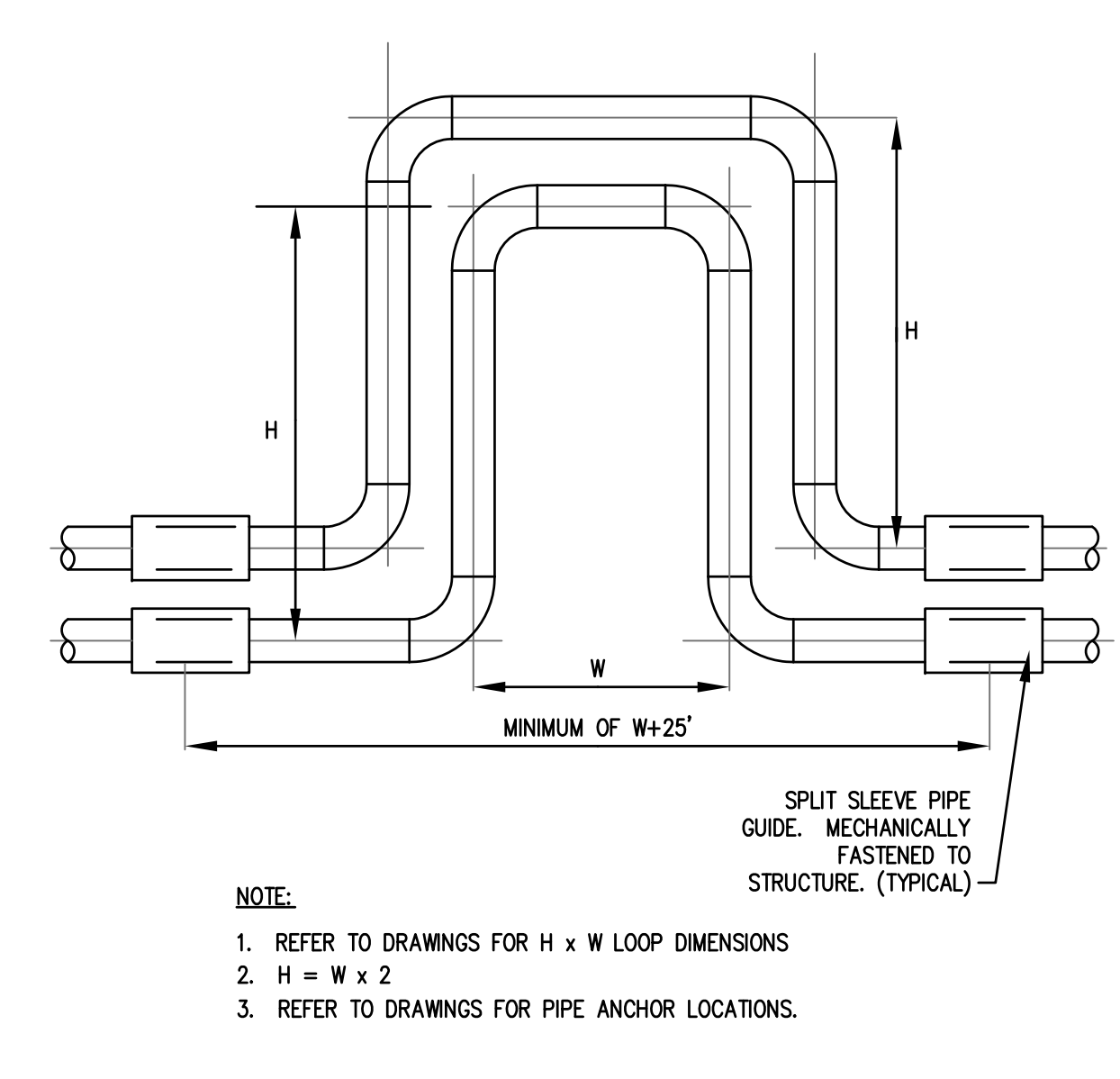
PIPE HANGER DETAIL

NO SCALE
15617-05



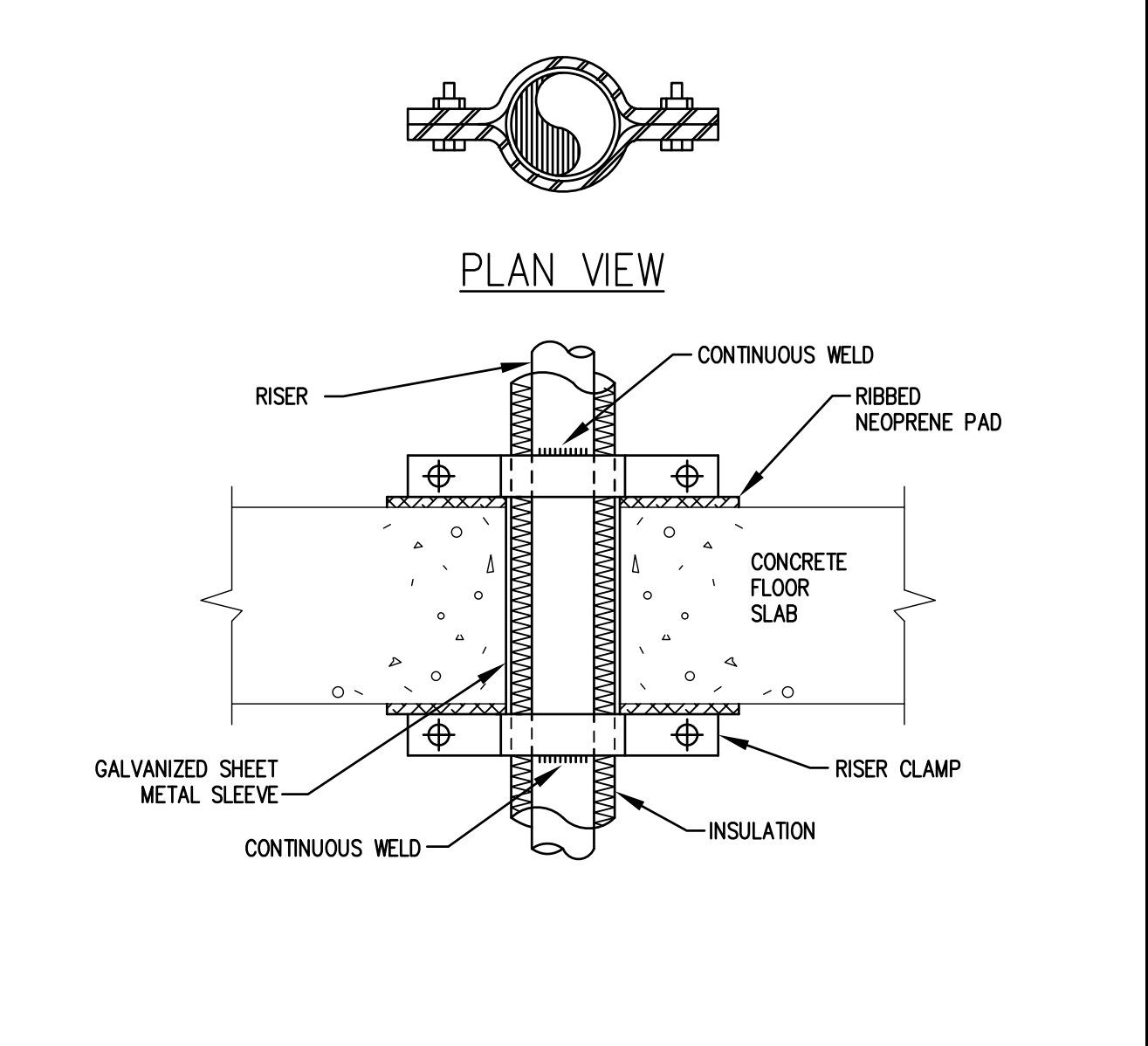
TWO CABLE BRACE DETAIL FOR TRAPEZE HUNG PIPING

SEISMIC
NO SCALE
15607-02S



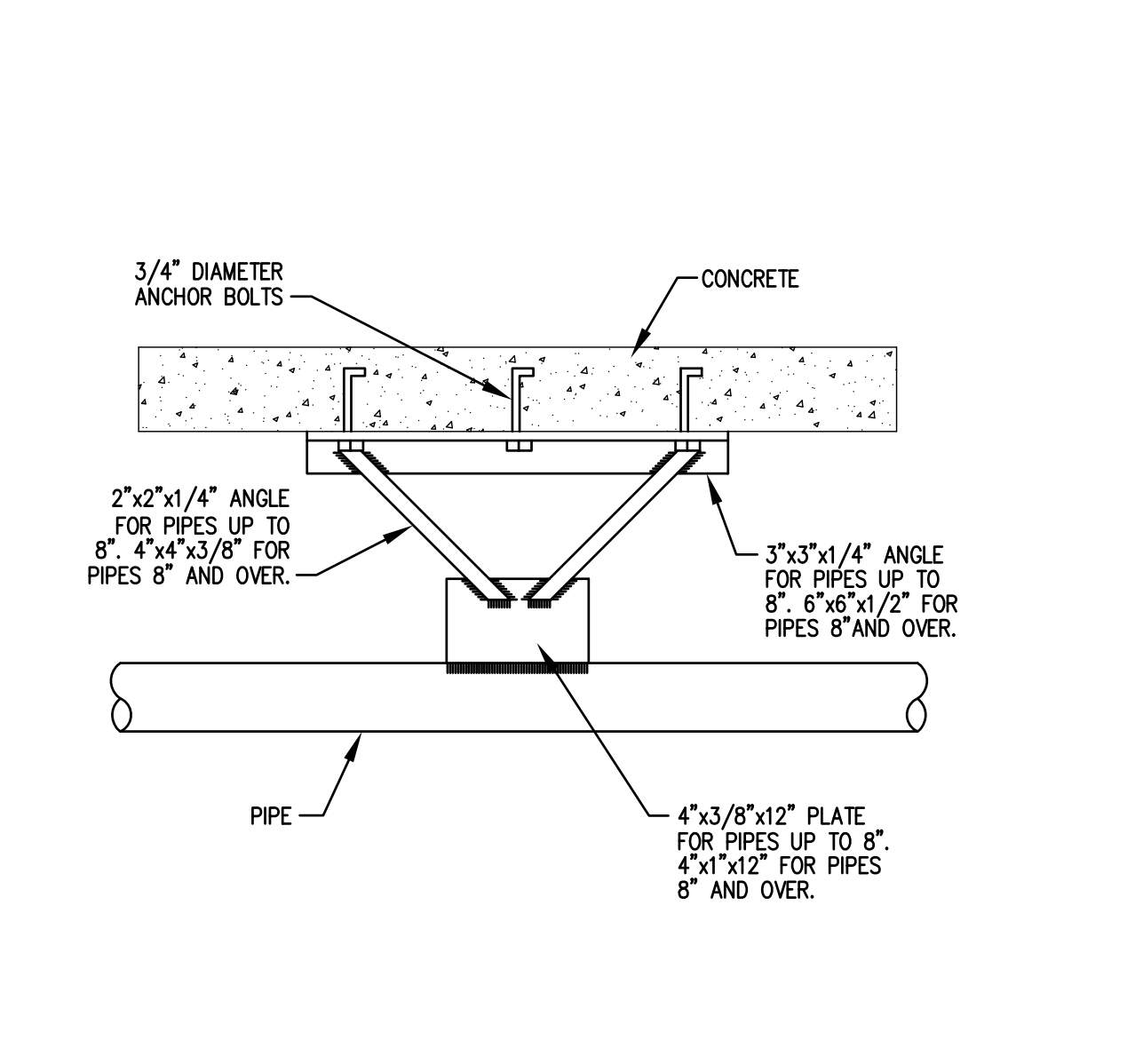
EXPANSION LOOP DETAIL

NO SCALE
15617-01



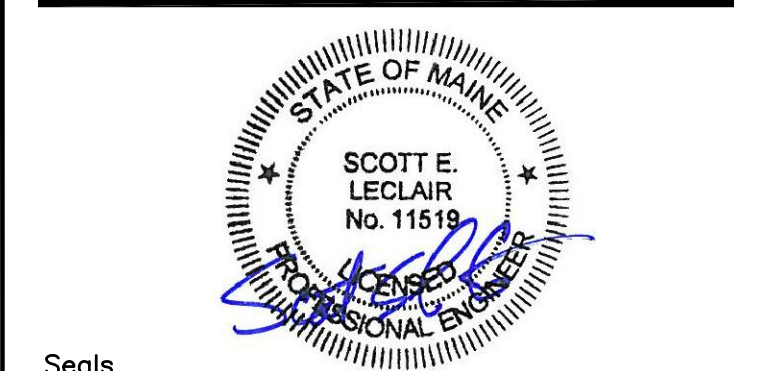
TYPICAL RISER ANCHOR DETAIL

NO SCALE
15617-02



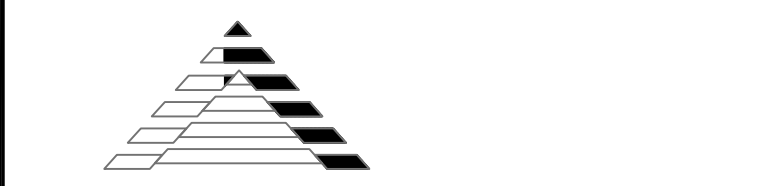
PIPE ANCHOR

NO SCALE
15617-04

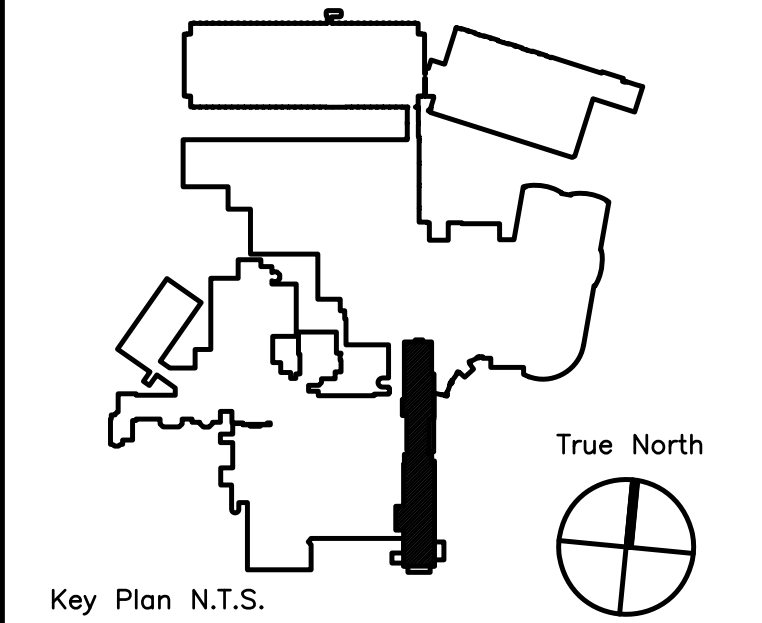


BECKER
structural engineers, inc.
75 York Street Portland, ME 04101-4701
Tel 207-879-1838 Fax 207-879-1822
info@beckerstructural.com www.beckerstructural.com

Consultant



Consultant

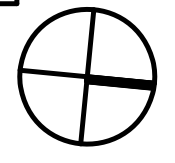


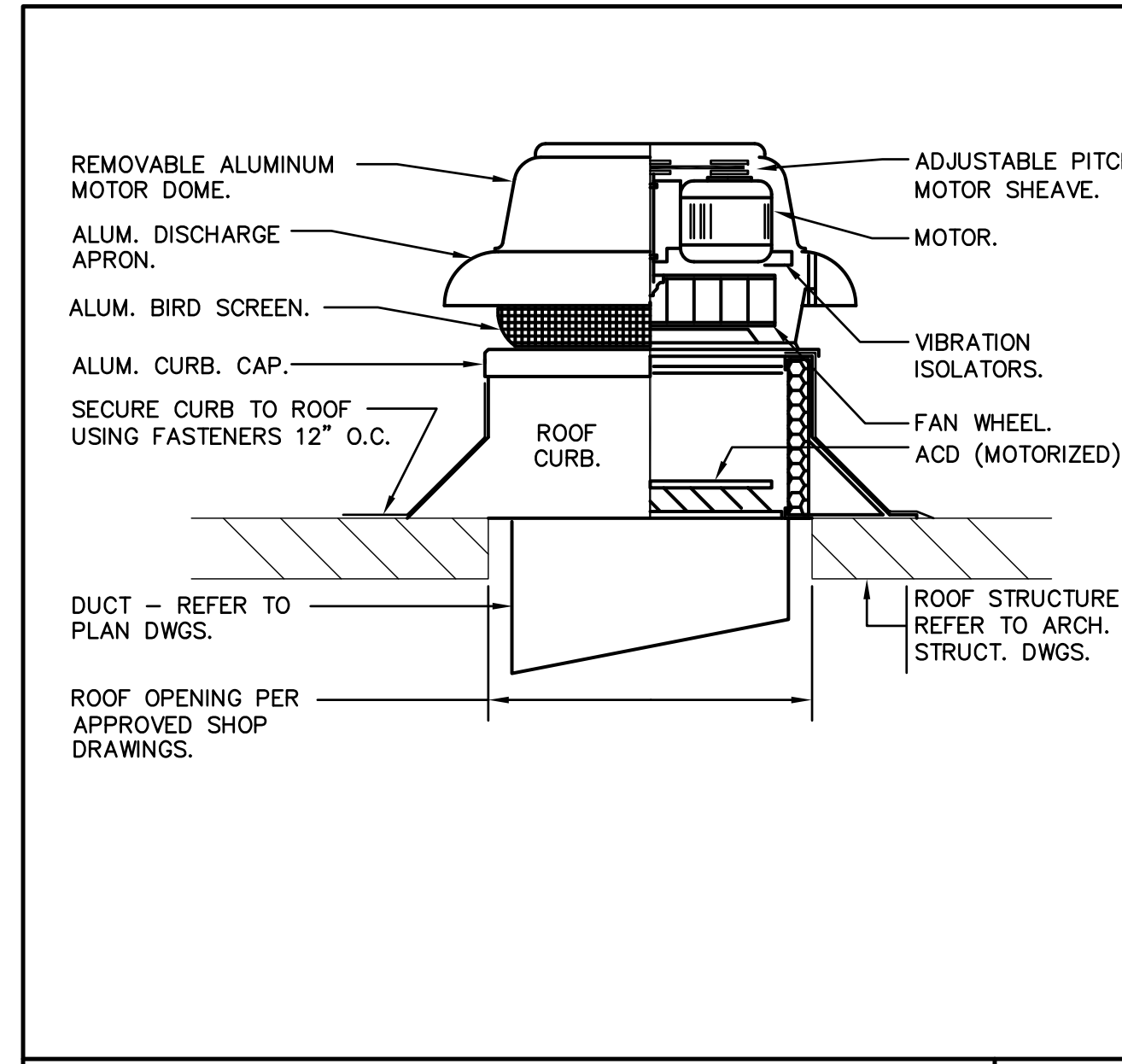
ADDENDUM#1	12/4/09	1
Revision	Date	No

MAINE MEDICAL CENTER
PAVILION 6 RENOVATIONS

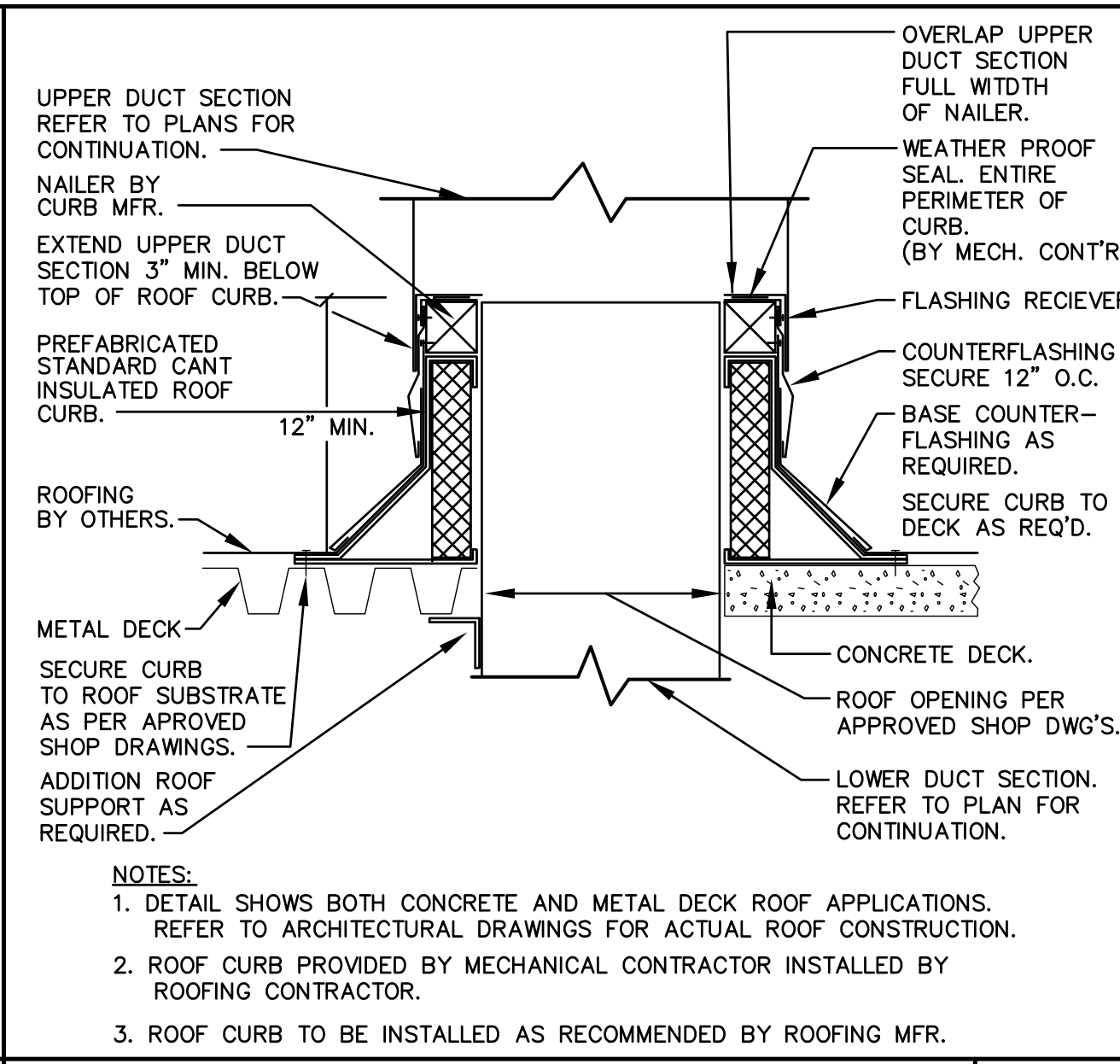
MorrisSwitzer Project Number 28034
Date 11/19/09
Scale N.T.S.
Sheet Title and Number

SIXTH FLOOR PAVILIONS
"A" & "C" MECHANICAL
DETAILS I
3M4.0

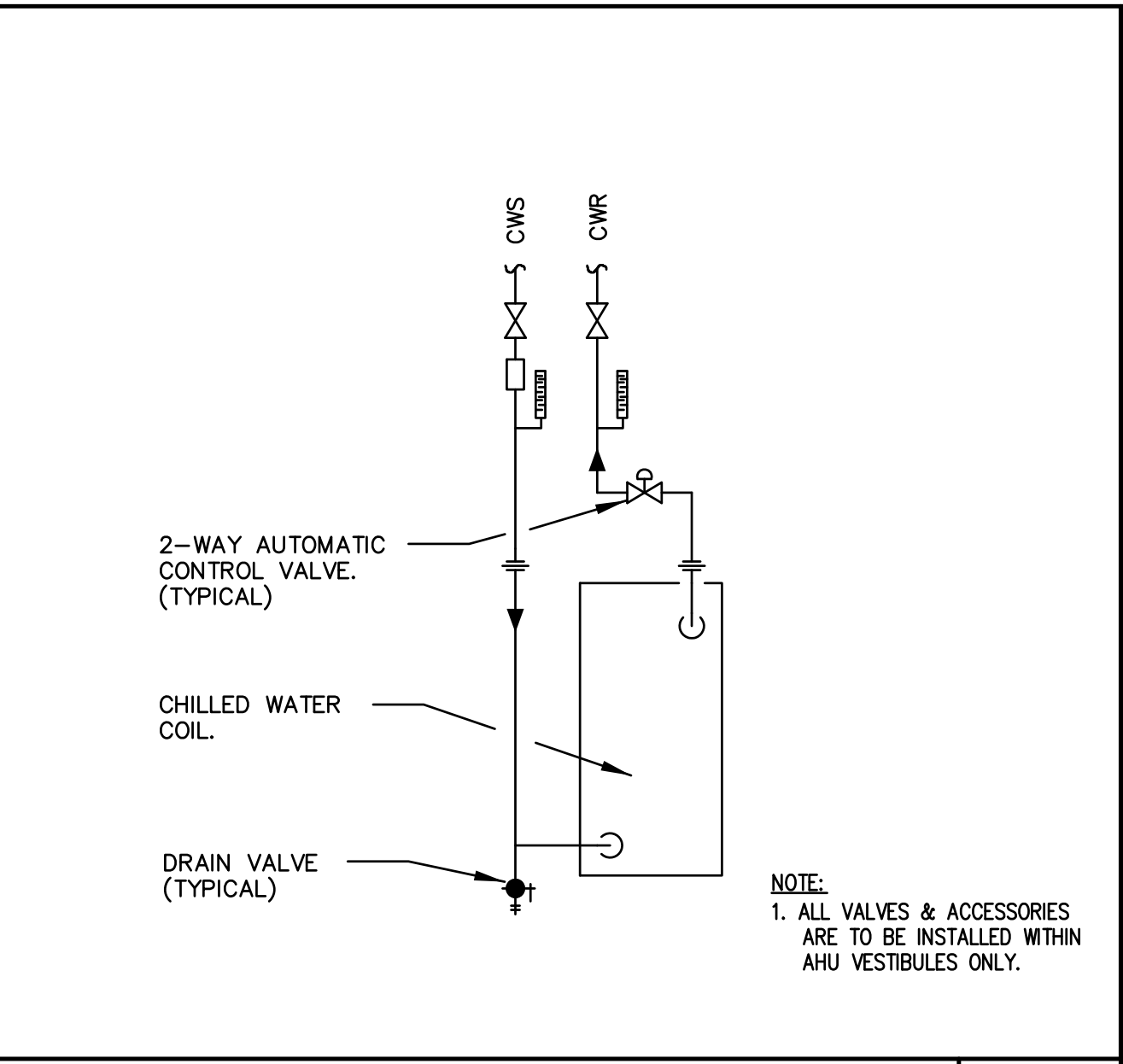




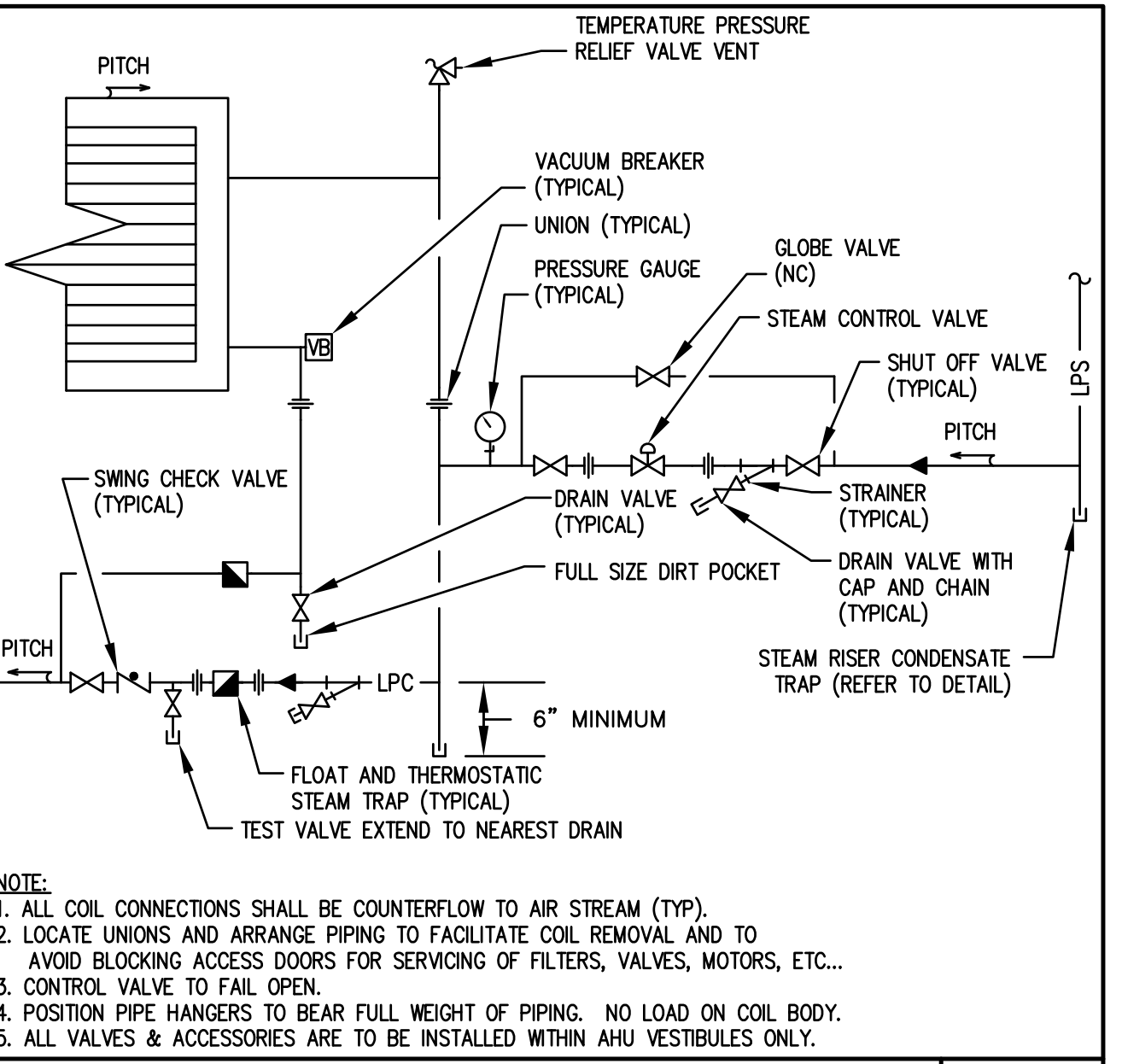
ROOF FAN DETAIL NO SCALE 15670-03



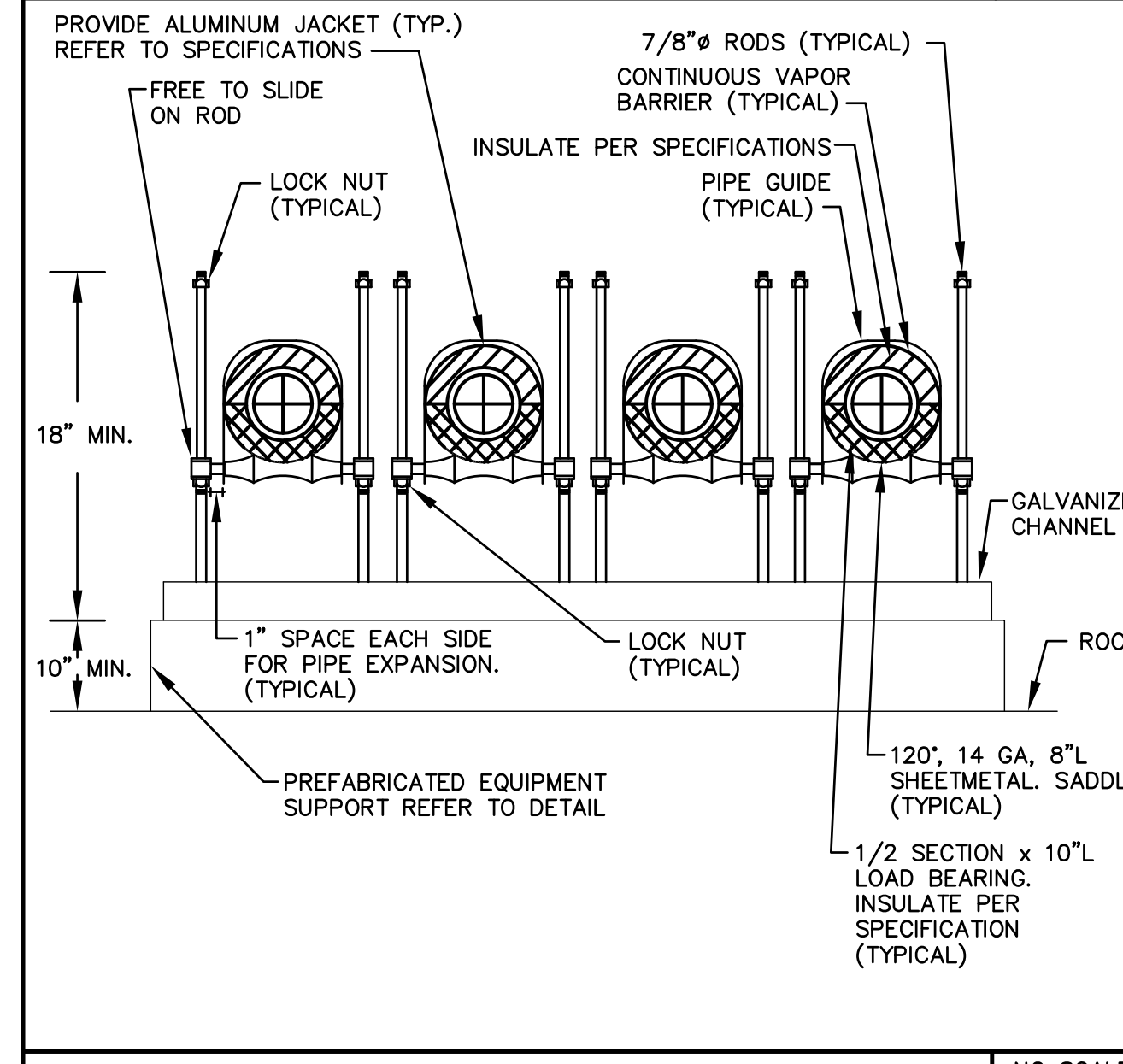
DUCT ROOF PENETRATION NO SCALE 15617-10



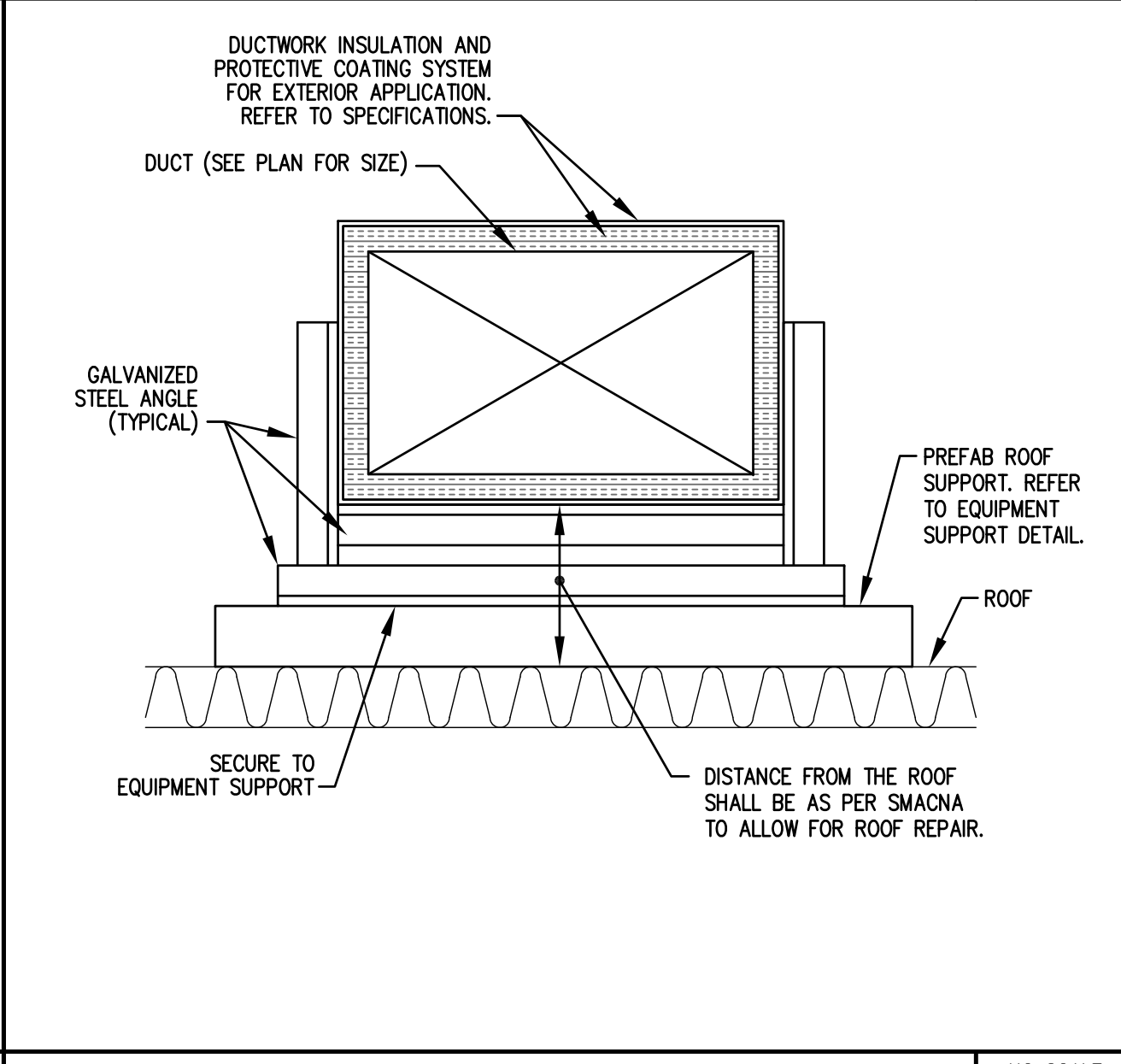
AIR HANDLER CHILLER WATER COIL PIPING NO SCALE 15644-01



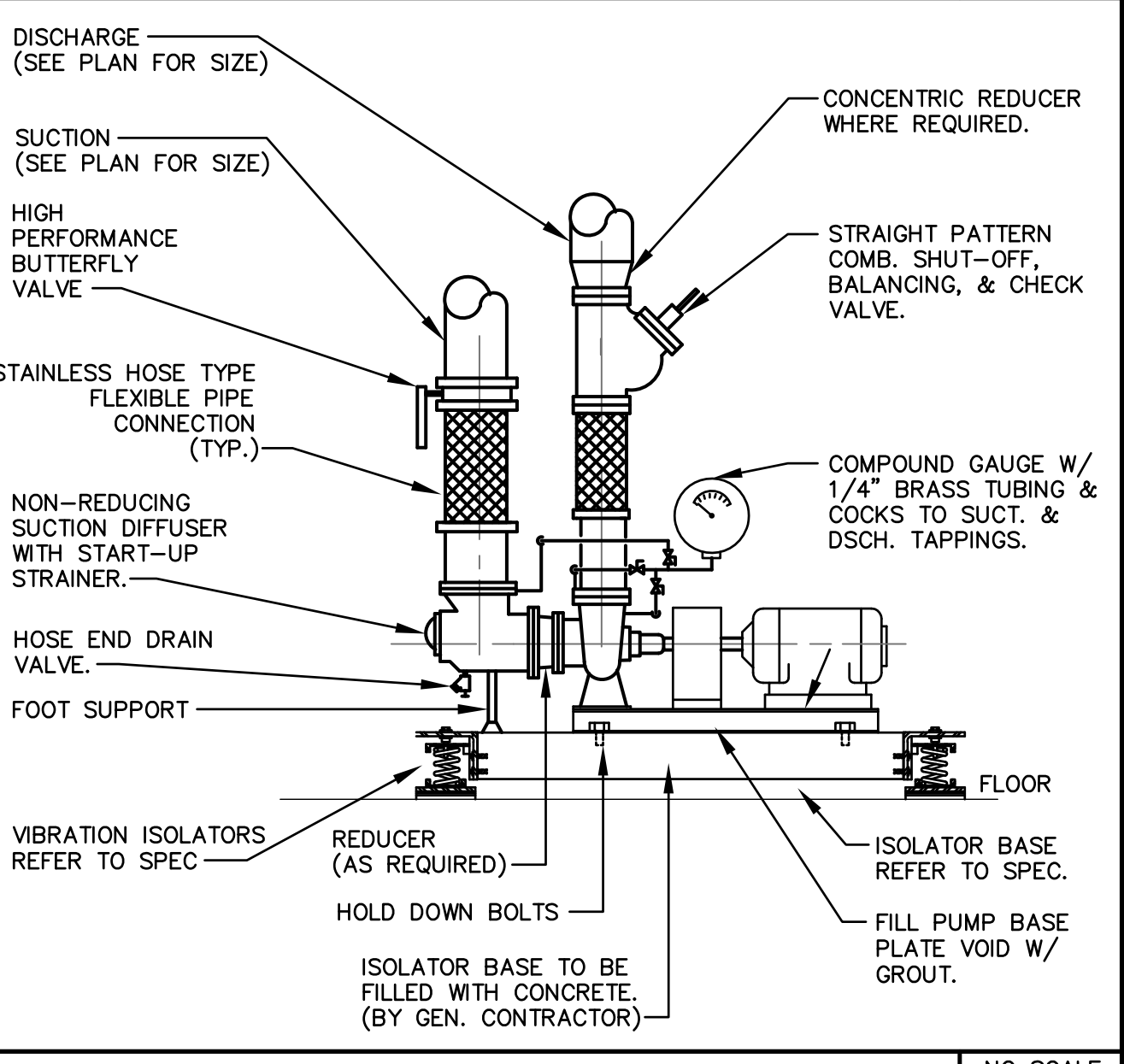
AIR HANDLER STEAM COIL PIPING NO SCALE 15629-06



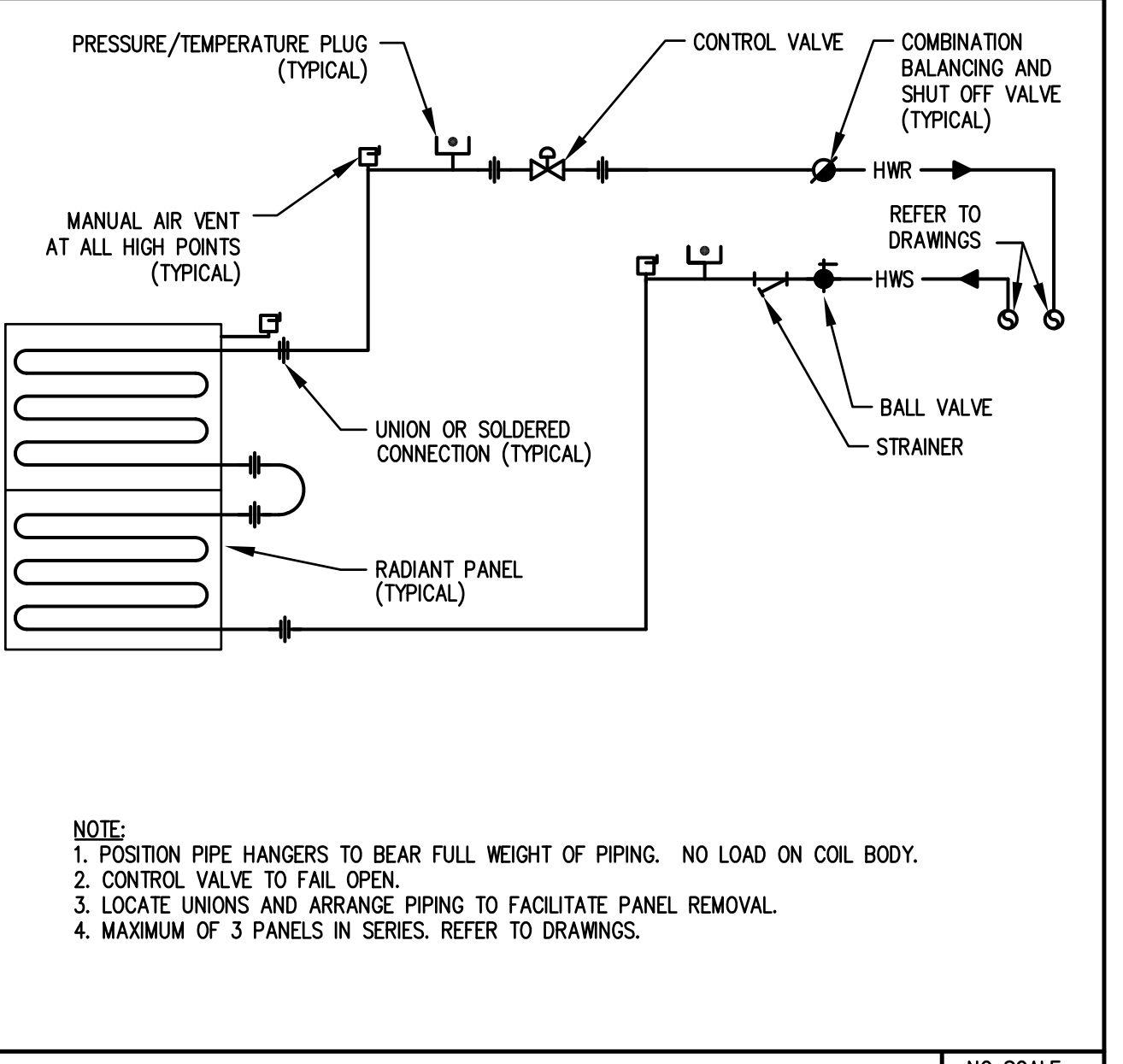
ROOFTOP PIPING SUPPORT DETAIL NO SCALE 15617-12



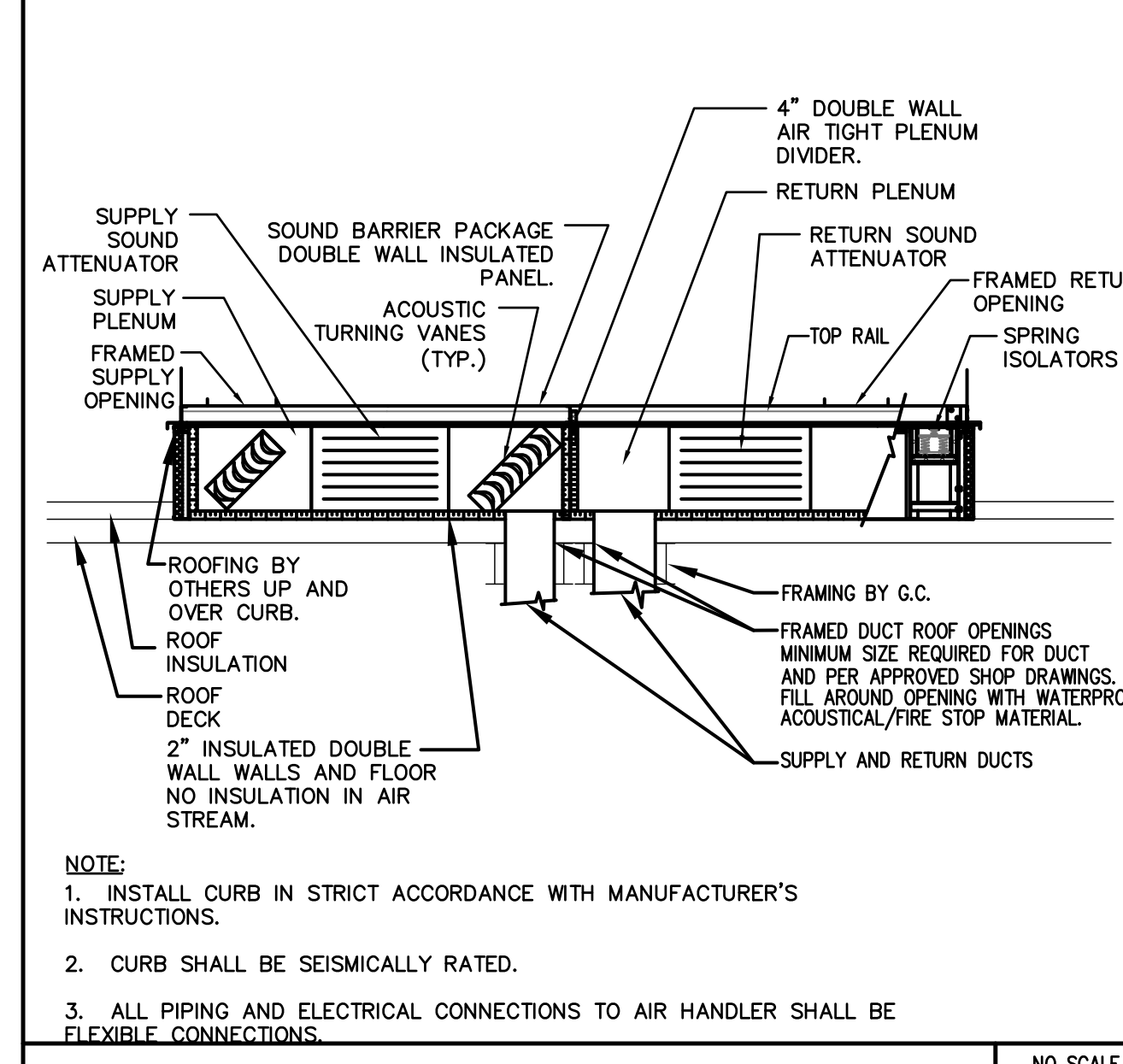
ROOF DUCT SUPPORT DETAIL NO SCALE 15616-01



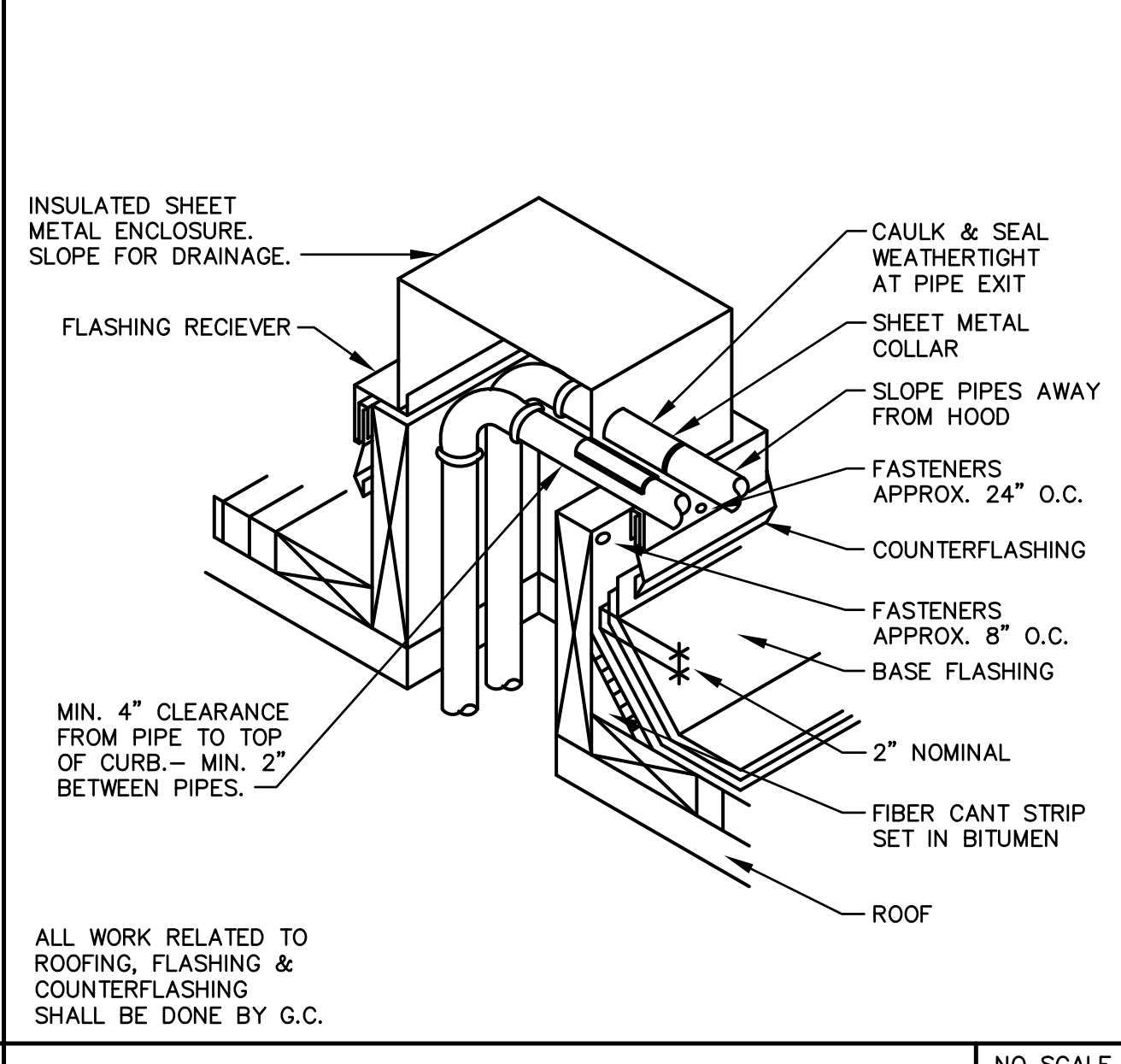
END SUCTION PUMP DETAIL NO SCALE 15638-01



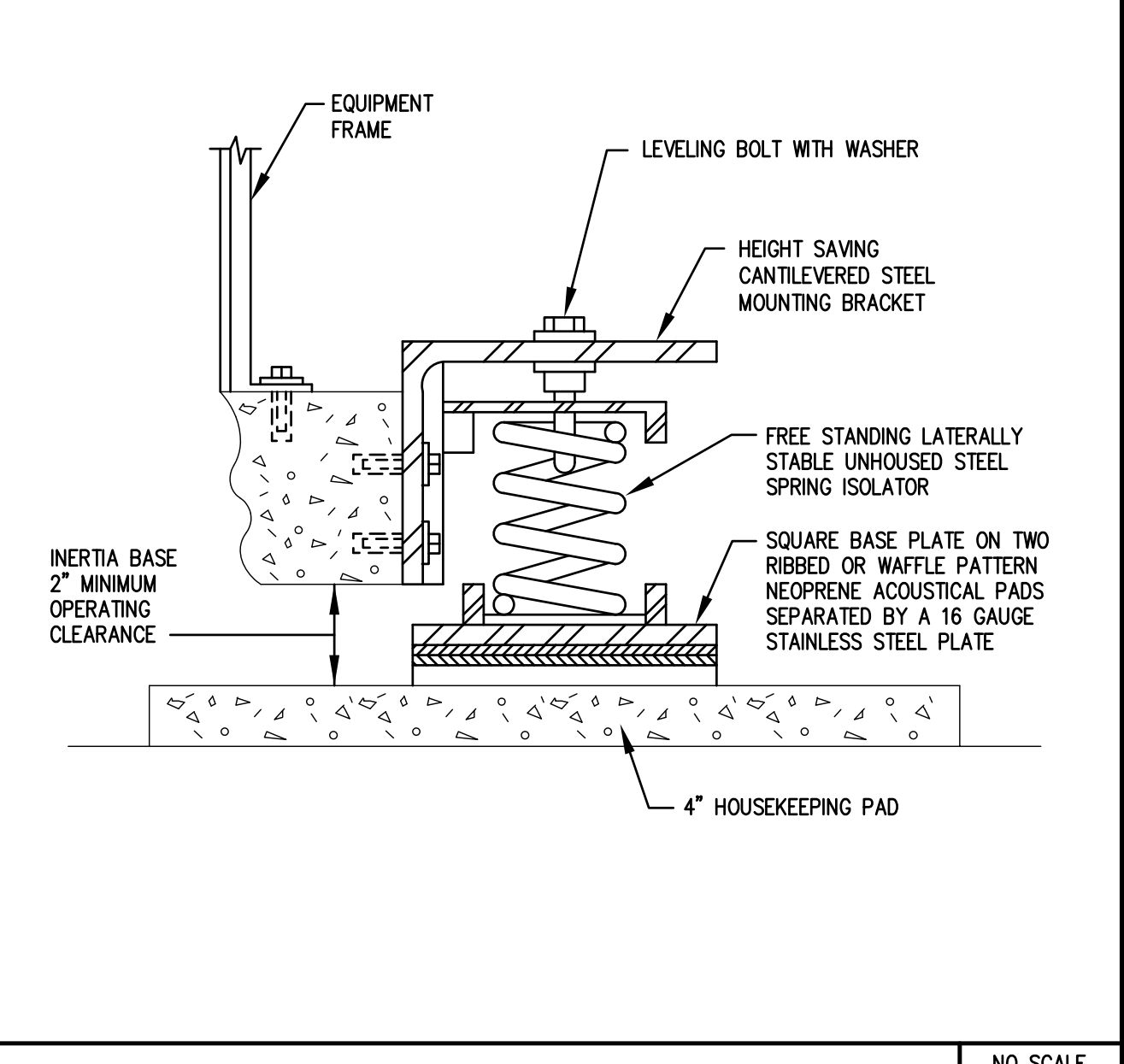
RADIANT PANEL HOT WATER PIPING SCHEMATIC NO SCALE 15624-03



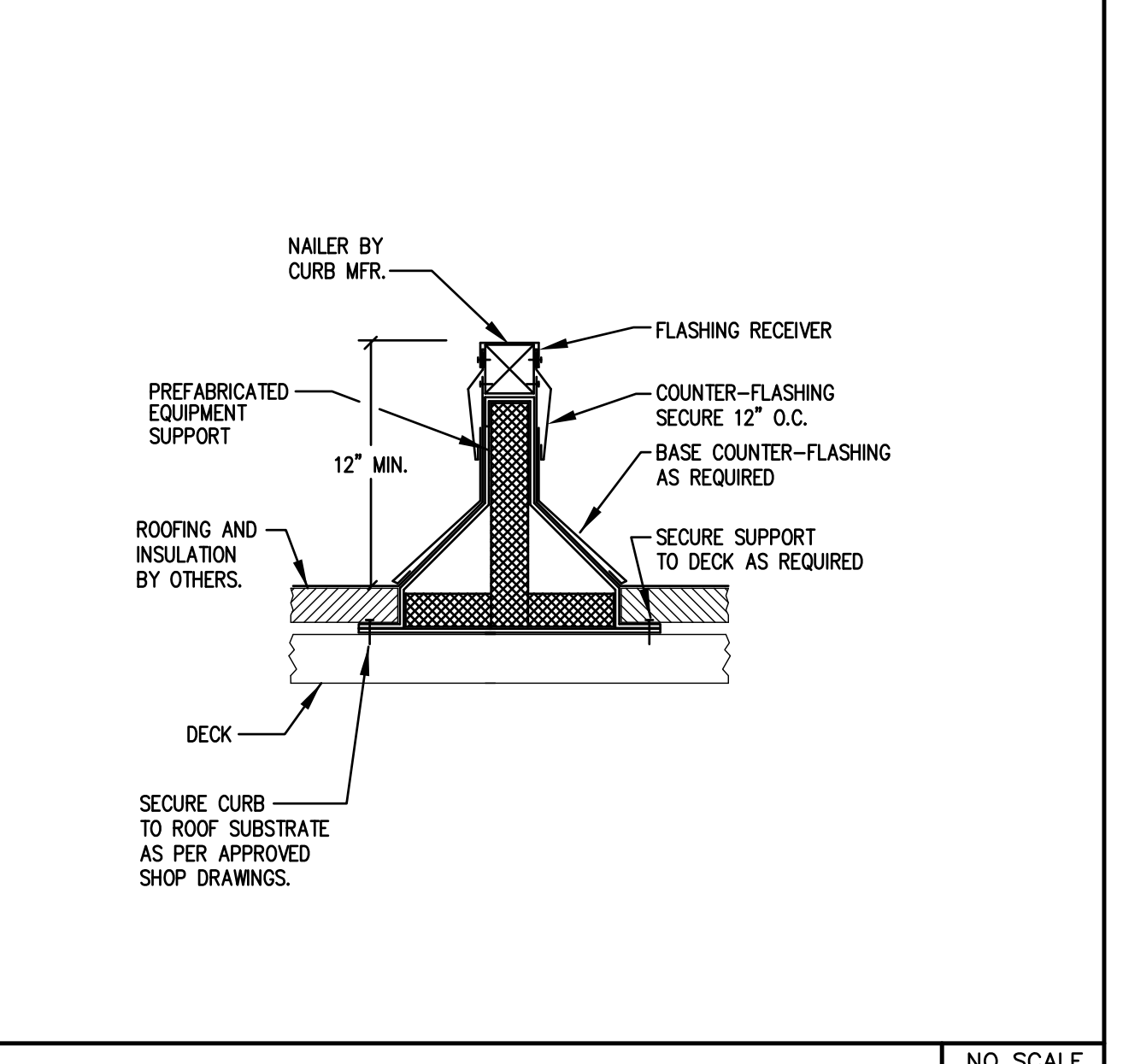
AIR HANDLER SPRING ACOUSTICAL CURB DETAIL - SECTION NO SCALE 15676-08



PIPING ROOF PENETRATION DETAIL NO SCALE 15617-09

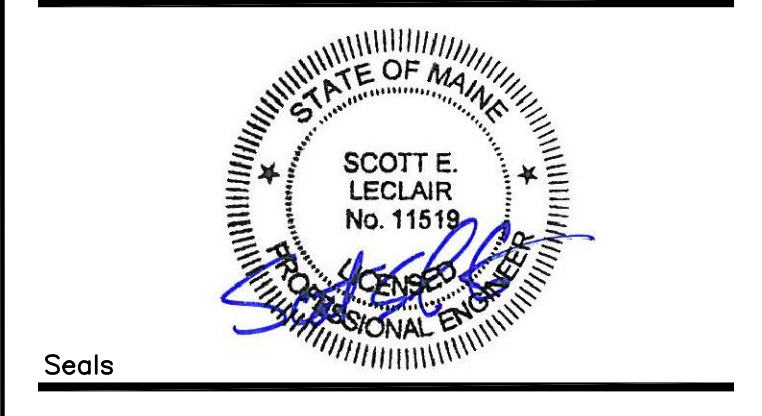


VIBRATION ISOLATOR DETAIL NO SCALE 15607-01



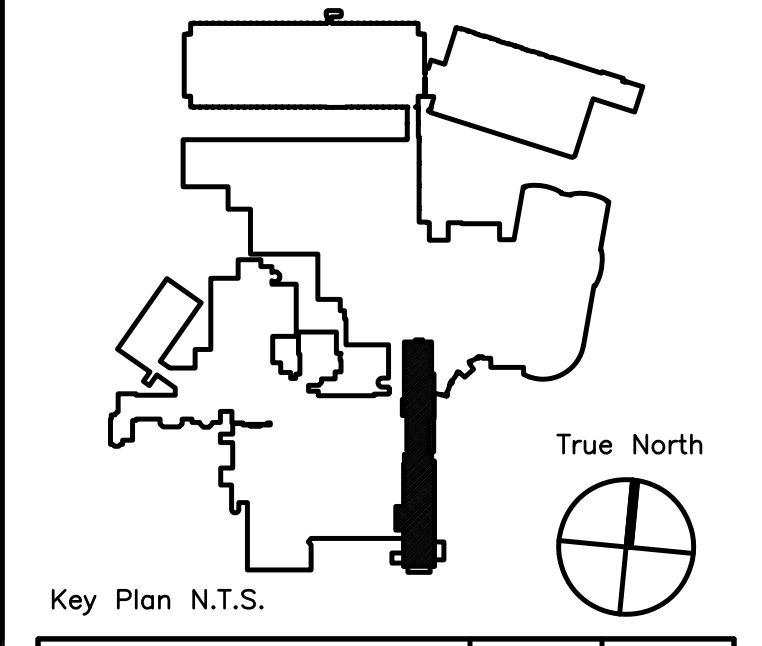
PRE-FABRICATED EQUIPMENT SUPPORT DETAIL NO SCALE 15676-05

MorrisSwitzer
Environments for Health
Williston, Vermont
Boston, Massachusetts
Portland, Maine
One Dana Street
Portland, ME 04101
t 207.773.8841
f 207.773.8840
© 2009 MorrisSwitzer
morriswitzer.com



BECKER
structural engineers, inc.
75 York Street
Portland, ME 04101-4701
info@beckerstructural.com
Tel 207-879-1838
Fax 207-879-1822
www.beckerstructural.com

Consultant
FITZMEYER & TOCCI
ASSOCIATES, INC.
92 Montvale Ave, Suite 4100
Saco, MA 02180
Tel: 781-481-0210
Fax: 781-481-0203
email: info@f-t.com
www.f-t.com
Project No.: 09018.00



ADDENDUM#1	12/4/09	1
Revision	Date	No

Maine Medical Center
Portland, Maine

MAINE MEDICAL CENTER
PAVILION 6 RENOVATIONS

MorrisSwitzer Project Number 28034
Date 11/19/09
Scale N.T.S.
Sheet Title and Number

SIXTH FLOOR PAVILIONS
"A" & "C" MECHANICAL
DETAILS II
3M4.1



BECKER
structural engineers, inc.

75 York Street Portland, ME 04101-4701
info@beckerstructural.com

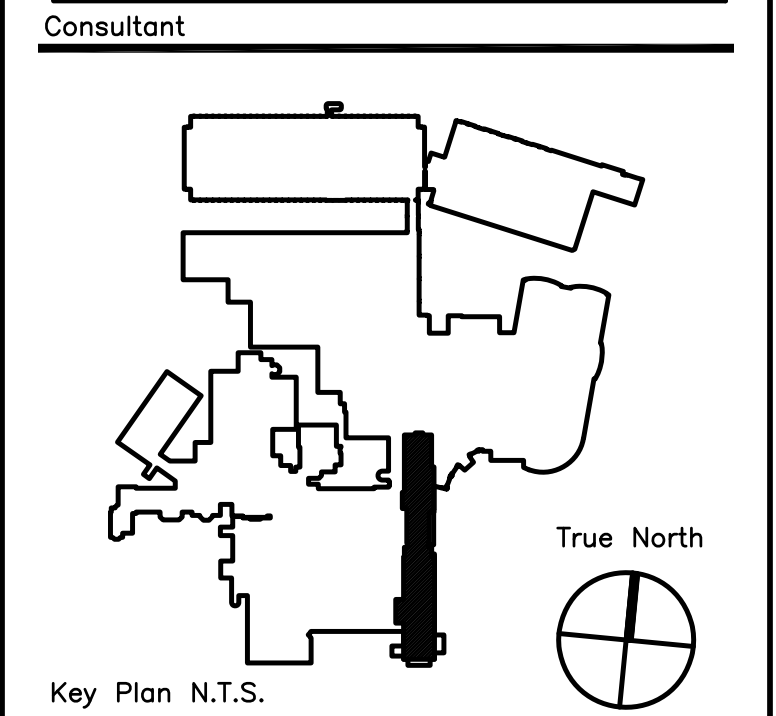
Tel 207-879-1838 Fax 207-879-1822
www.beckerstructural.com

MECHANICAL / ELECTRICAL ENGINEERS

92 Montvale Ave, Suite 4100
Snohomish, WA 98290
Tel: 781-481-0210 Fax: 781-481-0203
email: info@f-t.com www:f-t.com

FITZMEYER & TOCCI
ASSOCIATES, INC.

Project No.: 09018.00



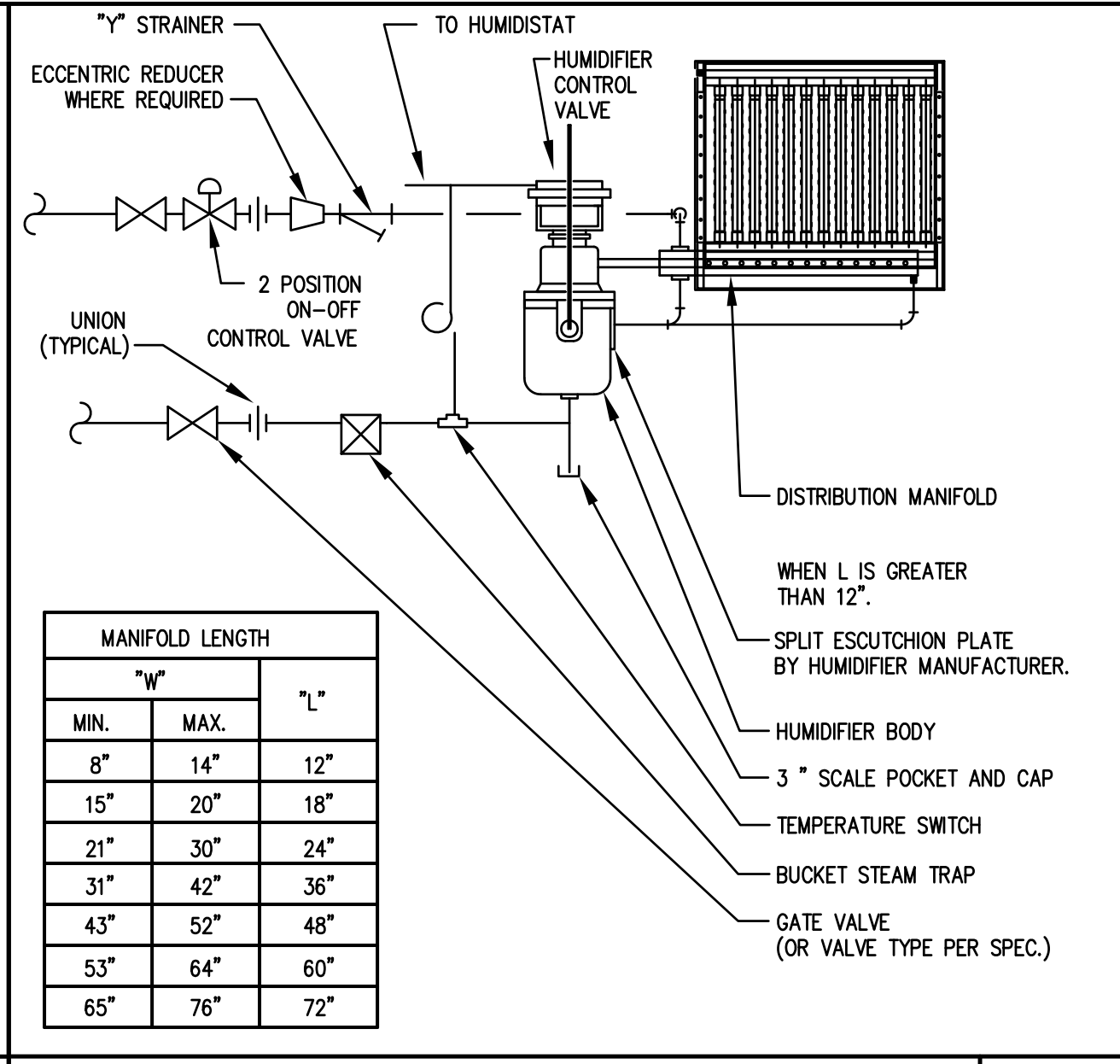
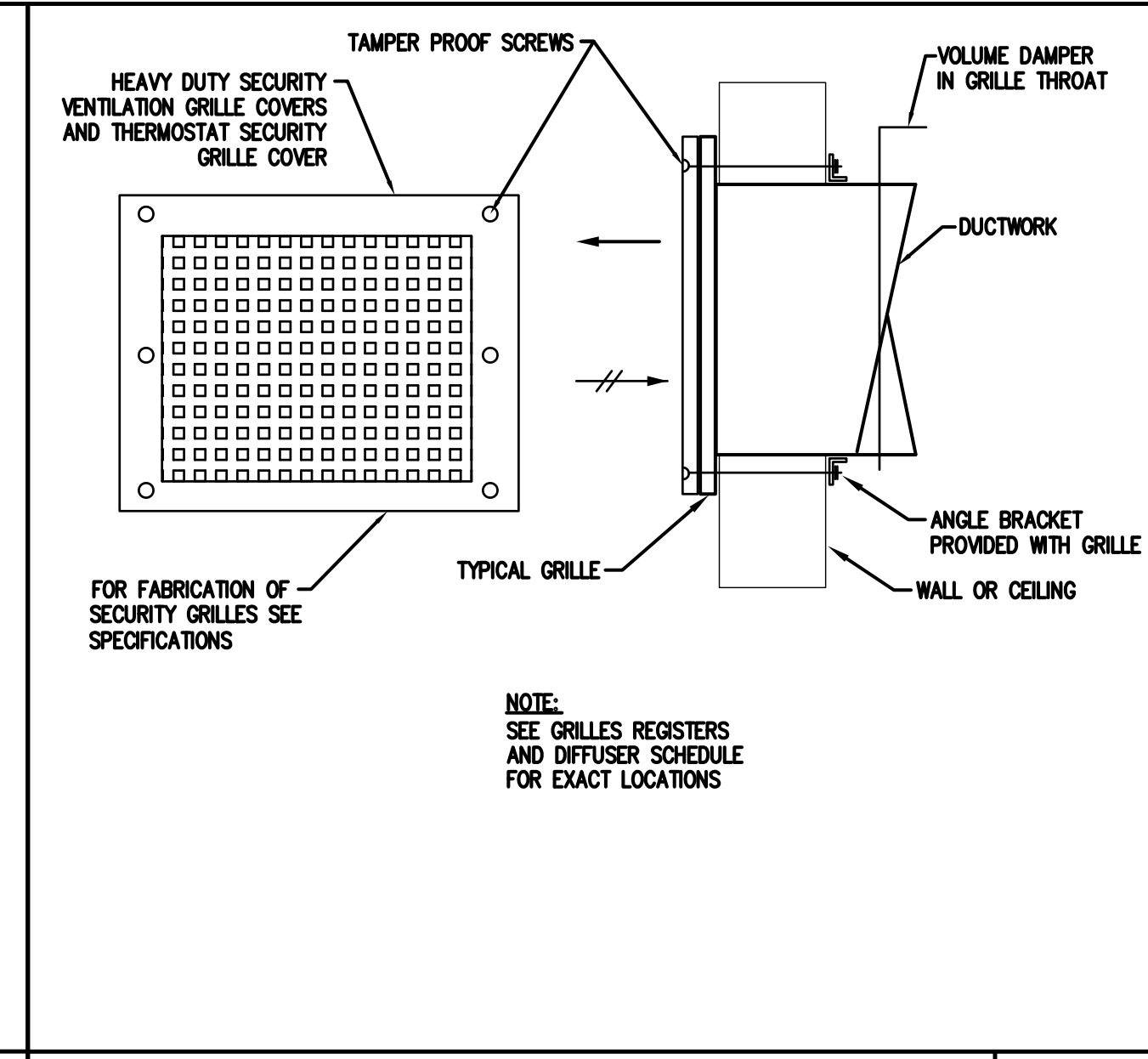
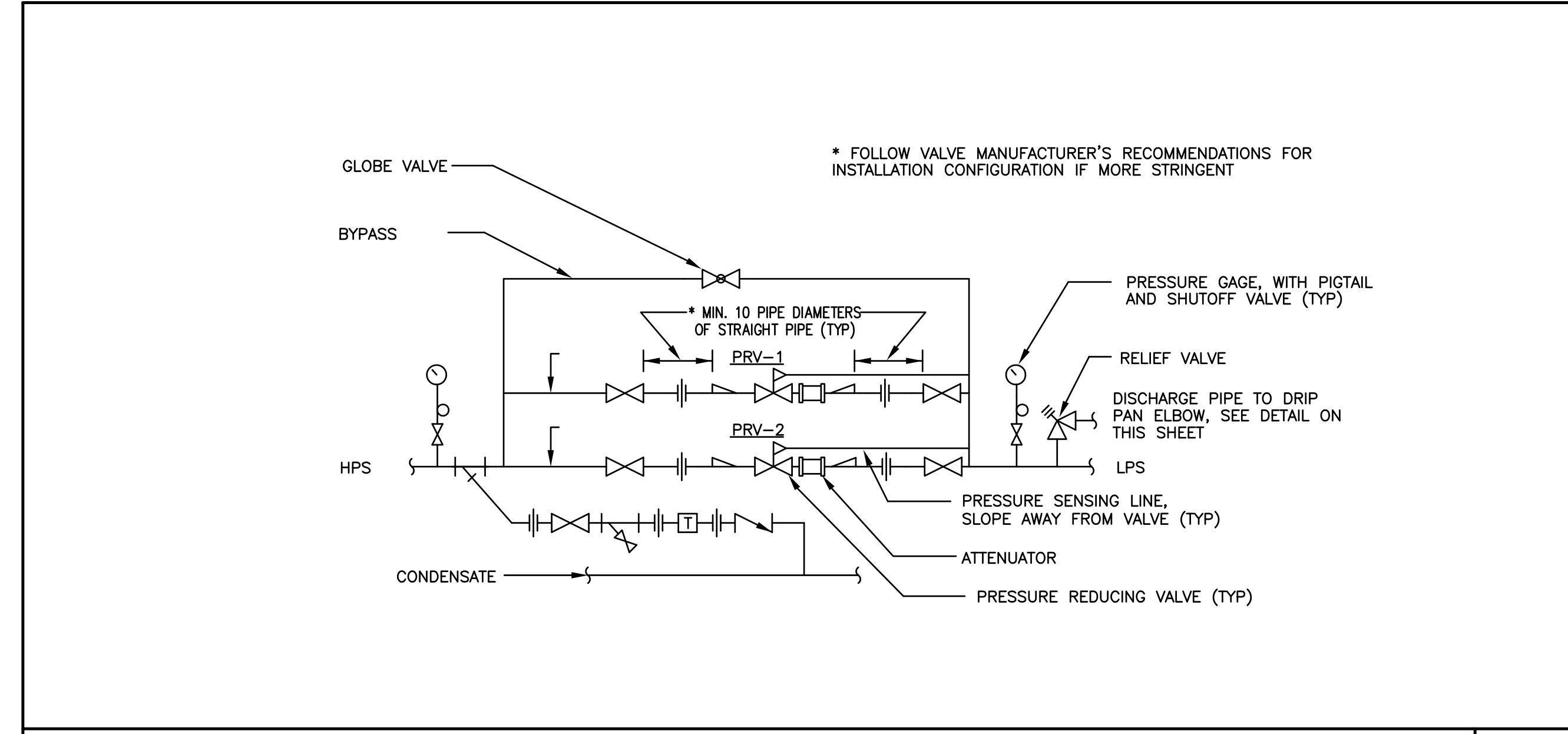
ADDENDUM#1	12/4/09	1
Revision	Date	No

Maine Medical Center
Portland, Maine

MAINE MEDICAL CENTER
PAVILION 6 RENOVATIONS

MorrisSwitzer Project Number 28034
Date 11/19/09
Scale N.T.S.
Sheet Title and Number

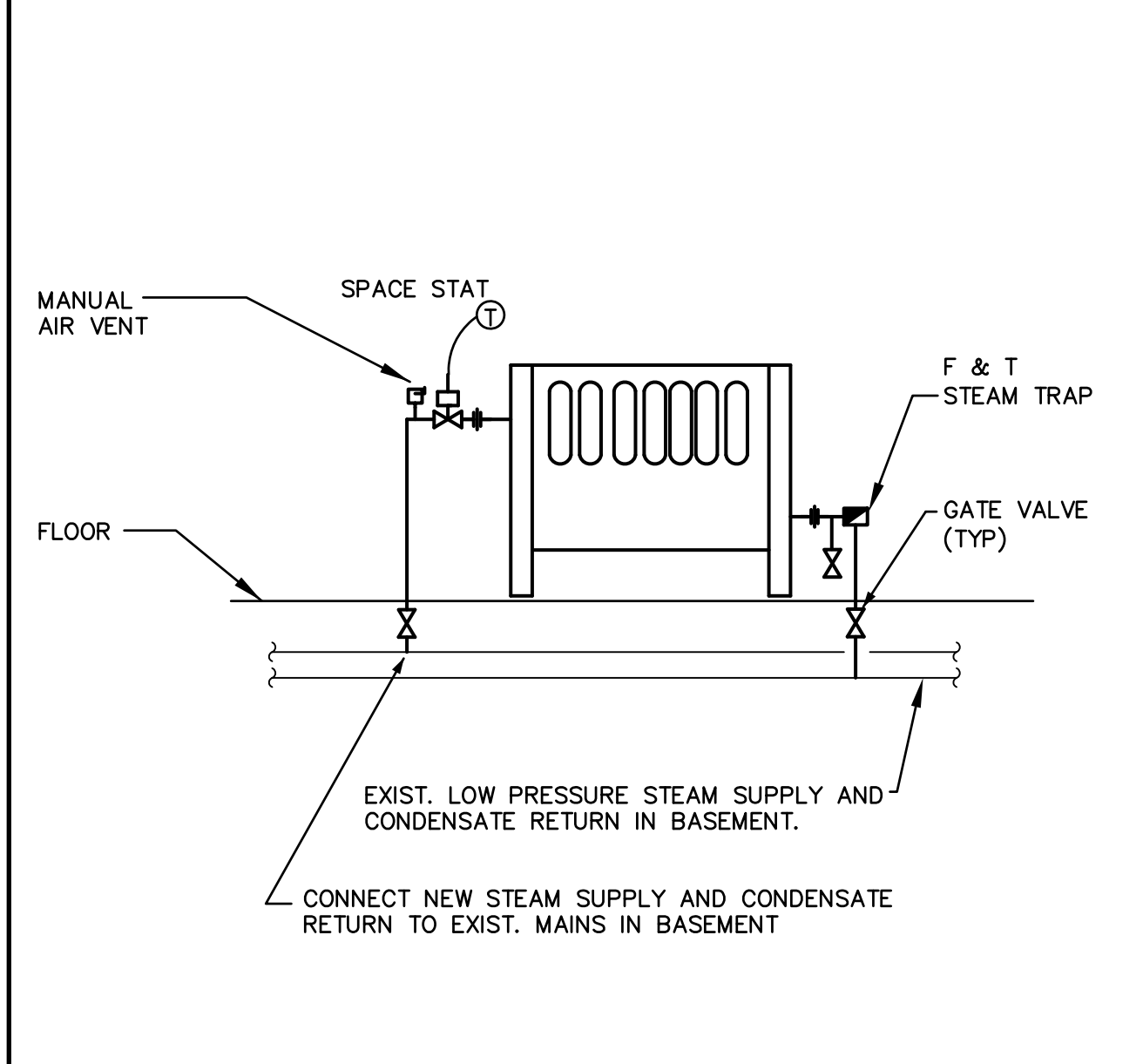
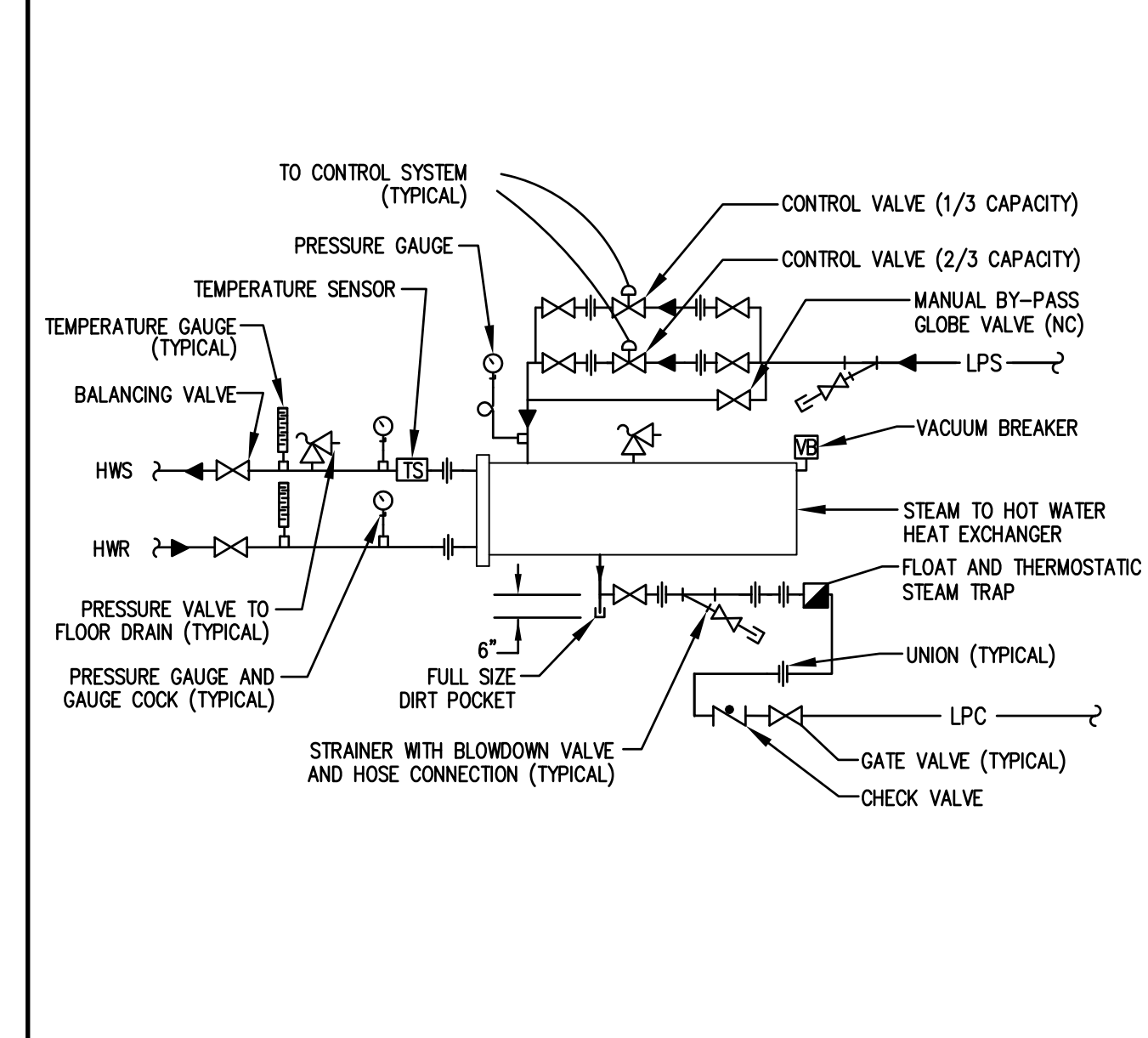
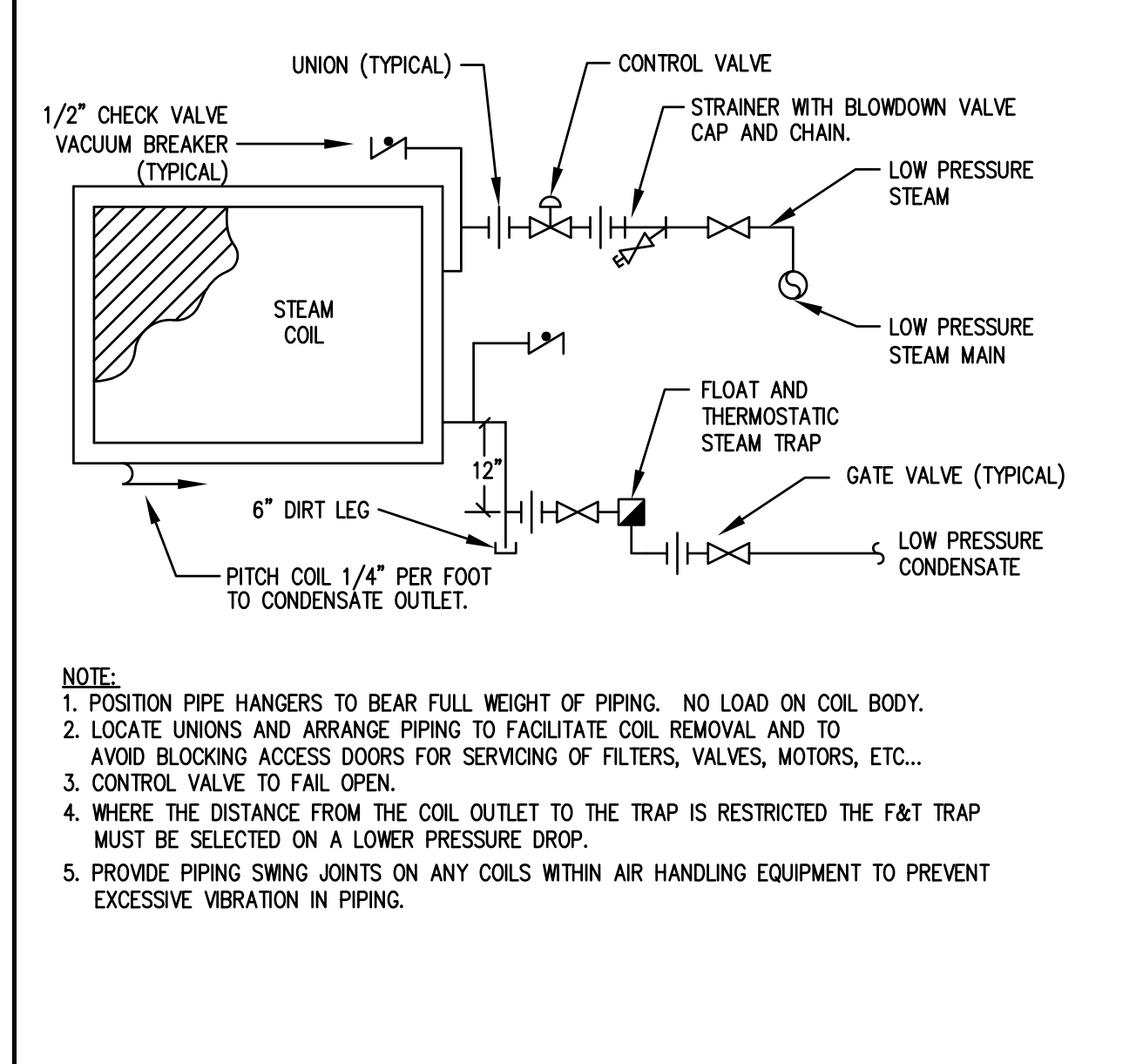
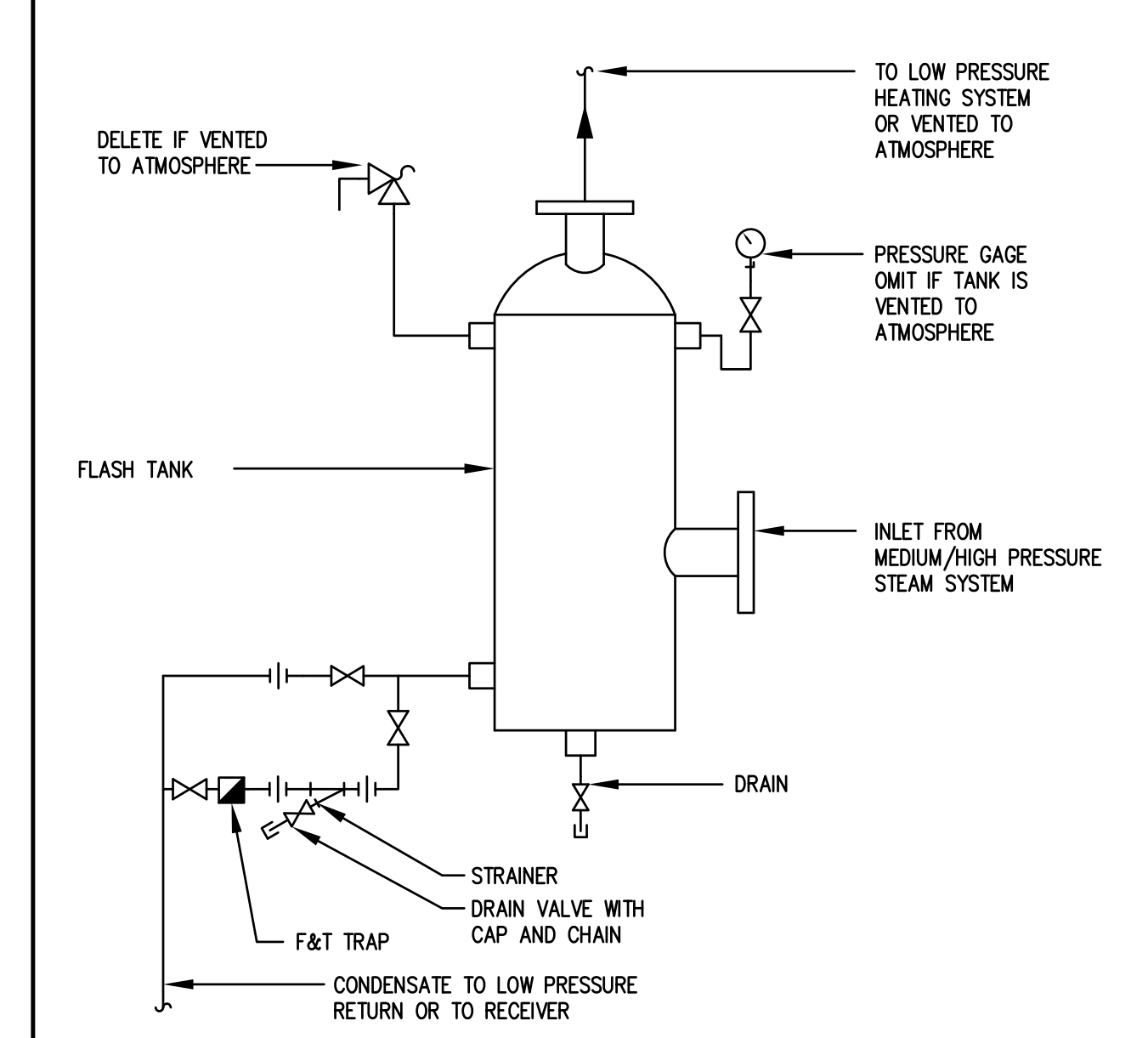
SIXTH FLOOR PAVILIONS
"A" & "C" MECHANICAL
DETAILS III
3M4.2



STEAM PRESSURE REDUCING STATION DETAIL NO SCALE

HIGH SECURITY GRILLE AND THERMOSTAT COVER DETAIL NO SCALE 15613-30

HUMIDIFIER DETAIL NO SCALE 15629-01

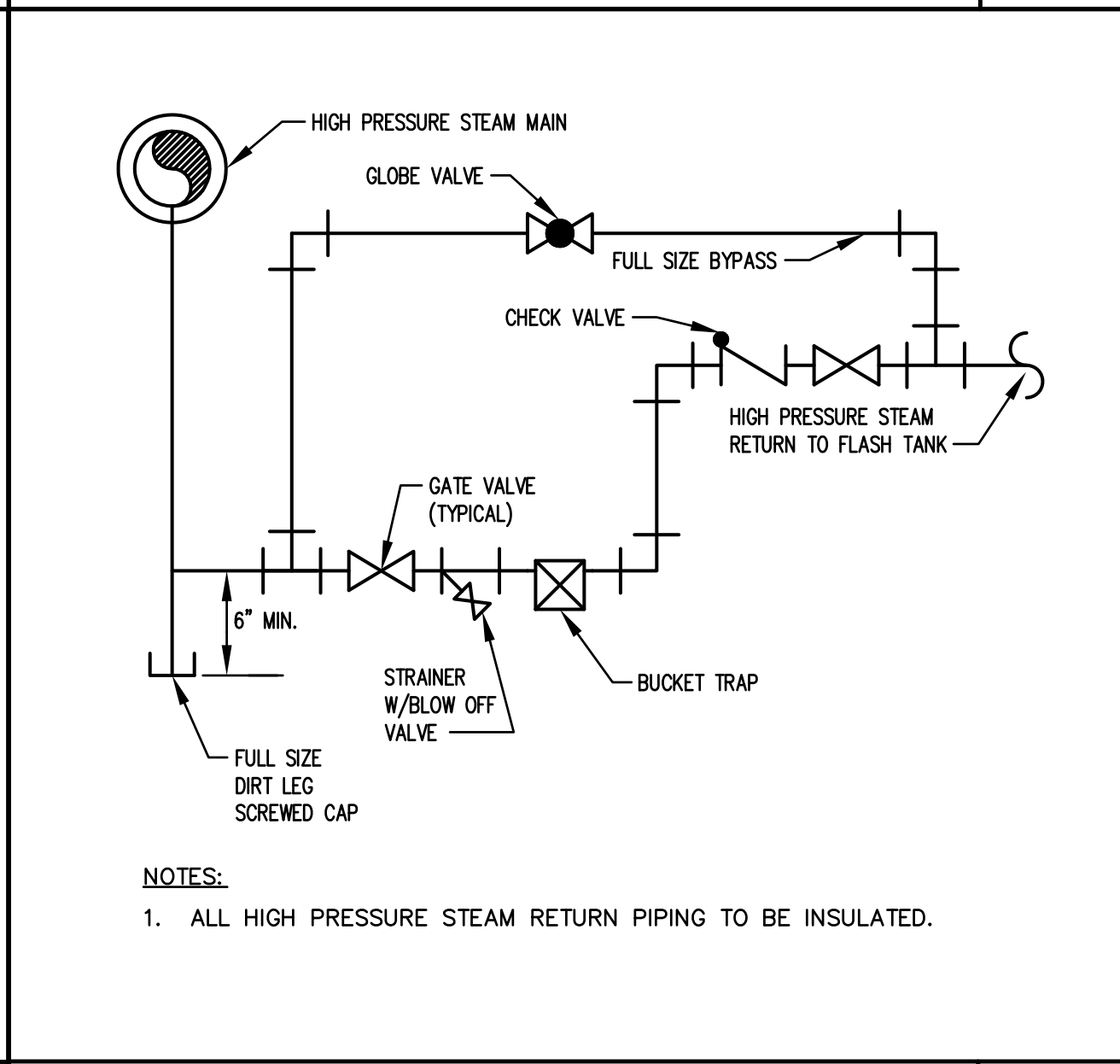
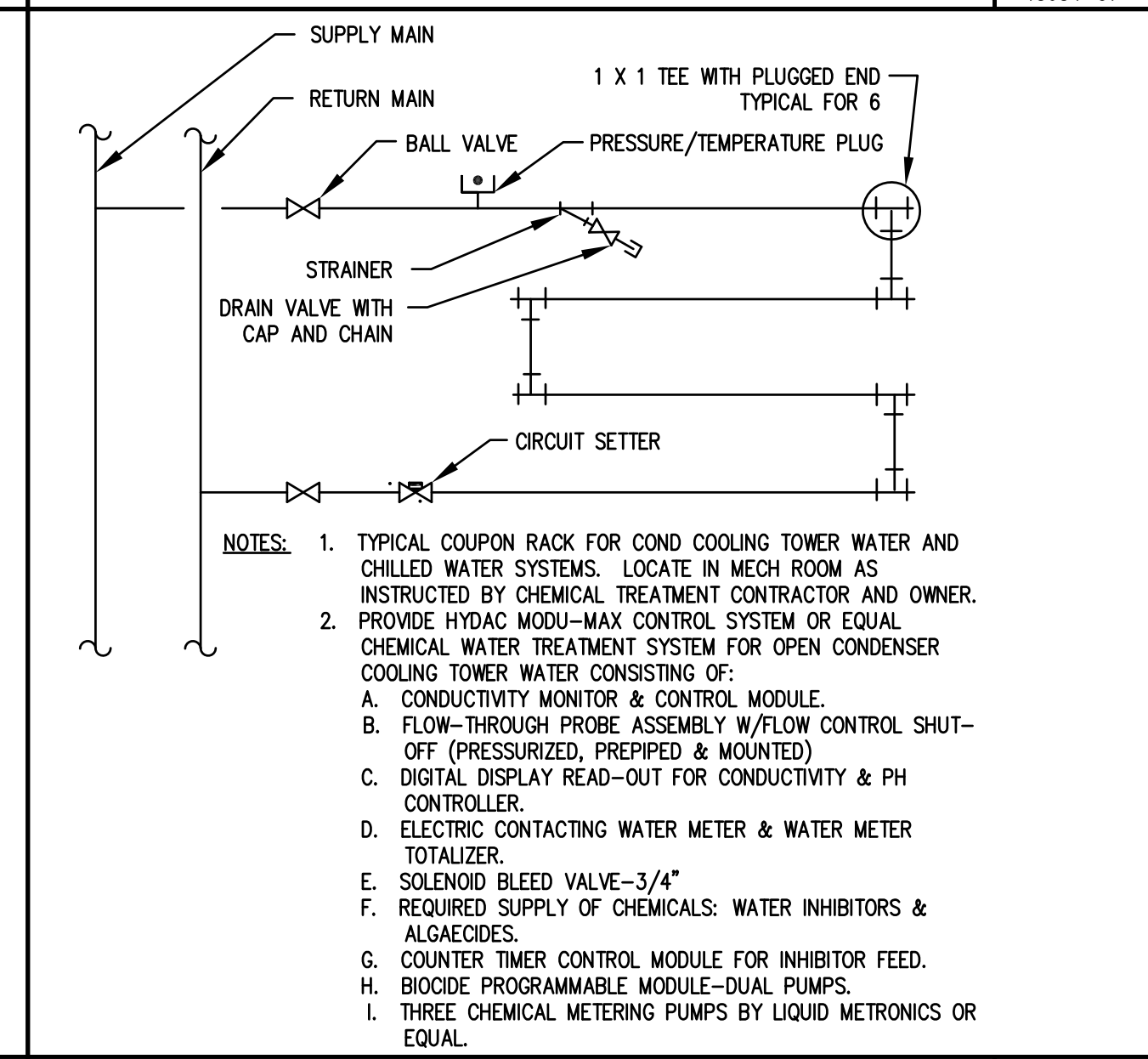
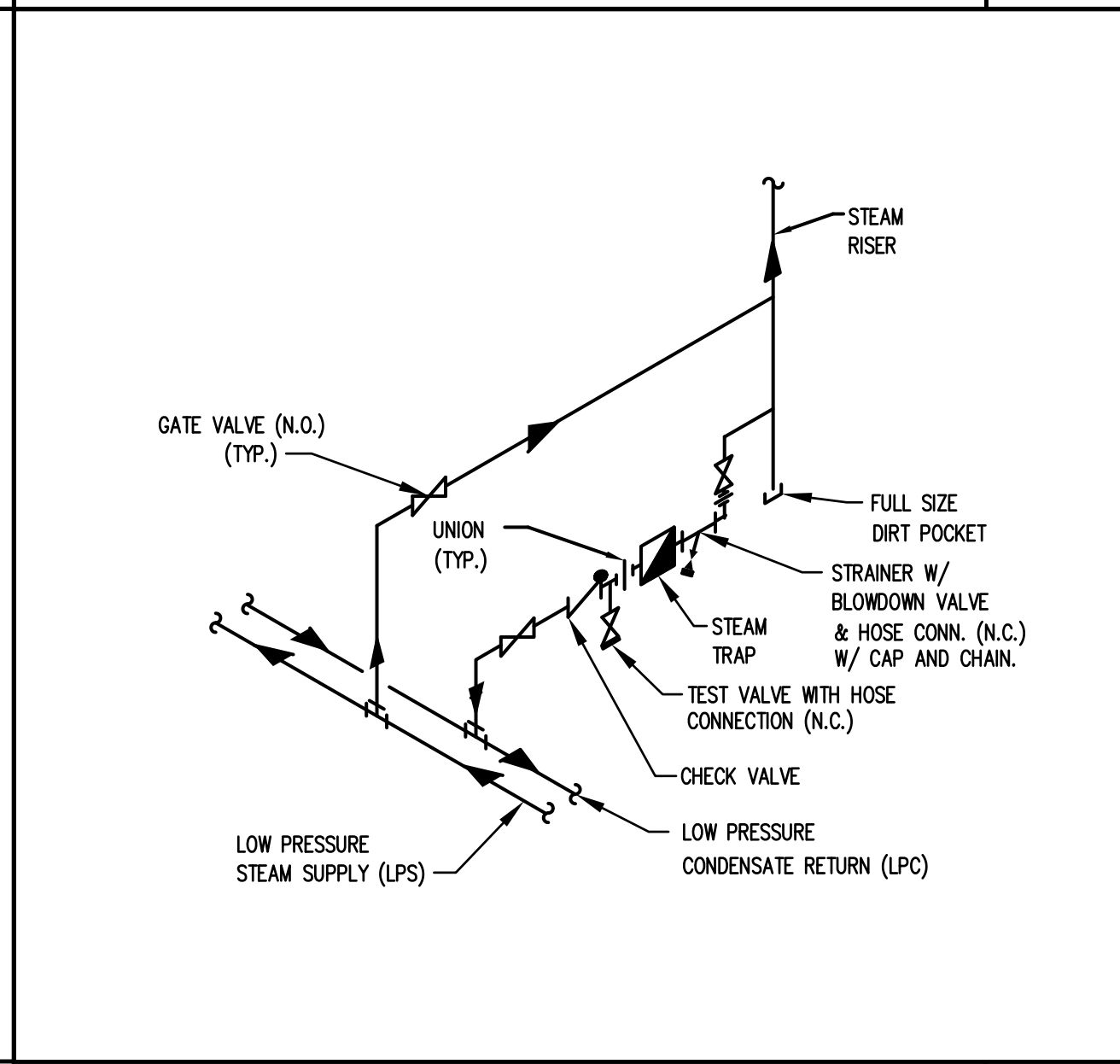
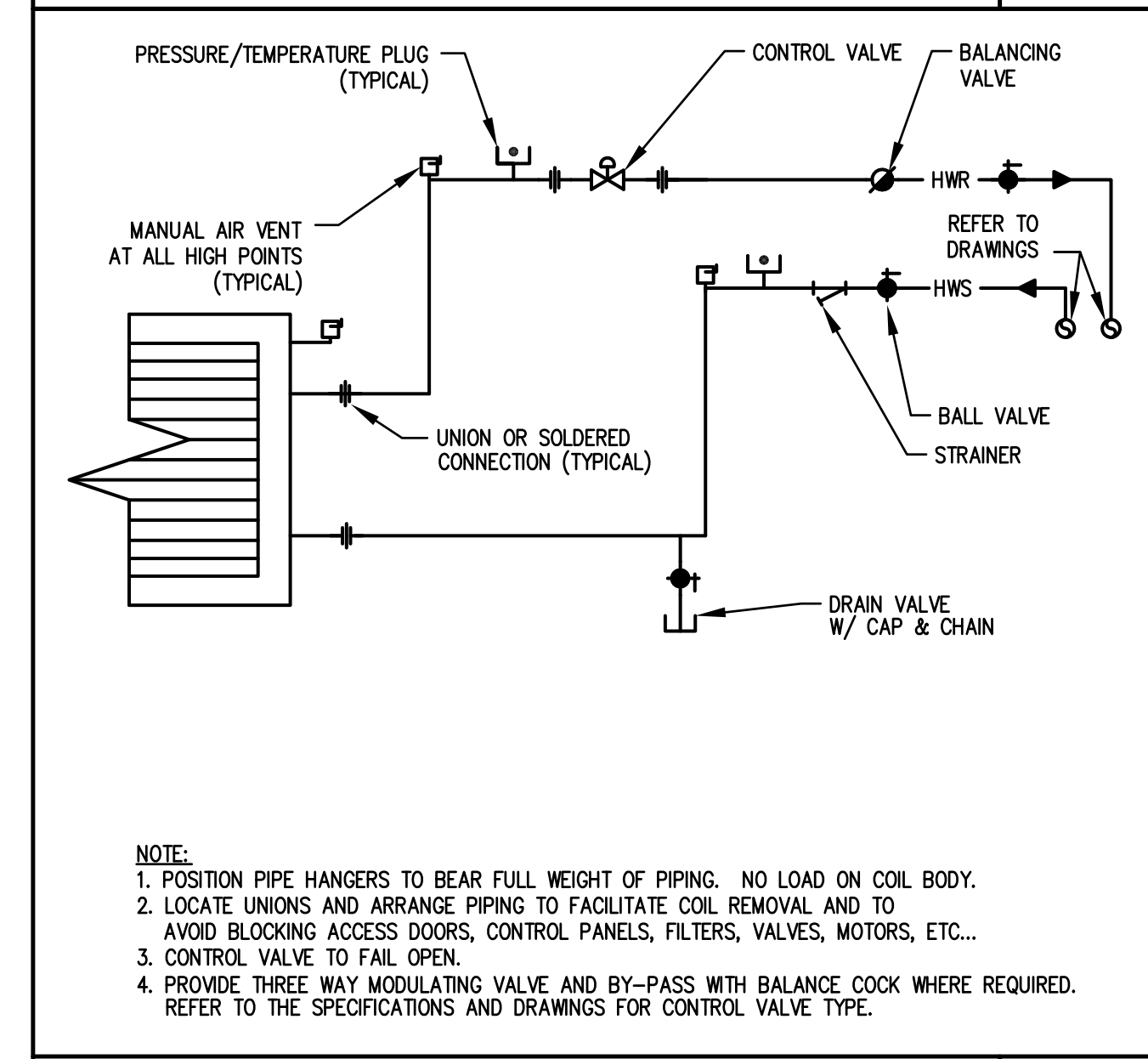


VERTICAL FLASH TANK PIPING SCHEMATIC NO SCALE 15629-04

TERMINAL STEAM COIL PIPING SCHEMATIC NO SCALE 15629-05

STEAM TO HOT WATER HEAT EXCHANGER PIPING NO SCALE 15654-01

STEAM RADIATOR DETAIL NO SCALE 15647-08

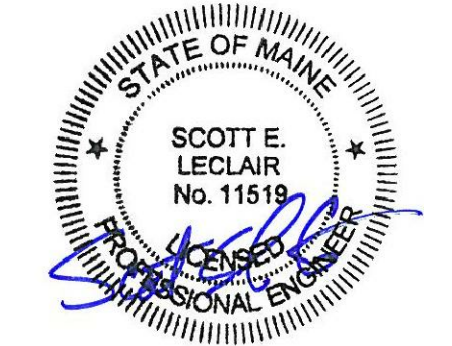


TERMINAL HOT WATER COIL PIPING SCHEMATIC NO SCALE 15624-02

STEAM RISER CONDENSATE TRAP PIPING SCHEMATIC NO SCALE 15629-02

CHEMICAL TREATMENT & COUPON RACK DETAIL NO SCALE 15622-02

HIGH PRESSURE STEAM DRIP AND TRAP NO SCALE 15629-13

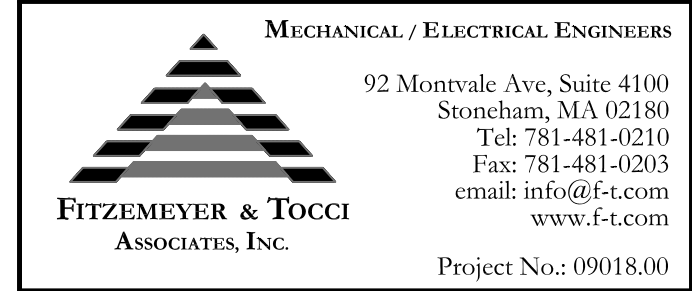


Seals

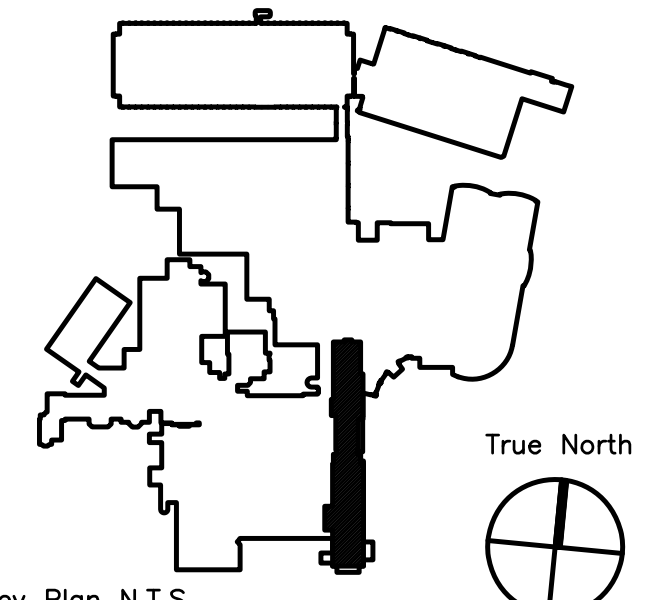
BECKER
structural engineers, inc.

75 York Street Portland, ME 04101-4701
info@beckerstructural.com www.beckerstructural.com
Tel: 207-879-1838 Fax: 207-879-1822

Consultant



Consultant



Key Plan N.T.S.

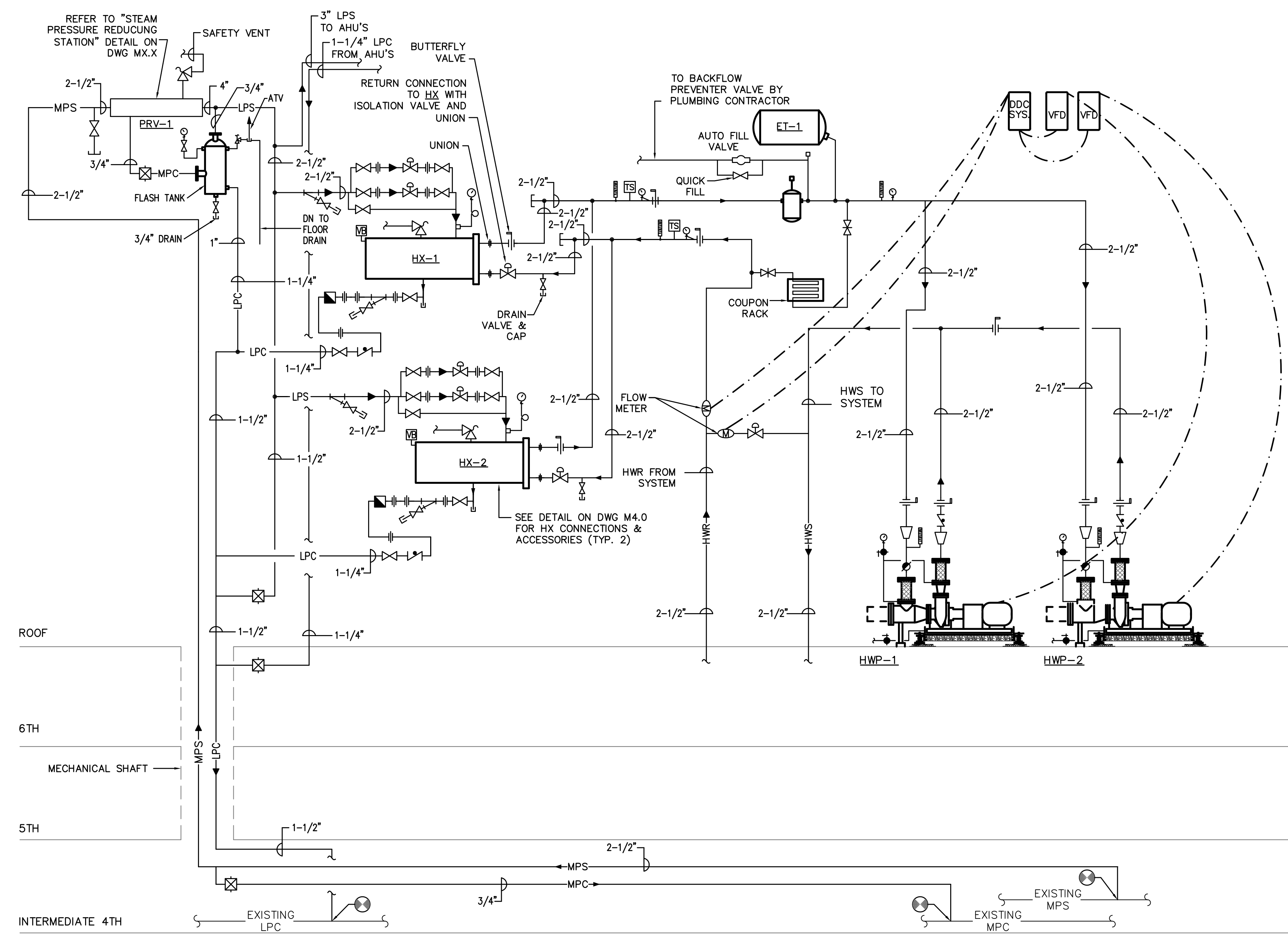
ADDENDUM#	Date	No
1	12/4/09	1



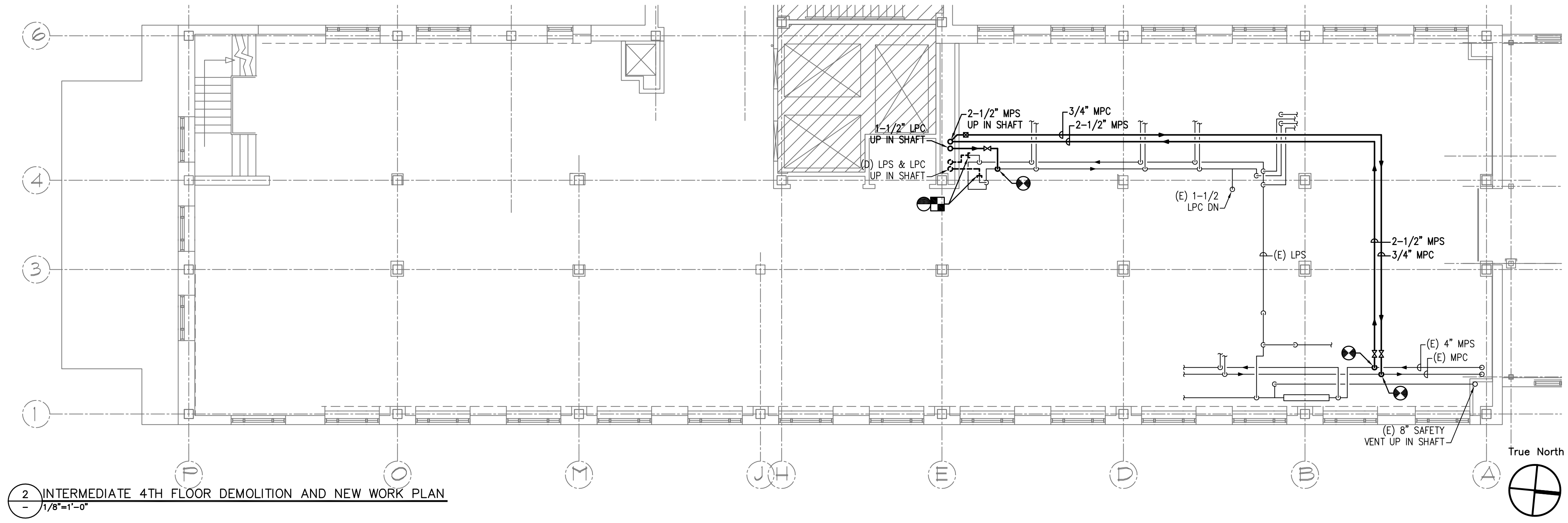
MAINE MEDICAL CENTER
PAVILION 6 RENOVATIONS

MorrisSwitzer Project Number 28034
Date 11/19/09
Scale N.T.S.
Sheet Title and Number

MECHANICAL HYDRONIC SCHEMATIC & INTER. 4th/5th FLOOR PLAN
3M5.0



1 HYDRONIC SCHEMATIC
- N.T.S.



2 INTERMEDIATE 4TH FLOOR DEMOLITION AND NEW WORK PLAN
- 1/8"=1'-0"