

MEDICAL GAS ALARM PANEL SCHEDULE																	
TAG	MFG	MODEL	LOCATION(S)	MEDICAL GAS ALARM CONTACTS								ELECTRIC		REMARKS			
				CO ₂	OX	MV	MA	N ₂ O	AE	NIT	IA	HZ	PH		VOLTS		
AAP-1	BEACONMEDAES	6-M2R-OVBB	UNIT SEC'Y 6316	0	1	1	0	0	0	0	0	0	0	60	1	120	ALARM PANEL WITH REMOTE PRESSURE SENSORS.

NOTES:
24 VOLT WIRING BETWEEN PRESSURE SENSORS AND ALARM PANELS SHALL BE FURNISHED AND INSTALLED BY THE PLUMBING CONTRACTOR.

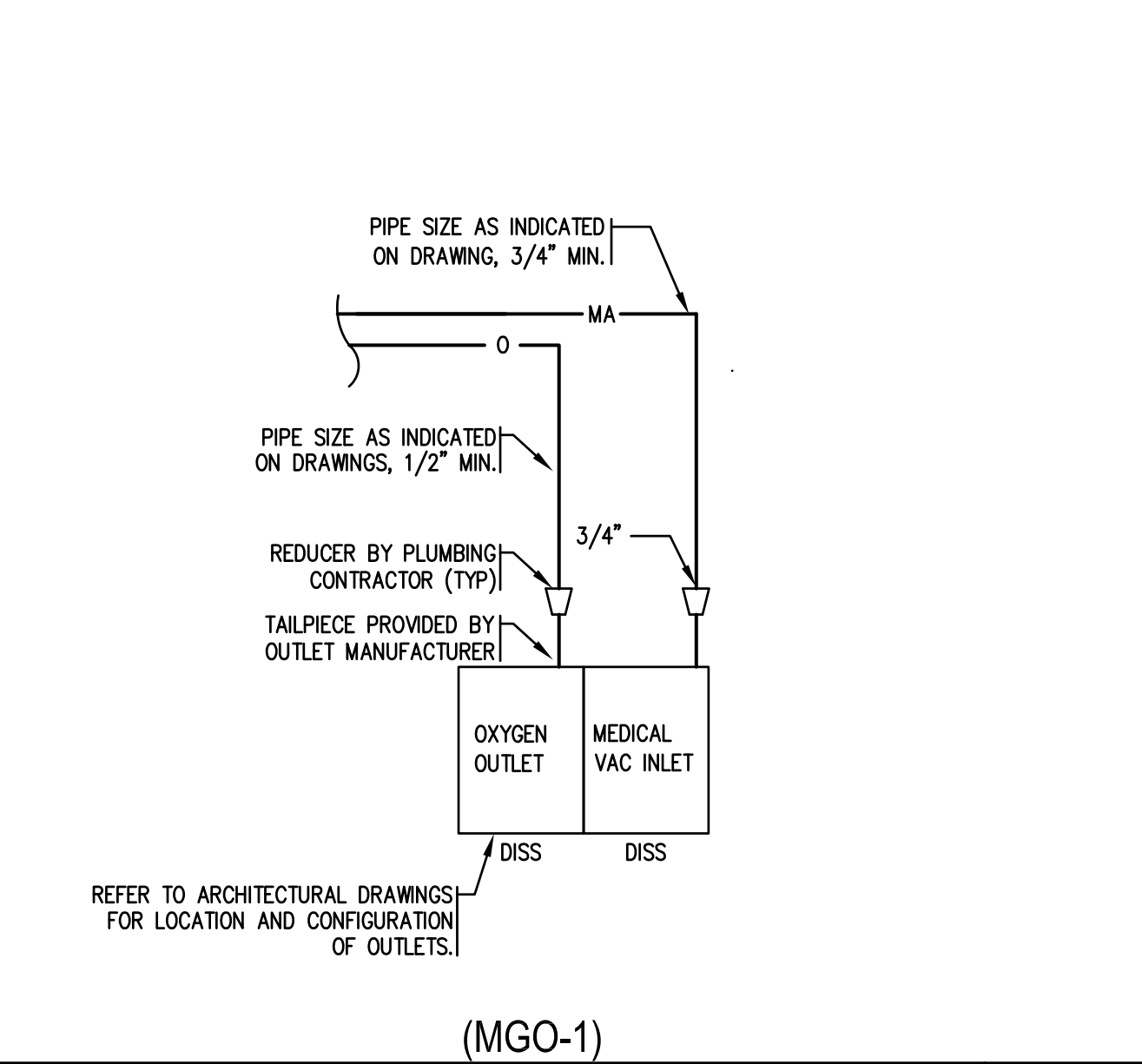
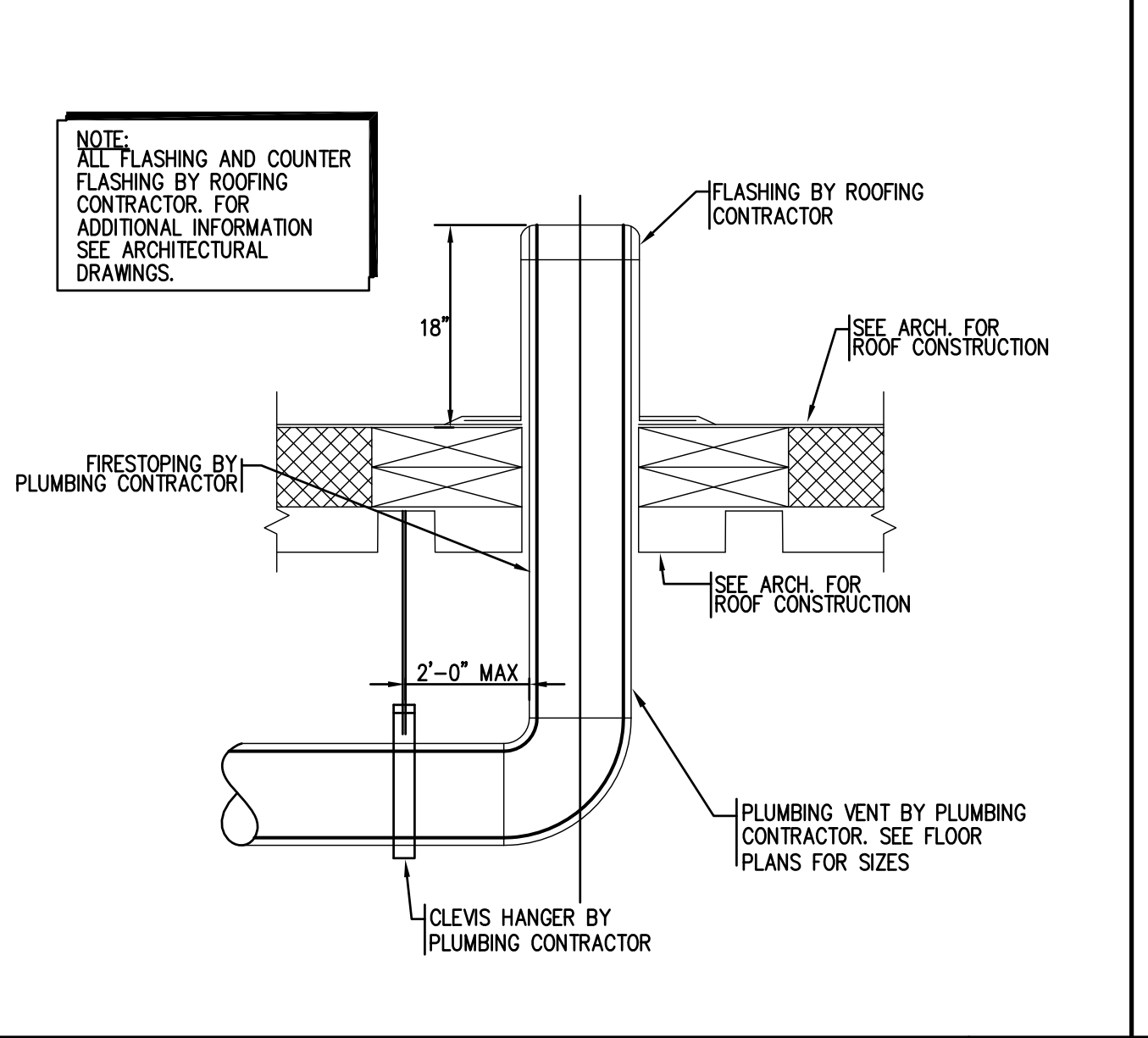
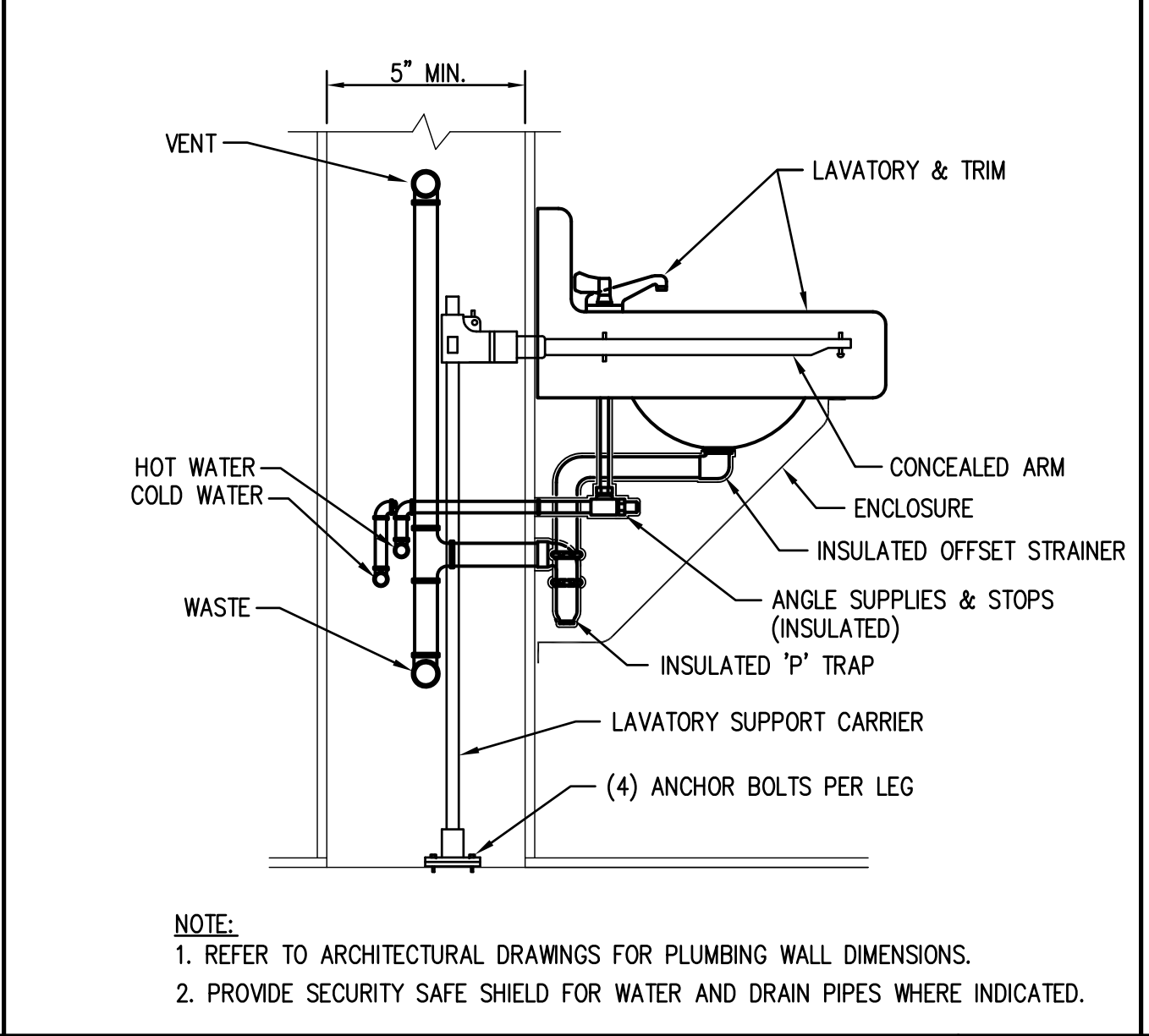
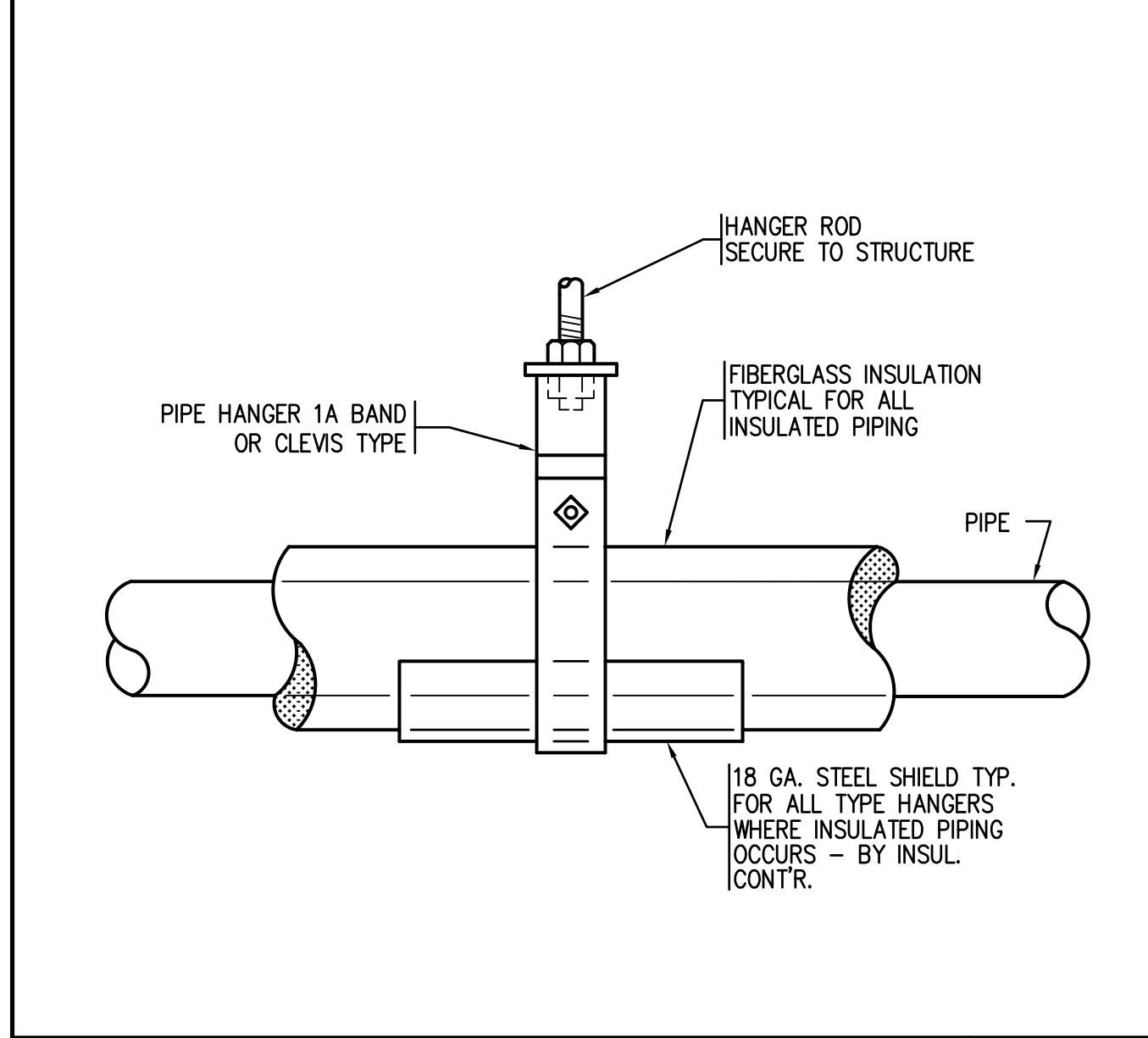
MEDICAL GAS OUTLET SCHEDULE													
TAG	DESCRIPTION	GAS OUTLETS											
		MV	OX	SLIDE	N ₂ O	MA	N	EVAC	IA	CO ₂			
MGO-1	WALL OUTLETS	1	1	0	0	0	0	0	0	0	0	0	0

NOTES:
1. ALL MEDICAL GAS OUTLETS SHALL BE DISS TYPE WITH TAMPER PROOF KITS.
2. SEE ARCHITECTURAL DRAWINGS FOR STAINLESS STEEL SECURITY SAFE ACCESS PANEL FOR MEDICAL GAS OUTLETS. COORDINATE OUTLETS WITH ACCESS PANEL.

MEDICAL GAS ZONE VALVE BOX SCHEDULE													
TAG	LOCATION(S)	VALVE SIZES											
		N ₂ O	MV	OX	MA	NIT.	ANES. EVAC.	INSTRU. AIR	CO ₂				
MGOZV-1	CORRIDOR DC-6PSY4	---	1-1/4"	3/4"	---	---	---	---	---	---	---	---	---

NOTES:
1. PROVIDE STAINLESS STEEL SECURITY SAFE ACCESS PANEL FOR MEDICAL GAS ZONE VALVE BOX.

BACKFLOW PREVENTER SCHEDULE										
DESIGNATION	MFG.	MODEL NO.	SIZE	LOCATION/ ROOM NO.	TYPE		SERVICE		REMARKS	
					RPBP	DCVA	ROOM NO.	EQUIPMENT		
(1) BFP	WATTS	009	3/4"	KITCHEN 621B	X	-	-	-	DISHWASHER	INSTALL PER D.E.P. REQUIREMENTS
(1) BFP	WATTS	7C	3/8"	KITCHEN 621B	-	X	-	-	COFFEE MAKERS	INSTALL PER D.E.P. REQUIREMENTS
(1) BFP	WATTS	7C	1/2"	KITCHEN 621B	X	-	-	-	ICE MACHINES WASTE MGMT.	INSTALL PER D.E.P. REQUIREMENTS
(1) BFP	WATTS	009	1"	PENTHOUSE ROOF	X	-	-	-	HEATING SYSTEM	INSTALL PER D.E.P. REQUIREMENTS

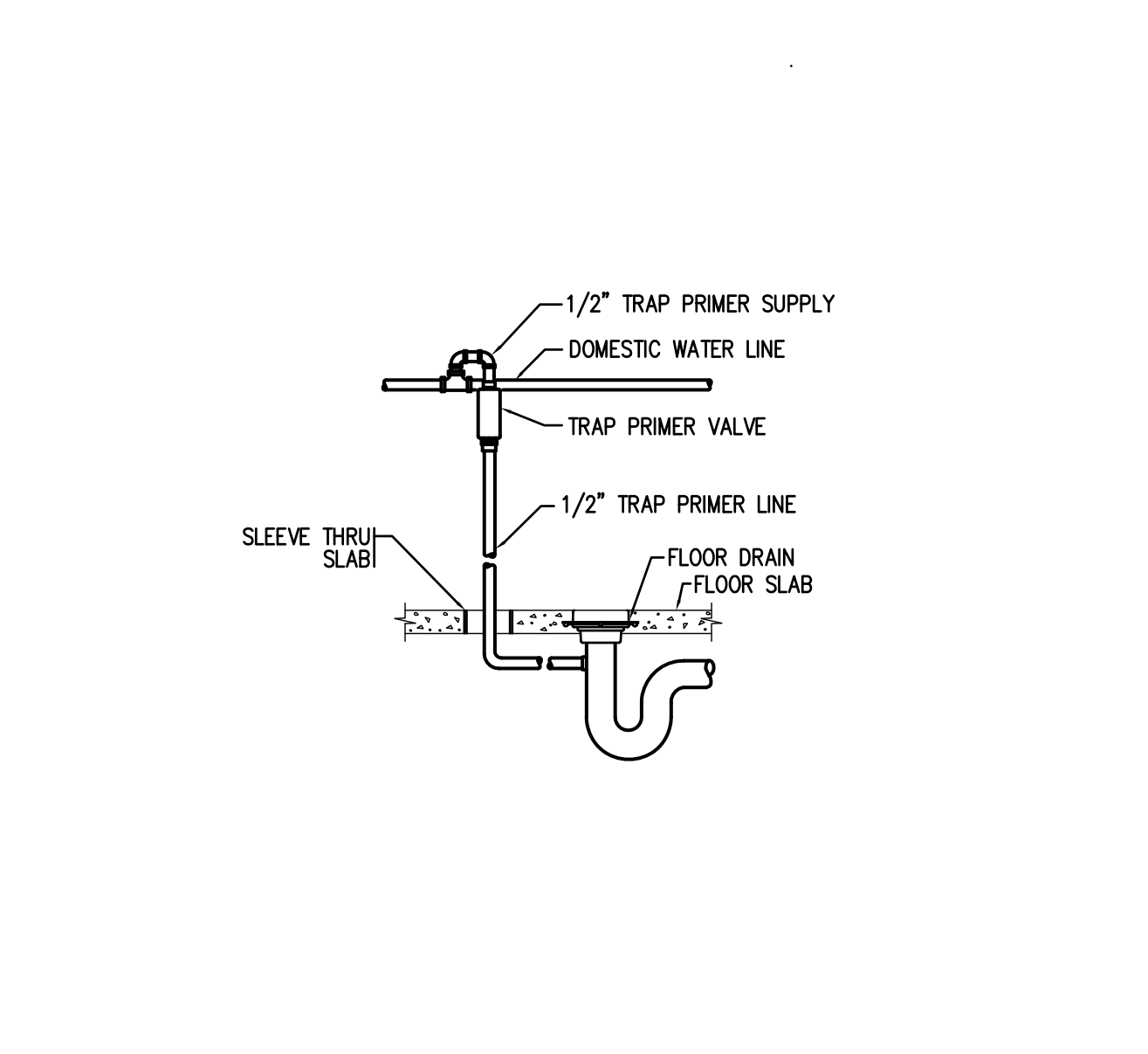
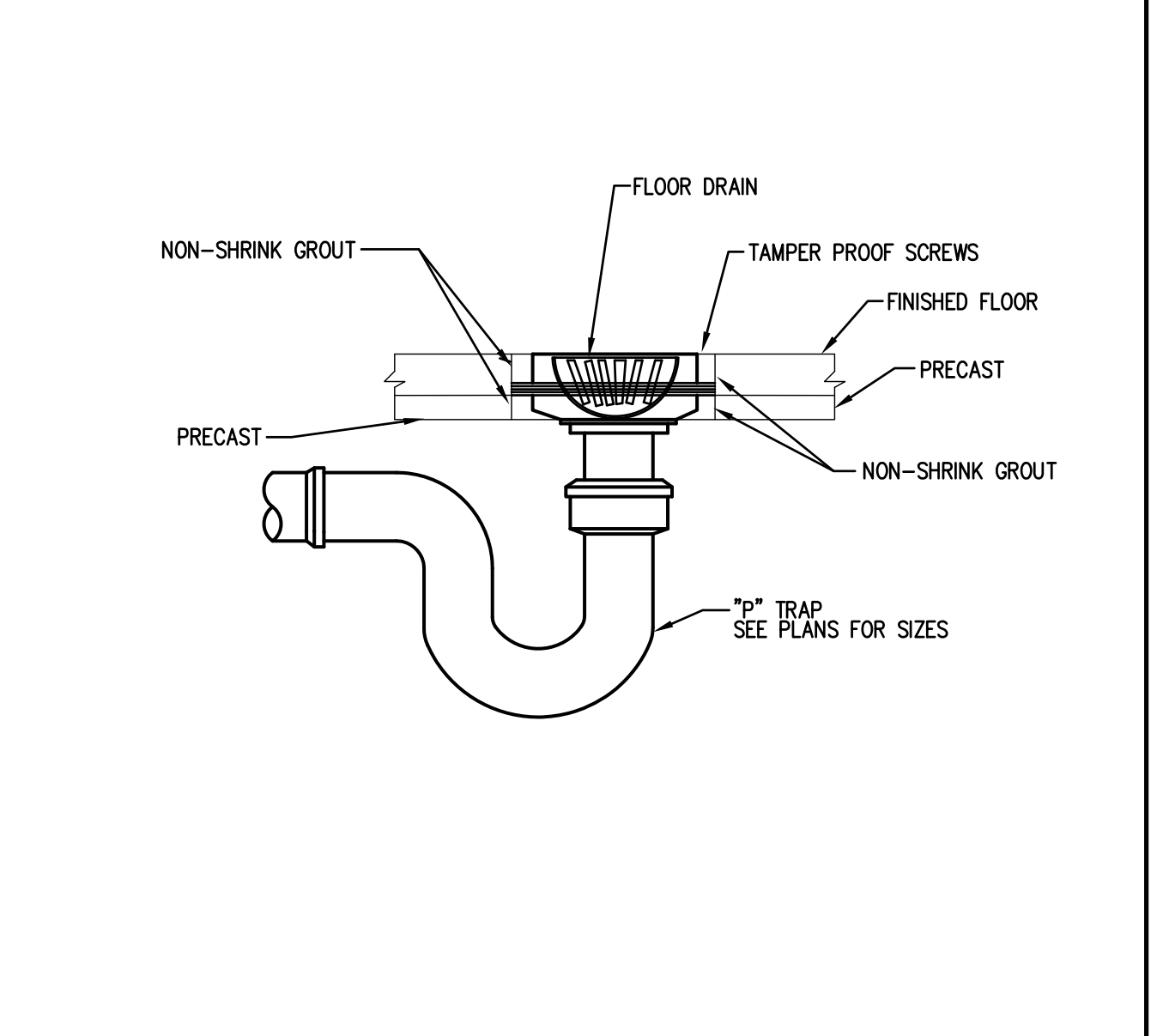
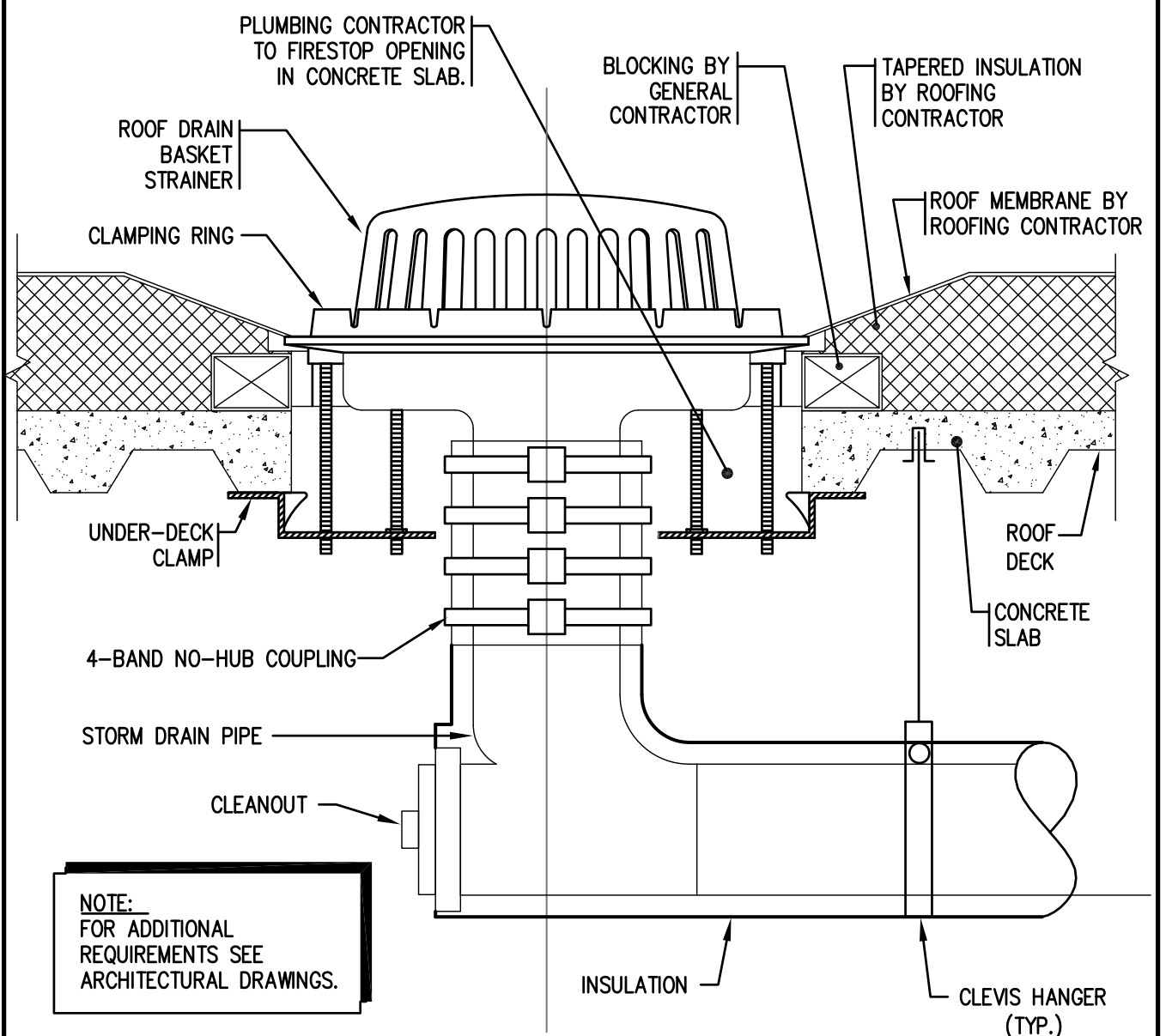
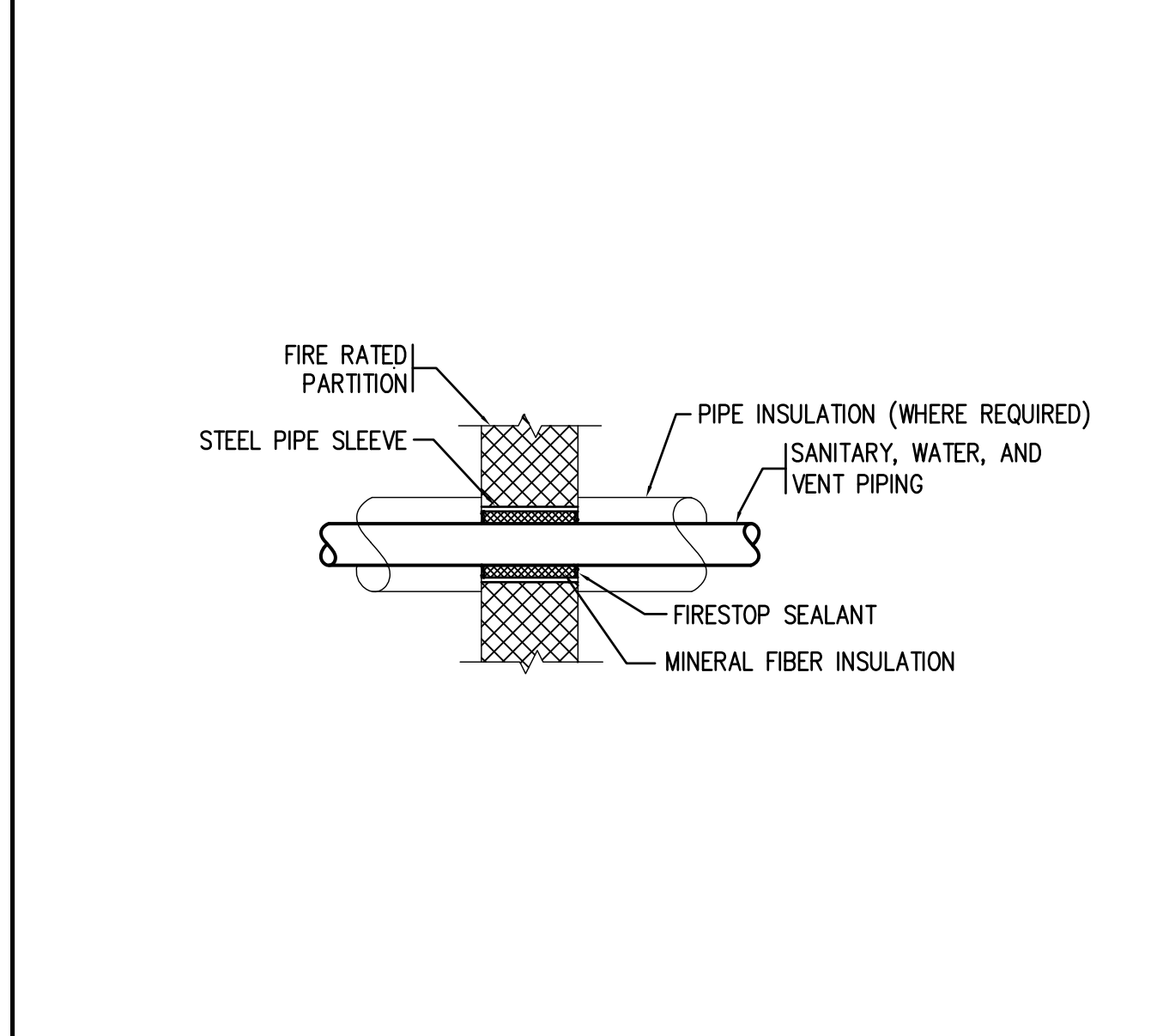


PIPE HANGER DIAGRAM NO SCALE P-1

H.C. WALL HUNG LAVATORY DIAGRAM NO SCALE P-2

TYPICAL VENT THRU ROOF DETAIL NO SCALE P-04

MEDICAL GAS OUTLETS ROUGHING DIAGRAM NO SCALE DMGAS_07



FIRE PROOFING INSULATED PIPE PENETRATION THRU FIRE /SMOKE RATED PARTITION DIAGRAM NO SCALE P-5

ROOF DRAIN PIPING DIAGRAM NO SCALE P-201

FLOOR DRAIN DIAGRAM NO SCALE P-02

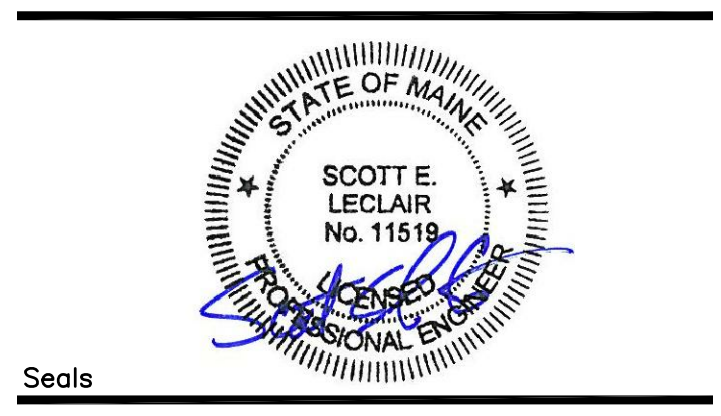
TRAP SEAL PRIMER DIAGRAM NO SCALE P-210

MorrisSwitzer
Environments for Health

Williston, Vermont
Boston, Massachusetts
Portland, Maine

One Dana Street
Portland, ME 04101
t 207.773.8841
f 207.773.8840

© 2009 MorrisSwitzer morriswitzer.com



BECKER
structural engineers, inc.

75 York Street
Portland, ME 04101-4701
info@beckerstructural.com

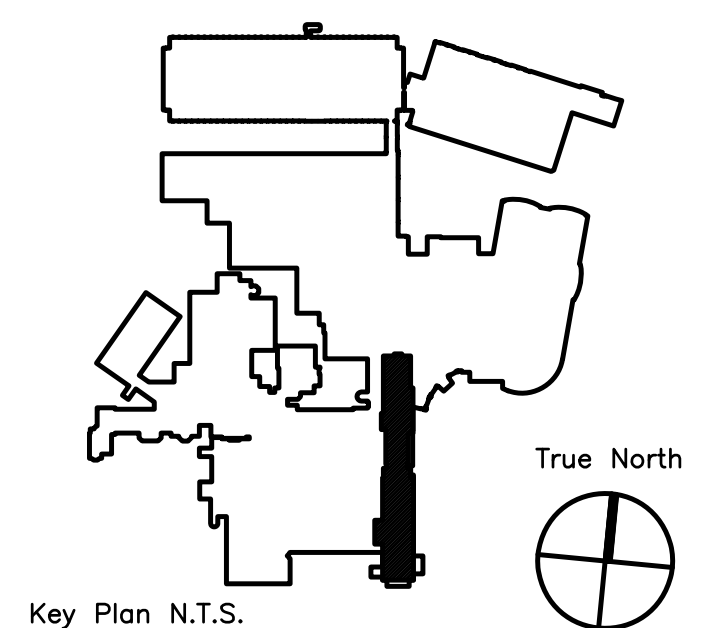
Tel 207-879-1838
Fax 207-879-1822
www.beckerstructural.com

Consultant

MECHANICAL / ELECTRICAL ENGINEERS

92 Montvale Ave, Suite 4100
Saco, ME 04218
Tel: 781-481-0210
Fax: 781-481-0203
email: info@f-t.com
www.f-t.com
Project No.: 09018.00

Consultant



ADDENDUM#1	12/4/09	1
Revision	Date	No

Maine Medical Center
Portland, Maine

MAINE MEDICAL CENTER
PAVILION 6 RENOVATIONS

MorrisSwitzer Project Number 28034
Date 11/19/09
Scale NOT TO SCALE
Sheet Title and Number

SIXTH FLOOR PAVILIONS
"A" & "C" PLUMBING
SCHEDULE & DETAILS
3P3.0

