



Seals

**BECKER**  
structural engineers, inc.

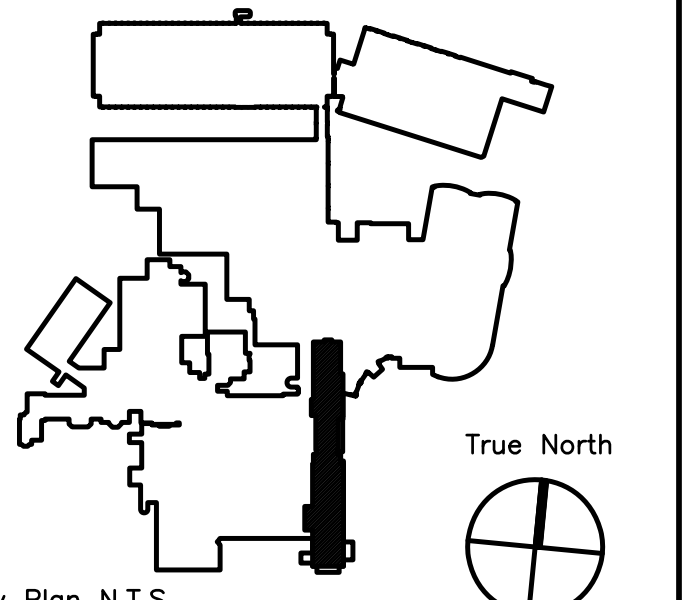
75 York Street  
Portland, ME 04101-4701  
info@beckerstructural.com

Tel: 207-879-1838  
Fax: 207-879-1822  
www.beckerstructural.com

Consultant



Consultant



Key Plan N.T.S.

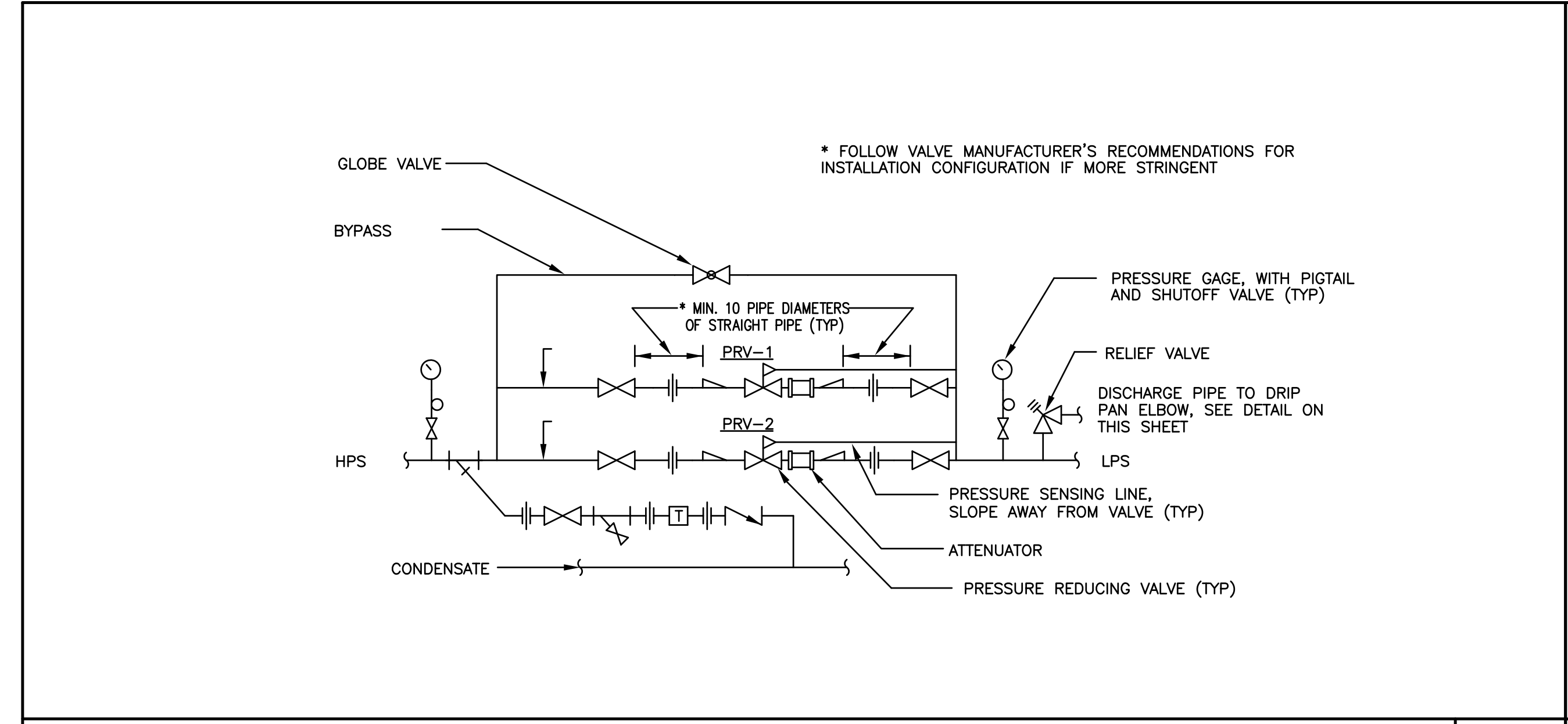
ADDENDUM#1	12/4/09	1
Revision	Date	No



**MAINE MEDICAL CENTER**  
PAVILION 6 RENOVATIONS

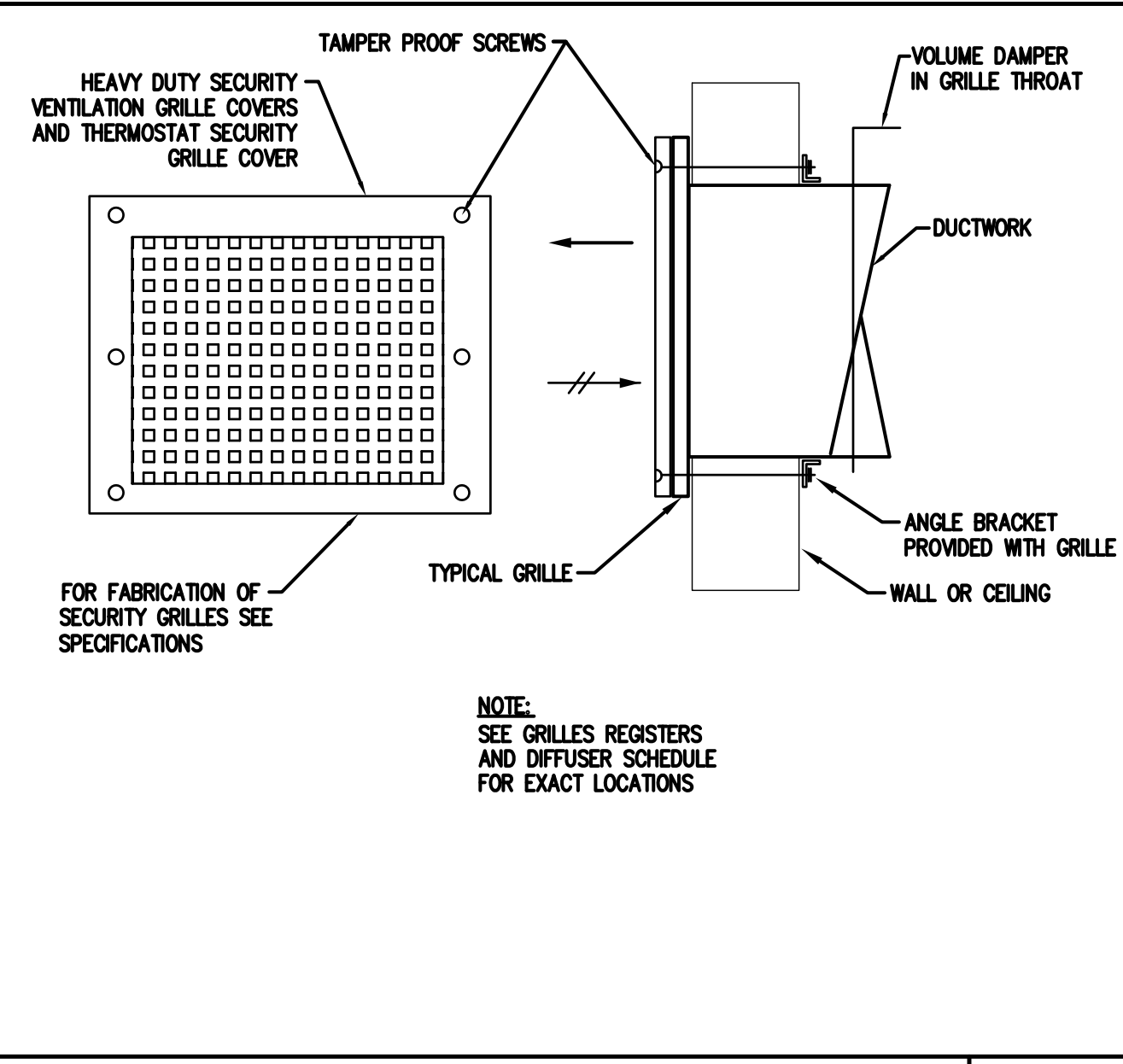
MorrisSwitzer Project Number 28034  
Date 11/19/09  
Scale N.T.S.  
Sheet Title and Number

**SIXTH FLOOR PAVILIONS**  
"A" & "C" MECHANICAL  
DETAILS III  
**3M4.2**



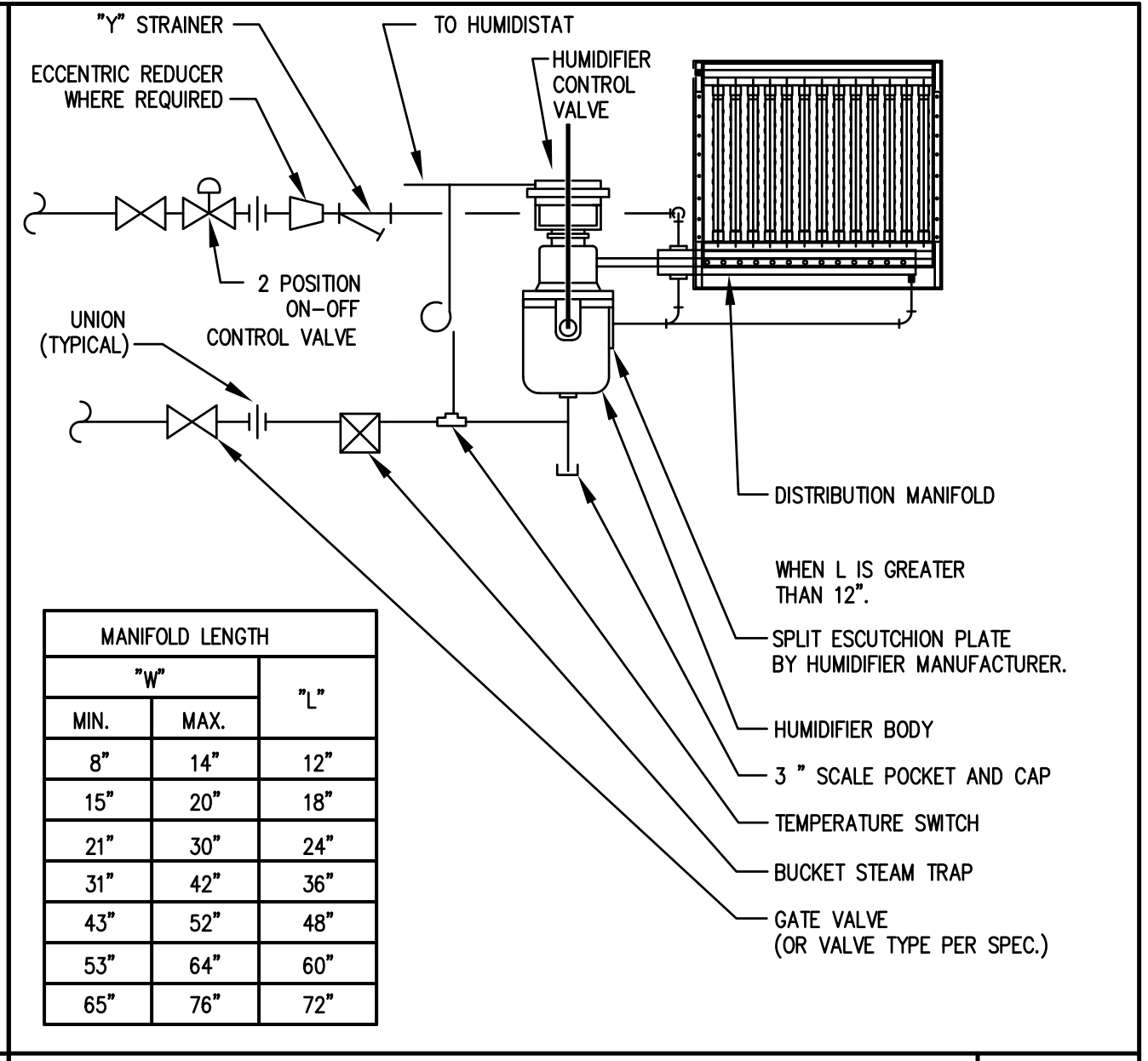
STEAM PRESSURE REDUCING STATION DETAIL

NO SCALE



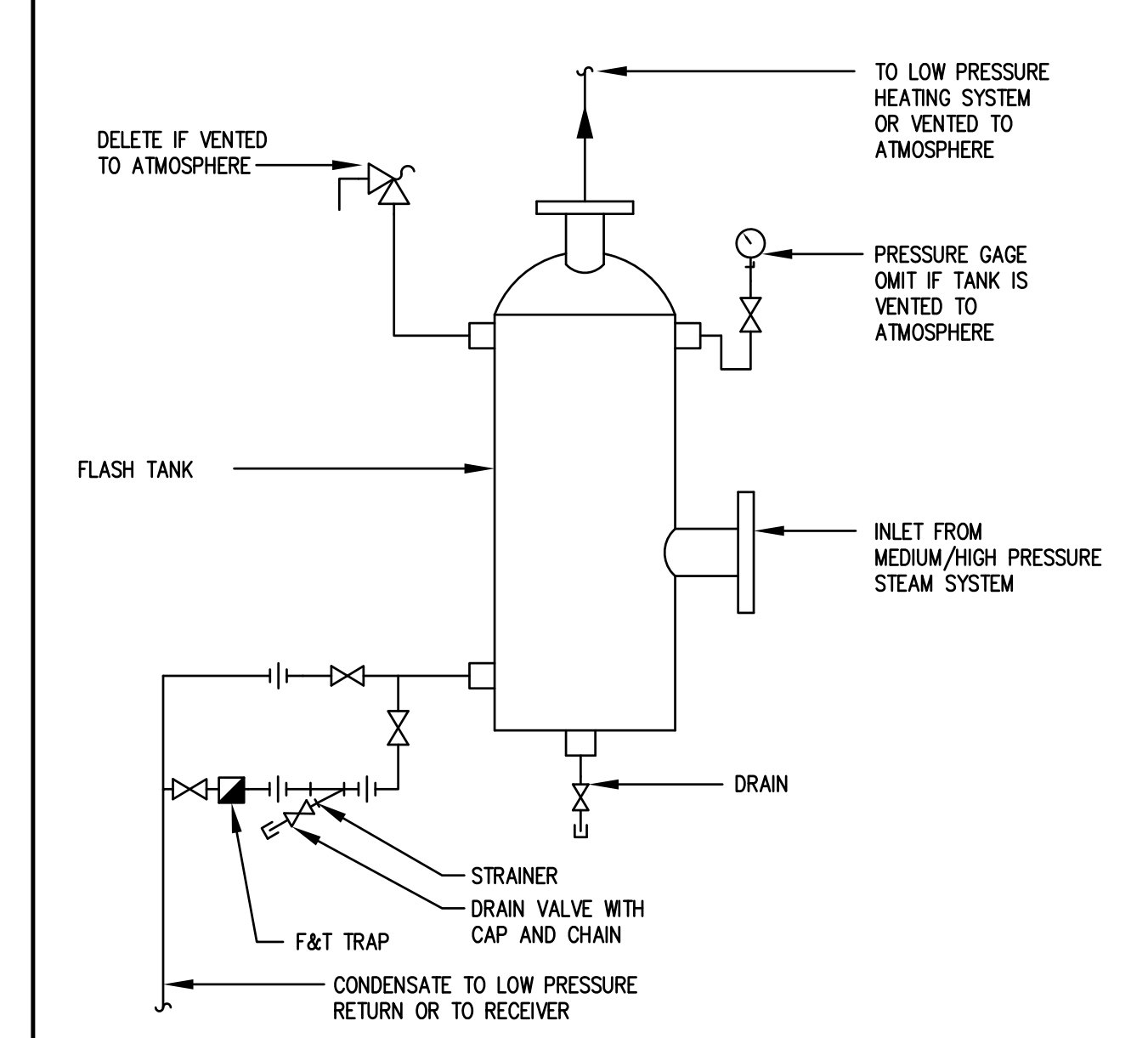
HIGH SECURITY GRILLE AND THERMOSTAT COVER DETAIL

NO SCALE



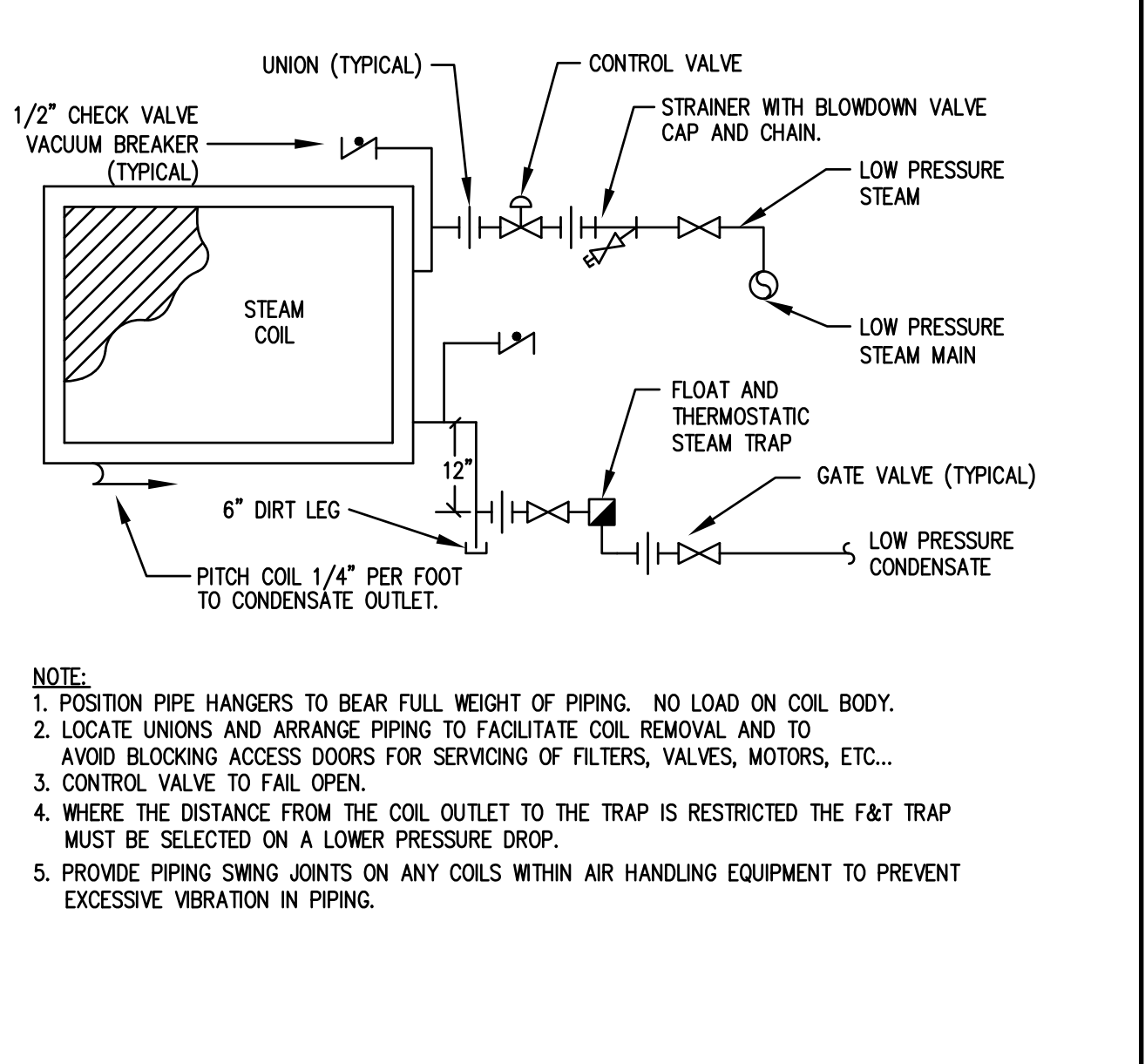
HUMIDIFIER DETAIL

NO SCALE



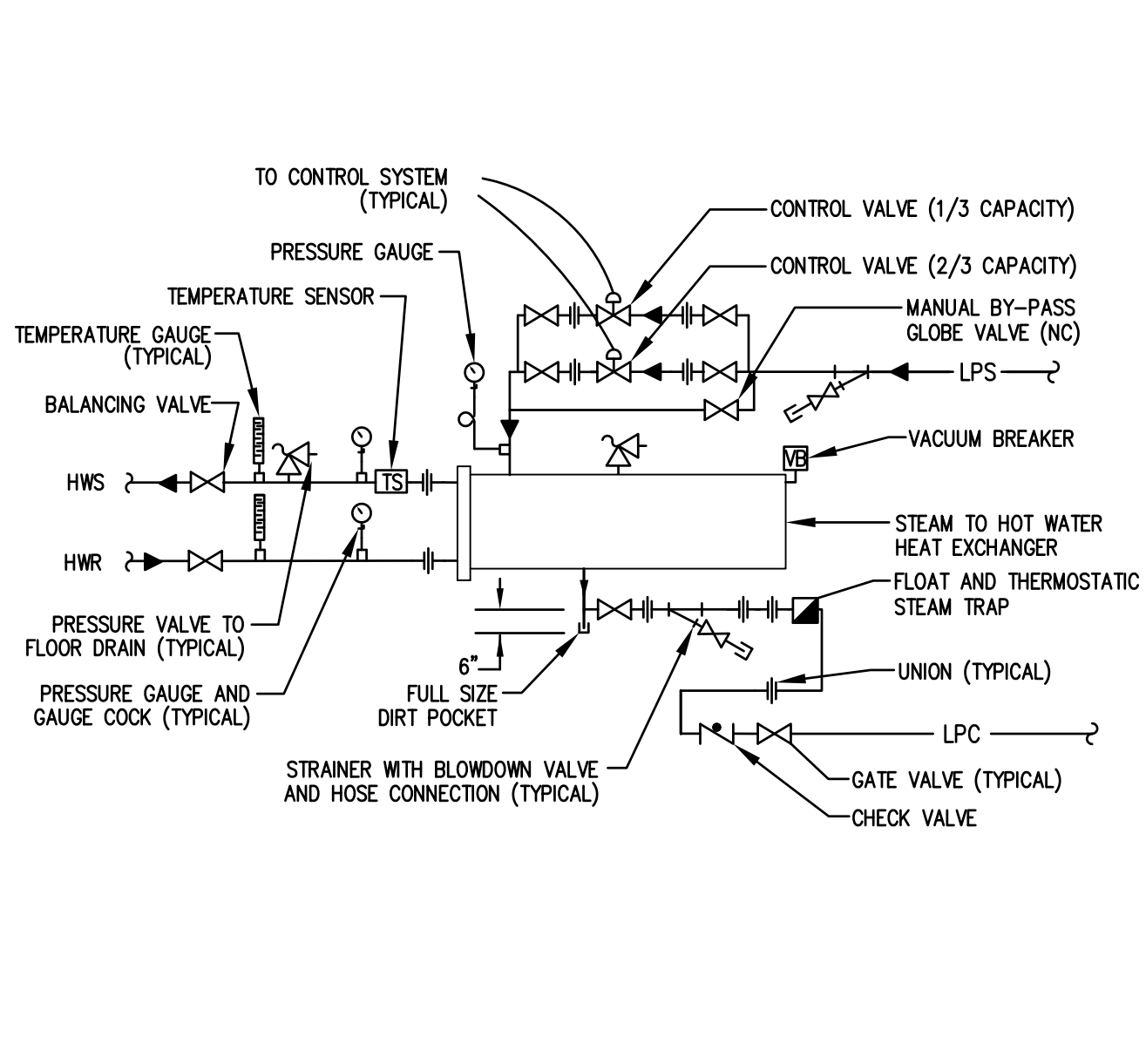
VERTICAL FLASH TANK PIPING SCHEMATIC

NO SCALE



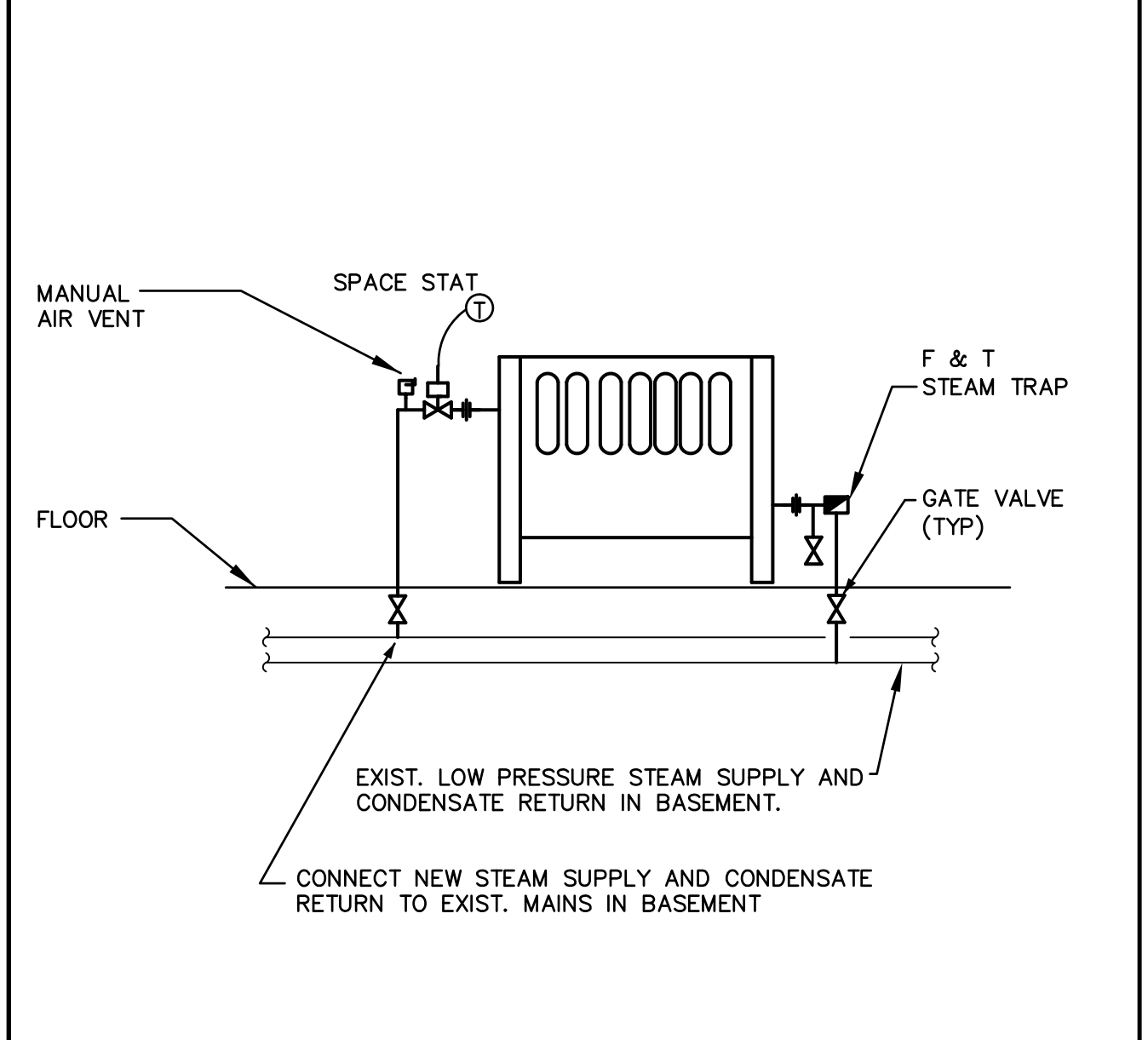
TERMINAL STEAM COIL PIPING SCHEMATIC

NO SCALE



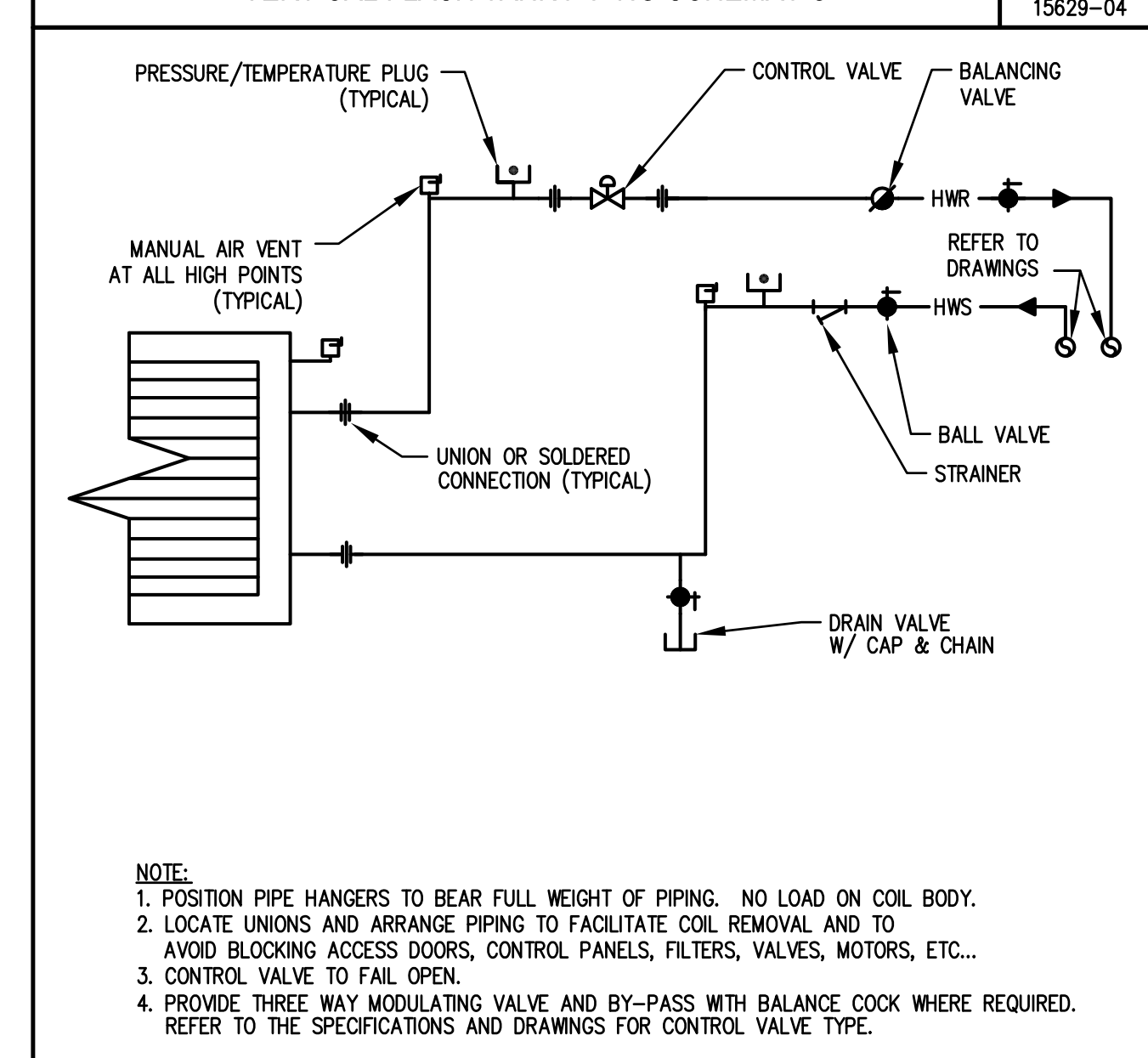
STEAM TO HOT WATER HEAT EXCHANGER PIPING

NO SCALE



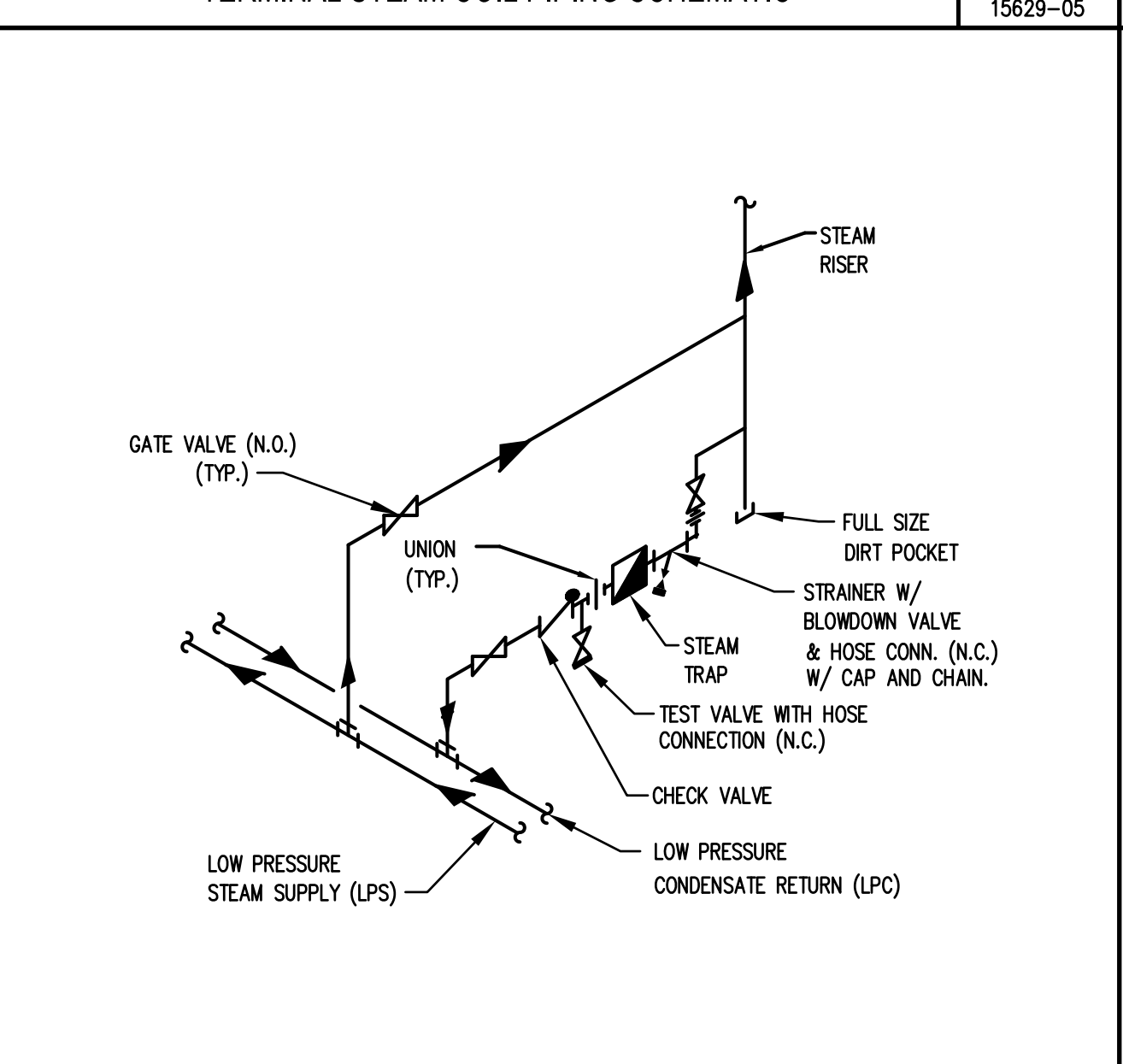
STEAM RADIATOR DETAIL

NO SCALE



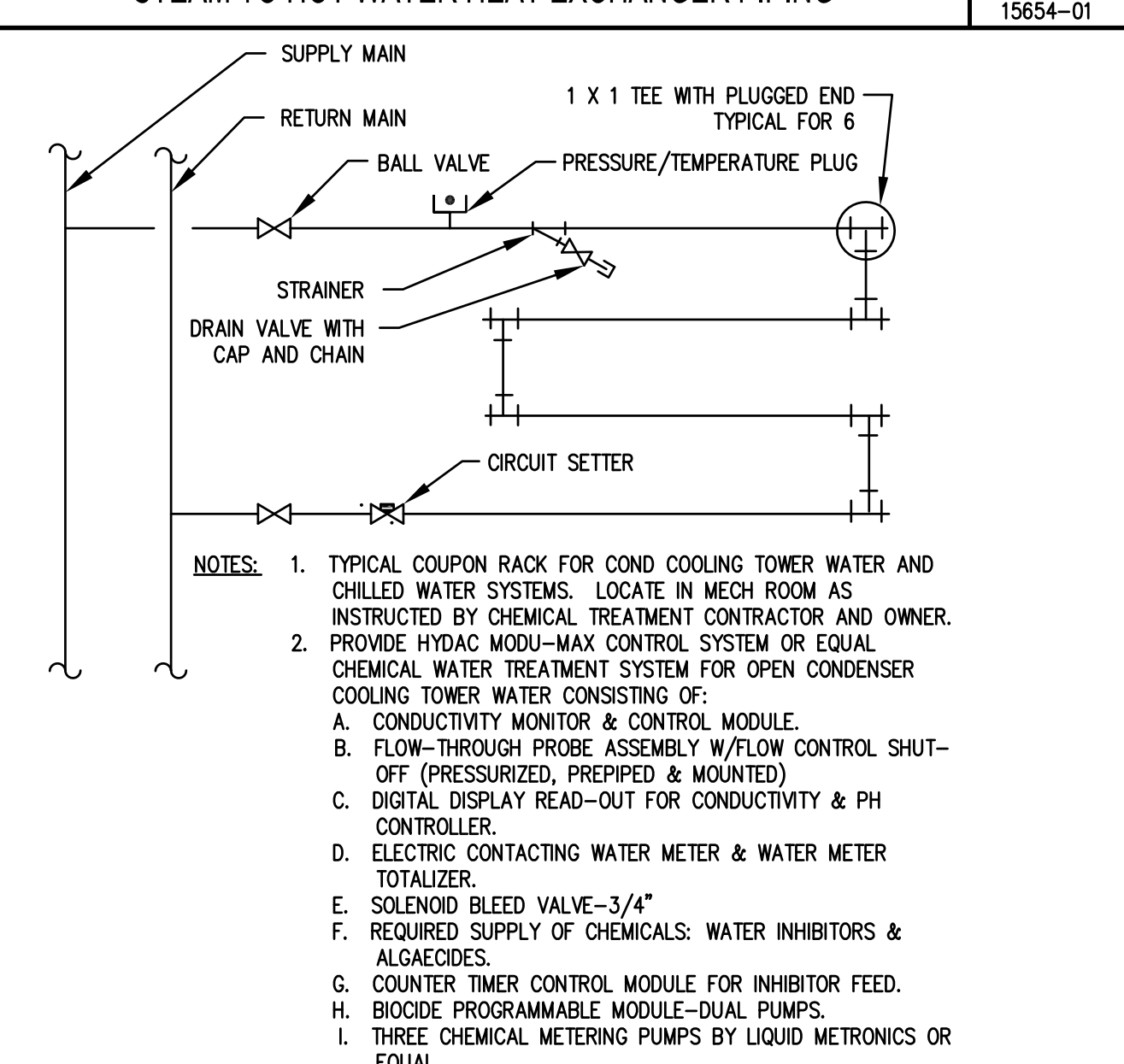
TERMINAL HOT WATER COIL PIPING SCHEMATIC

NO SCALE



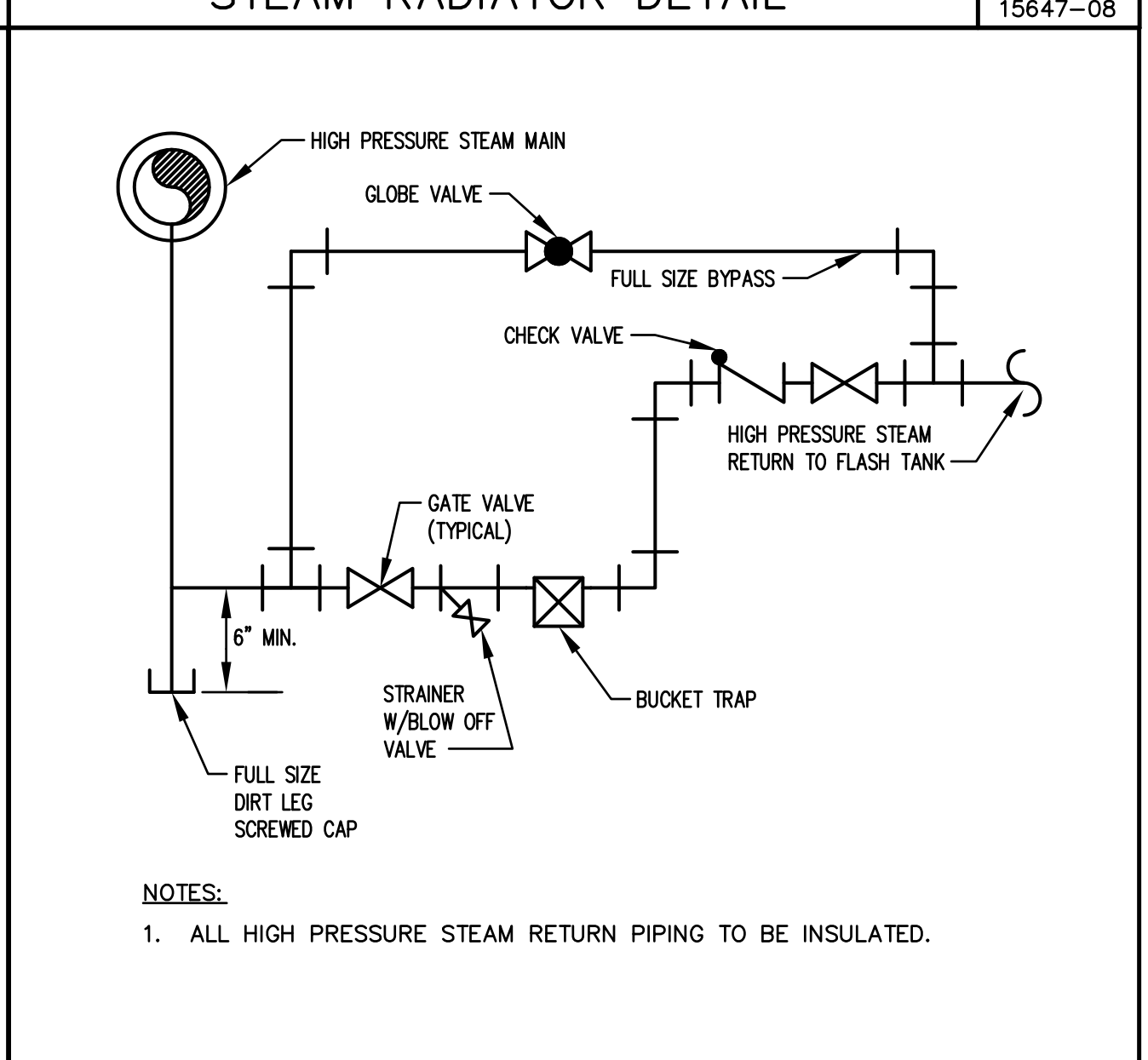
STEAM RISER CONDENSATE TRAP PIPING SCHEMATIC

NO SCALE



CHEMICAL TREATMENT & COUPON RACK DETAIL

NO SCALE



HIGH PRESSURE STEAM DRIP AND TRAP

NO SCALE

15629-13

