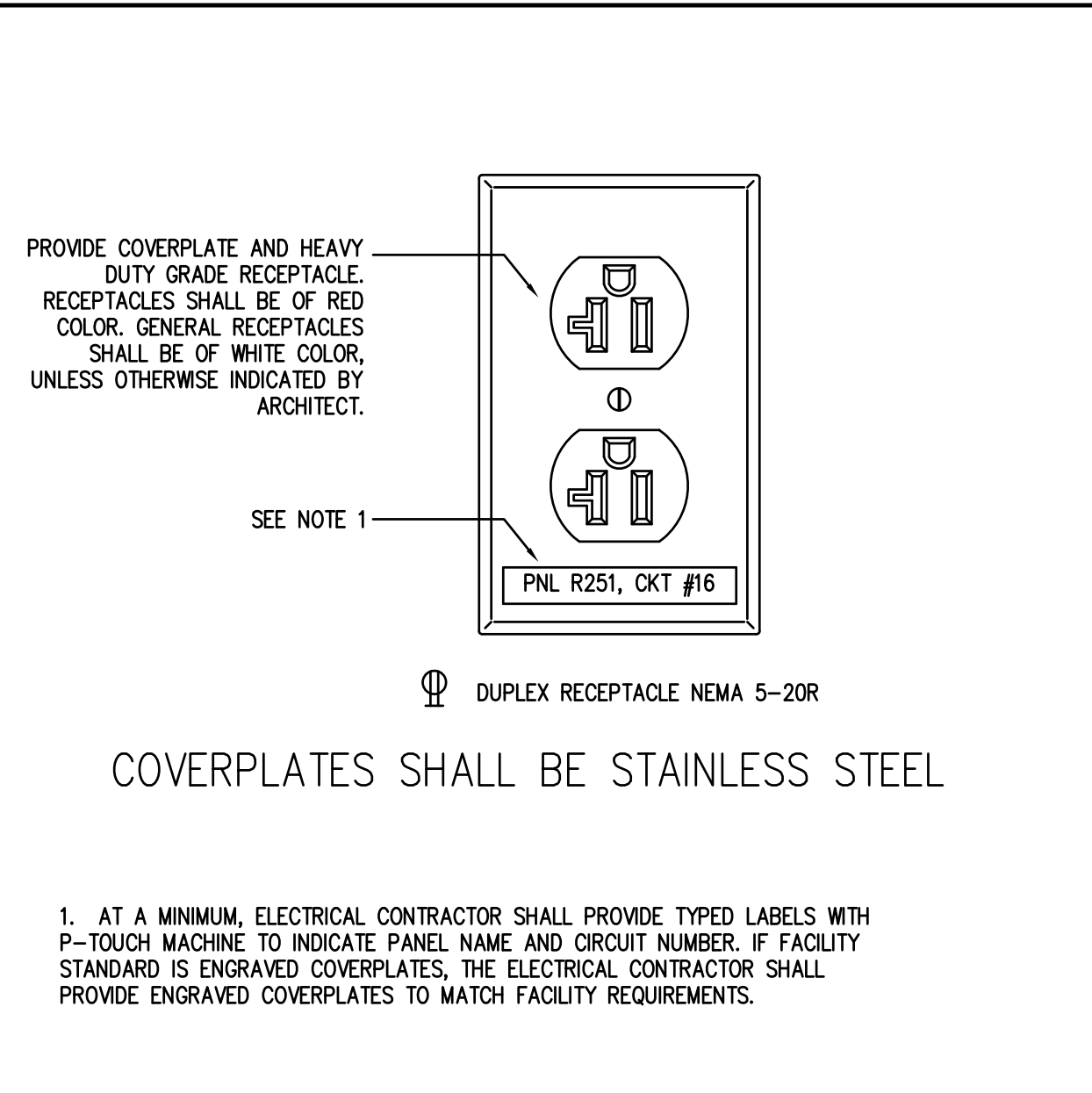
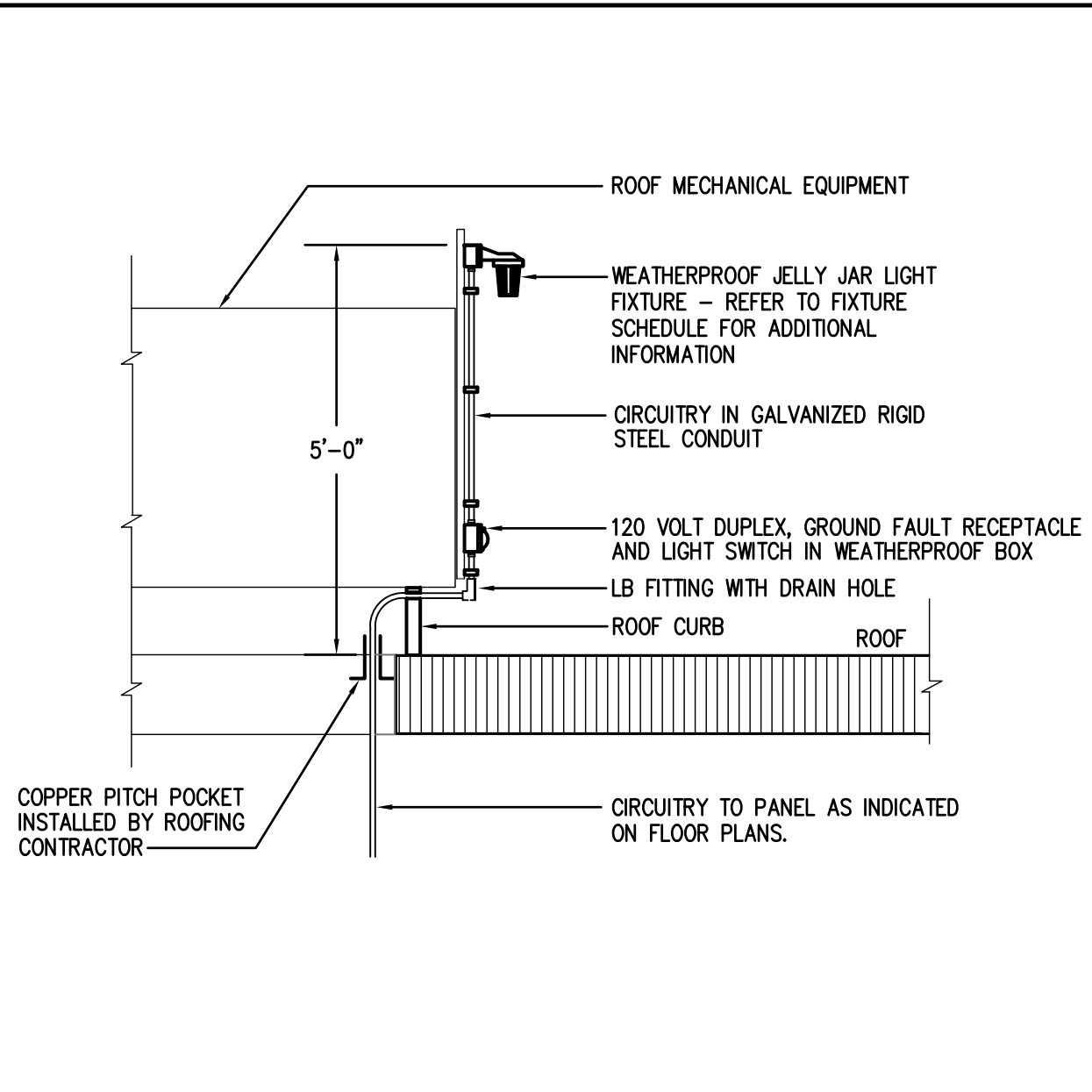


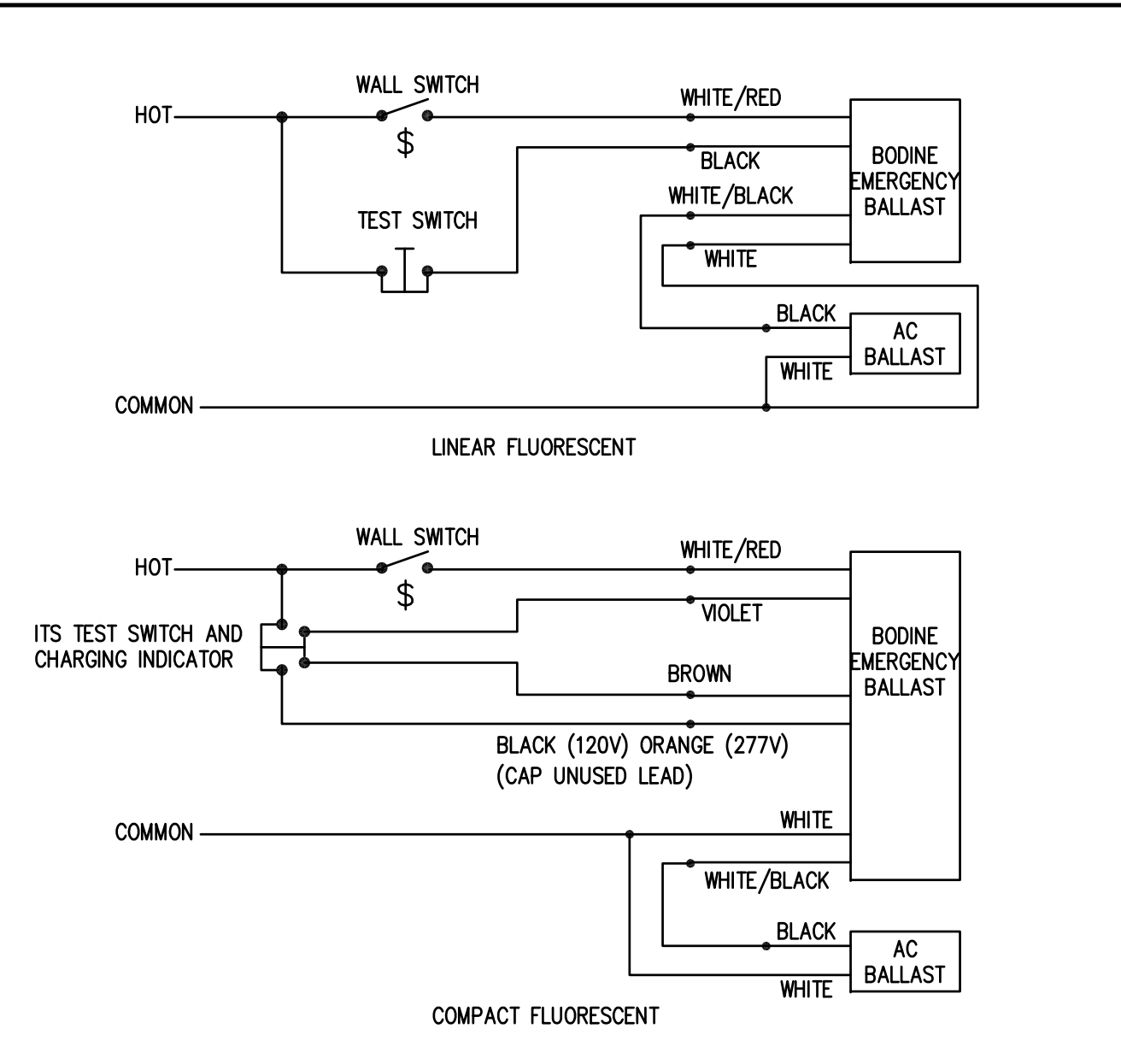
NEC UTILITY SERVICE ENTRANCE GROUNDING DETAIL ED-1  
NONE



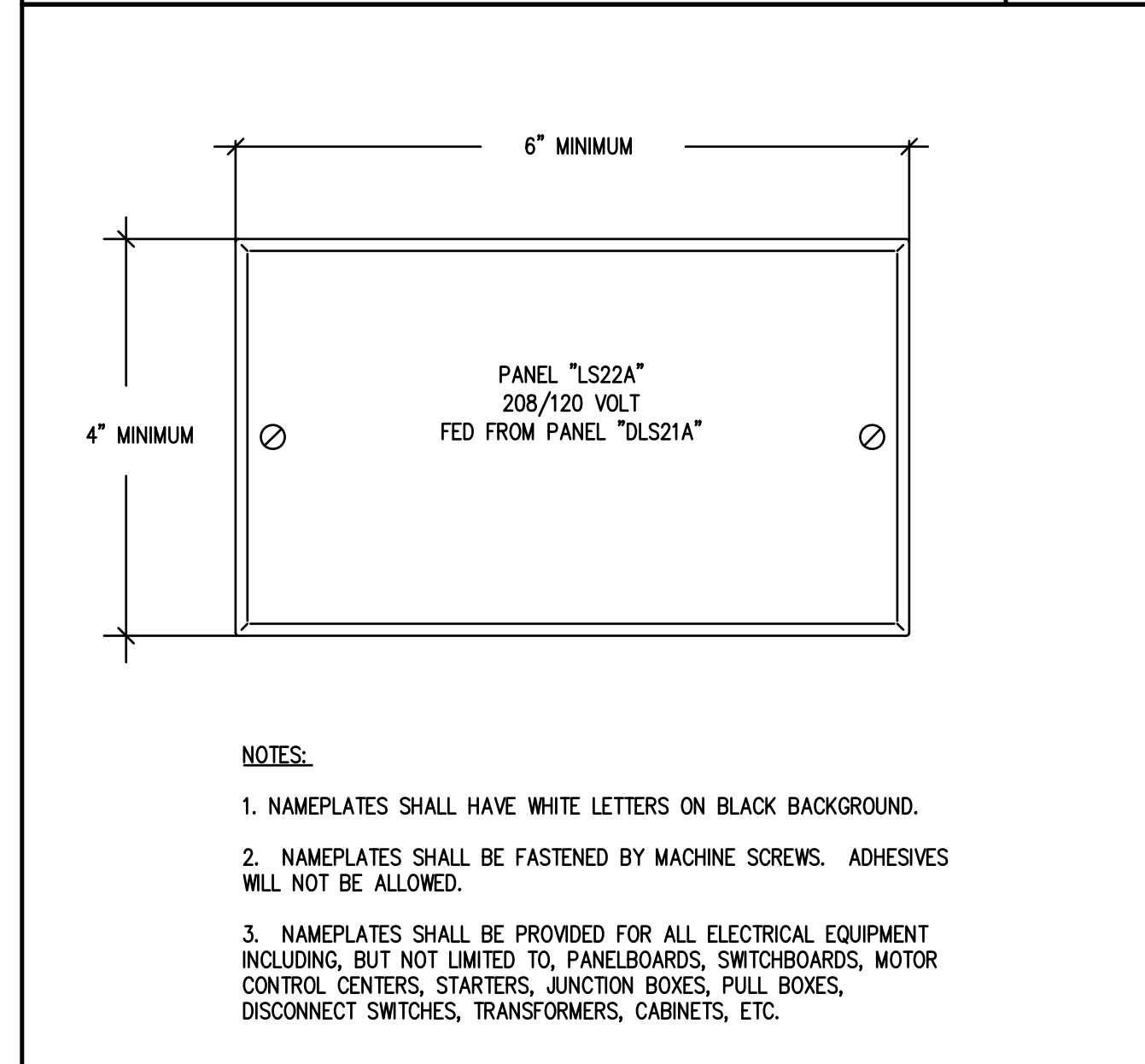
TYPICAL RECEPTACLE LABELING DETAIL ED-4  
NONE



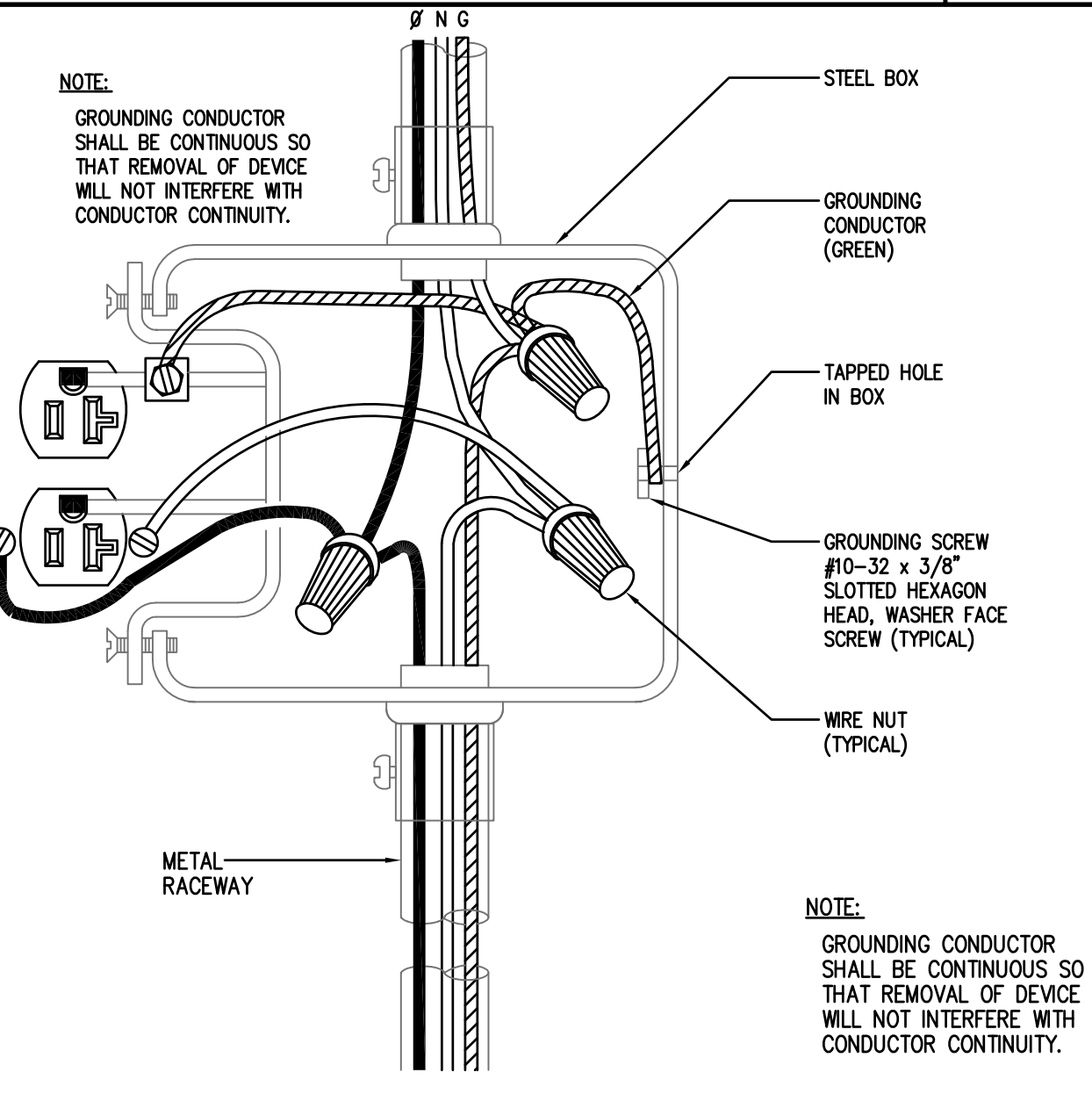
LIGHTING AND RECEPTACLE MOUNTING AT ROOFTOP EQUIPMENT ED-7  
NONE



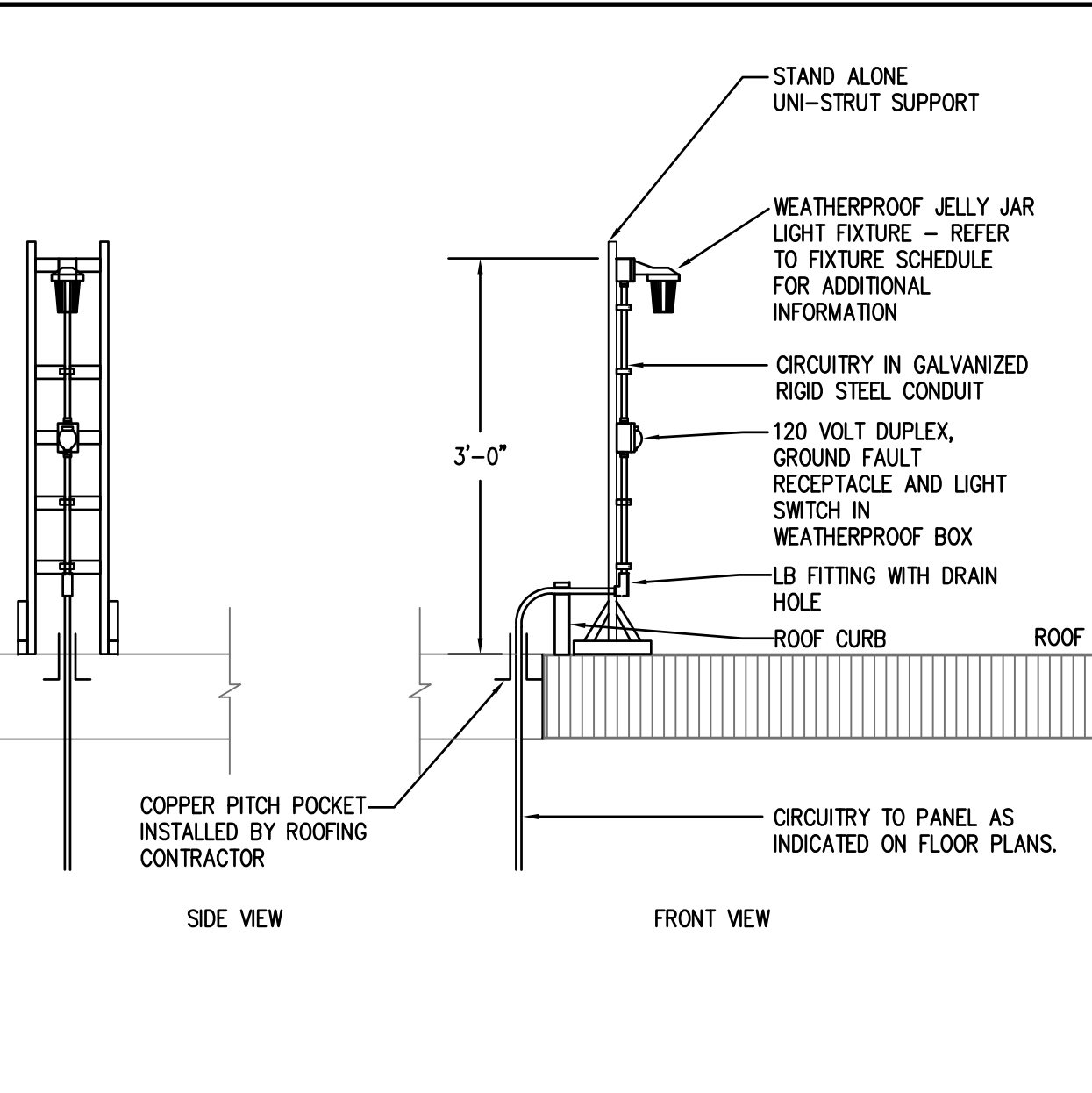
EMERGENCY BALLAST WIRING DIAGRAMS ED-10  
NONE



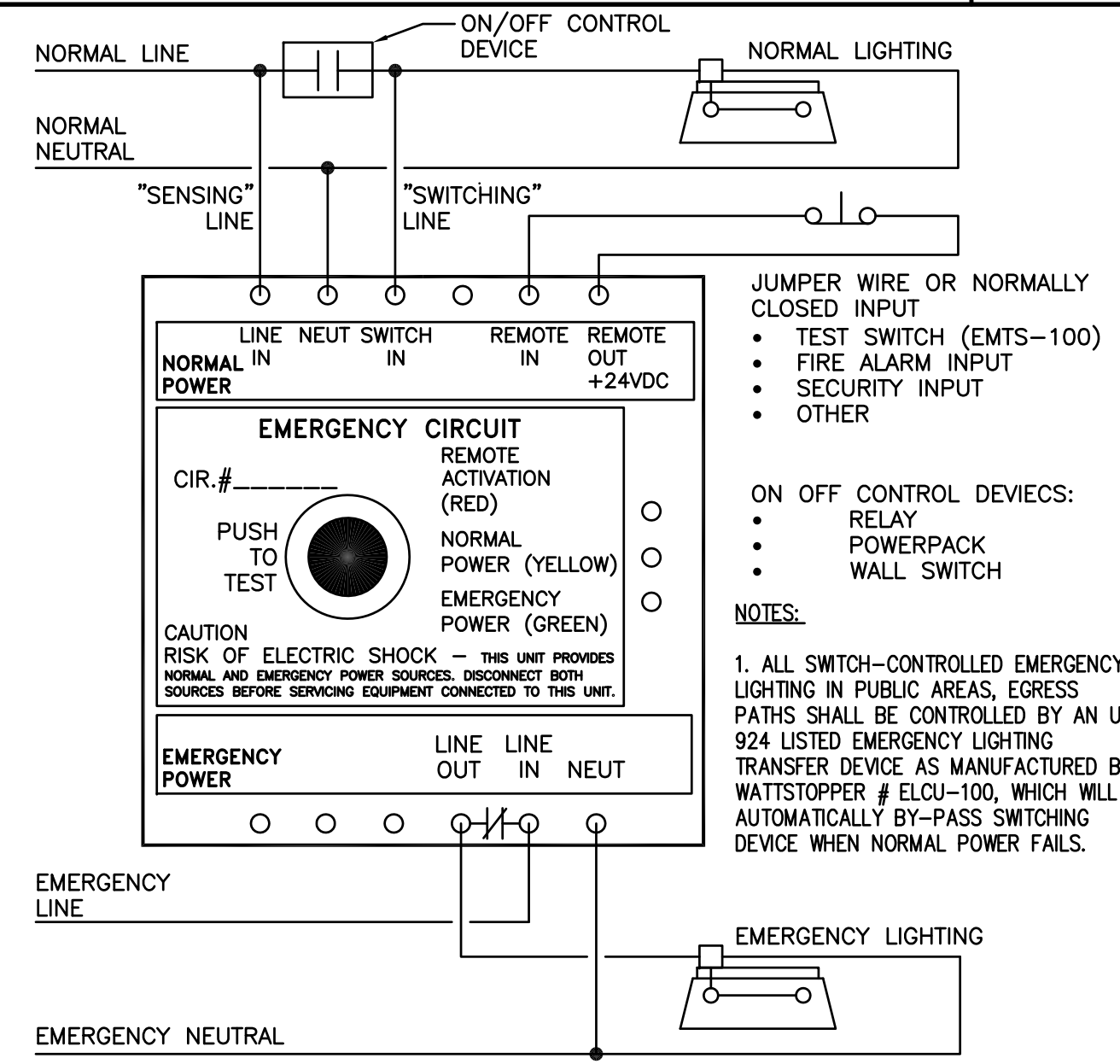
TYPICAL NAMEPLATE DETAIL ED-2  
NONE



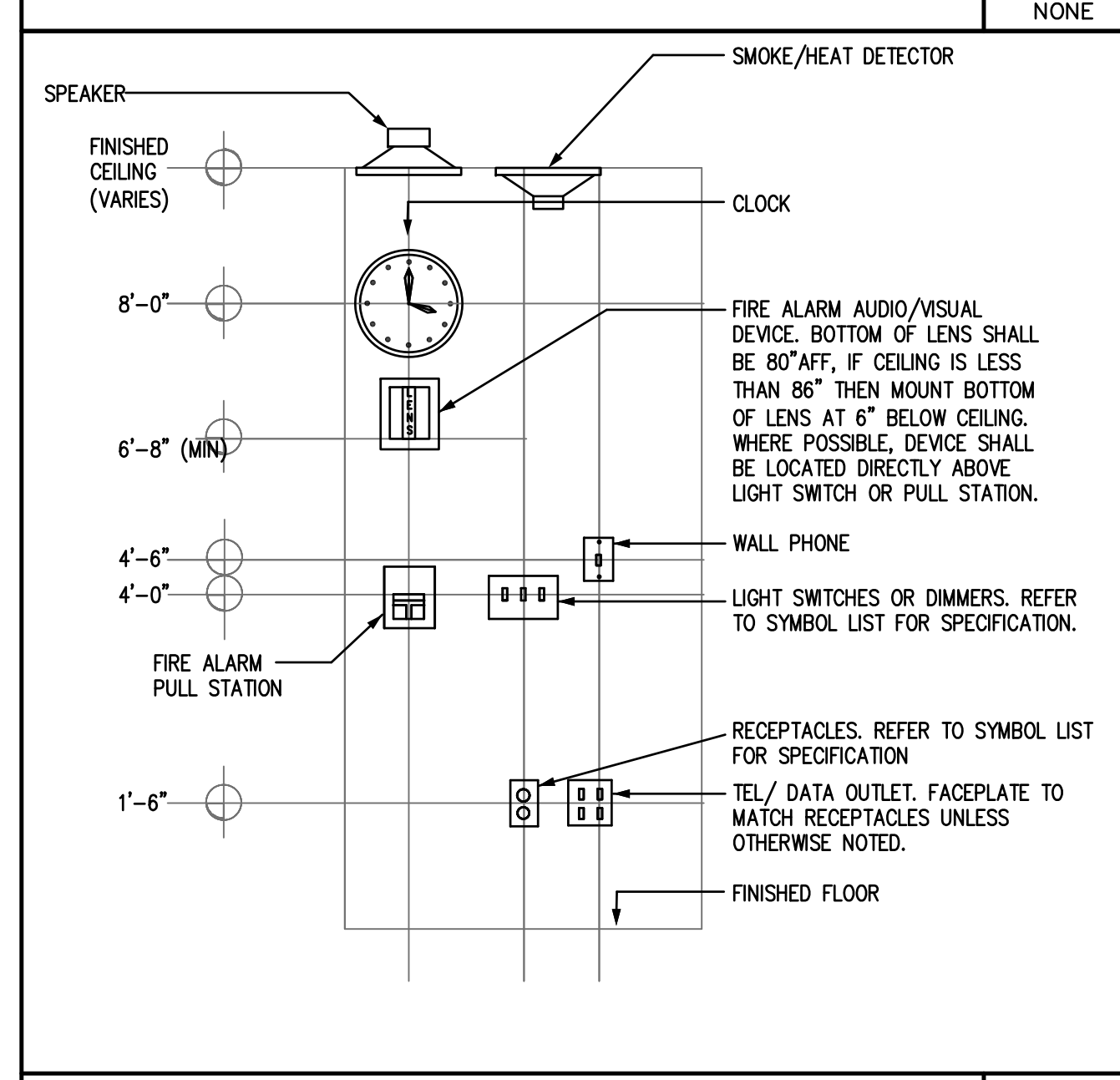
TYPICAL RECEPTACLE WIRING DETAIL ED-5  
NONE



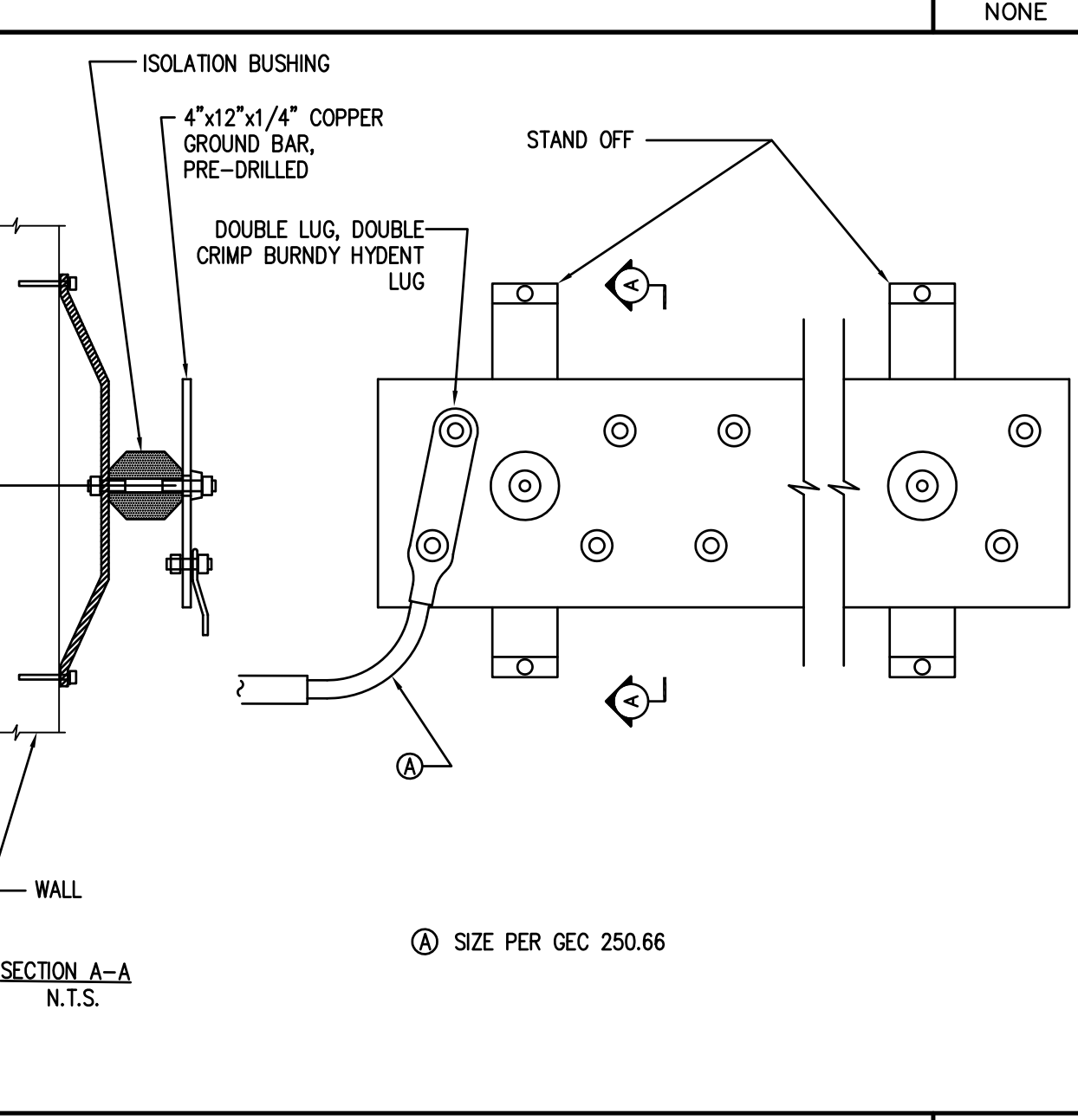
TYPICAL ROOFTOP EQUIPMENT RECEPTACLE AND LIGHTING DETAIL ED-8  
NONE



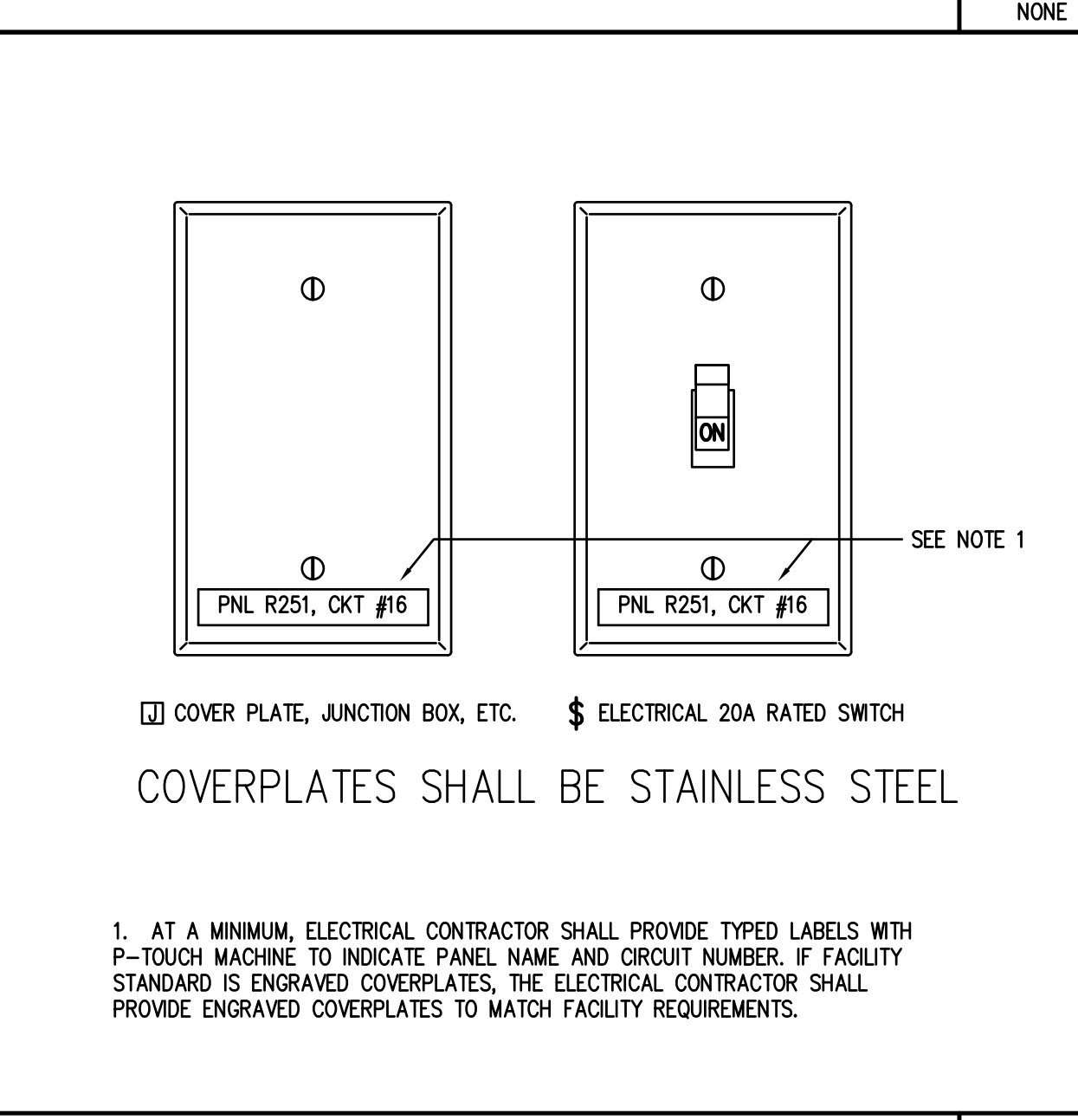
EMERGENCY LIGHTING TRANSFER DEVICE ED-11  
NONE



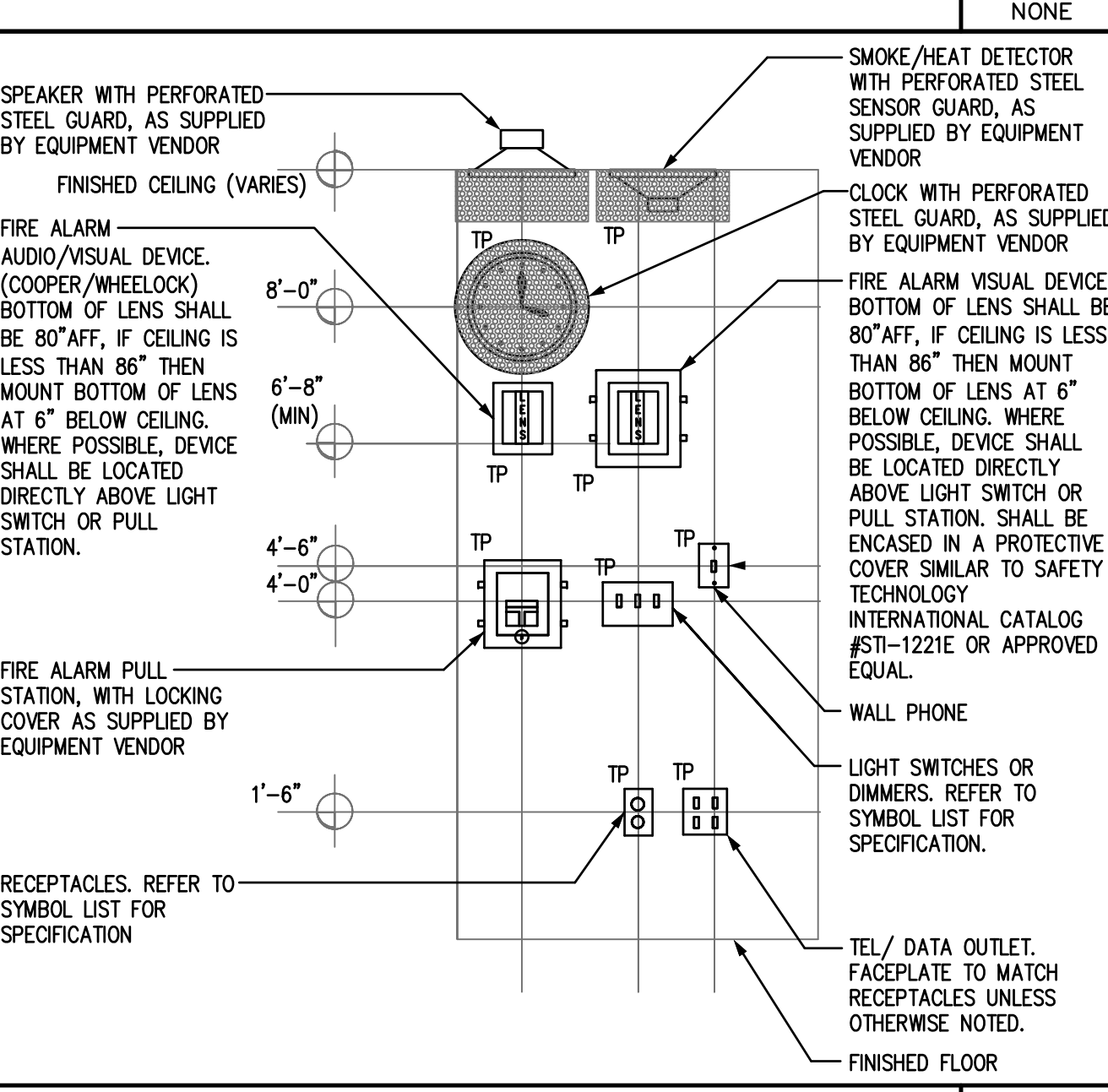
TYPICAL WALL DEVICE MOUNTING DETAIL ED-3  
NONE



TYPICAL GROUND BAR DETAIL ED-6  
NONE



TYPICAL COVERPLATE AND SWITCH LABEL DETAIL ED-9  
NONE



TYPICAL TAMPER-PROOF WALL DEVICE MOUNTING DETAIL ED-12  
NONE

**MorrisSwitzer**  
Environments for Health

Williston, Vermont  
Boston, Massachusetts  
Portland, Maine

One Dana Street  
Portland, ME 04101  
t 207.773.8841  
f 207.773.8840

© 2009 MorrisSwitzer morriswitzer.com

Seals

**B** structural engineers, **R** **INC.**

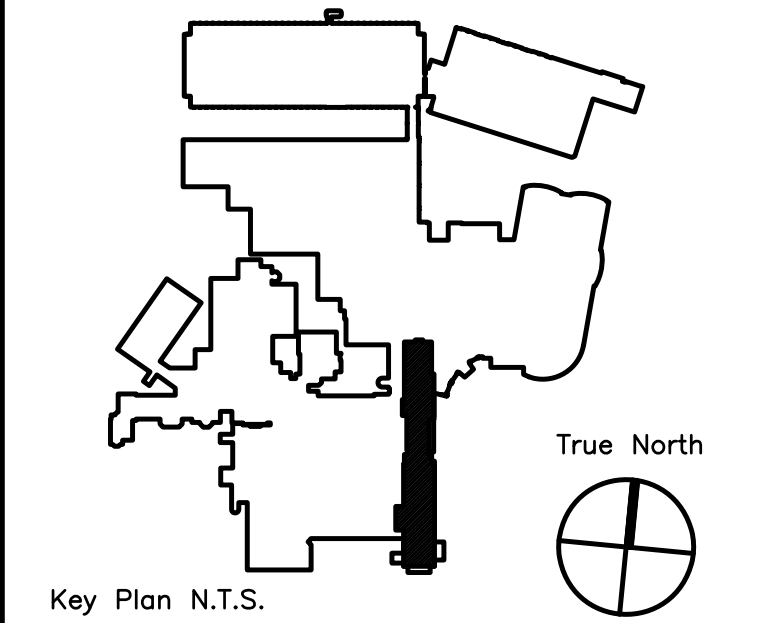
75 York Street  
Portland, ME 04101-4701  
info@beckerstructural.com

Tel 207-879-1838  
Fax 207-879-1822  
www.beckerstructural.com

Consultant

MECHANICAL / ELECTRICAL ENGINEERS

92 Montvale Ave, Suite 4100  
Saco, ME 04158  
Tel: 781-481-0210  
Fax: 781-481-0203  
email: info@f-t.com  
www.f-t.com  
Project No.: 09018.00



ADDENDUM#1	12/4/09	1
Revision	Date	No

**Maine Medical Center**  
Portland, Maine

**MAINE MEDICAL CENTER**  
PAVILION 6 RENOVATIONS

MorrisSwitzer Project Number 28034  
Date 11/19/09  
Scale NOT TO SCALE  
Sheet Title and Number

**SIXTH FLOOR PAVILIONS**  
**"A" & "C" ELECTRICAL**  
**DETAILS**  
**3E5.0**