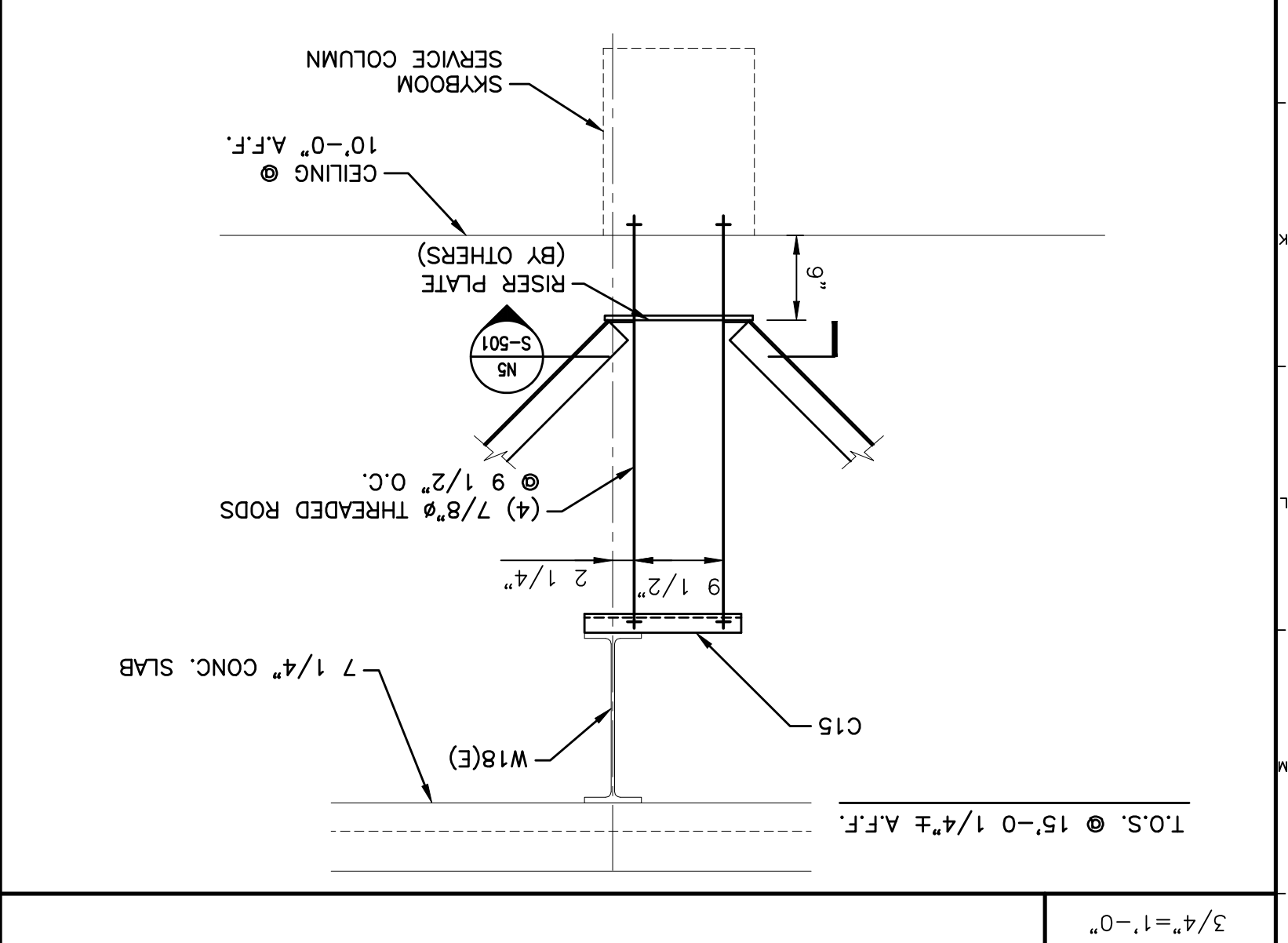
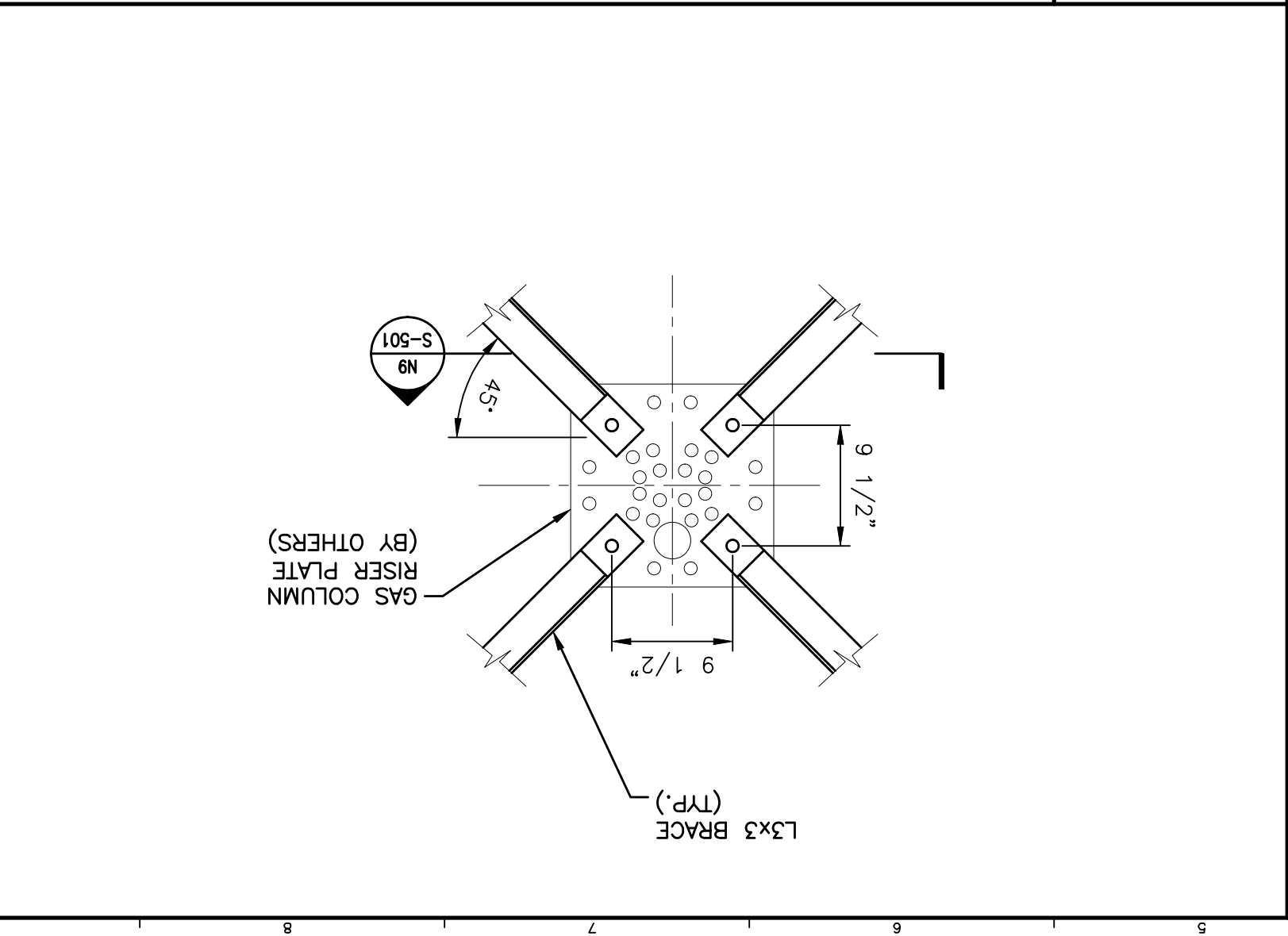


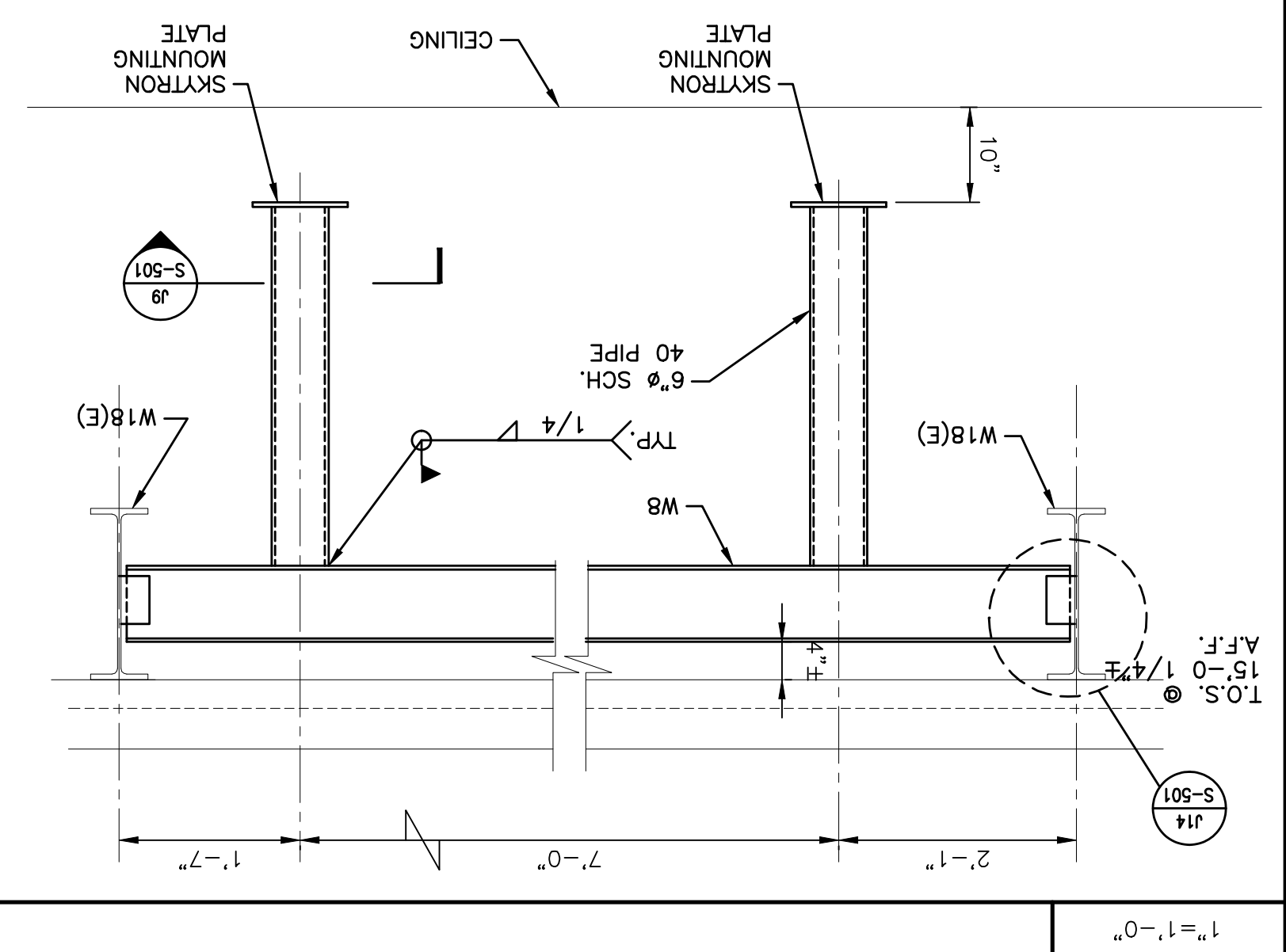
SECTION N1



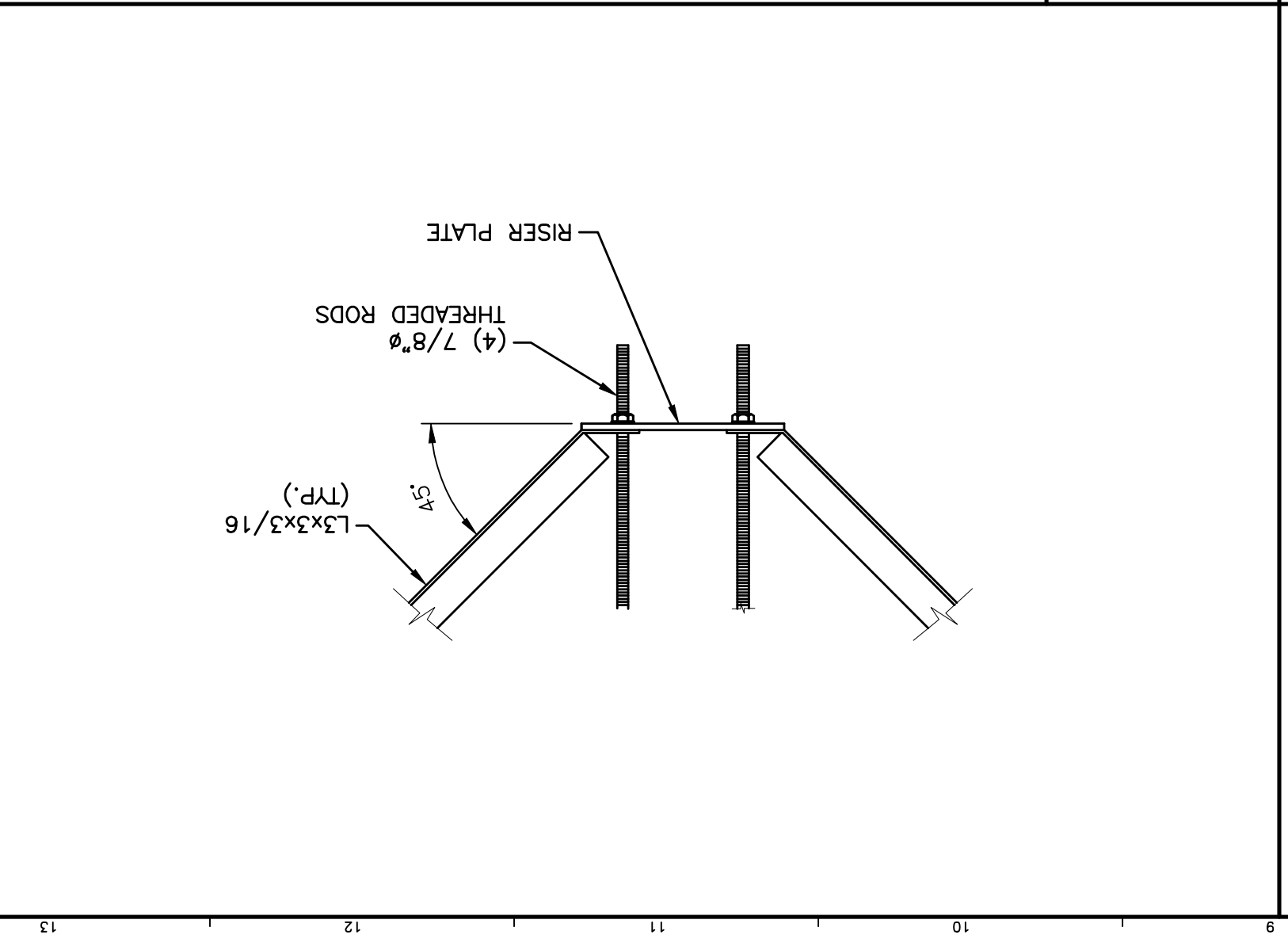
SECTION J1



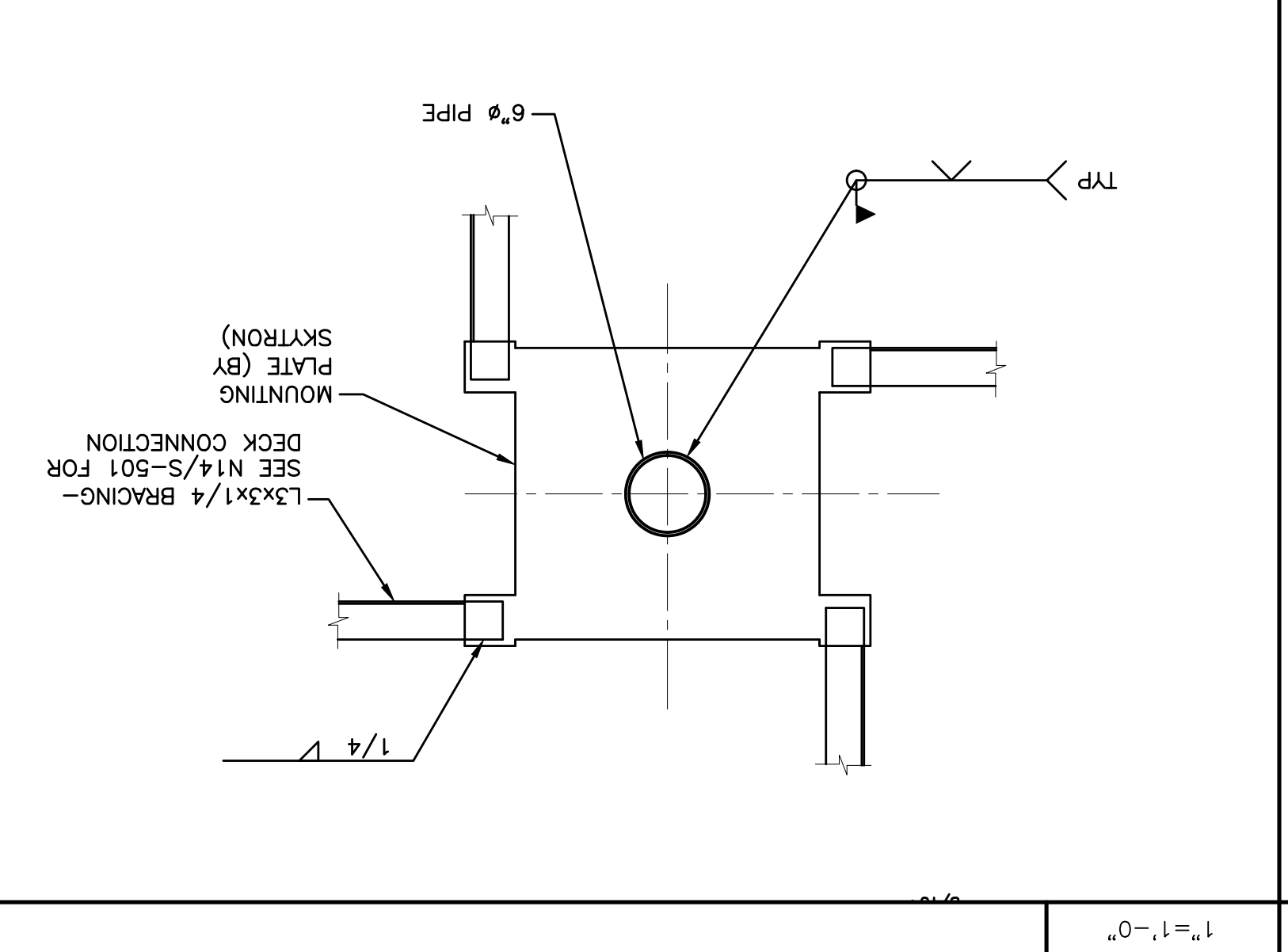
SECTION N5



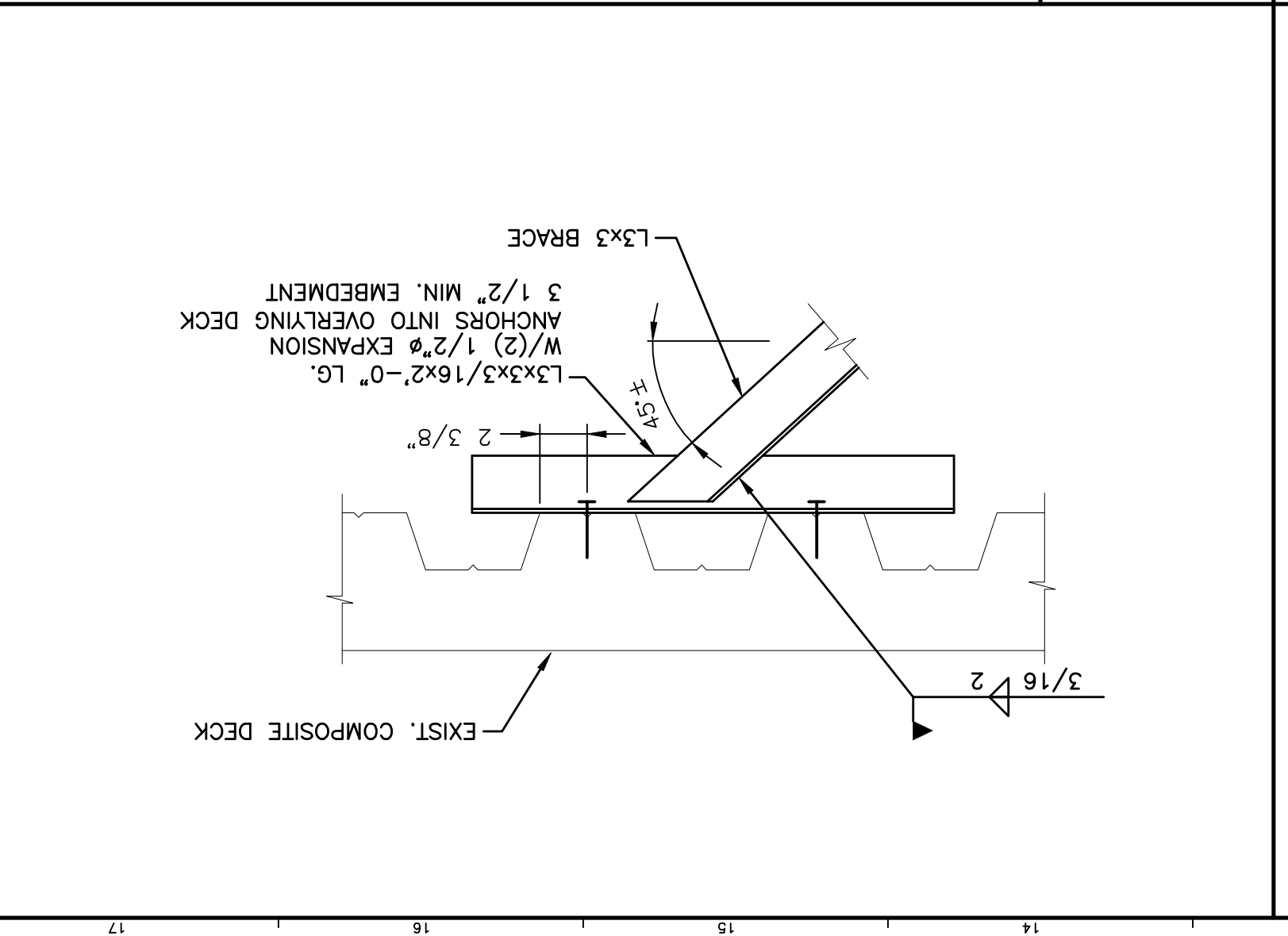
SECTION J5



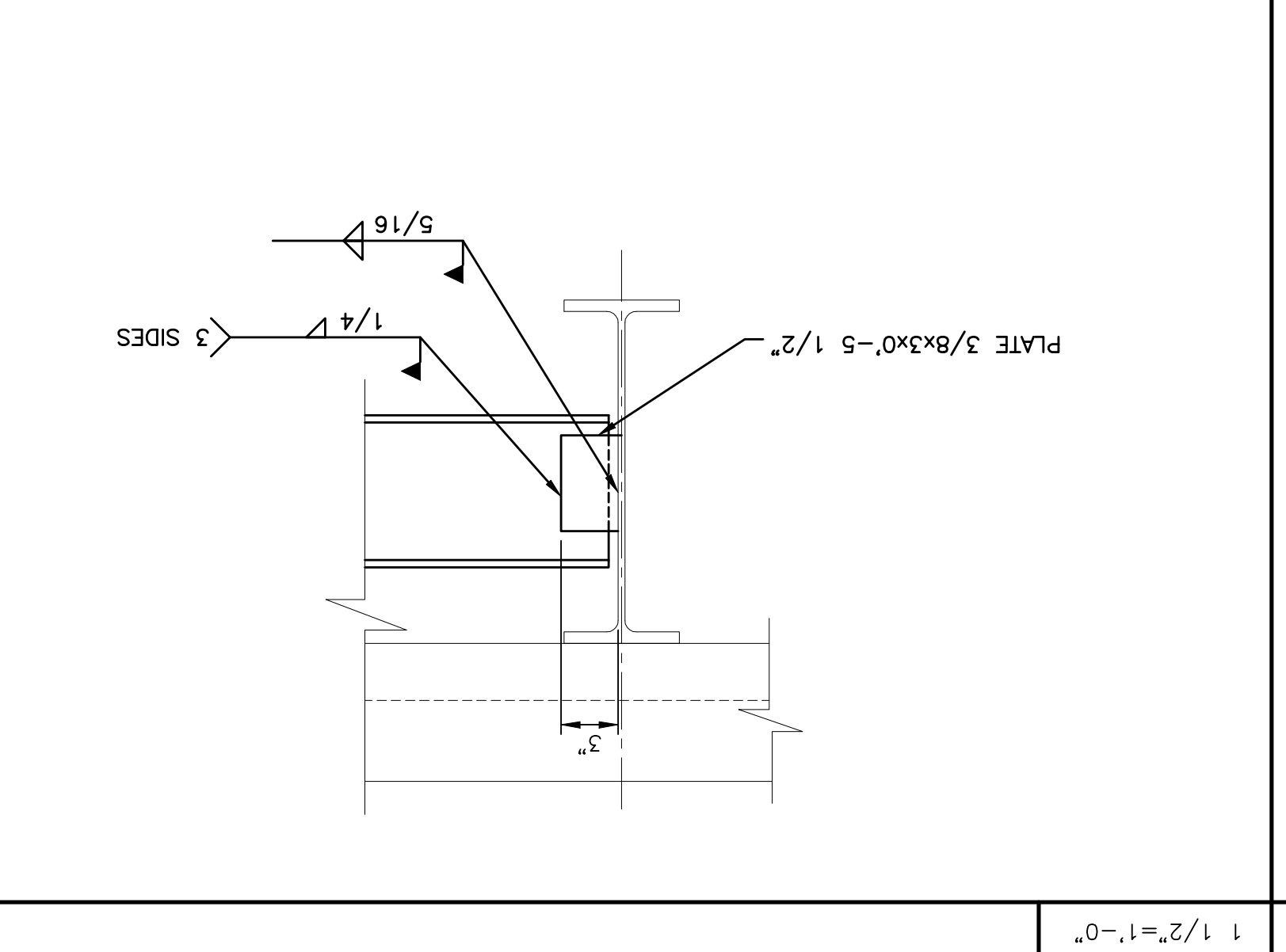
SECTION N9



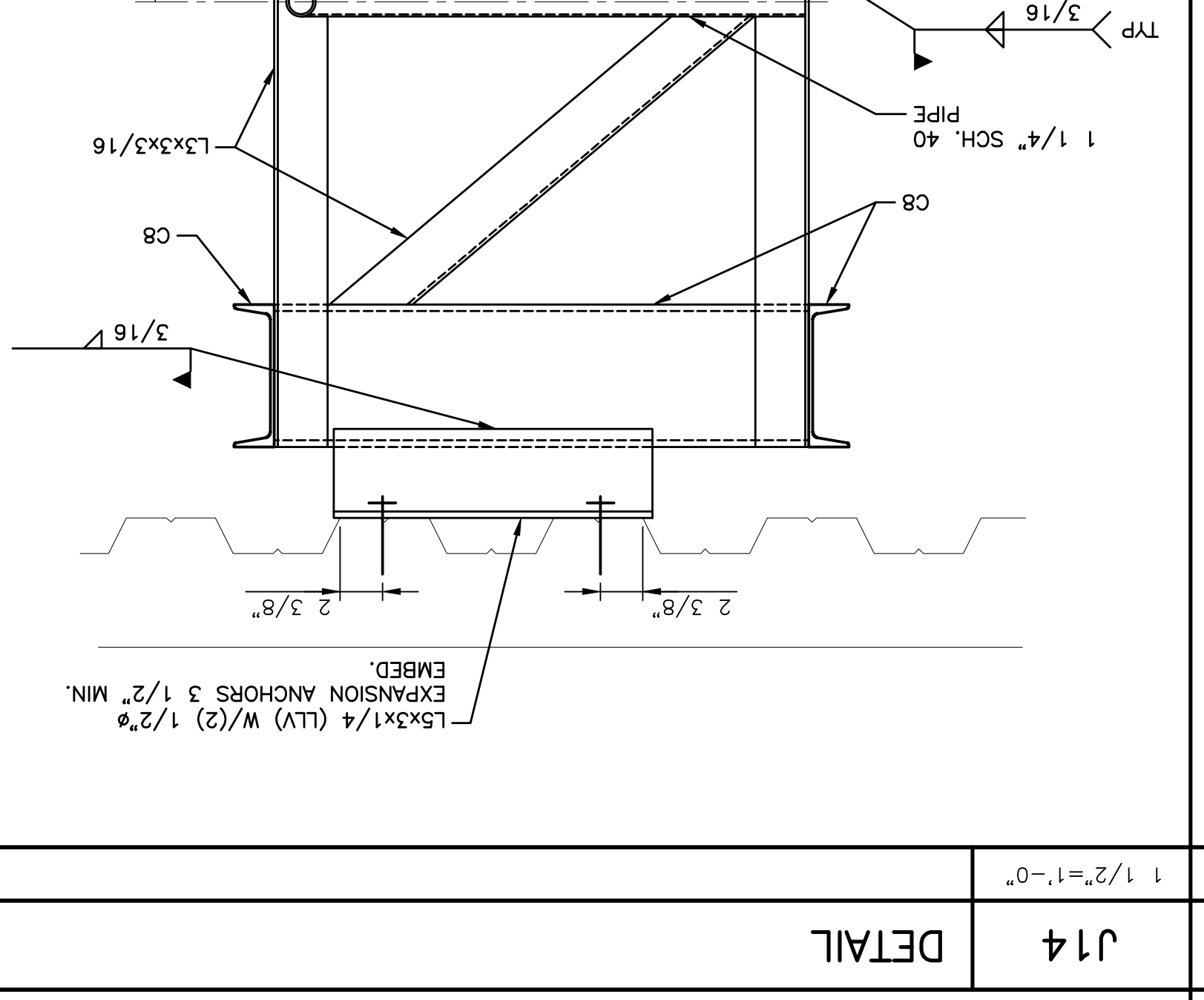
SECTION J9



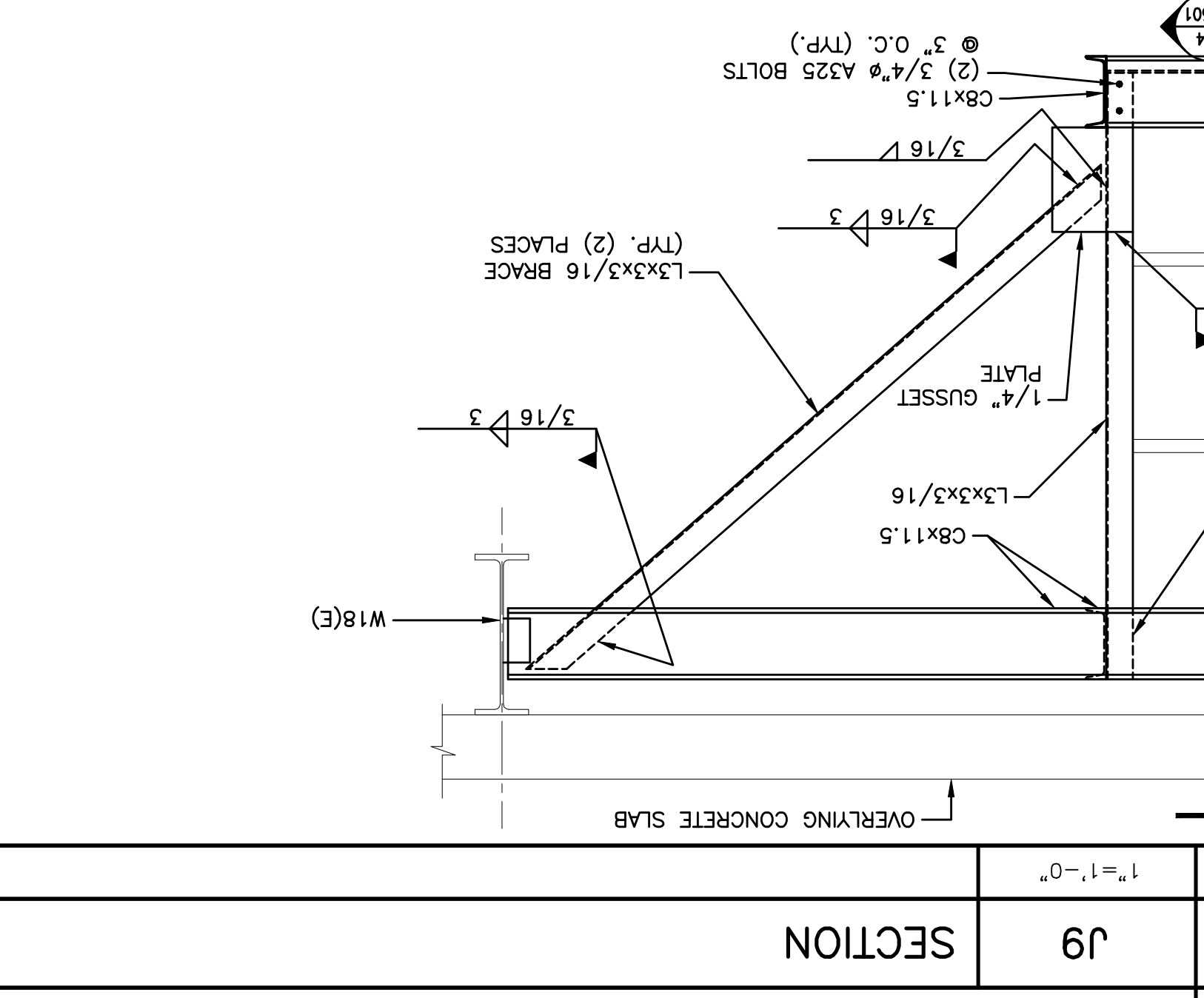
SECTION N14



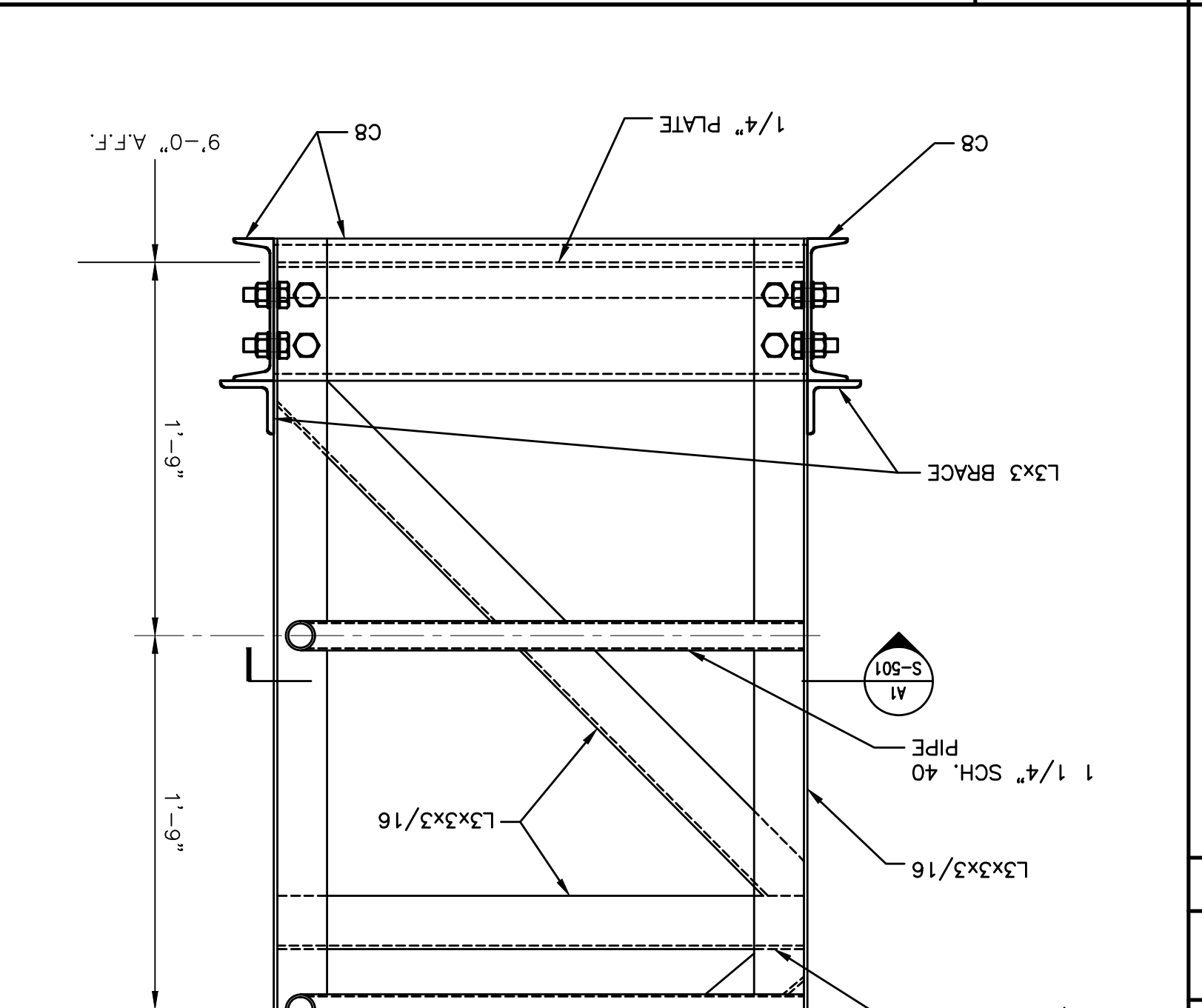
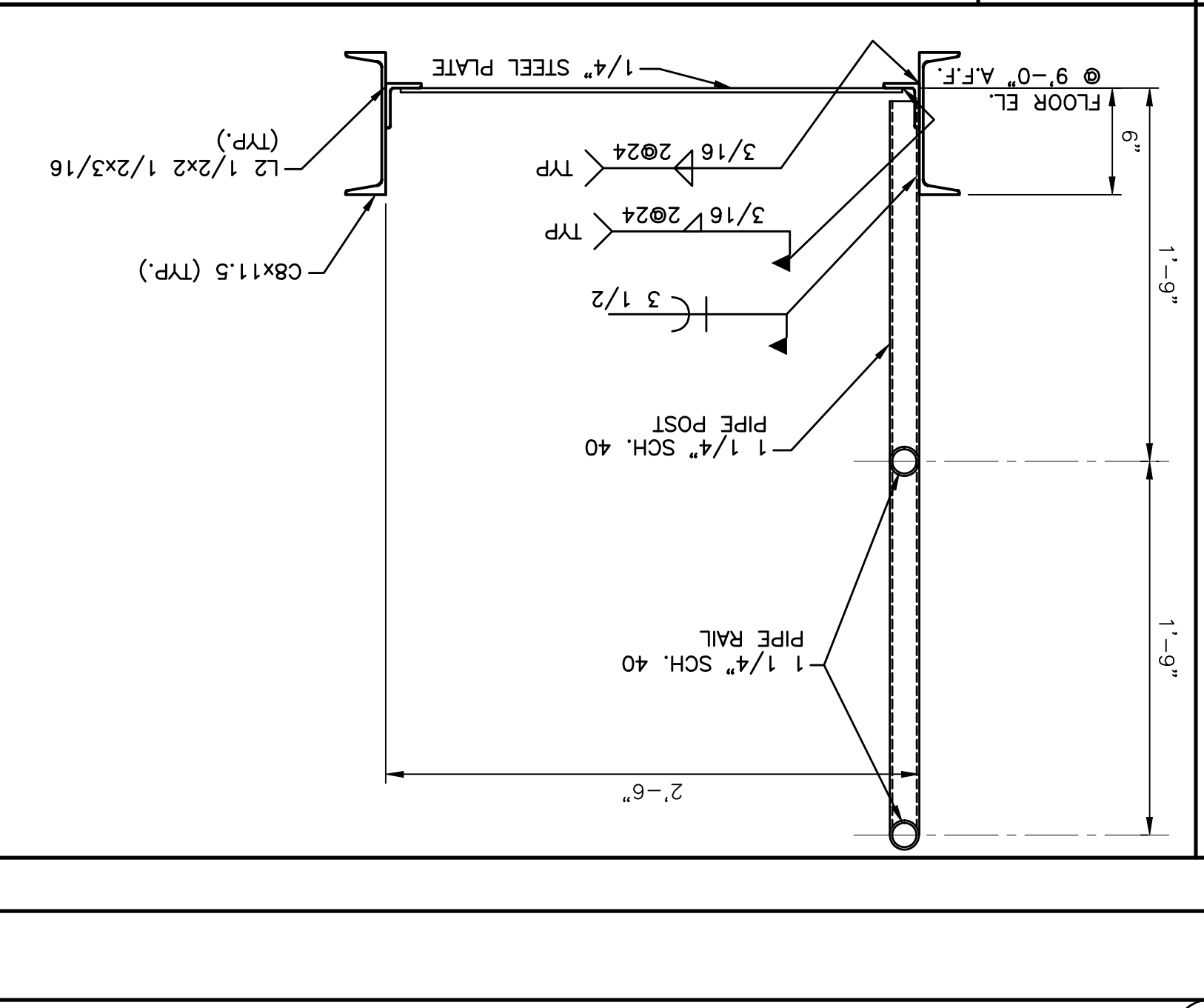
SECTION J14



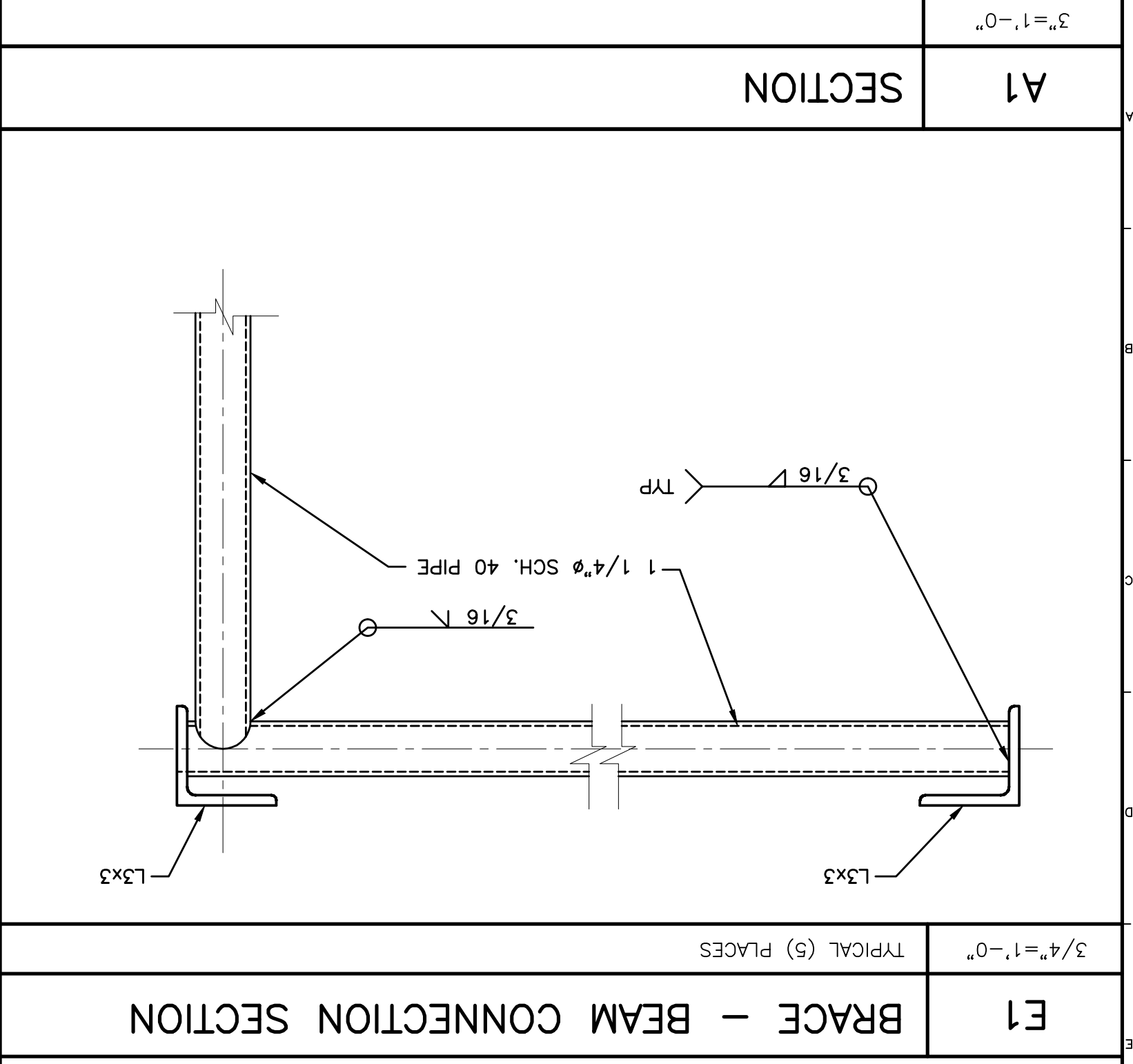
SECTION E5



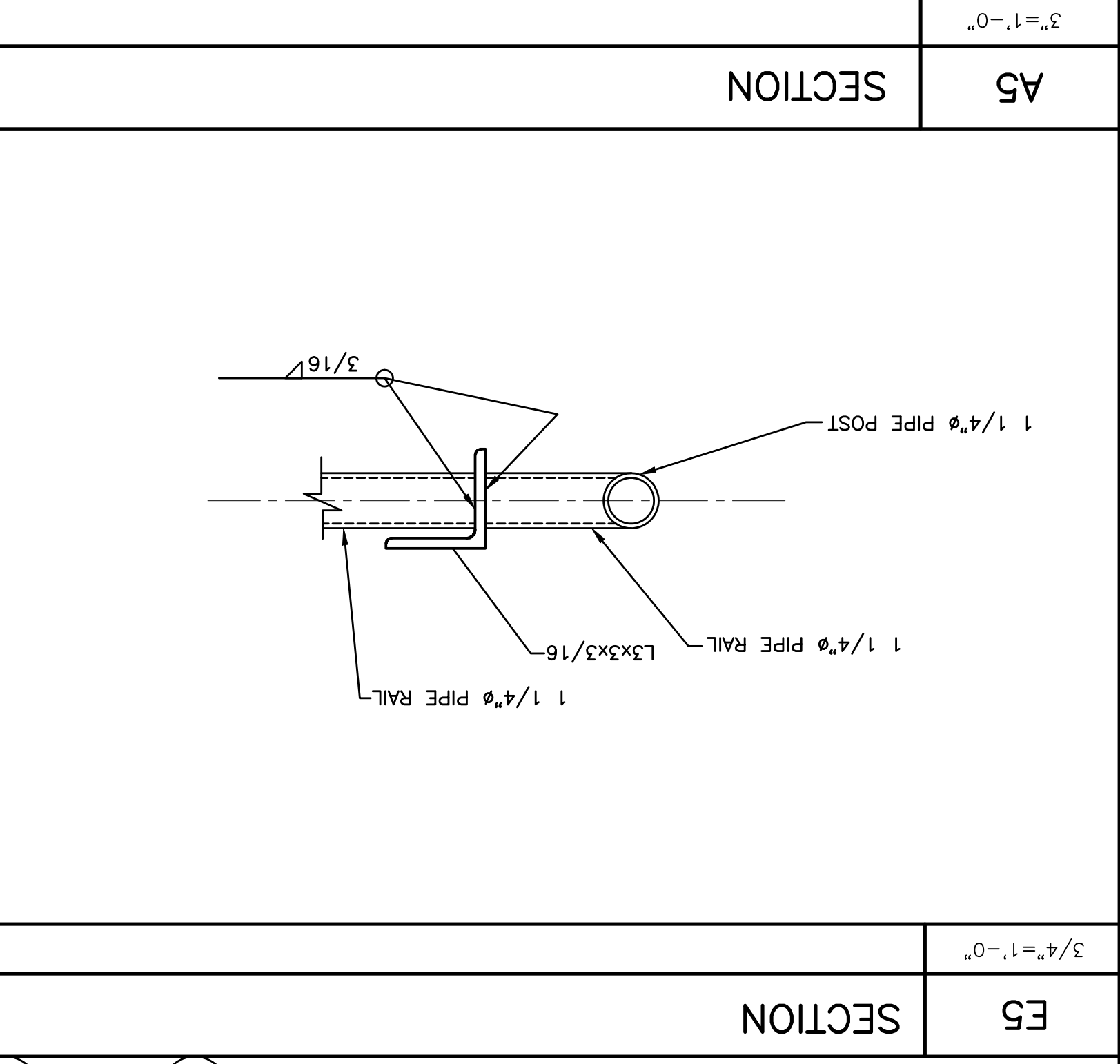
SECTION A9



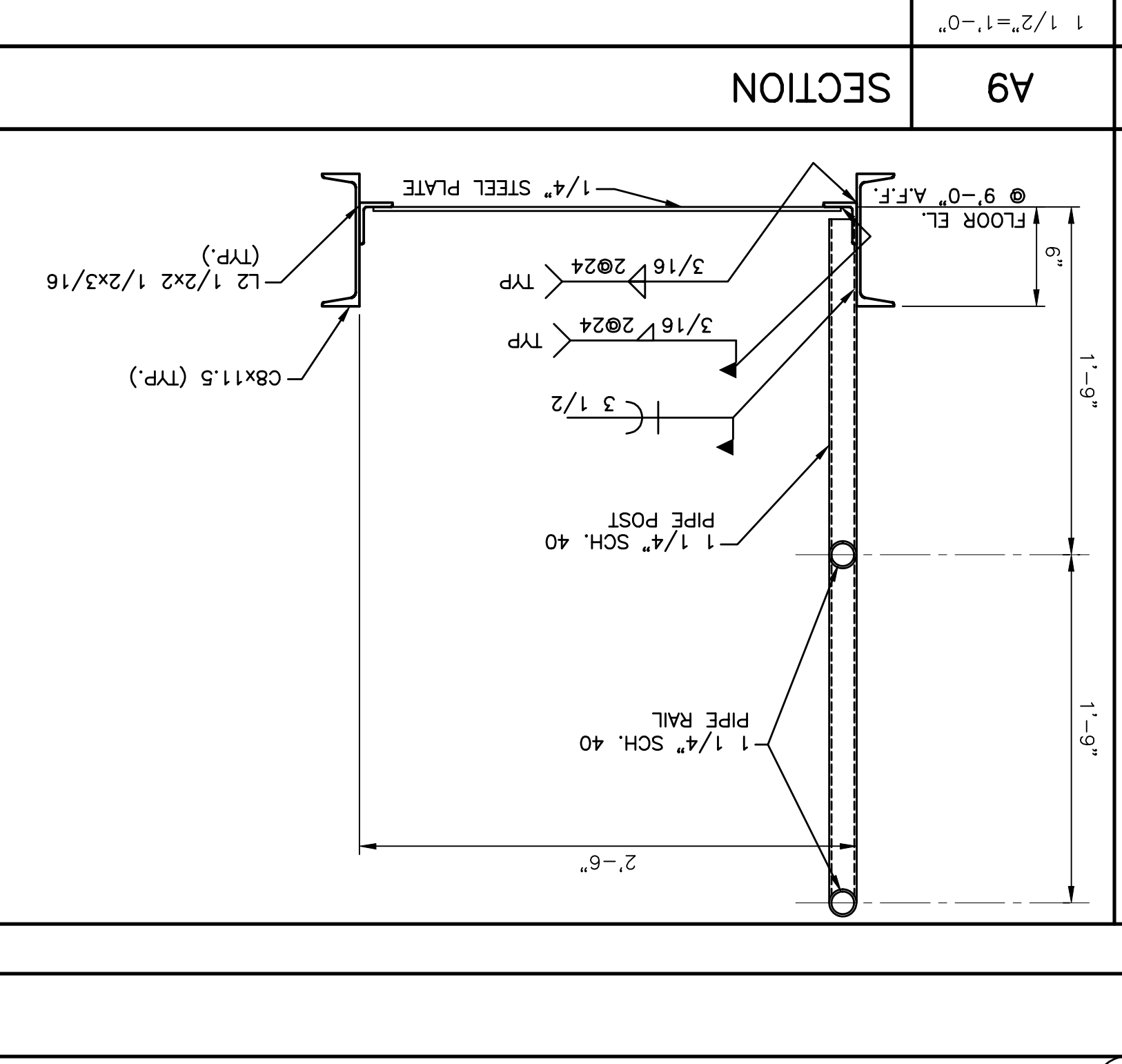
SECTION A14



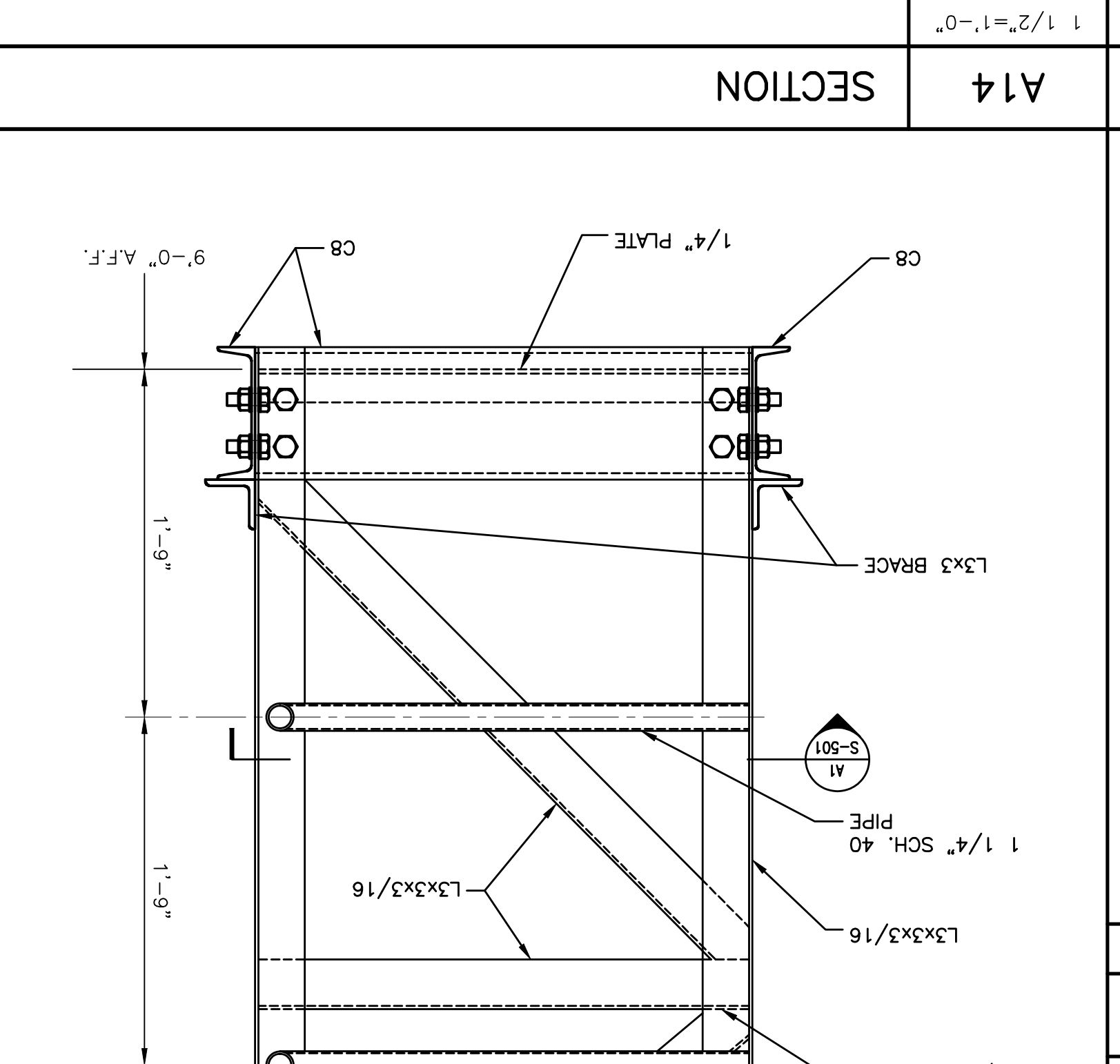
SECTION A1



SECTION A5



SECTION A9



SECTION A14

PROJECT: MAINE MEDICAL CENTER O.R. RENOVATION
 ARCHITECTURE ENGINEERING PLANNING
 144 Fore Street, P.O. Box 618
 Portland, Maine 04101
 Tel. (207) 772-3846
 Fax. (207) 772-1070

PROJECT MANAGER: CFG
 SDC/PMW: SSK
 A/E OF RECORD: SSK

DATE: 7-29-04
 SCALE: AS NOTED

GRAPHIC SCALE: 0' 1' 2'

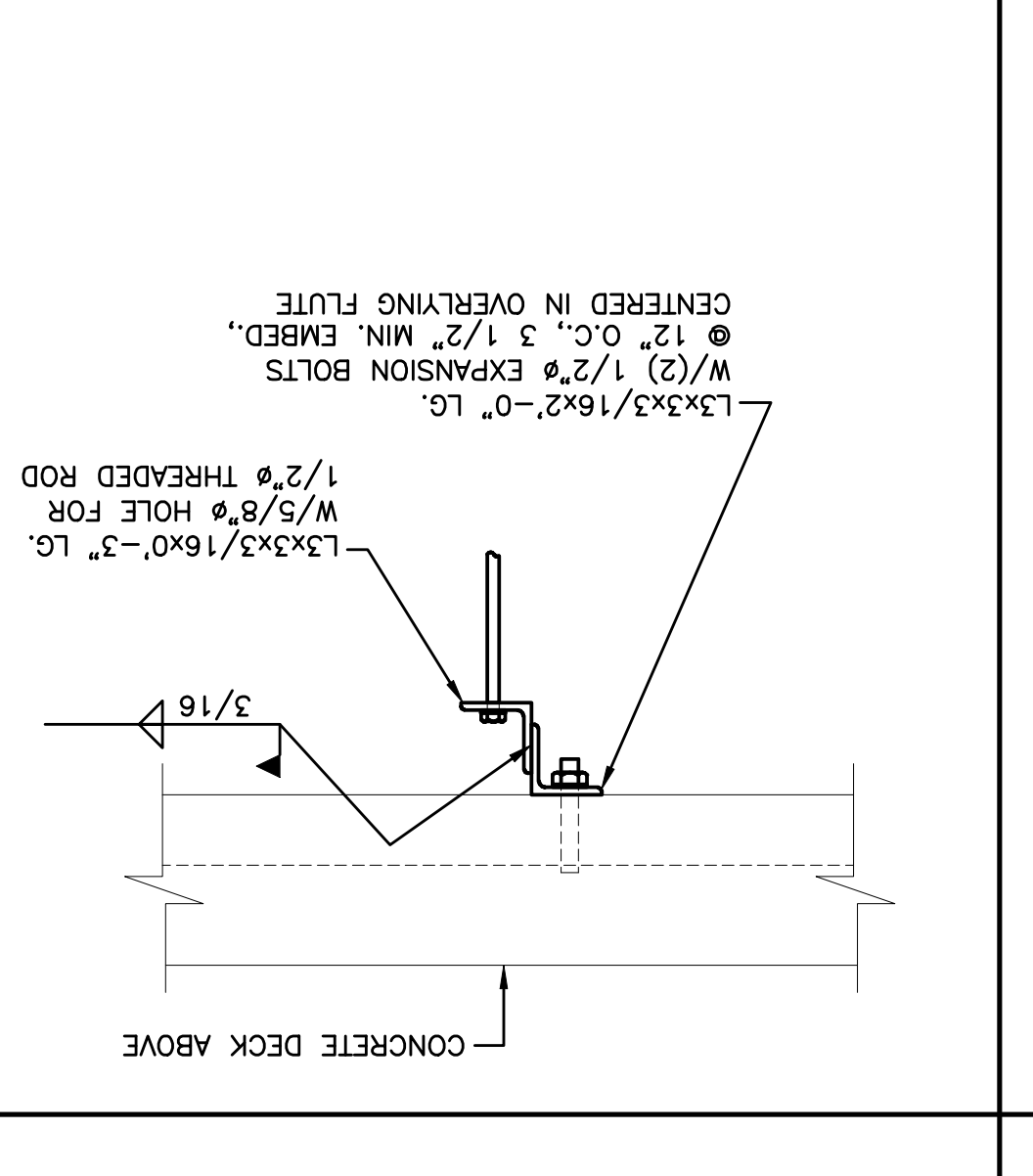
PROJECT NO. S-501
 SHEET NO. S-501

SMART CAD FILE: S-501-03122
 PROJECT NO. 03122

ISSUED FOR CONSTRUCTION 7-29-04

REV.	DESCRIPTION	DATE
0	ISSUED FOR CONSTRUCTION	7-29-04

CURRENT ISSUE STATUS:



SECTION J17

NOTES:
 1. SEE S-101 FOR GENERAL NOTES.