

ROOM NUMBER	ROOM NAME	FLOOR	BASE	NORTH	SOUTH	EAST	WEST	MATERIAL	HEIGHT	CEILING	ROOM NUMBER
100	OPERATING ROOM	RBR	SELF COVERD	PTD	PTD	PTD	PTD	GYP	10'-0"		100
101	SCRUB AREA	RBR	SELF COVERD	PTD	PTD	PTD	PTD	GYP	8'-0"		101
102	STERILE CORRIDOR	RBR	SELF COVERD	PTD	PTD	PTD	PTD	EXIST			102
103	CORRIDOR	EXIST	EXIST	EXIST	EXIST	EXIST	EXIST	EXIST			103
104	STAFF LOUNGE	WCT	PTD	PTD	PTD	PTD	PTD	ACT-2	8'-0"		104
105	STAFF LOCKER	WCT	PTD	PTD	PTD	PTD	PTD	ACT-2	8'-0"		105
106	PART X ROOM	WCT	PTD	PTD	PTD	PTD	PTD	ACT-2	8'-0"		106
107	VESITABLE	WCT	PTD	PTD	PTD	PTD	PTD	ACT-1	8'-0"		107
108	MECHANICAL/STOR ROOM	VCT	PTD	PTD	PTD	PTD	PTD	EXP	10'-0"		108
109	HOUSEKEEPING	EXIST	EXIST	EXIST	EXIST	EXIST	EXIST	EXIST			109

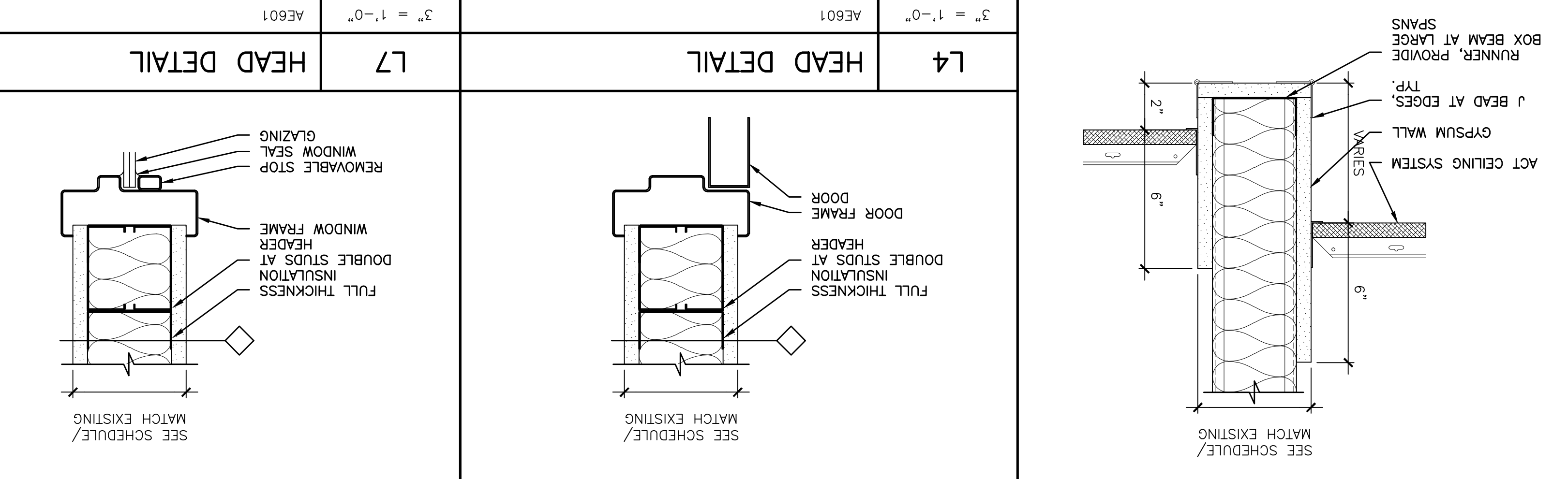
P1 FINISH SCHEDULE

1. SEE SPECIFICATIONS FOR ADDITIONAL INFORMATION REGARDING FINISH MATERIALS.

2. REFER TO PARTITION LEGEND FOR TYPE OF GWB COMPOSITION (TYPICAL).

3. ALL DOOR FRAMES TO BE PTD - U.N.O.

4. ASSUME ONE ACENT PAINT COLOR IN EACH ROOM.



P9 DOOR SCHEDULE

DOOR NUMBER	SIZE	MATERIAL	ELEVATION	GLAZING	MATERIAL	ELEVATION	FRAME	JAMB	HEAD	SILL	HWS	DOOR NUMBER	REMARKS
100	3'-6"x7'-0"x1 3/4"	WD	NG	TEMP	HM	2	L4/AE601	H4/AE601					
101	1'-0"x7'-0"x1 3/4"	WD	NG	TEMP	HM	1	L4/AE601	H4/AE601					
102	3'-6"x7'-0"x1 3/4"	WD	NG	TEMP	HM	2	L4/AE601	H4/AE601					
104	3'-0"x7'-0"x1 3/4"	WD	NG	TEMP	HM	1	L4/AE601	H4/AE601					
105	3'-0"x7'-0"x1 3/4"	WD	F	TEMP	HM	1	L4/AE601	H4/AE601					
106	3'-0"x7'-0"x1 3/4"	WD	F	TEMP	HM	1	L4/AE601	H4/AE601					

DOOR NUMBER	FINISH	GLAZING	TEMP	WIRE	TEMP	GLASS	WIRE	GLASS
100	PTD	PTD	PTD	PTD	PTD	PTD	PTD	PTD
101	PTD	PTD	PTD	PTD	PTD	PTD	PTD	PTD
102	PTD	PTD	PTD	PTD	PTD	PTD	PTD	PTD
103	PTD	PTD	PTD	PTD	PTD	PTD	PTD	PTD
104	PTD	PTD	PTD	PTD	PTD	PTD	PTD	PTD
105	PTD	PTD	PTD	PTD	PTD	PTD	PTD	PTD
106	PTD	PTD	PTD	PTD	PTD	PTD	PTD	PTD

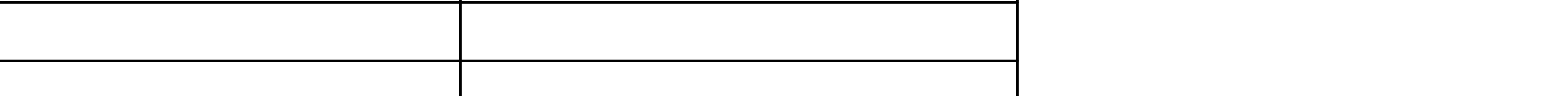
DOOR ABBREVIATIONS

- ACT ACUSTICAL CEILING TILE
- B.S. BOTTOM OF STRUCTURE
- CEM CEMENT BOARD
- CIF CHAIN-LINK FENCE
- CPT CHASE
- CT CERAMIC TILE
- EXP EXPOSED STRUCTURE
- GYP GYPSUM WALLBOARD
- INS INSULATED
- INS PNL INSULATED PANELS SECURITY CEILING
- MFC METAL ACUSTICAL SECURITY CEILING
- MC PRE-CAST PANELS
- PC PRE-FINISHED BY MANUFACTURER
- PTD PAINTED
- RBR RUBBER BASE
- RBR RUBBER FLOOR
- RES RESIN
- VCT INTL COMPOSITION TILE

KEY NOTES:

1. SEE SPECIFICATIONS FOR ADDITIONAL INFORMATION REGARDING FINISH MATERIALS.
2. REFER TO PARTITION LEGEND FOR TYPE OF GWB COMPOSITION (TYPICAL).
3. ALL DOOR FRAMES TO BE PTD - U.N.O.
4. ASSUME ONE ACENT PAINT COLOR IN EACH ROOM.

FINISH LEGEND



WINDOW TYPES



DOOR ABBREVIATIONS

- AL/ALUM ALUMINUM
- HM HOLLOW METAL
- INS INSULATED
- NS STAINLESS STEEL
- S/S STEEL
- TEMP TEMPERED GLASS
- WIRE WIRE GLASS

DOOR NOTES

1. SEE SPECIFICATIONS FOR HARDWARE SET DESCRIPTIONS.
2. SEE TITLE SHEET 001 FOR STANDARD ABBREVIATIONS.
3. ALL SWINGING DOORS TO BE 1-3/4" THICK (U.N.O.).
4. ALL DOORS SHALL BE 3/4" UNDERCUT (TYPICAL) EXCEPT WHEN SPECIFICALLY NOTED OTHERWISE.
5. ALL DOORS WITH BOTTOM FRAMES OR SILL THRESHOLDS SHALL HAVE MANUFACTURERS RECOMMENDED STANDARD UNDERCUT.
6. GLAZING NOTED ON DOOR SCHEDULE IS FOR THE DOOR AND SIDELIGHTS IN THE FRAME (TYPICAL).

ISSUED FOR CONSTRUCTION

REV.	DATE	DESCRIPTION
0	7-29-04	ISSUED FOR CONSTRUCTION

ROOM NUMBER	ROOM NAME	FLOOR	BASE	NORTH	SOUTH	EAST	WEST	MATERIAL	HEIGHT	CEILING	ROOM NUMBER
100	OPERATING ROOM	RBR	SELF COVERD	PTD	PTD	PTD	PTD	GYP	10'-0"		100
101	SCRUB AREA	RBR	SELF COVERD	PTD	PTD	PTD	PTD	GYP	8'-0"		101
102	STERILE CORRIDOR	RBR	SELF COVERD	PTD	PTD	PTD	PTD	EXIST			102
103	CORRIDOR	EXIST	EXIST	EXIST	EXIST	EXIST	EXIST	EXIST			103
104	STAFF LOUNGE	WCT	PTD	PTD	PTD	PTD	PTD	ACT-2	8'-0"		104
105	STAFF LOCKER	WCT	PTD	PTD	PTD	PTD	PTD	ACT-2	8'-0"		105
106	PART X ROOM	WCT	PTD	PTD	PTD	PTD	PTD	ACT-2	8'-0"		106
107	VESITABLE	WCT	PTD	PTD	PTD	PTD	PTD	ACT-1	8'-0"		107
108	MECHANICAL/STOR ROOM	VCT	PTD	PTD	PTD	PTD	PTD	EXP	10'-0"		108
109	HOUSEKEEPING	EXIST	EXIST	EXIST	EXIST	EXIST	EXIST	EXIST			109

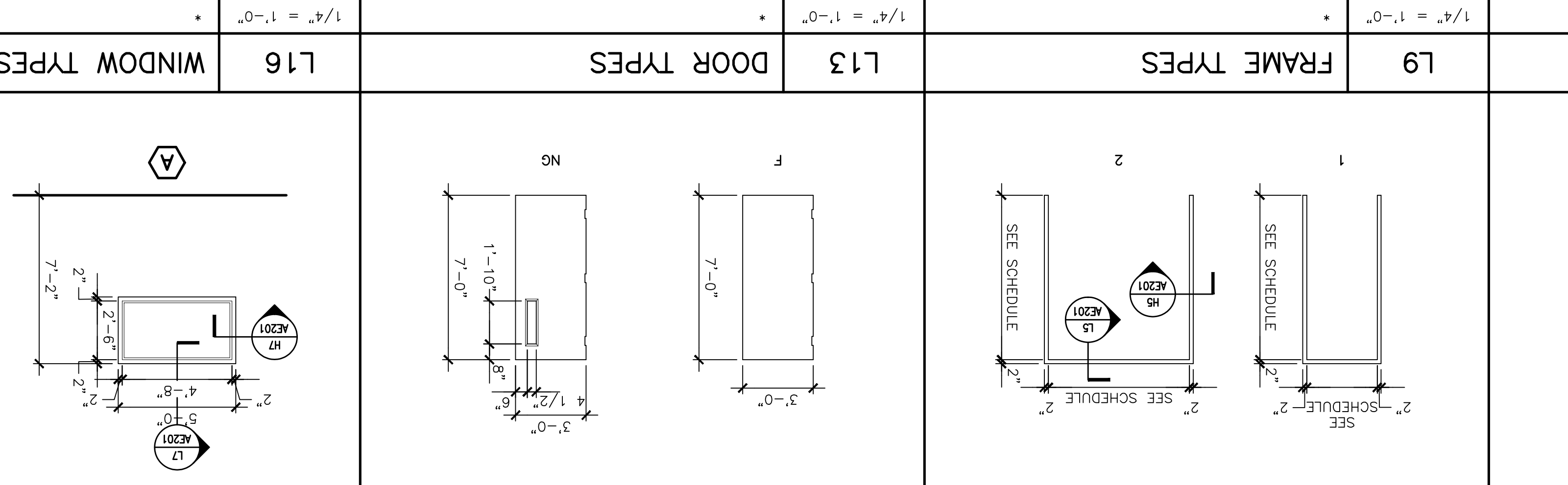
P1 FINISH SCHEDULE

1. SEE SPECIFICATIONS FOR ADDITIONAL INFORMATION REGARDING FINISH MATERIALS.

2. REFER TO PARTITION LEGEND FOR TYPE OF GWB COMPOSITION (TYPICAL).

3. ALL DOOR FRAMES TO BE PTD - U.N.O.

4. ASSUME ONE ACENT PAINT COLOR IN EACH ROOM.



P9 DOOR SCHEDULE

DOOR NUMBER	SIZE	MATERIAL	ELEVATION	GLAZING	MATERIAL	ELEVATION	FRAME	JAMB	HEAD	SILL	HWS	DOOR NUMBER	REMARKS
100	3'-6"x7'-0"x1 3/4"	WD	NG	TEMP	HM	2	L4/AE601	H4/AE601					
101	1'-0"x7'-0"x1 3/4"	WD	NG	TEMP	HM	1	L4/AE601	H4/AE601					
102	3'-6"x7'-0"x1 3/4"	WD	NG	TEMP	HM	2	L4/AE601	H4/AE601					
104	3'-0"x7'-0"x1 3/4"	WD	NG	TEMP	HM	1	L4/AE601	H4/AE601					
105	3'-0"x7'-0"x1 3/4"	WD	F	TEMP	HM	1	L4/AE601	H4/AE601					
106	3'-0"x7'-0"x1 3/4"	WD	F	TEMP	HM	1	L4/AE601	H4/AE601					

DOOR NUMBER	FINISH	GLAZING	TEMP	WIRE	TEMP	GLASS	WIRE	GLASS
100	PTD	PTD	PTD	PTD	PTD	PTD	PTD	PTD
101	PTD	PTD	PTD	PTD	PTD	PTD	PTD	PTD
102	PTD	PTD	PTD	PTD	PTD	PTD	PTD	PTD
103	PTD	PTD	PTD	PTD	PTD	PTD	PTD	PTD
104	PTD	PTD	PTD	PTD	PTD	PTD	PTD	PTD
105	PTD	PTD	PTD	PTD	PTD	PTD	PTD	PTD
106	PTD	PTD	PTD	PTD	PTD	PTD	PTD	PTD

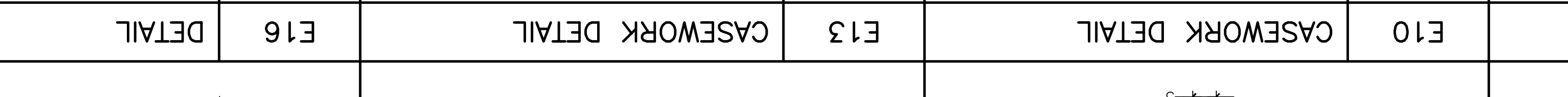
DOOR ABBREVIATIONS

- ACT ACUSTICAL CEILING TILE
- B.S. BOTTOM OF STRUCTURE
- CEM CEMENT BOARD
- CIF CHAIN-LINK FENCE
- CPT CHASE
- CT CERAMIC TILE
- EXP EXPOSED STRUCTURE
- GYP GYPSUM WALLBOARD
- INS INSULATED
- INS PNL INSULATED PANELS SECURITY CEILING
- MFC METAL ACUSTICAL SECURITY CEILING
- MC PRE-CAST PANELS
- PC PRE-FINISHED BY MANUFACTURER
- PTD PAINTED
- RBR RUBBER BASE
- RBR RUBBER FLOOR
- RES RESIN
- VCT INTL COMPOSITION TILE

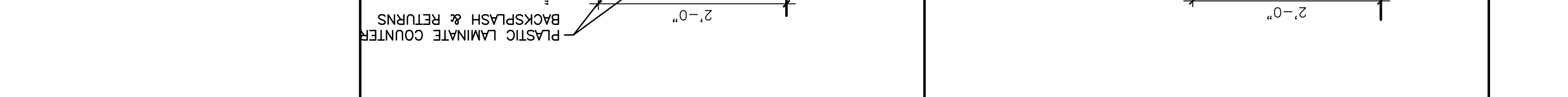
KEY NOTES:

1. SEE SPECIFICATIONS FOR ADDITIONAL INFORMATION REGARDING FINISH MATERIALS.
2. REFER TO PARTITION LEGEND FOR TYPE OF GWB COMPOSITION (TYPICAL).
3. ALL DOOR FRAMES TO BE PTD - U.N.O.
4. ASSUME ONE ACENT PAINT COLOR IN EACH ROOM.

FINISH LEGEND



WINDOW TYPES



DOOR ABBREVIATIONS

- AL/ALUM ALUMINUM
- HM HOLLOW METAL
- INS INSULATED
- NS STAINLESS STEEL
- S/S STEEL
- TEMP TEMPERED GLASS
- WIRE WIRE GLASS

DOOR NOTES

1. SEE SPECIFICATIONS FOR HARDWARE SET DESCRIPTIONS.
2. SEE TITLE SHEET 001 FOR STANDARD ABBREVIATIONS.
3. ALL SWINGING DOORS TO BE 1-3/4" THICK (U.N.O.).
4. ALL DOORS SHALL BE 3/4" UNDERCUT (TYPICAL) EXCEPT WHEN SPECIFICALLY NOTED OTHERWISE.
5. ALL DOORS WITH BOTTOM FRAMES OR SILL THRESHOLDS SHALL HAVE MANUFACTURERS RECOMMENDED STANDARD UNDERCUT.
6. GLAZING NOTED ON DOOR SCHEDULE IS FOR THE DOOR AND SIDELIGHTS IN THE FRAME (TYPICAL).

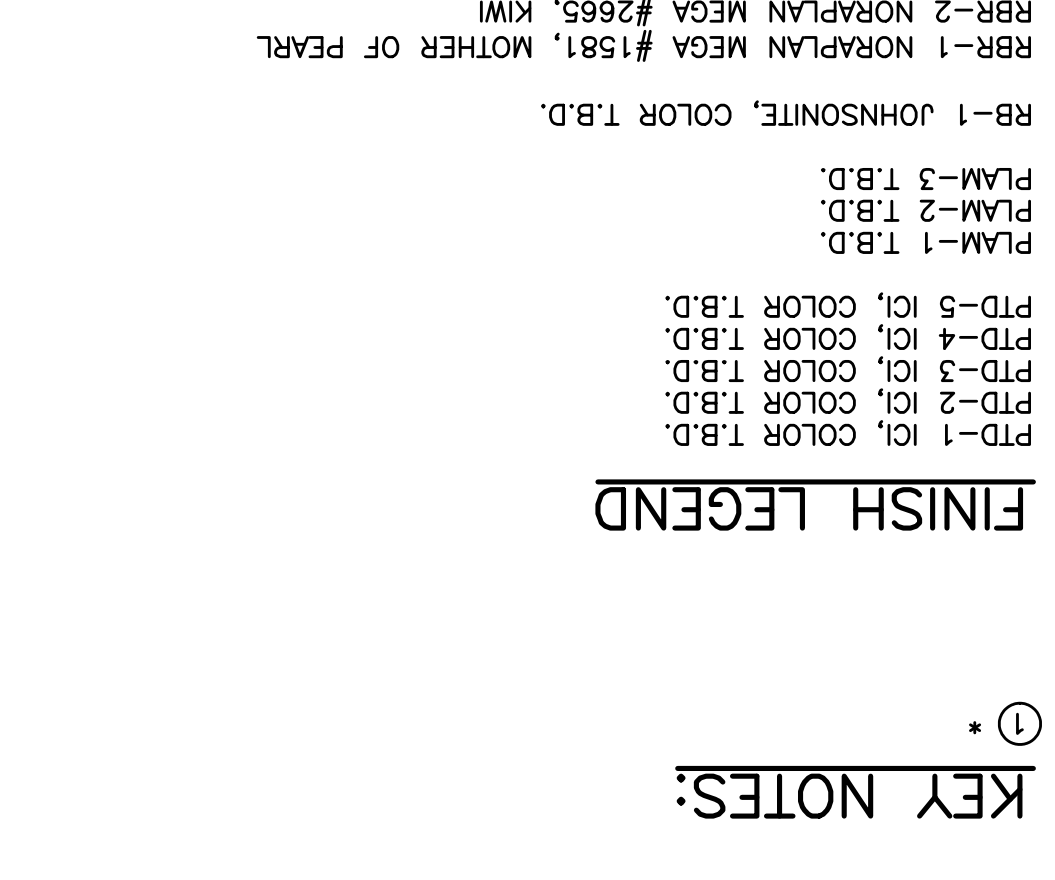
ISSUED FOR CONSTRUCTION

REV.	DATE	DESCRIPTION
0	7-29-04	ISSUED FOR CONSTRUCTION

PROJECT NO.	PROJECT NAME
AE601	O.R. RENOVATION

PROJECT INFORMATION

PROJECT: O.R. RENOVATION
 PORTLAND, MAINE
 ARCHITECTURE ENGINEERING PLANNING
 144 FORT STREET/P.O. BOX 618
 PORTLAND, MAINE 04101
 TEL: (207) 772-3846
 FAX: (207) 772-1070



P9 DOOR SCHEDULE

DOOR NUMBER	SIZE	MATERIAL	ELEVATION	GLAZING	MATERIAL	ELEVATION	FRAME	JAMB	HEAD	SILL	HWS	DOOR NUMBER	REMARKS
100	3'-6"x7'-0"x1 3/4"	WD	NG	TEMP	HM	2	L4/AE601	H4/AE601					
101	1'-0"x7'-0"x1 3/4"	WD	NG	TEMP	HM	1	L4/AE601	H4/AE601					
102	3'-6"x7'-0"x1 3/4"	WD	NG	TEMP	HM	2	L4/AE601	H4/AE601					
104	3'-0"x7'-0"x1 3/4"	WD	NG	TEMP	HM	1	L4/AE601	H4/AE601					
105	3'-0"x7'-0"x1 3/4"	WD	F	TEMP	HM	1	L4/AE601	H4/AE601					
106	3'-0"x7'-0"x1 3/4"	WD	F	TEMP	HM	1	L4/AE601	H4/AE601					

DOOR NUMBER	FINISH	GLAZING	TEMP	WIRE	TEMP	GLASS	WIRE	GLASS
100	PTD	PTD	PTD	PTD	PTD	PTD	PTD	PTD
101	PTD	PTD	PTD	PTD	PTD	PTD	PTD	PTD
102	PTD	PTD	PTD	PTD	PTD	PTD	PTD	PTD
103	PTD	PTD	PTD	PTD	PTD	PTD	PTD	PTD
104	PTD	PTD	PTD	PTD	PTD	PTD	PTD	PTD
105	PTD	PTD	PTD	PTD	PTD	PTD	PTD	PTD
106	PTD	PTD	PTD	PTD	PTD	PTD	PTD	PTD

DOOR ABBREVIATIONS

- ACT ACUSTICAL CEILING TILE
- B.S. BOTTOM OF STRUCTURE
- CEM CEMENT BOARD
- CIF CHAIN-LINK FENCE
- CPT CHASE
- CT CERAMIC TILE
- EXP EXPOSED STRUCTURE
- GYP GYPSUM WALLBOARD
- INS INSULATED
- INS PNL INSULATED PANELS SECURITY CEILING
- MFC METAL ACUSTICAL SECURITY CEILING
- MC PRE-CAST PANELS
- PC PRE-FINISHED BY MANUFACTURER
- PTD PAINTED
- RBR RUBBER BASE
- RBR RUBBER FLOOR
- RES RESIN
- VCT INTL COMPOSITION TILE

KEY NOTES:

1. SEE SPECIFICATIONS FOR ADDITIONAL INFORMATION REGARDING FINISH MATERIALS.
2. REFER TO PARTITION LEGEND FOR TYPE OF GWB COMPOSITION (TYPICAL).
3. ALL DOOR FRAMES TO BE PTD - U.N.O.
4. ASSUME ONE ACENT PAINT COLOR IN EACH ROOM.

FINISH LEGEND



WINDOW TYPES



DOOR ABBREVIATIONS

- AL/ALUM ALUMINUM
- HM HOLLOW METAL
- INS INSULATED
- NS STAINLESS STEEL
- S/S STEEL
- TEMP TEMPERED GLASS
- WIRE WIRE GLASS

DOOR NOTES

1. SEE SPECIFICATIONS FOR HARDWARE SET DESCRIPTIONS.
2. SEE TITLE SHEET 001 FOR STANDARD ABBREVIATIONS.
3. ALL SWINGING DOORS TO BE 1-3/4" THICK (U.N.O.).
4. ALL DOORS SHALL BE 3/4" UNDERCUT (TYPICAL) EXCEPT WHEN SPECIFICALLY NOTED OTHERWISE.
5. ALL DOORS WITH BOTTOM FRAMES OR SILL THRESHOLDS SHALL HAVE MANUFACTURERS RECOMMENDED STANDARD UNDERCUT.
6. GLAZING NOTED ON DOOR SCHEDULE IS FOR THE DOOR AND SIDELIGHTS IN THE FRAME (TYPICAL).

ISSUED FOR CONSTRUCTION

REV.	DATE	DESCRIPTION
0	7-29-04	ISSUED FOR CONSTRUCTION