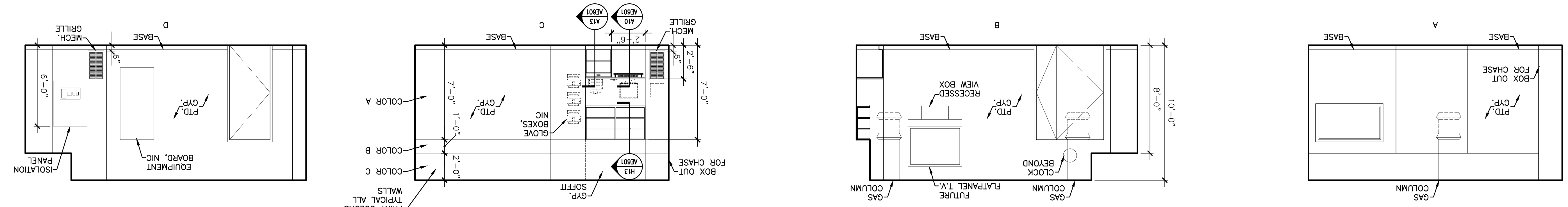
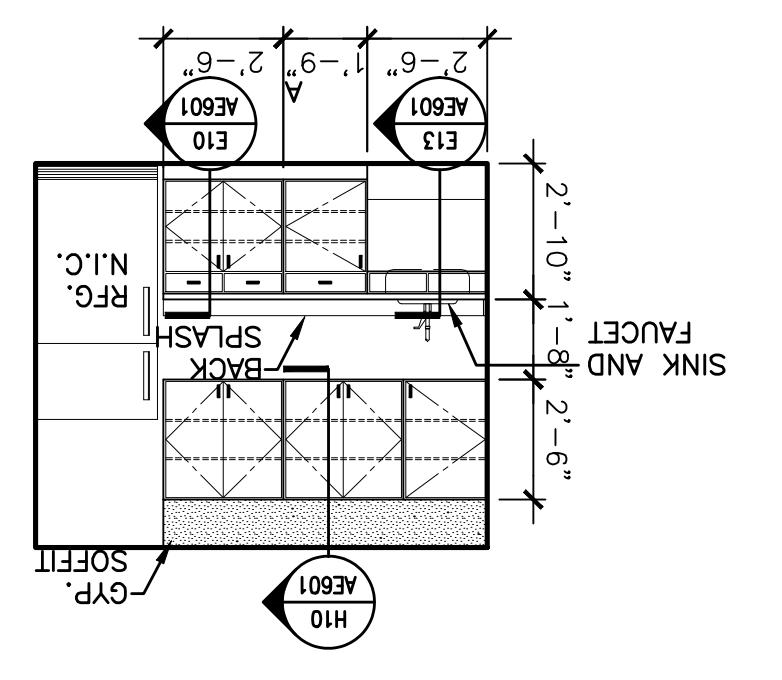


A1 INTERIOR ELEVATION



E1 INTERIOR ELEVATION

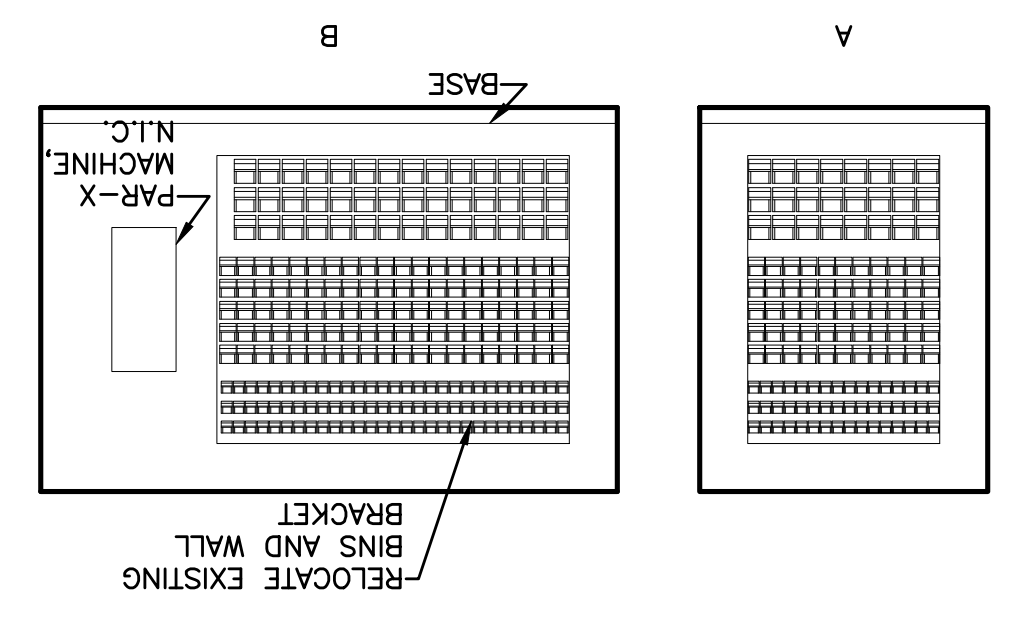


H1

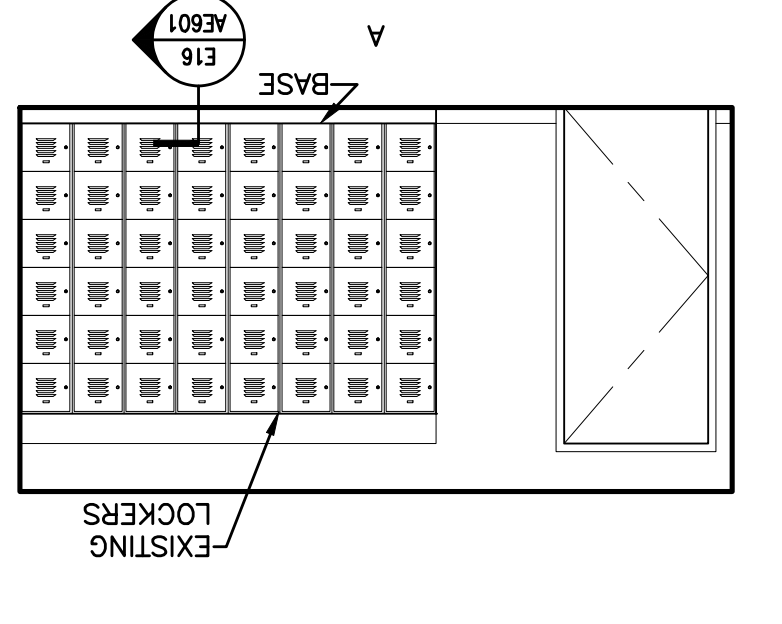
L1

P1

E4 INTERIOR ELEVATION



E7 INTERIOR ELEVATION



INTERIOR ELEVATIONS

PROJECT: MAINE MEDICAL CENTER O.R. RENOVATION
 144 Fore Street, P.O. Box 618
 Portland, Maine 04104
 TEL: (207) 772-3846
 FAX: (207) 772-1070
 SMART ARCHITECTURE ENGINEERING PLANNING
 PROJECT NORTH

ISSUED FOR CONSTRUCTION 7-29-04

REV.	DESCRIPTION	DATE
0	ISSUED FOR CONSTRUCTION	7-29-04

REV.	DESCRIPTION	DATE
0	ISSUED FOR CONSTRUCTION	7-29-04

GENERAL NOTES:

PROJECT TITLE: INTERIOR ELEVATIONS
 SCALE: 1/4" = 1'-0"
 DATE: 7-29-04
 PROJECT MANAGER: CFG
 GRAPHIC SCALE: 0' 1'
 JOB CAP/DRWN: SDL/SDL
 A/E OF RECORD: CFG
 SHEET No. AE201
 SMART CAD FILE: AE201-03122
 PROJECT No. 03122