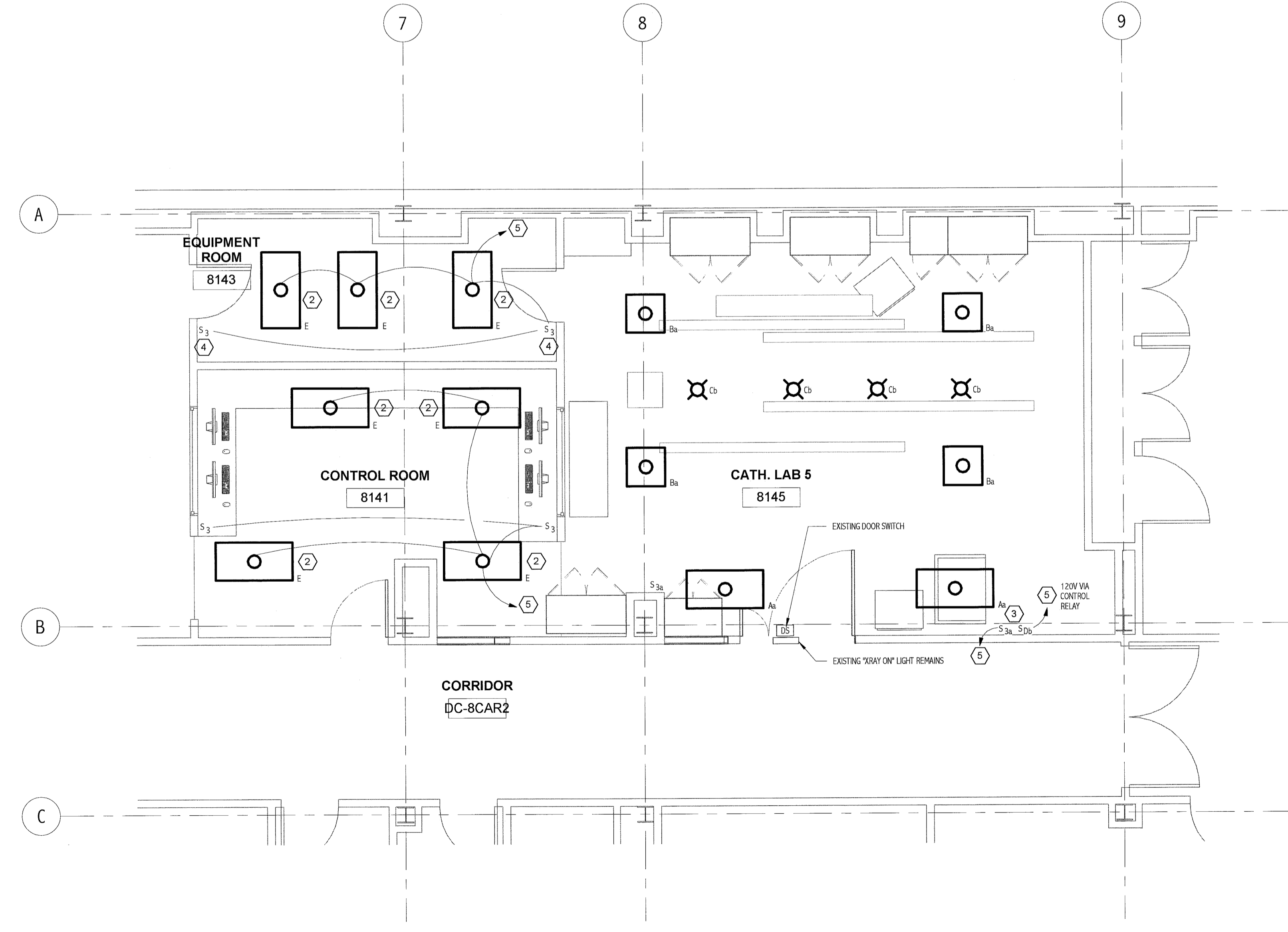


1 ACU HOLDING LIGHTING PLAN  
1/4" = 1'-0"



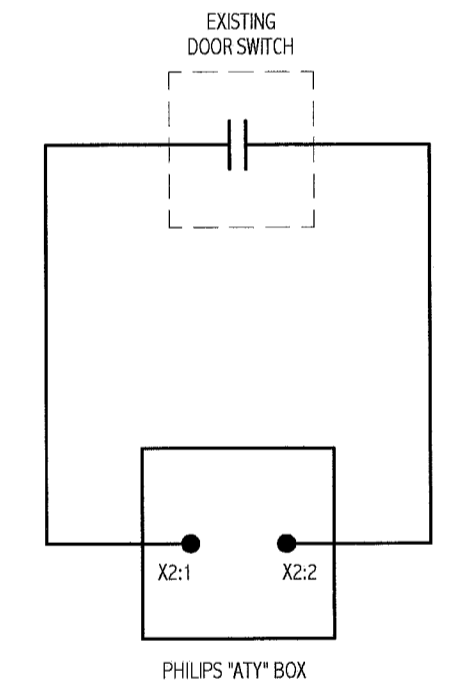
2 CATH LAB 5 LIGHTING PLAN  
1/4" = 1'-0"

**NOTE:**

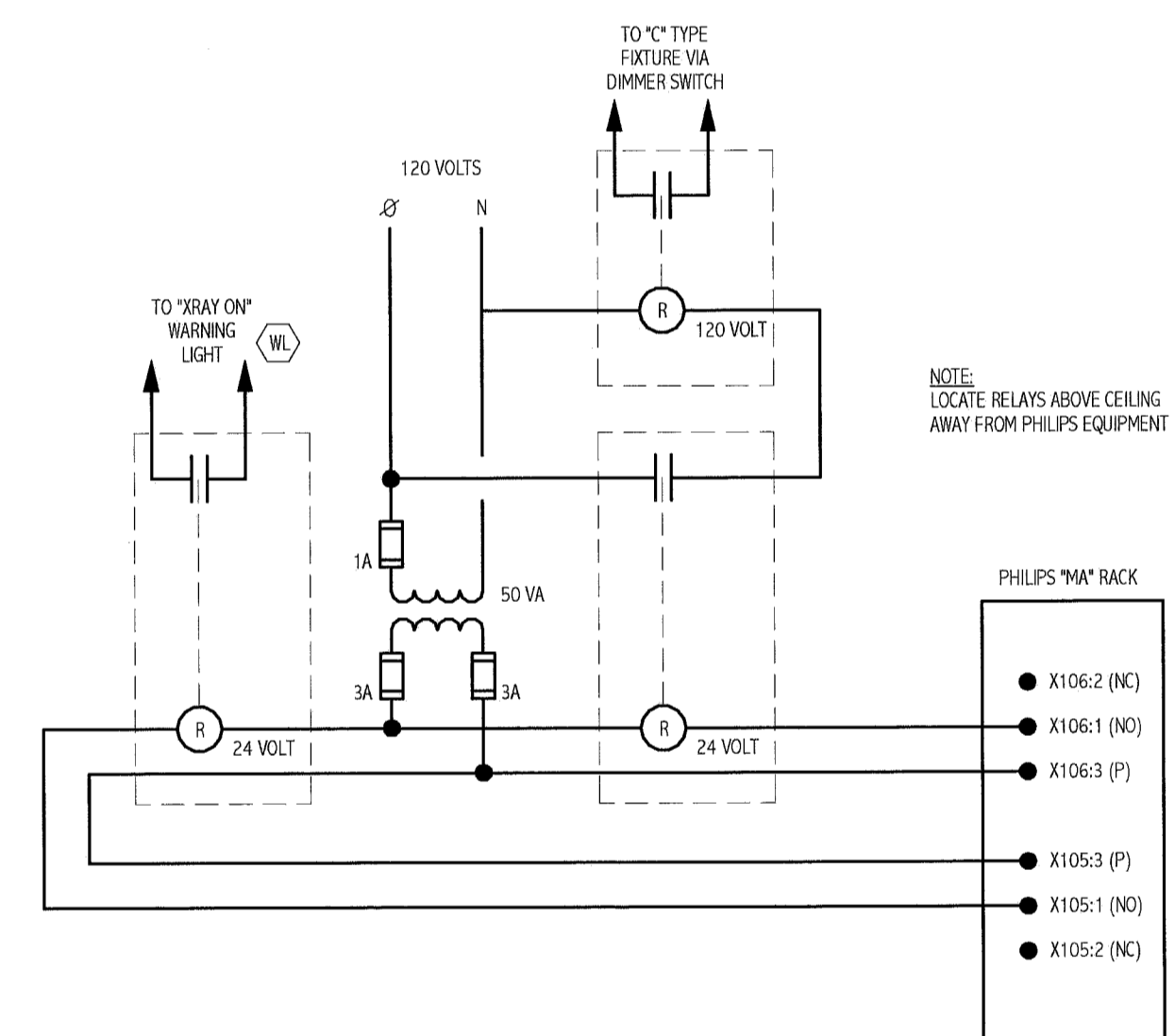
1. SEE E-001 FOR LEGEND AND GENERAL NOTES.

**KEYED NOTES:**

- 1 EXISTING LIGHT FIXTURE TO REMAIN.
- 2 RE-INSTALL EXISTING LIGHT FIXTURE. COORDINATE WITH MECHANICAL DRAWINGS.
- 3 PROVIDE NEW SWITCHES AND DIMMERS UTILIZING EXISTING BACK CONDUIT.
- 4 EXISTING SWITCH REMAINS.
- 5 TO EXISTING LOCAL CIRCUIT.



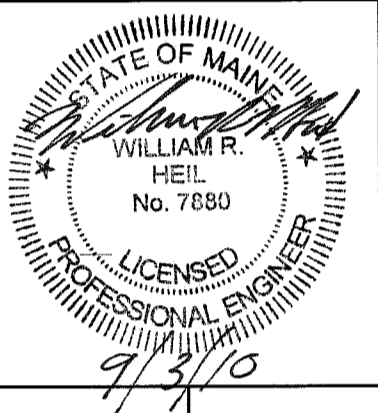
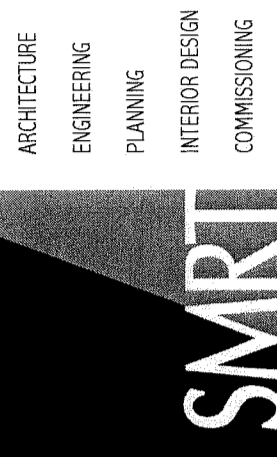
DOOR SWITCH CONTROL DIAGRAM  
SCALE: NONE



LIGHTING CONTROL DIAGRAM  
SCALE: NONE

LIGHT FIXTURE SCHEDULE					
TYPE	DESCRIPTION	MFR.	LAMPS	MOUNTING	NOTES
A	2x4 ZERO PLENUM TROFFER WITH FLUSH CURVED BAFFLE	COLUMBIA ZPT SERIES	2-54W TSHO 3500K	CEILING RECESSED	UNIVERSAL VOLTAGE BALLAST
B	2x2 ZERO PLENUM TROFFER WITH FLUSH CURVED BAFFLE	COLUMBIA ZPT SERIES	2-24W TSHO 3500K	CEILING RECESSED	UNIVERSAL VOLTAGE BALLAST
C	8" VERTICAL INCANDESCENT DOWNLIGHT WITH TEMPERED GLASS LENS	PRESCOLITE INC800 SERIES	150W A23	CEILING RECESSED	
D	2x4 SPECIFICATION GRADE STATIC TROFFER WITH A12 ACRYLIC LENS	COLUMBIA 4PS SERIES	3-32W T8 3500K	CEILING RECESSED	UNIVERSAL VOLTAGE BALLAST
E	EXISTING FIXTURE RELOCATED AND RE-INSTALLED			CEILING RECESSED	

144 Fox Street, P.O. Box 618  
Portland, Maine 04104  
Tel: (207) 772-3846  
Fax: (207) 772-1070  
www.smriinc.com



Maine Medical Center Cath Lab 5

ISSUED FOR CONSTRUCTION  
9.3.10

NO.	DATE	DESCRIPTION

GRAPHIC SCALE:  
0" 1"  
SCALE: As indicated  
PROJECT MANAGER: KD  
J.C. DRAWN BY: CDS  
A/E OF RECORD: WR1  
PROJECT NO: 10006-00  
DATE: 9.3.10  
SHEET TITLE:  
LIGHTING  
PARTIAL PLANS