

NO.	DATE	DESCRIPTION
0		ISSUED FOR CONSTRUCTION

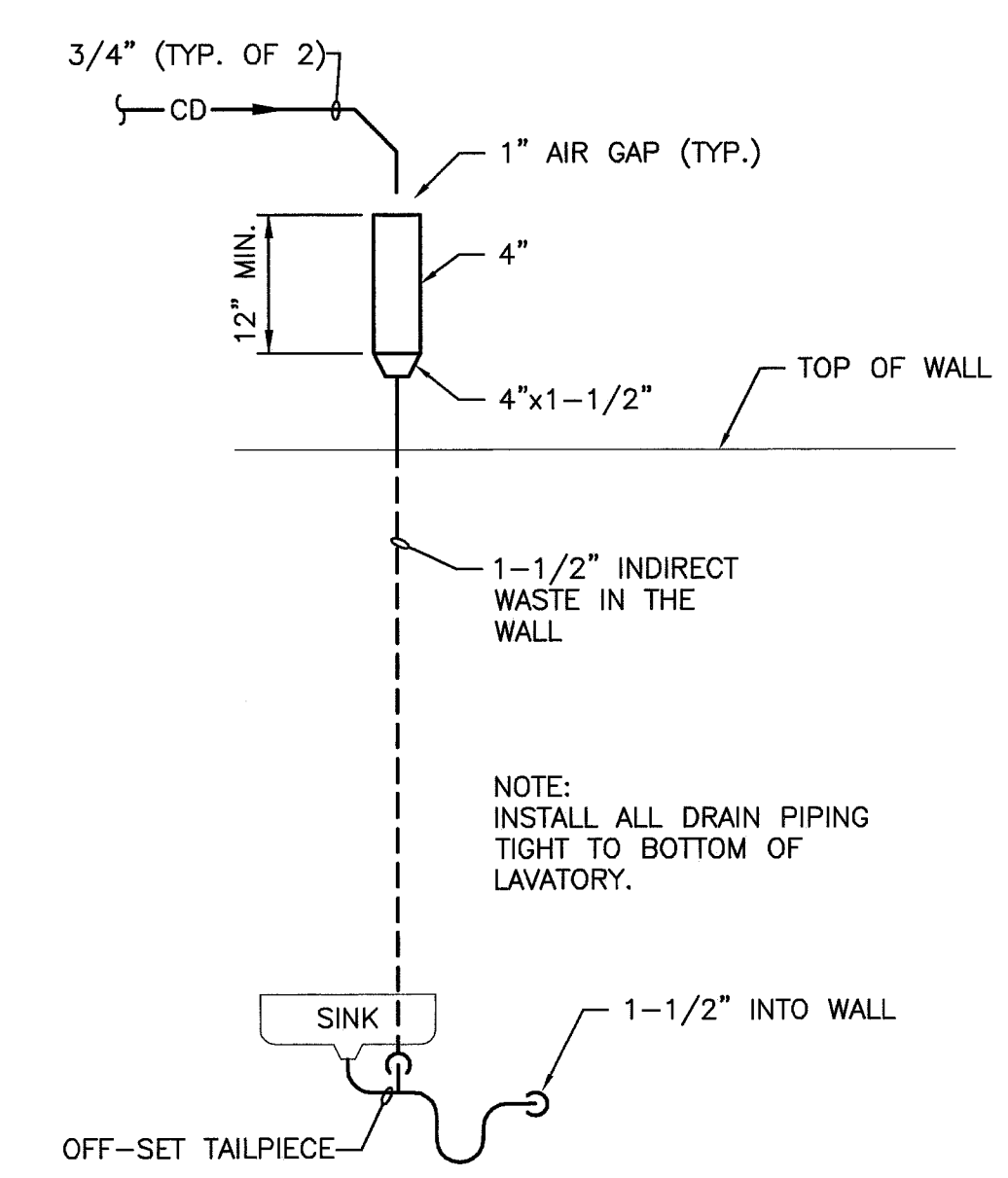
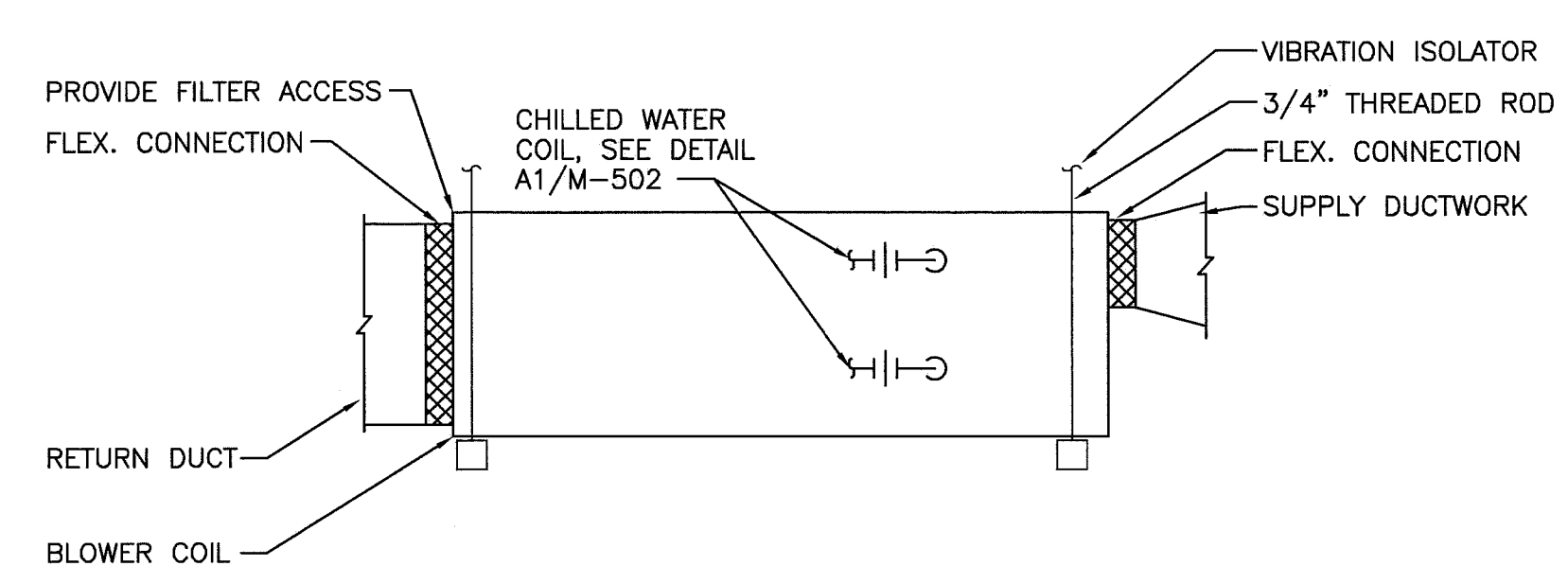
GRAPHIC SCALE: 1" = 1'

SCALE: NOT TO SCALE

PROJECT MANAGER:	RD
COORDINATOR:	KPB
DATE OF RECORD:	PWB
PROJECT NO.:	10006
DATE:	9.3.10

SHEET TITLE:
DETAILS

SHEET NO.:
M-502



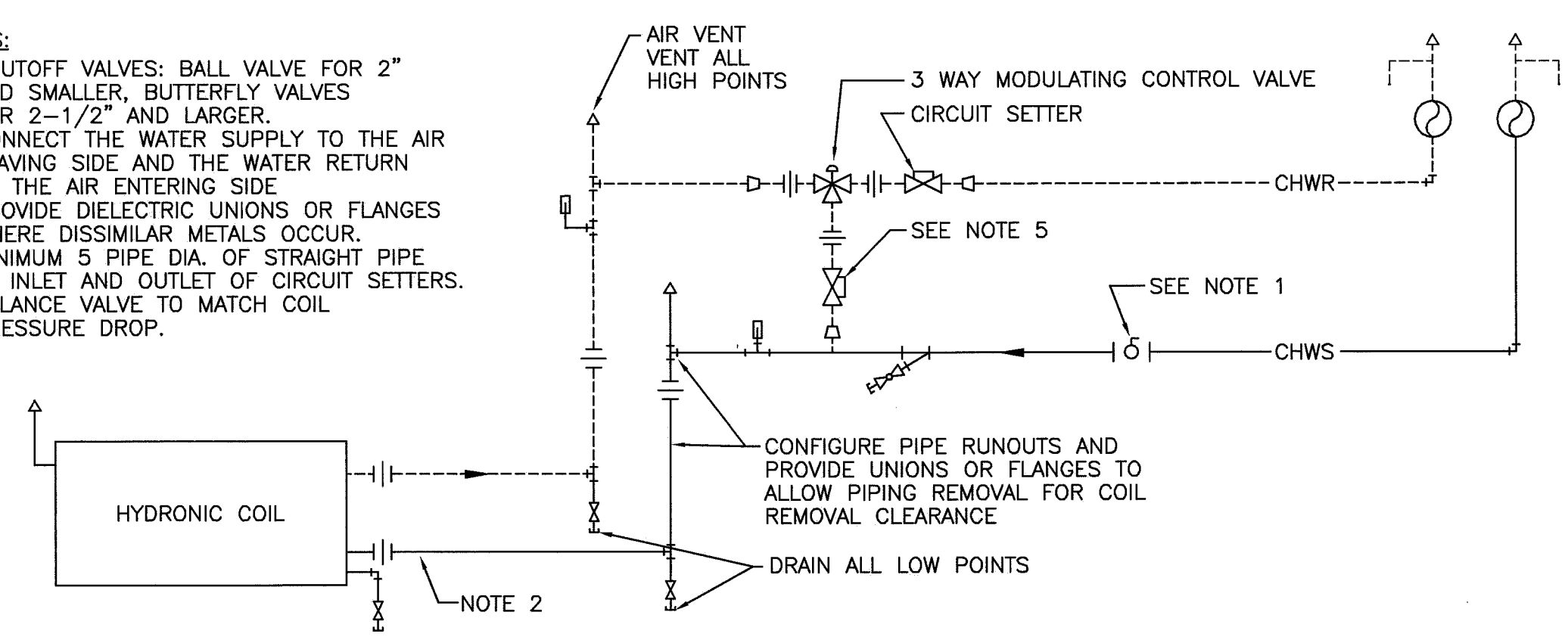
E1 BLOWER COIL INSTALLATION

E5 INDIRECT WASTE

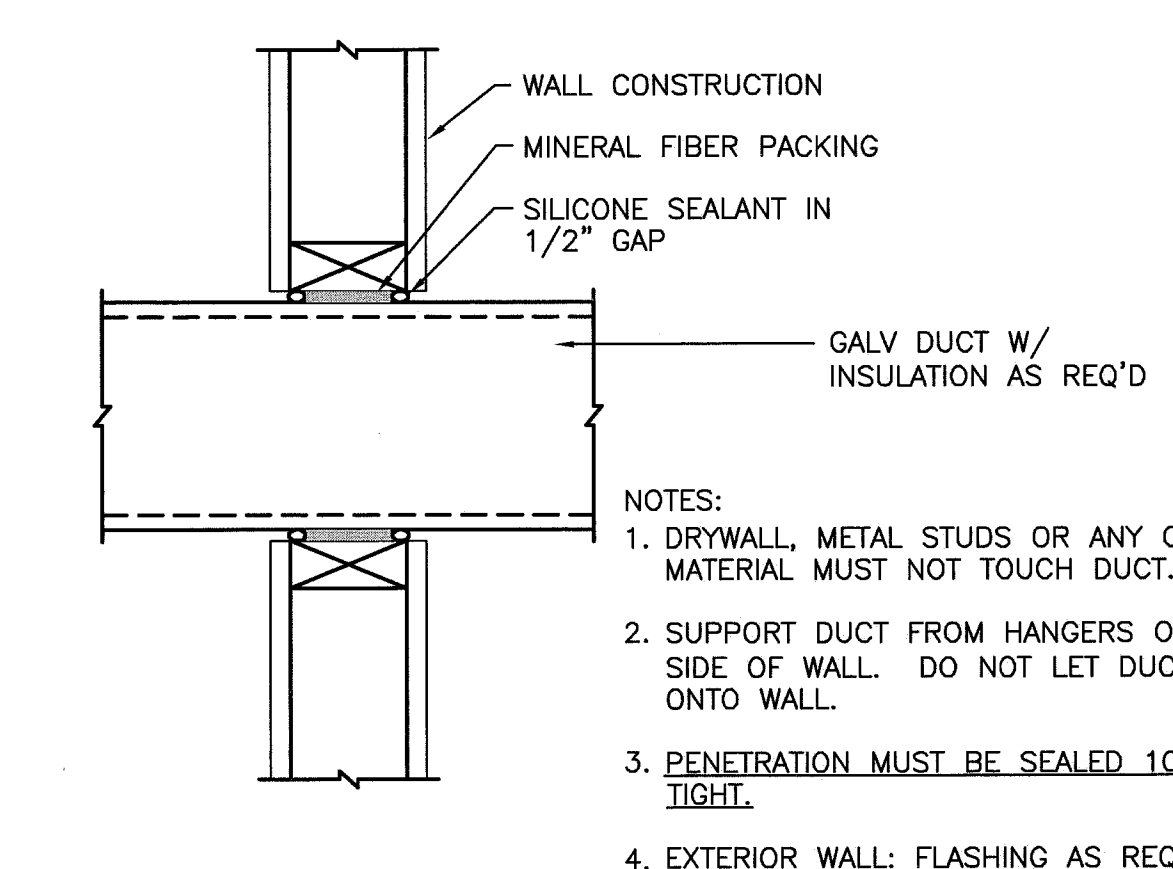
NOT TO SCALE

NOT TO SCALE

- NOTES:
1. SHUTOFF VALVES: BALL VALVE FOR 2" AND SMALLER, BUTTERFLY VALVES FOR 2-1/2" AND LARGER.
 2. CONNECT THE WATER SUPPLY TO THE AIR LEAVING SIDE AND THE WATER RETURN TO THE AIR ENTERING SIDE.
 3. PROVIDE DIELECTRIC UNIONS OR FLANGES WHERE DISSIMILAR METALS OCCUR.
 4. MINIMUM 5 PIPE DIA. OF STRAIGHT PIPE AT INLET AND OUTLET OF CIRCUIT SETTERS.
 5. BALANCE VALVE TO MATCH COIL PRESSURE DROP.



A1 CHILLED WATER PIPING DETAIL, THREE-WAY VALVE



A7 METAL DUCT WALL PENETRATION

NOT TO SCALE

NOT TO SCALE

TYPICAL AT BC-1 AND AHU-13.