

**K1 FLEXIBLE DUCT**

**K5 TYP. RETURN & TRANSFER GRILLE PLENUM**

**K11 DUCT HANGER**

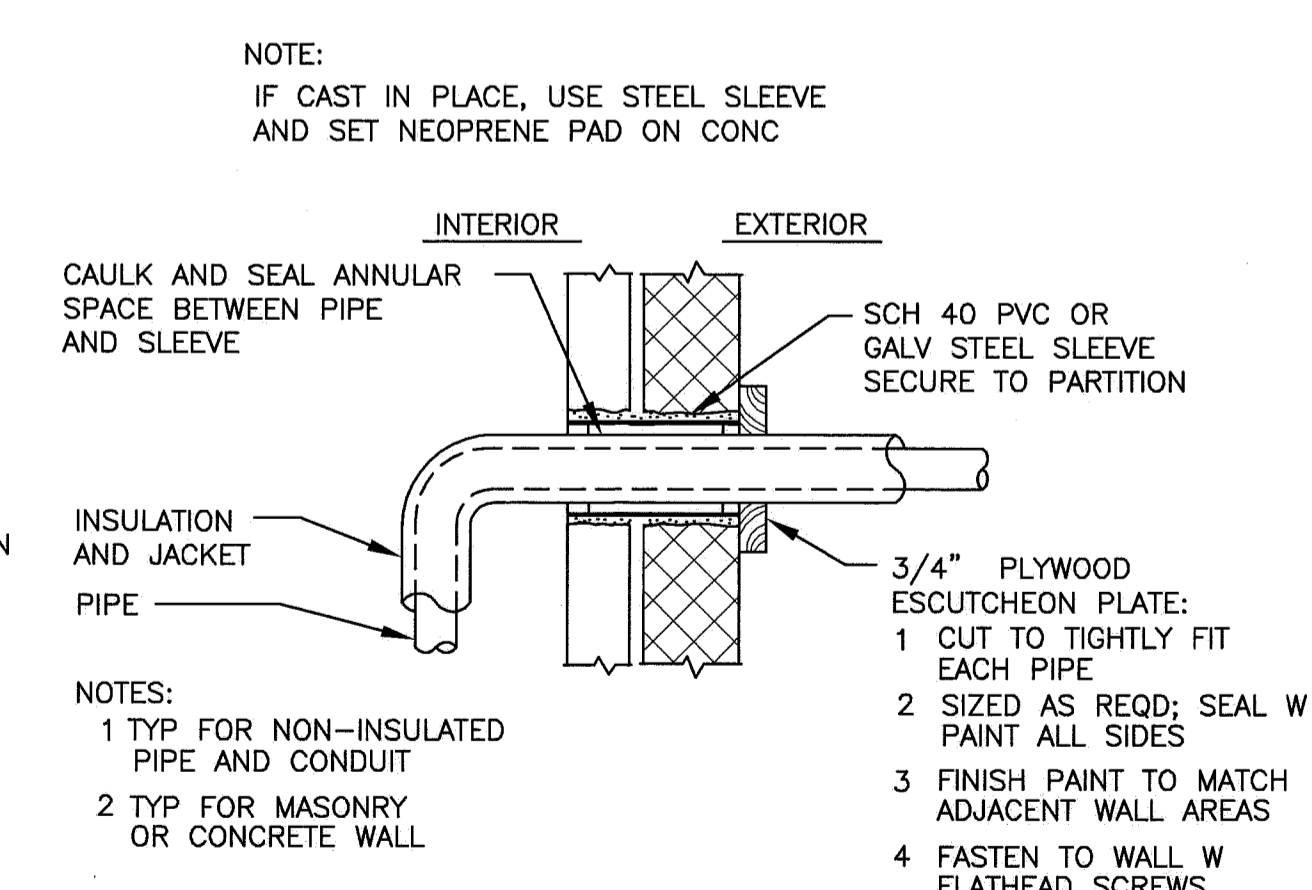
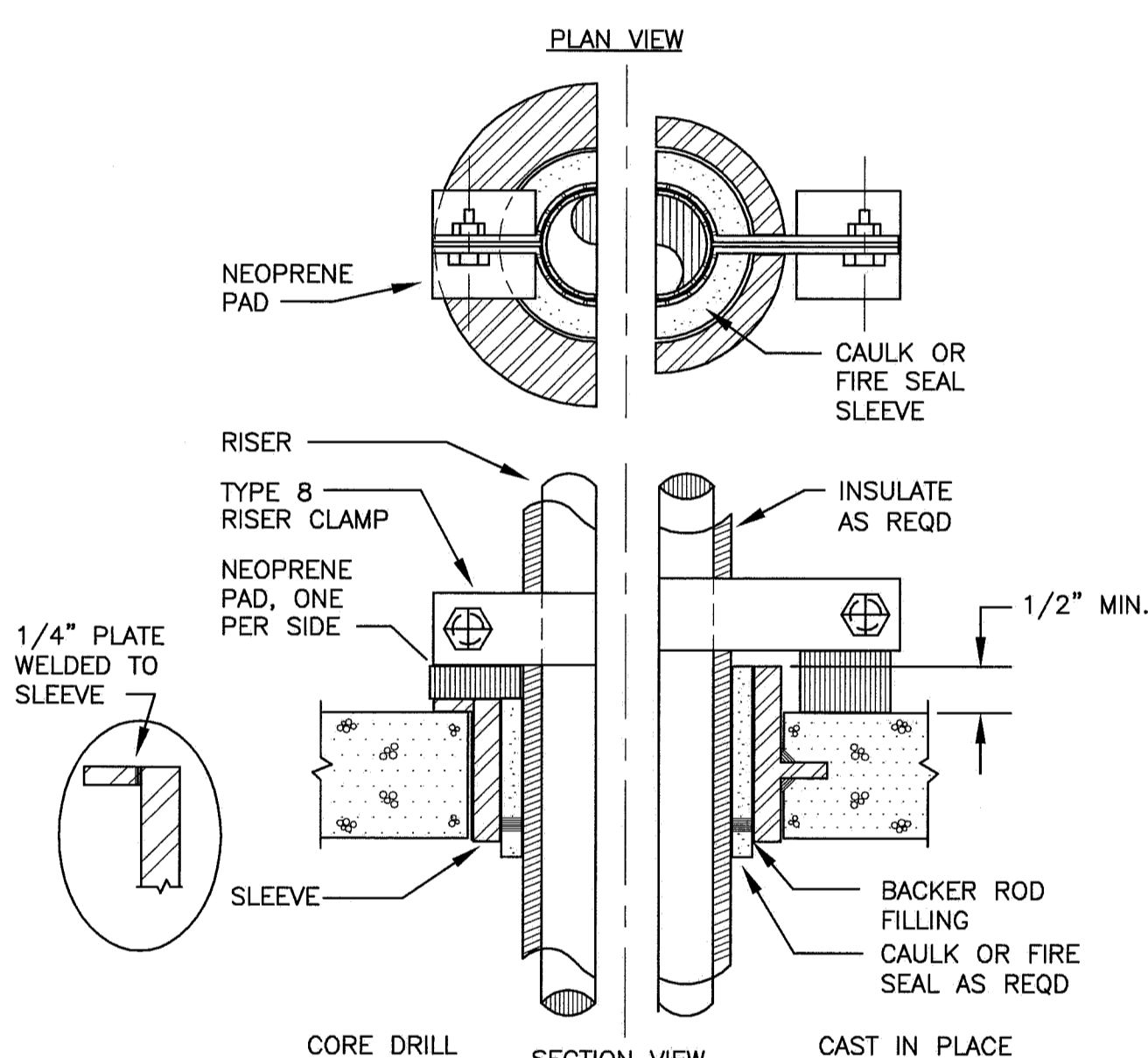
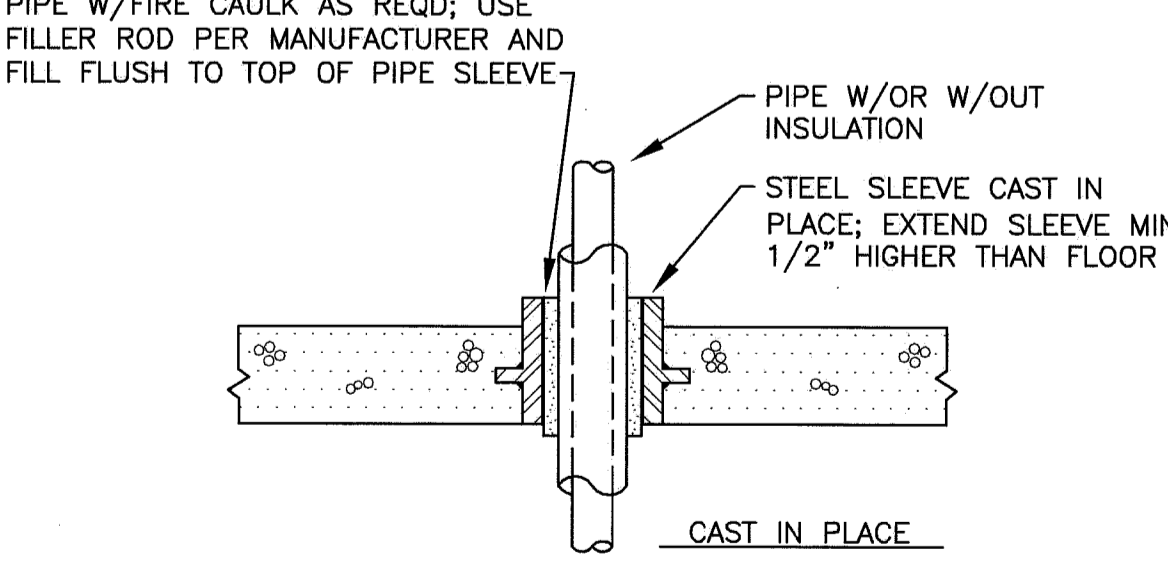
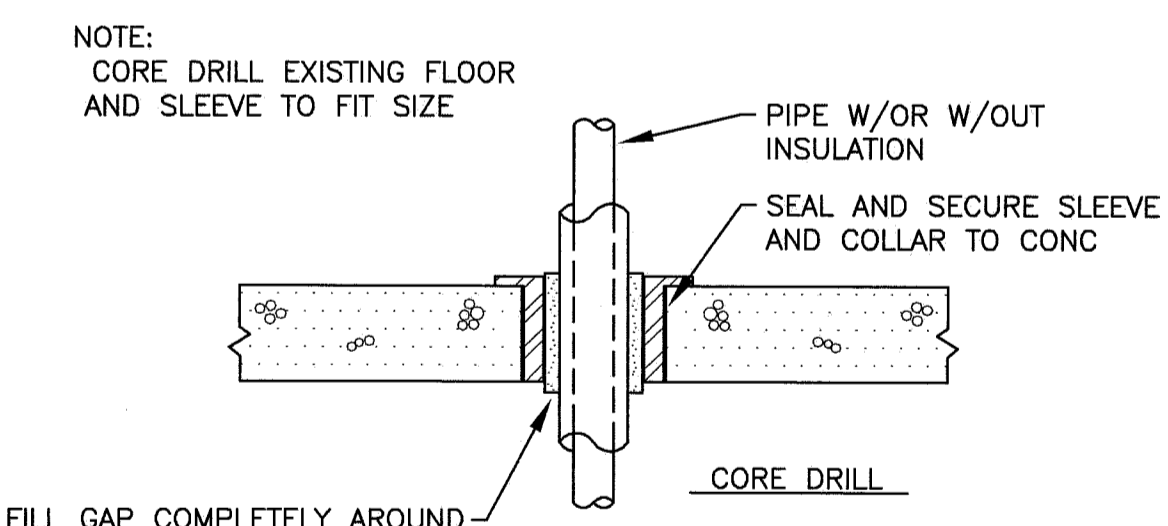
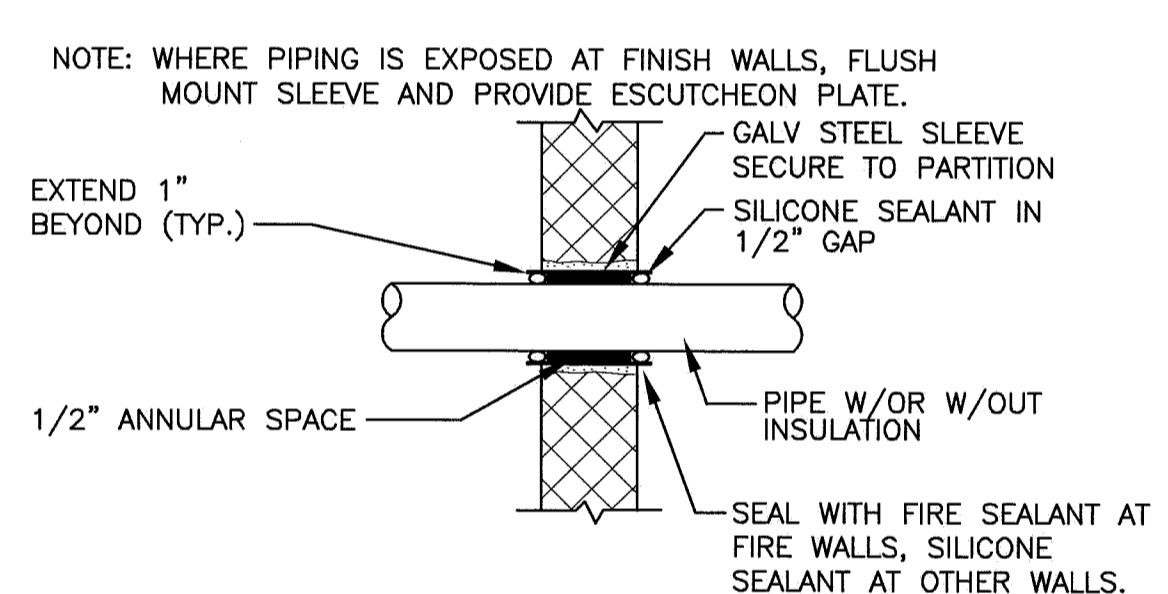
**K13 DUCT TRANSITION**

NOT TO SCALE

NOT TO SCALE

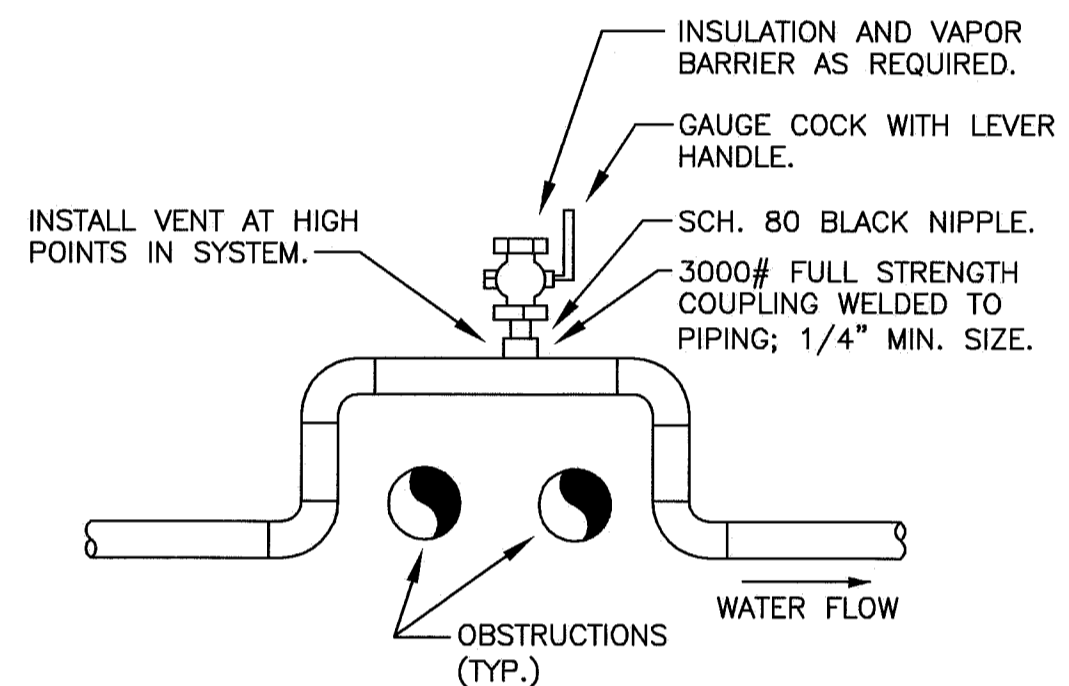
NOT TO SCALE

NOT TO SCALE



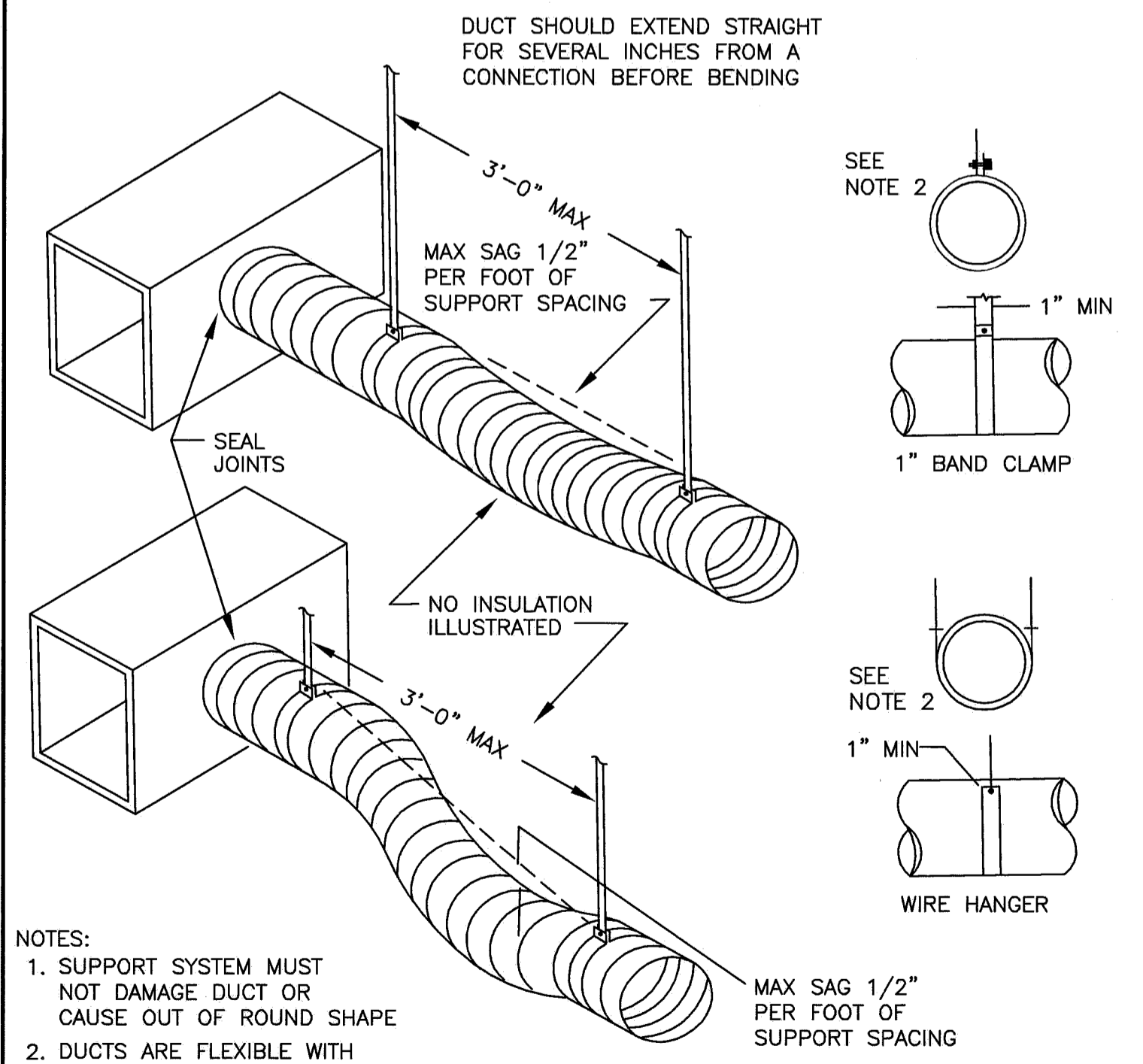
**A1 PIPE PENETRATION DETAILS**

NOT TO SCALE



**F8 HIGH POINT MANUAL AIR VENT DETAIL**

NOT TO SCALE



**NOTES:**  
1. SUPPORT SYSTEM MUST NOT DAMAGE DUCT OR CAUSE OUT OF ROUND SHAPE  
2. DUCTS ARE FLEXIBLE WITH EXTERNAL INSULATION AND VAPOR BARRIER JACKETING  
3. MIN CENTER LINE BEND RADIUS IS ONE DIA, (OR INSIDE RADIUS OF D/2)

**A8 STRAIGHT SECTION FLEXIBLE DUCT SUPPORT REQUIREMENTS**

NOT TO SCALE

144 Page Sheet P.O. Box 0118  
Portland, Maine 04104  
Tel: (207) 773-3846  
Fax: (207) 773-0770  
www.smartinc.com

ARCHITECTURE  
ENGINEERING  
PLANNING  
INTERIOR DESIGN  
CONSTRUCTION

**SMART**

STATE OF MAINE  
MICHAEL J. CHONKO  
NO. 9541  
LICENSED PROFESSIONAL ENGINEER  
9/3/10

Maine Medical Center Cath Lab 5  
PORTLAND, ME  
ISSUED FOR CONSTRUCTION  
9.3.10  
CURRENT ISSUE STATUS

NO.	REV.	DESCRIPTION	DATE

GRAPHIC SCALE:  
0" 1"  
SCALE: NOT TO SCALE  
PROJECT MANAGER: KD  
DRAWN BY: KPFB  
DATE OF RECORD: PWB  
PROJECT NO.: 10006  
DATE: 9.3.10  
SHEET TITLE: DETAILS

SHEET No. M-501