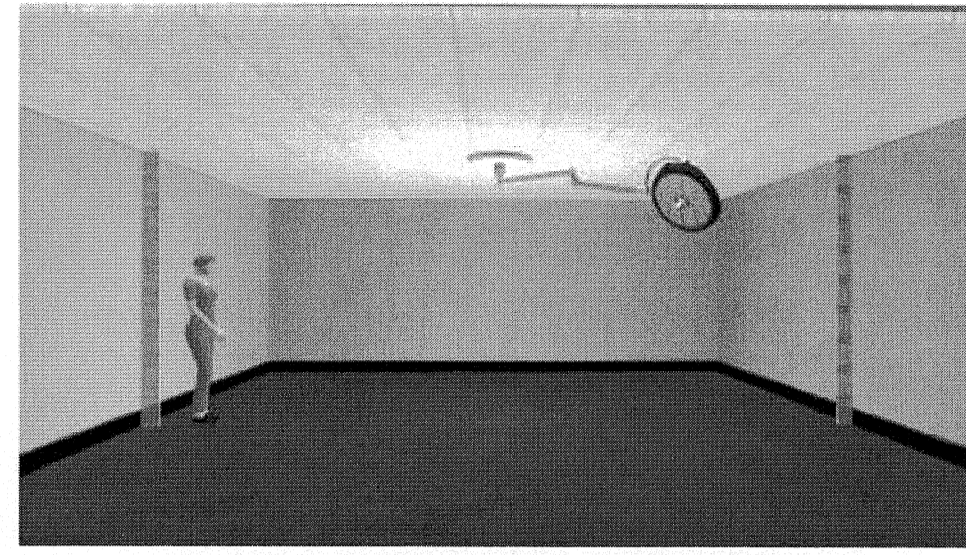


Equipment Drawings

SHT. NO.	CONTENTS
1	Table of Contents
2	Plan & Elevation
3	Special Above Ceiling Mount
4	Support Structure Detail
5	Ceiling Access Detail
6	STERIS vLED (Single Cardanic) Spring Arm and Lighthead

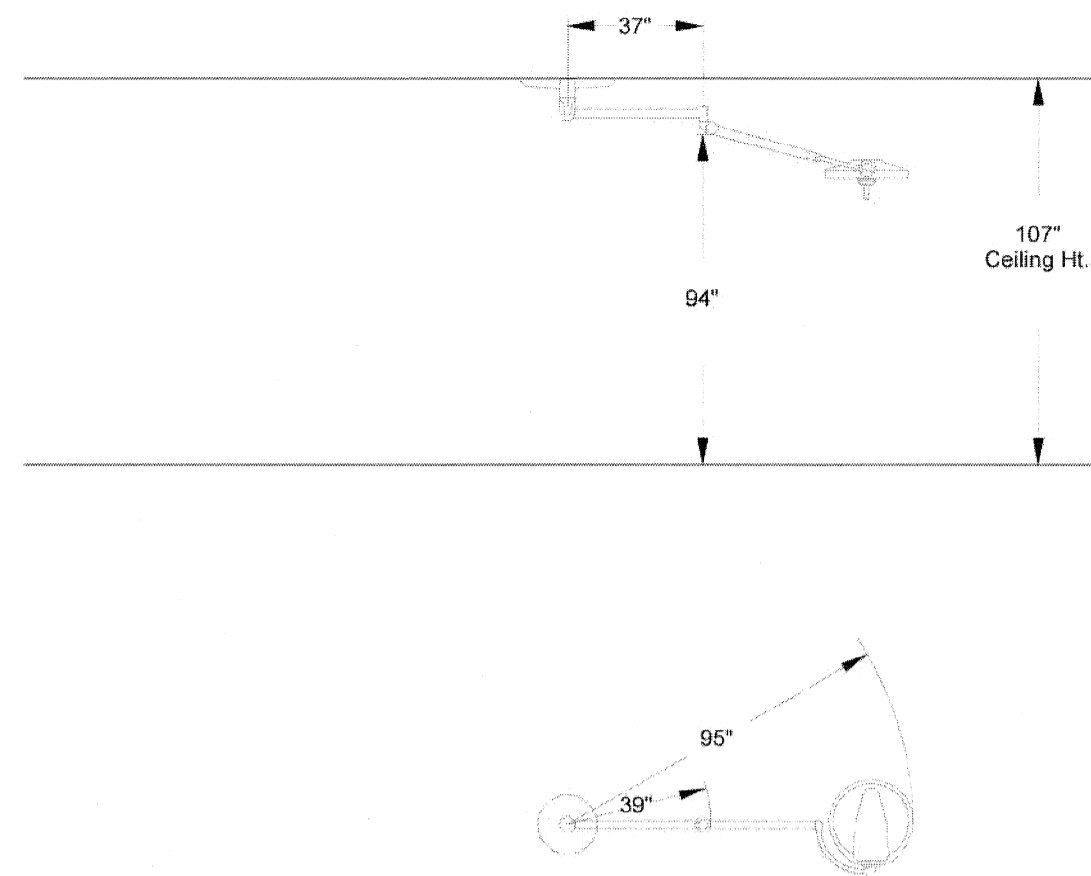


THIS SIGNATURE CONFIRMS EQUIPMENT SPECIFICATIONS AND CEILING HEIGHT CONTAINED IN THIS DOCUMENT AND ACKNOWLEDGES THAT ANY CHANGES MAY RESULT IN ADDITIONAL FEES AND DELAYED DELIVERY.

TITLE: \_\_\_\_\_  
SIGNATURE: \_\_\_\_\_  
DATE: \_\_\_\_\_

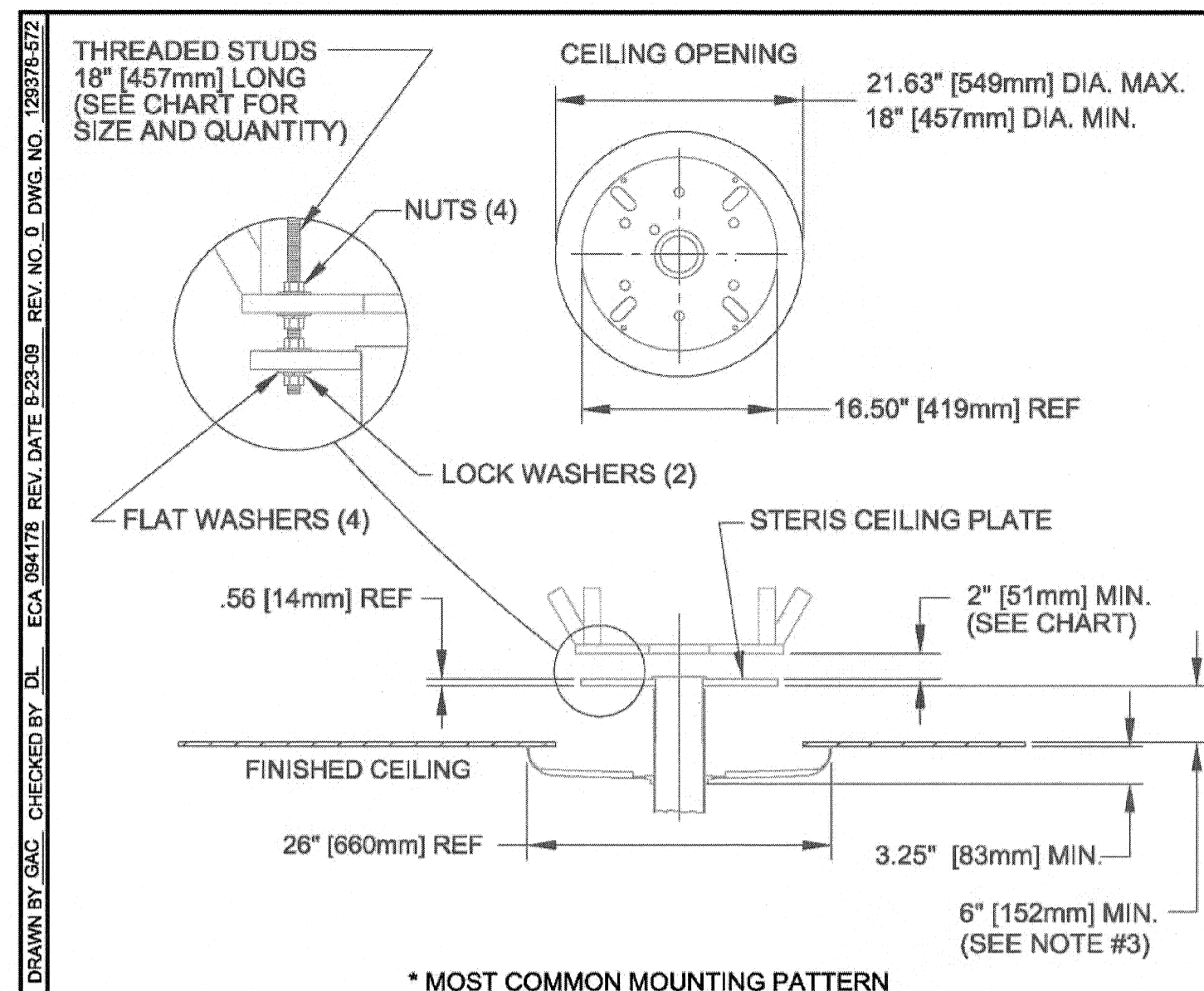
- STERIS RECOMMENDS INSTALLATION DURING EARLY PHASE OF CONSTRUCTION.
- STERIS ASSUMES NO RESPONSIBILITY FOR CHANGES MADE NECESSARY THROUGH FAILURE TO OBSERVE INSTALLATION INSTRUCTIONS. IT IS THE RESPONSIBILITY OF THE CUSTOMER TO INSURE THAT UNITS ARE INSTALLED IN ACCORDANCE WITH STATE AND LOCAL CODE.

ALL DIMENSIONS ARE IN INCHES ALSO REFER TO GENERAL NOTES APPLICABLE TO EQUIPMENT DRAWINGS	<b>TITLE SHEET AND TABLE OF CONTENTS</b>	ACCOUNT NAME MAINE MEDICAL CENTER
<b>STERIS</b> STERIS Corporation Mentor, OH	ANGIO ROOM vLED LIGHTS vLED 1 Arm Light (Single Cardanic)	ACCOUNT LOCATION PORTLAND, ME
	FILE NAME MMC_AngioRoom_vLED	PRINTED DATE 8/23/2010
	SHEET 1 of 6	



Arm Description	Load (lbs)	Moment (ft-lbs)
The structural load and moment force for this configuration is:	120	279

ALL DIMENSIONS ARE IN INCHES ALSO REFER TO GENERAL NOTES APPLICABLE TO EQUIPMENT DRAWINGS	<b>ELEVATION AND PLAN OVERVIEWS</b>	ACCOUNT NAME MAINE MEDICAL CENTER
<b>STERIS</b> STERIS Corporation Mentor, OH	ANGIO ROOM vLED LIGHTS vLED 1 Arm Light (Single Cardanic)	ACCOUNT LOCATION PORTLAND, ME
	FILE NAME MMC_AngioRoom_vLED	PRINTED DATE 8/23/2010
	SHEET 2 of 6	

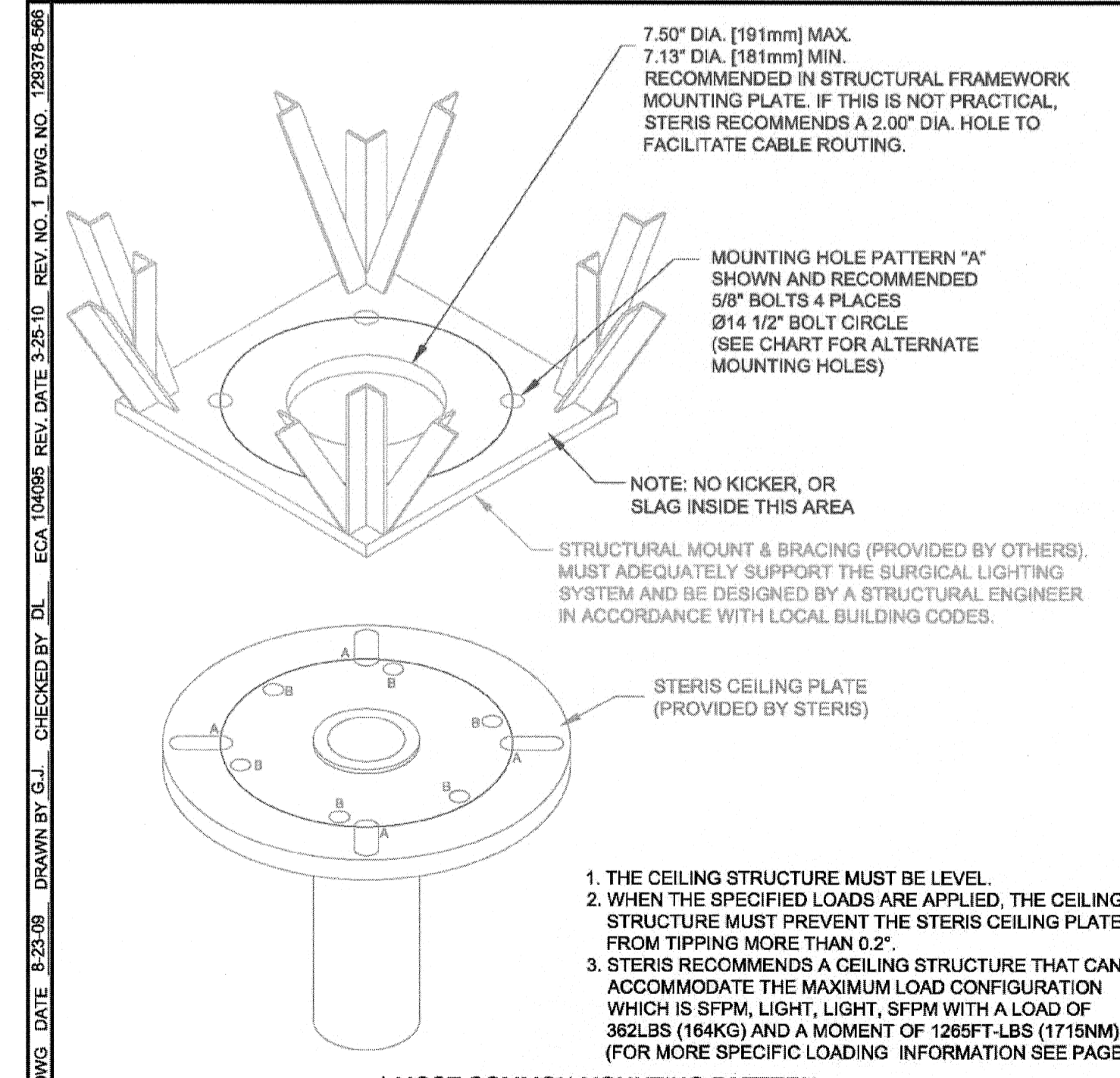


\* MOST COMMON MOUNTING PATTERN

HOLES	BOLT DIA.	QTY.	BOLT CIRCLE DIA.	HOLE TO HOLE	PLATE TO PLATE
A	*5/8" OR 7/8"	4	11.813" [300mm] THRU 14.938" [379mm]	8.38" [213mm] THRU 10.56" [268mm]	7.75" [197mm]
B	5/8"	6	10.625" [270mm]	5.31" [135mm]	7.75" [197mm]

- ALLOW EXTENSION BOLTS OR FULLY THREADED STUDS TO EXTEND 1.25" ± .125" (32MM ± 3.2mm) THROUGH BOTTOM OF STERIS CEILING PLATE. EXTENSION BOLTS OR FULLY THREADED STUDS TO BE CLASS 2B THREAD SAE J429/ASTM A49 GRADE 5 OR ASTM A193 GRADE B7 MATERIAL OR BETTER. CORRESPONDING GRADE NUTS TO BE USED. DO NOT USE TOGGLE BOLTS.
- PLATE TO PLATE DIMENSION IN CHART IS MAX. FOR SEISMIC INSTALLATIONS.
- MAXIMUM DISTANCE IS GOVERNED BY THE VERTICAL TUBE LENGTH.

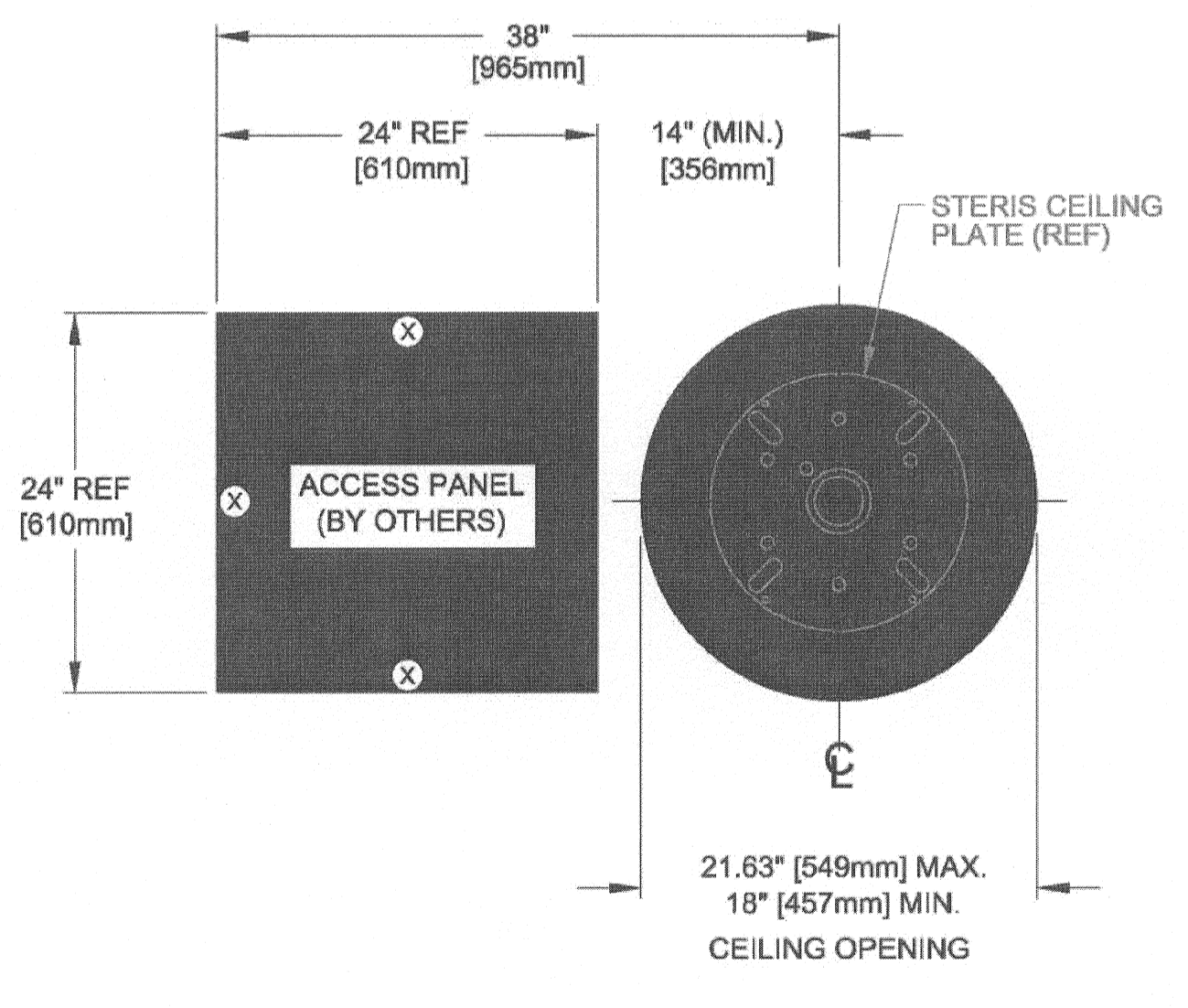
ALL DIMENSIONS ARE IN INCHES ALSO REFER TO GENERAL NOTES APPLICABLE TO EQUIPMENT DRAWINGS	<b>SPECIAL ABOVE CEILING MOUNT DETAIL</b>	ACCOUNT NAME MAINE MEDICAL CENTER
<b>STERIS</b> STERIS Corporation Mentor, OH	ANGIO ROOM vLED LIGHTS vLED 1 Arm Light (Single Cardanic)	ACCOUNT LOCATION PORTLAND, ME
	FILE NAME MMC_AngioRoom_vLED	PRINTED DATE 8/23/2010
	SHEET 3 of 6	



\* MOST COMMON MOUNTING PATTERN

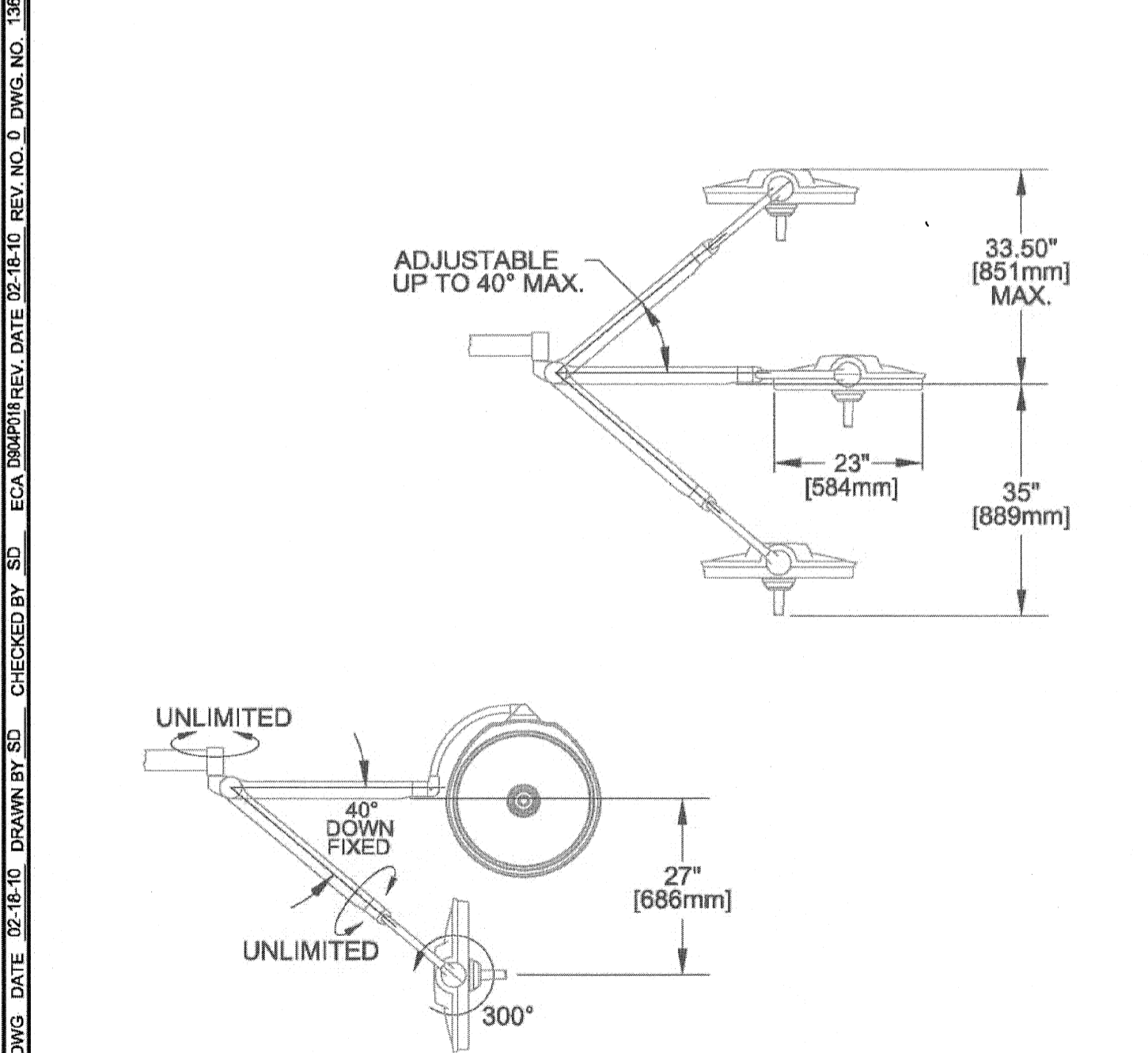
HOLES	BOLT DIA.	QTY.	BOLT CIRCLE DIA.	HOLE TO HOLE	PLATE TO PLATE
A	*5/8" OR 7/8"	4	11.813" [300mm] THRU 14.938" [379mm]	8.38" [213mm] THRU 10.56" [268mm]	7.75" [197mm]
B	5/8"	6	10.625" [270mm]	5.31" [135mm]	7.75" [197mm]

ALL DIMENSIONS ARE IN INCHES ALSO REFER TO GENERAL NOTES APPLICABLE TO EQUIPMENT DRAWINGS	<b>SUPPORT STRUCTURE DETAIL</b>	ACCOUNT NAME MAINE MEDICAL CENTER
<b>STERIS</b> STERIS Corporation Mentor, OH	ANGIO ROOM vLED LIGHTS vLED 1 Arm Light (Single Cardanic)	ACCOUNT LOCATION PORTLAND, ME
	FILE NAME MMC_AngioRoom_vLED	PRINTED DATE 8/23/2010
	SHEET 4 of 6	



- NOTES:
- ⊗ RECOMMENDED HINGE LOCATIONS.
  - WHILE REQUIRED FOR SYSTEMS THAT HAVE MONITORS, IT IS HIGHLY RECOMMENDED THAT A 24" SQUARE HINGED SERVICE ACCESS PANEL BE PROVIDED IN THE CEILING WITHIN 38" OF THE SPINDLE FOR WIRING AND SERVICE ACCESSIBILITY.

ALL DIMENSIONS ARE IN INCHES ALSO REFER TO GENERAL NOTES APPLICABLE TO EQUIPMENT DRAWINGS	<b>CEILING ACCESS DETAIL</b>	ACCOUNT NAME MAINE MEDICAL CENTER
<b>STERIS</b> STERIS Corporation Mentor, OH	ANGIO ROOM vLED LIGHTS vLED 1 Arm Light (Single Cardanic)	ACCOUNT LOCATION PORTLAND, ME
	FILE NAME MMC_AngioRoom_vLED	PRINTED DATE 8/23/2010
	SHEET 5 of 6	



ALL DIMENSIONS ARE IN INCHES ALSO REFER TO GENERAL NOTES APPLICABLE TO EQUIPMENT DRAWINGS	<b>STERIS vLED (SINGLE CARDANIC) SPRING ARM AND LIGHthead</b>	ACCOUNT NAME MAINE MEDICAL CENTER
<b>STERIS</b> STERIS Corporation Mentor, OH	ANGIO ROOM vLED LIGHTS vLED 1 Arm Light (Single Cardanic)	ACCOUNT LOCATION PORTLAND, ME
	FILE NAME MMC_AngioRoom_vLED	PRINTED DATE 8/23/2010
	SHEET 6 of 6	

NOTE: THIS DRAWING WAS NOT PREPARED BY SMRT. IT IS PROVIDED FOR COORDINATION AND REFERENCE PURPOSES ONLY.

144 Free Street P.O. Box 618  
Portland, Maine 04104  
tel. (207) 772-3846  
fax. (207) 772-1070  
www.smrt.com

ARCHITECTURE  
ENGINEERING  
PLANNING  
INTERIOR DESIGN  
COMMISSIONING

**SMRT**

PROJECT NORTH

Bramhall Radiology  
ANGIO RENOVATIONS  
PORTLAND, ME

ISSUED FOR CONSTRUCTION  
8.24.10

CURRENT ISSUE STATUS:

REV.	DATE	DESCRIPTION
0	8.24.10	ISSUED FOR CONSTRUCTION

GRAPHIC SCALE:  
0" = 1"

SCALE:  
PROJECT MANAGER: DIV  
DRAWN BY:  
DATE: 8.24.10

PROJECT NO.: 09022-01  
DATE: 8.24.10

SHEET TITLE:  
VENDOR EQUIPMENT  
DRAWINGS SHEET 10

SHEET No.: Q-010