

FROM	VIA	TO	DESCRIPTION	REMARKS
PANEL	1	MP	ELECTRICAL CONTRACTOR TO SIZE PLUS CASE GROUND	SEE DETAIL "POWER DIAGRAM" SHEET E-501
MP	2	FU1	3#2, 1#2 ISOLATED GROUND AND CONNECT	SEE DETAIL "POWER DIAGRAM" SHEET E-501
MP	3	UPS	ELECTRICAL CONTRACTOR TO SIZE	SEE DETAIL "POWER DIAGRAM" SHEET E-501
UPS	4	SC1	ELECTRICAL CONTRACTOR TO SIZE PLUS CASE GROUND	SEE DETAIL "POWER DIAGRAM" SHEET E-501
UPS	5	XFMR	ELECTRICAL CONTRACTOR TO SIZE	SEE DETAIL "POWER DIAGRAM" SHEET E-501
UPS	6	EPO	ELECTRICAL CONTRACTOR TO SIZE	SEE DETAIL "POWER DIAGRAM" SHEET E-501
RMP	7	UPS	4#16-24 UP TO 500'	SEE DETAIL "POWER DIAGRAM" SHEET E-501
MP	8	EPO	ELECTRICAL CONTRACTOR TO SIZE	SEE DETAIL "POWER DIAGRAM" SHEET E-501
EPO	9	EPO	2#12, PLUS GROUND	EMERGENCY POWER
SC1	10	WL	14-18 AWG	SEE "LIGHTING DETAIL" SHEET E-101
SC1	11	DS	3#12, PLUS GROUND	SEE DETAIL "MMV POWER DIAGRAM" SHEET E-501
PANEL	12	ME1	ELECTRICAL CONTRACTOR TO SIZE (L1,L2,N,G) ALL WIRES TO BE THE SAME SIZE	SEE DETAIL "MMV POWER DIAGRAM" SHEET E-501
ME1	13	MMV	ELECTRICAL CONTRACTOR TO SIZE (L1,L2,N,G) ALL WIRES TO BE THE SAME SIZE	SEE DETAIL "MMV POWER DIAGRAM" SHEET E-501
MMV	14	MV	ELECTRICAL CONTRACTOR TO SIZE WIRES, ALL WIRES TO BE THE SAME SIZE	SEE DETAIL "MMV POWER DIAGRAM" SHEET E-501

GROUNDING NOTES

1) SIEMENS MEDICAL SOLUTIONS EQUIPMENT INVOLVES SOPHISTICATED ELECTRONIC SYSTEMS THAT REQUIRE ATTENTION TO GROUNDING TO ENSURE OPTIMAL EQUIPMENT PERFORMANCE AND RELIABILITY.

2) THE EQUIPMENT GROUND TO THE SIEMENS EQUIPMENT IS SPECIFIED TO BE "ISOLATED" TYPE AS PERMITTED IN NEC 250-96(B) FOR THE REDUCTION OF ELECTRICAL NOISE. TWO (2) SEPARATE GROUND CONDUCTORS ARE REQUIRED:

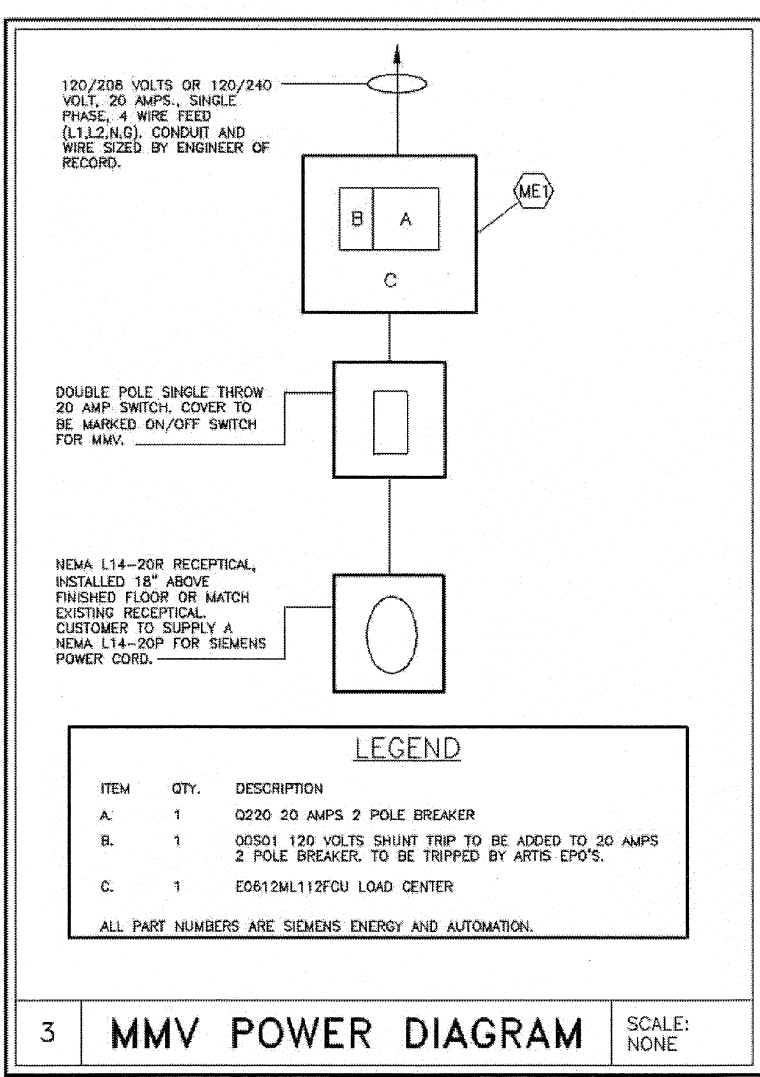
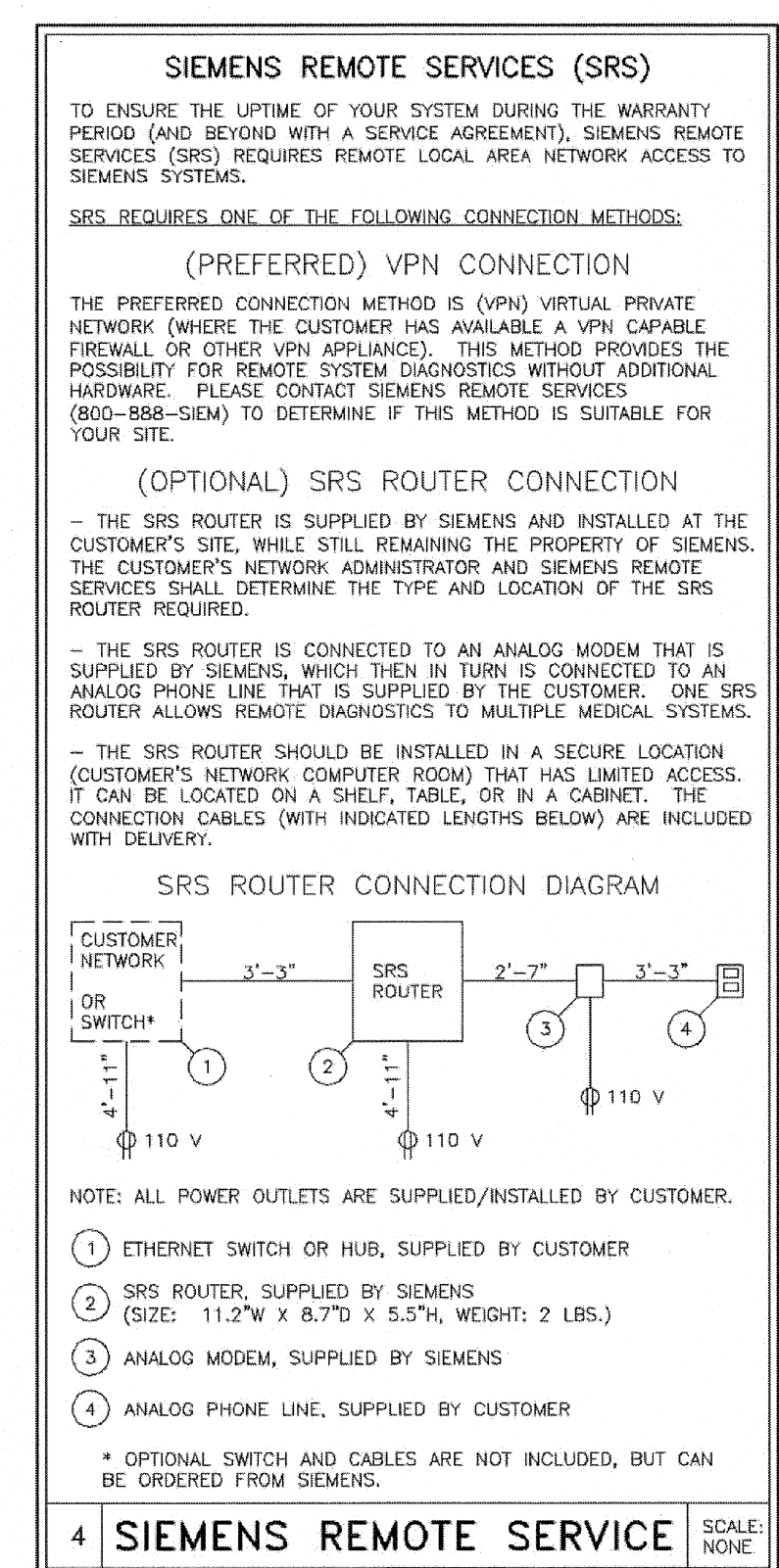
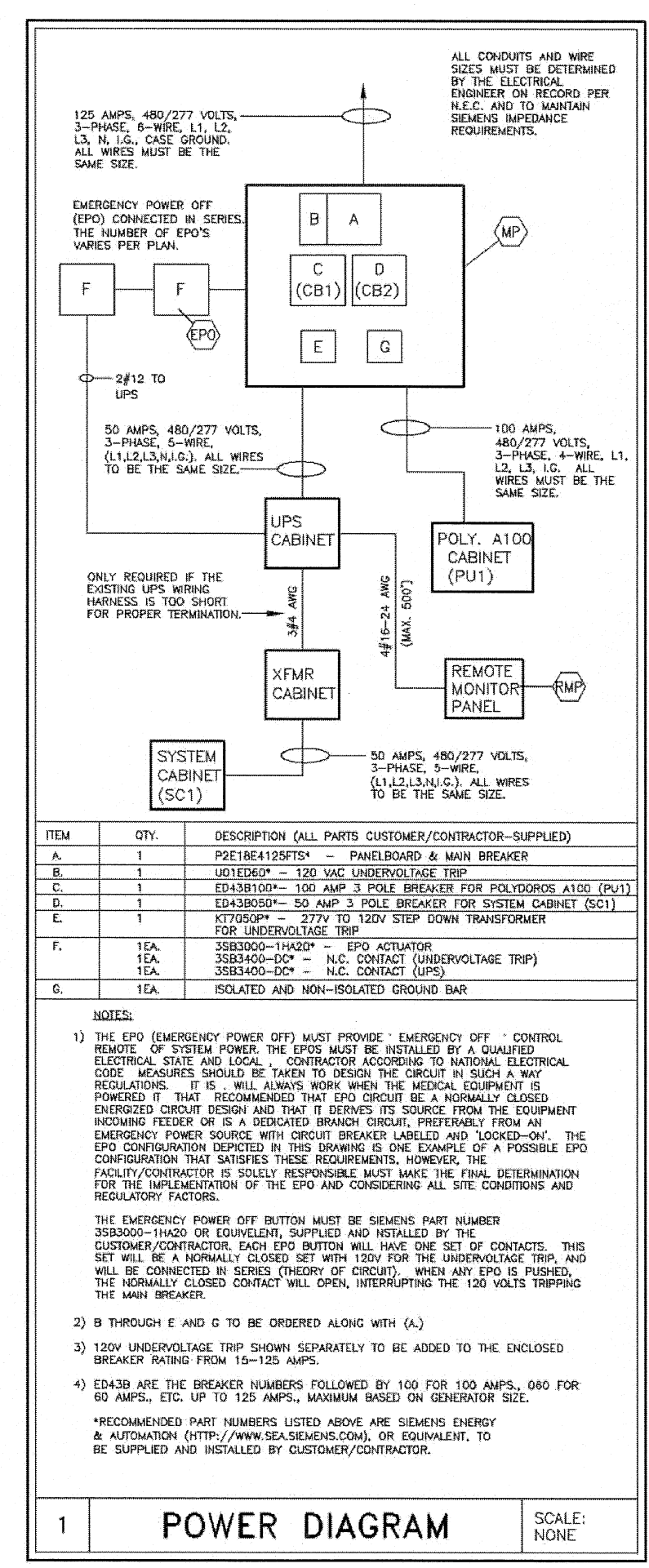
A) A "SAFETY GROUND" OR "GROUND" TO BE THE SAME SIZE AS EQUIPMENT PHASE CONDUCTORS, AND BONDED NORMALLY TO ELECTRICAL BOXES, CONDUITS, AND NON-SIEMENS EQUIPMENT.

B) AN "EQUIPMENT GROUND" OR "ISOLATED GROUND" TO BE THE SAME SIZE AS THE EQUIPMENT PHASE CONDUCTORS, AND INSULATED FROM DELIBERATE OR ACCIDENTAL CONNECTION TO THE "SAFETY GROUND" OR GROUND, BUILDING STEEL OR OTHER UNKNOWN VOLTAGE POTENTIALS EXCEPT AT THE POINT OF GROUNDING ORIGIN.

C) THE "EQUIPMENT GROUND" OR "ISOLATED GROUND" ORIGINATES AT THE MAIN GROUNDING CONNECTION WITHIN THE SIEMENS EQUIPMENT. THE "EQUIPMENT GROUND" OR "ISOLATED GROUND" MUST RUN IN THE SAME CONDUIT, TROUGH, OR RACEWAY AS THE PHASE CONDUCTORS AND "SAFETY GROUND" OR "GROUND".

D) THE "SAFETY GROUND" AND THE "EQUIPMENT GROUND" SHALL BE BONDED AT THE FACILITY SERVICE ENTRANCE, DISTRIBUTION PANEL, OR SEPARATELY DERIVED SOURCE.

3) LOCAL REQUIREMENTS MAY REQUIRE THAT NON-CURRENT CARRYING CONDUCTIVE SURFACES (TROUGH, CONDUITS, BOXES) BE BONDED BY A COPPER CONDUCTOR. THIS REQUIREMENT, IF NECESSARY, IS THE RESPONSIBILITY OF THE CUSTOMER AND CUSTOMER'S CONTRACTORS.



FROM	VIA	TO	DESCRIPTION	REMARKS
P1	15,VD1	FU1	P1 LEFT HAND SIDE	MAXIMUM LENGTH 41"
P1	16,VD1	FU1	(2) HIGH VOLTAGE CABLES P1 LEFT HAND SIDE	MAXIMUM LENGTH 41"
P1	17,VD1	SC1	P1 LEFT HAND SIDE	MAXIMUM LENGTH 37"
P1	18	CU1	MINIMUM BENDING RADIUS 2" P1 LEFT HAND SIDE	MAXIMUM LENGTH 77"
SC1	VD1,CD1,CD2,VD2,HD1	CR1	FOR CONTROL ROOM OPTIONS (CONTROL MODULES, FOOT SWITCH, DISPLAY, ECC)	MAXIMUM LENGTH 62"
SC1	---	SC2	ONLY WITH OR TABLE	MAXIMUM LENGTH 6"
SC2	FD1	T1	ONLY WITH OR TABLE	MAXIMUM LENGTH 45"
SC1	VD1,19	CU1	---	MAXIMUM LENGTH 98"
SC1	---	FU1	---	MAXIMUM LENGTH 16"
SC1	VD1,CD1,CD2,VD3	IS	---	MAXIMUM LENGTH 64"
SC1	24	D1	MTS/DCS	MAXIMUM LENGTH 62"
IS	VD3,CD2,CD1	D1	MTS/DCS	MAXIMUM LENGTH 76"
IS	VD3,CD2,VD2,HD1	CR1	ACE CABLE SET IN EQUIPMENT ROOM	MAXIMUM LENGTH 65"
IS	VD3,CD2,VD2,HD1	CR1	ACE CABLE SET IN EQUIPMENT ROOM	MAXIMUM LENGTH 65"
MV1	---	KEYPAD	MMV BASIC KIT	MAXIMUM LENGTH 9"
MV1	---	CR1	MMV BASIC KIT	MAXIMUM LENGTH 16"
MV1	HD1,VD2,CD2,CD1	D1	MMV BASIC KIT (VGA CABLE)	MAXIMUM LENGTH 82"
MV1	HD1,VD2,CD2,CD1,VD1	SC1	MMV BASIC KIT (GROUND CABLE)	MAXIMUM LENGTH 62"
DTV	---	SYNGO X	SYNGO X STAND-ALONE KIT (VGA CABLE)	MAXIMUM LENGTH 23"
DTV	---	SYNGO X	SYNGO X STAND-ALONE KIT (VGA CABLE)	MAXIMUM LENGTH 16"
DTV	HD1,VD2,CD2,CD1	D1	SYNGO X STAND-ALONE KIT (VGA CABLE)	MAXIMUM LENGTH 82"
MV1	HD1,20	PC	UNIVERSAL INTEGRATION KIT (VGA CABLE)	MAXIMUM LENGTH 16"
MV1	HD1,CRB,FD1	B10	VOLCANO IVUS (INTRAVASCULAR ULTRASOUND)	MAXIMUM LENGTH 98"
CR1	VD2,21	IC	INTERCOM	---
T1	FD1	B10	---	---
CRB	FD1	B10	CUSTOMER PATIENT MONITORING, ETC.	---

ATTENTION:

- THIS DRAWING IS DESIGNED TO CONFORM TO FEATURES AND EQUIPMENT REQUIREMENTS PRESENTED AT THE TIME OF THEIR PREPARATION. SINCE BOTH THESE FACTORS ARE SUBJECT TO DESIGN MODIFICATION, THEY ARE NOT TO BE USED FOR CONSTRUCTION PURPOSES.

- THIS SET OF PLANS REPRESENTS A COMPLETE SET OF DETAILS AND SHOULD NOT BE REPAIRED.

- IT IS RECOMMENDED THAT THE SIEMENS DRAWINGS BE INCORPORATED WITH THE CONSTRUCTION DOCUMENTS FOR REFERENCE.

- ALL DIMENSIONS SHOWN ON THIS DRAWING ARE FROM FINISHED SURFACES.

- THIS DRAWING DOES NOT PROVIDE RADIATION SHIELDING REQUIREMENTS FOR X-RAY AND ASSOCIATED EQUIPMENT. THE CUSTOMER IS RESPONSIBLE FOR CONSULTING WITH A REGISTERED RADIATION PHYSICIST TO SPECIFY RADIATION PROTECTION.



PROJECT MANAGER: RICH DEISTER
TEL: (207) 929-3456
FAX: (207) 929-3776 EXT:
EMAIL: RICHDEISTER@SIEMENS.COM

SIEMENS

MAINE MEDICAL CENTER
22 BRAMHALL STREET, PORTLAND, ME 04102
ANGIO EXAM ROOM #3 B 429- ARTIS ZEE CEILING

PROJECT #: **1001341** SHEET: **E-501**

SHEET 7 OF 8 DRAWN BY: S. DOUGLAS
DATE: 08/19/10 CHECKED: []
SCALE: AS NOTED REF: 30141773

THE USE OR REPRODUCTION OF THIS TITLE BLOCK, WITHOUT SIEMENS AUTHORIZATION, WILL RESULT IN PROSECUTION UNDER FULL EXTENT OF THE LAW.

ALL RIGHTS ARE RESERVED.

DATE	DESCRIPTION
8.24.10	ISSUED FOR CONSTRUCTION
0	REV

GRAPHIC SCALE: 0' 1'

SCALE: PROJECT MANAGER: DIV
DRAWN BY: DIV
DATE OF RECORD: DIV
PROJECT NO: 09022-01
DATE: 8.24.10

SHEET TITLE:
VENDOR EQUIPMENT DRAWINGS SHEET 8

SHEET NO: **Q-008**

NOTE: THIS DRAWING WAS NOT PREPARED BY SMRT. IT IS PROVIDED FOR COORDINATION AND REFERENCE PURPOSES ONLY.