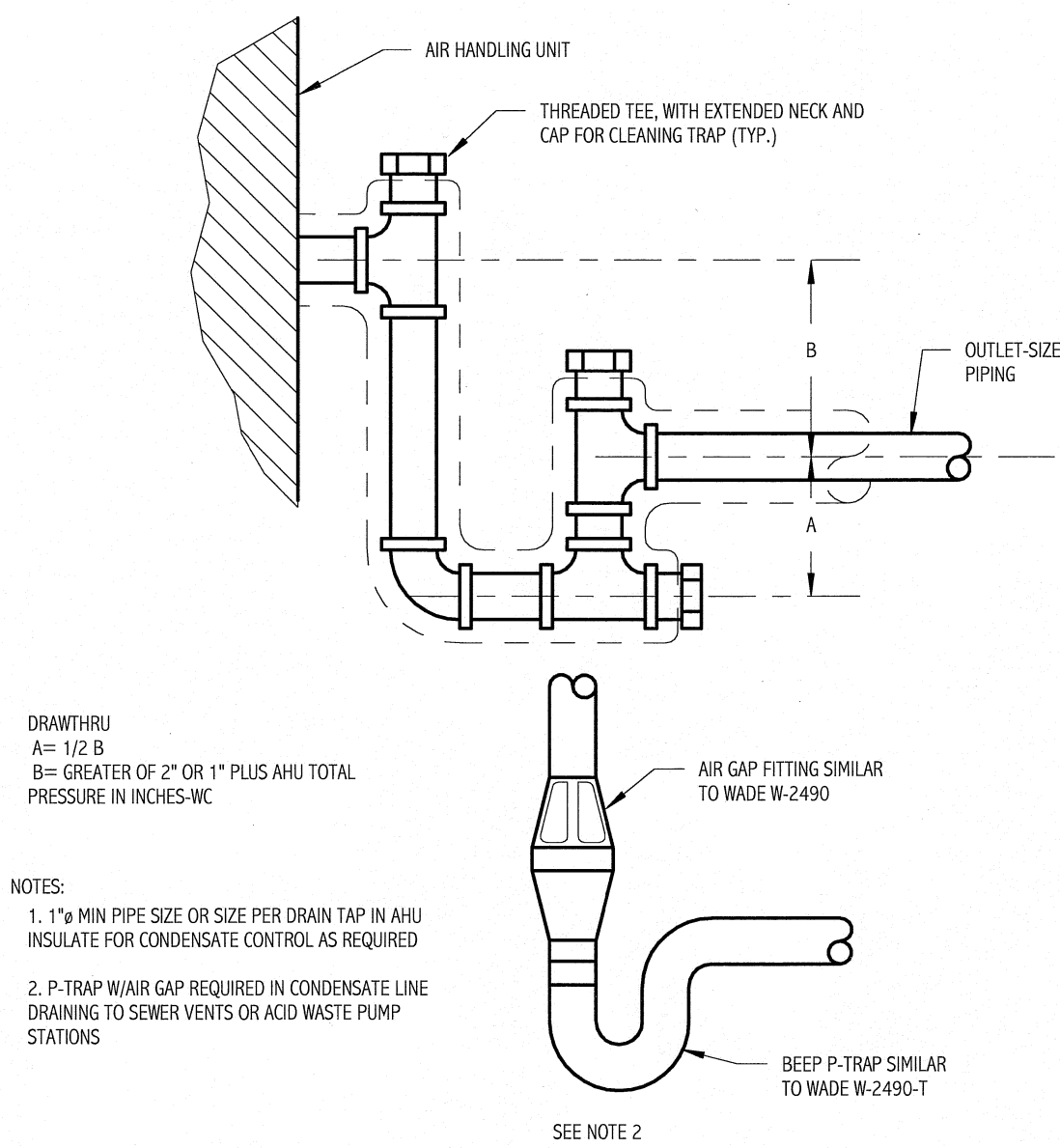
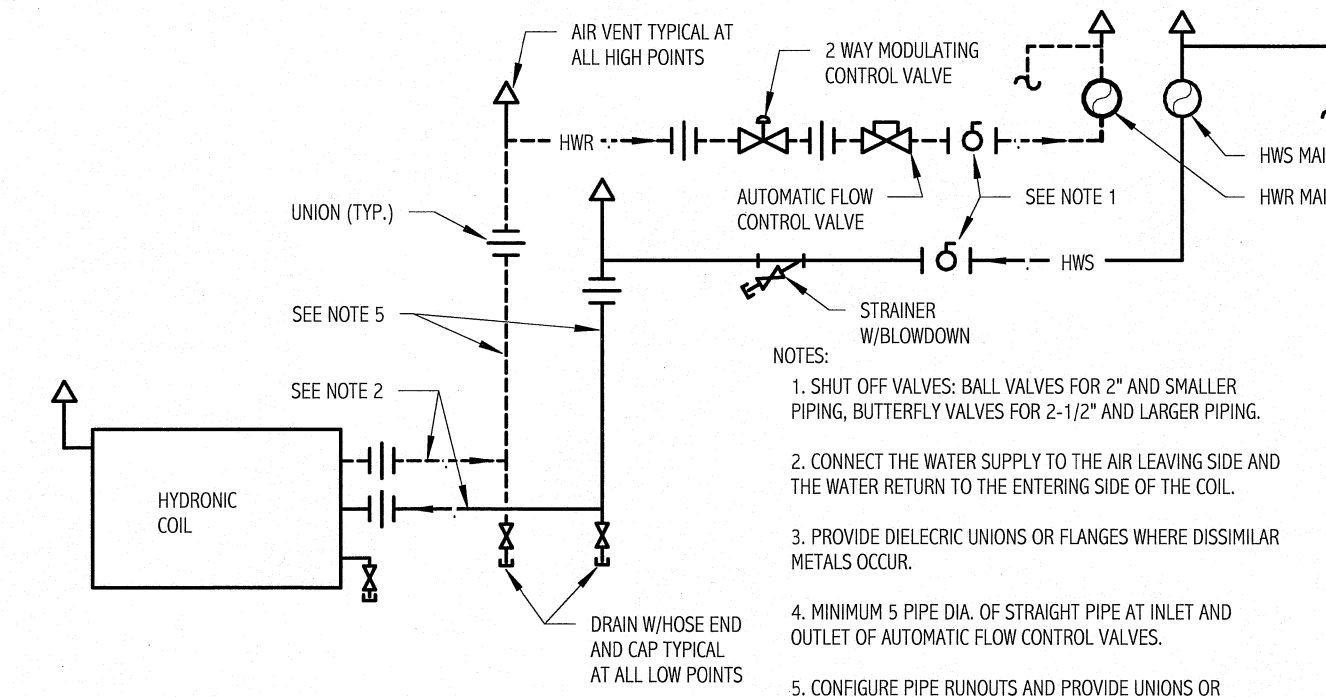


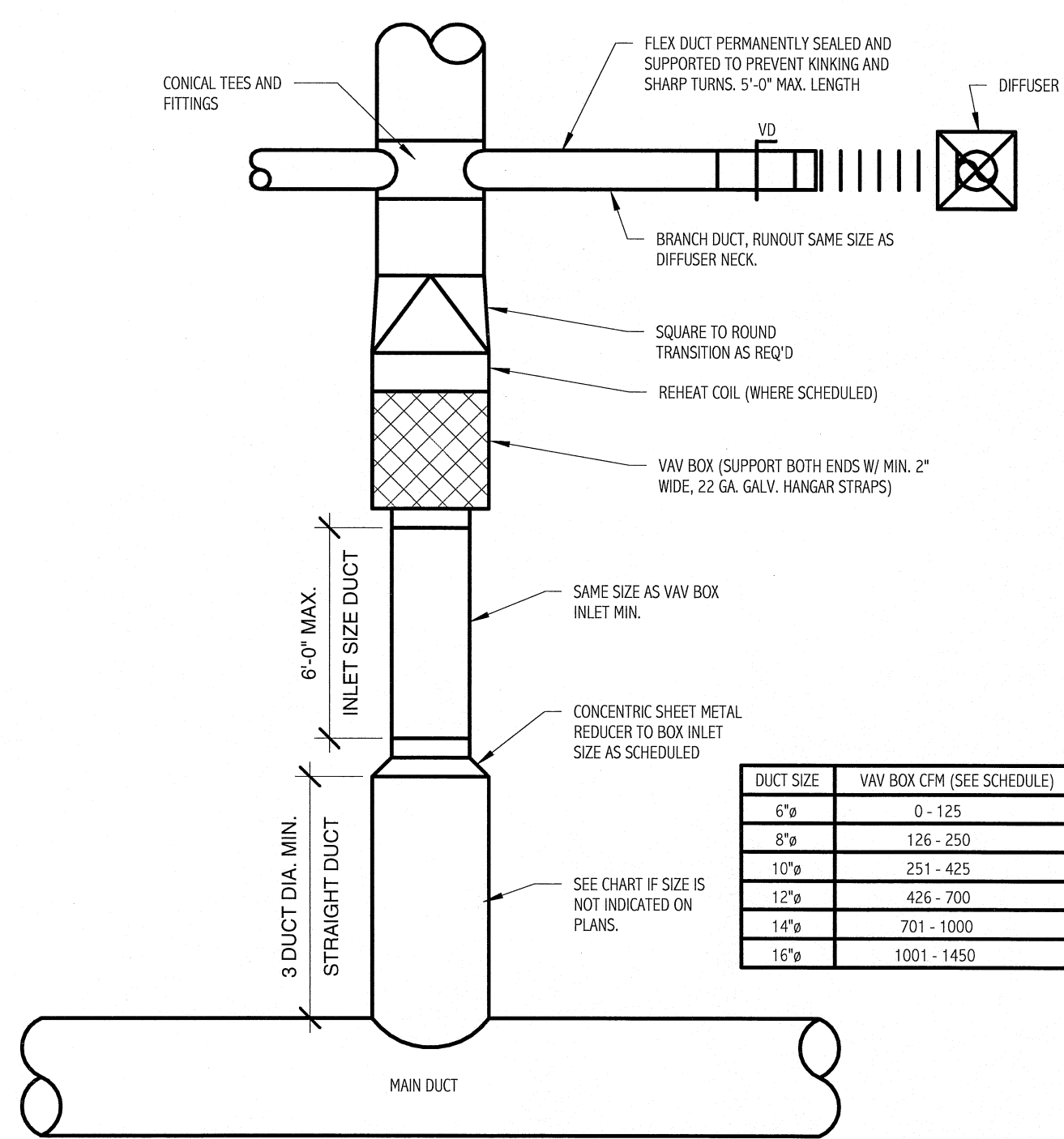
9 DUCT MAIN AND BRANCH TAKE OFF
DETAIL
NOT TO SCALE



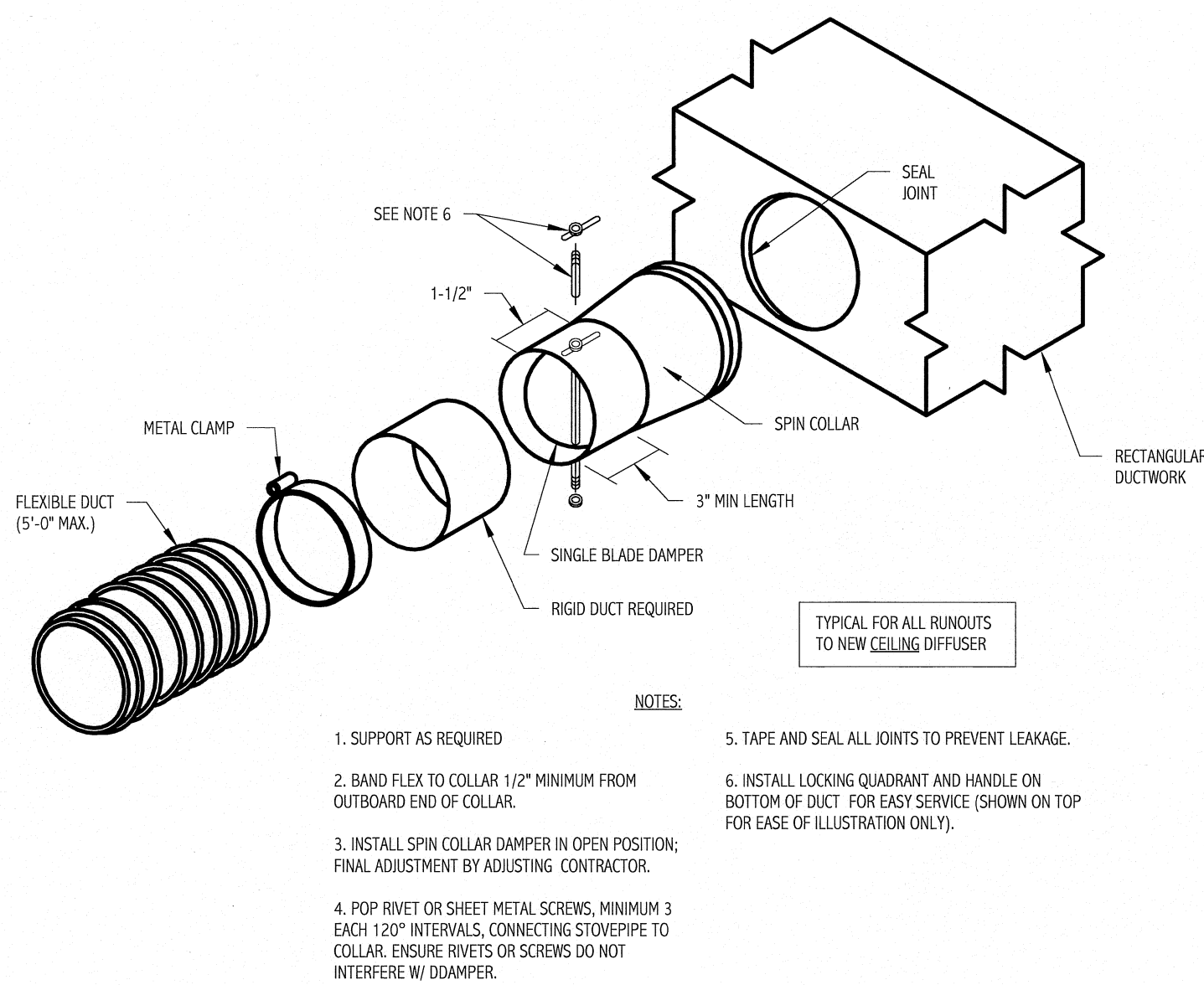
10 CONDENSATE DRAIN TRAP DETAIL
NOT TO SCALE



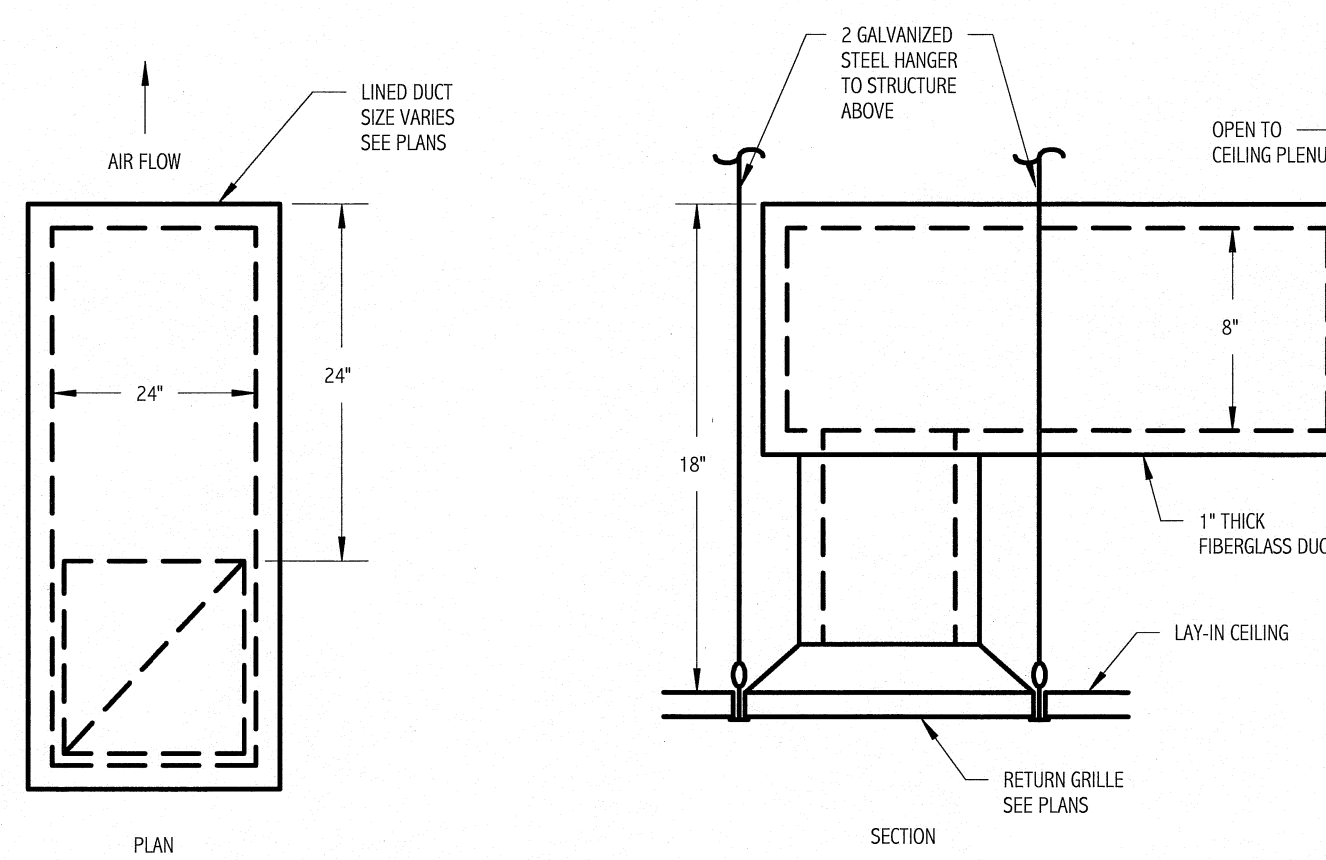
11 REHEAT COIL PIPING DETAIL, TWO WAY
VALVE
NOT TO SCALE



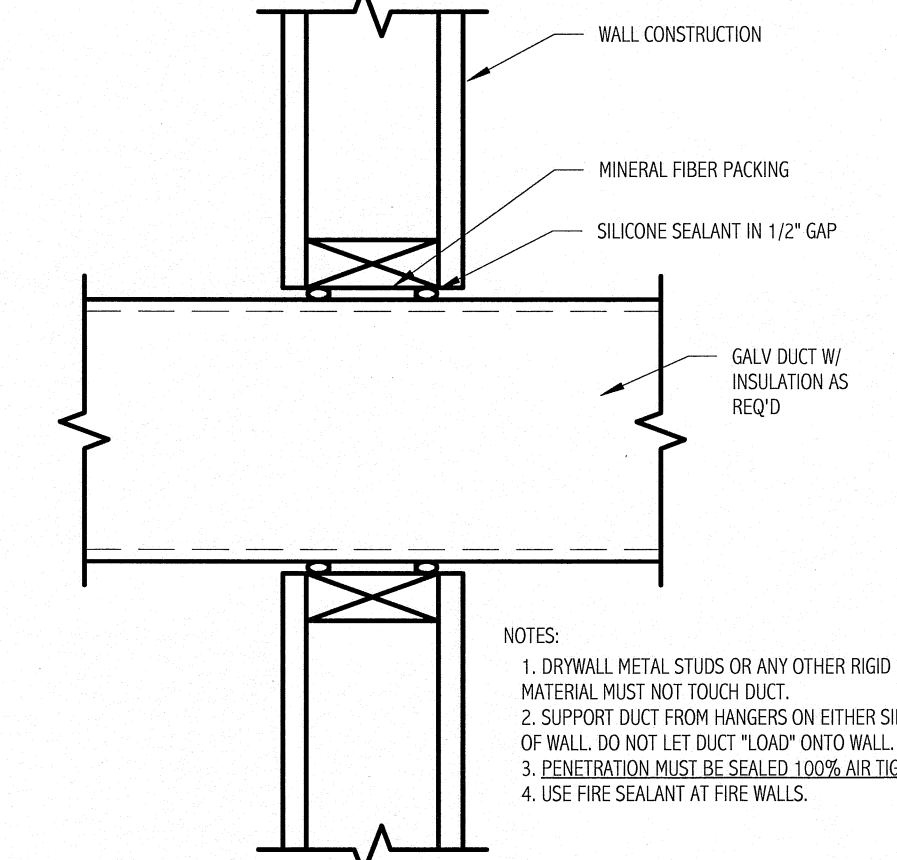
6 VAV BOX DUCTWORK SCHEMATIC
NOT TO SCALE



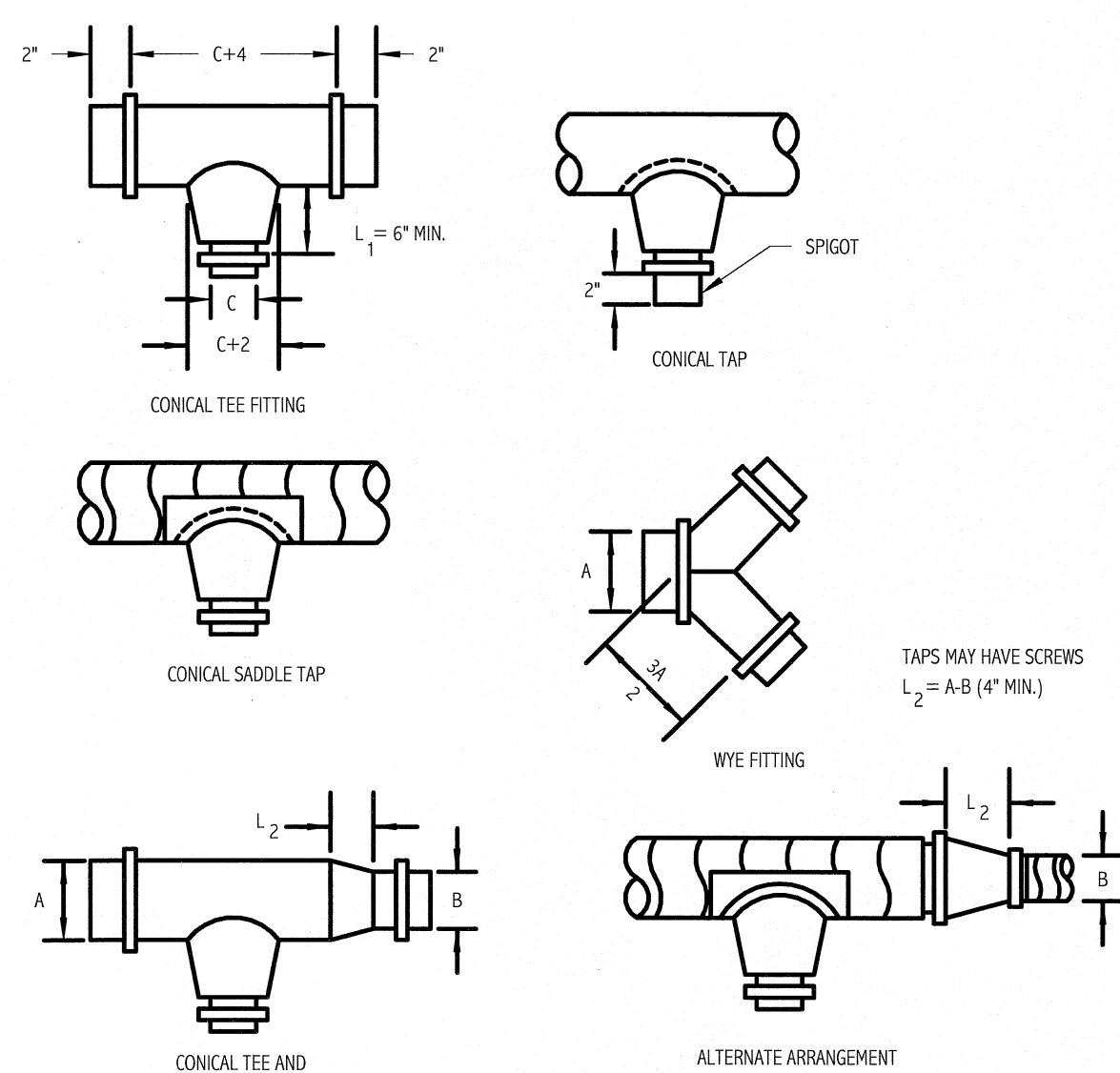
5 SPIN COLLAR DUCT CONNECTOR WITH
DAMPER
NOT TO SCALE



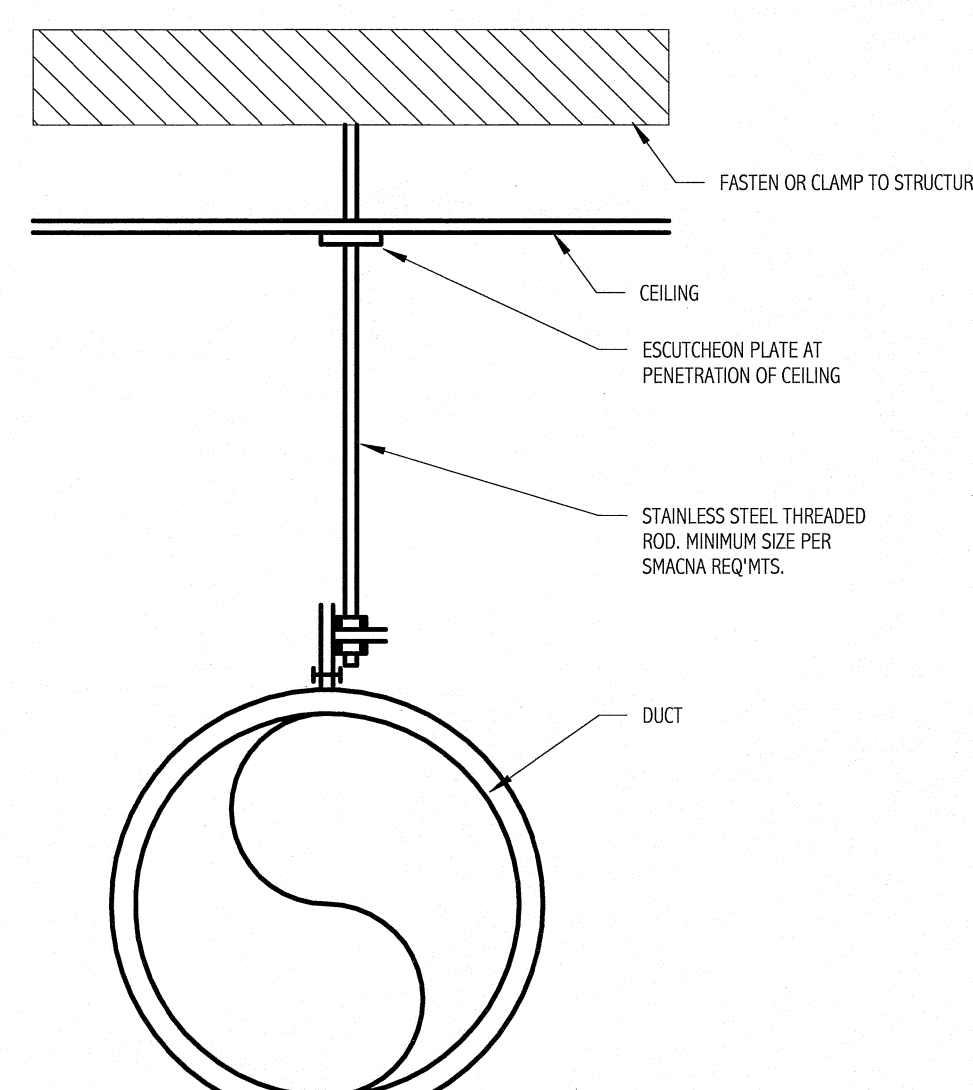
7 RETURN /EXHAUST GRILL AIR BOOT
DETAIL
NOT TO SCALE



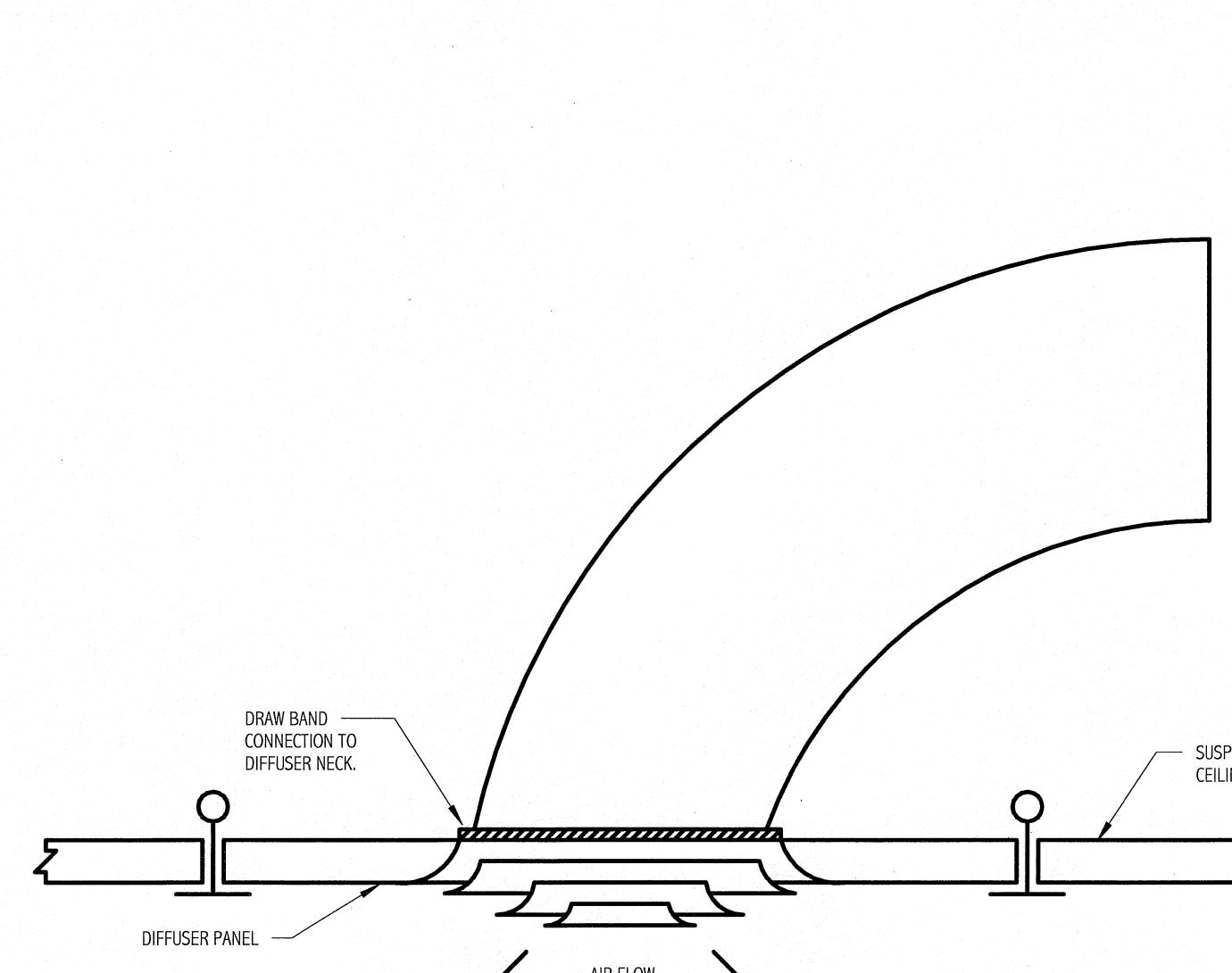
8 METAL DUCT WALL PENETRATION
DETAIL
NOT TO SCALE



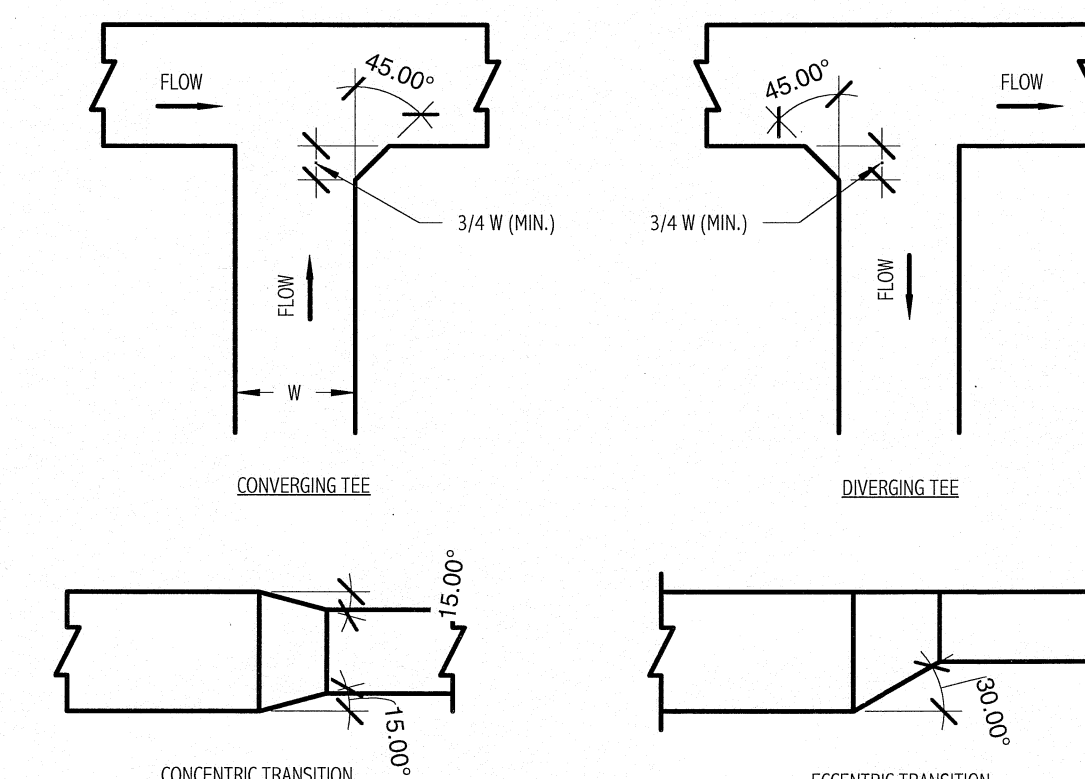
1 CONICAL TEE DETAILS
NOT TO SCALE



2 DUCT HANGER DETAIL
NOT TO SCALE



3 FLEXIBLE DUCT CONNECTION TO
DIFFUSER DETAIL
NOT TO SCALE



4 DUCT TRANSITION DETAILS
NOT TO SCALE

144 First Street P.O. Box 618
Portland, Maine 04104
Tel: (207) 752-3886
Fax: (207) 752-1070
www.smartinc.com

ARCHITECTURE
ENGINEERING
PLANNING
INTERIOR DESIGN
COMMISSIONING

SMART

STATE OF MAINE
TODD L. RICHARDS
No. 9241
LICENSED PROFESSIONAL ENGINEER
g-24-10

Bramhall Radiology
ANGIO RENOVATIONS
PORTLAND, ME

ISSUED FOR CONSTRUCTION
08.24.10

CURRENT ISSUE STATUS

NO.	ISSUED FOR CONSTRUCTION	DATE
0	REV	8.24.10

GRAPHIC SCALE:
0" 1"

SCALE: NOT TO SCALE

PROJECT MANAGER: DIV
IC/DRAWN BY: KFB
A/E OF RECORD: TAC
PROJECT NO: 09022-01
DATE: 08.24.10

SHEET TITLE:
MECHANICAL DETAILS

SHEET No:
M-501