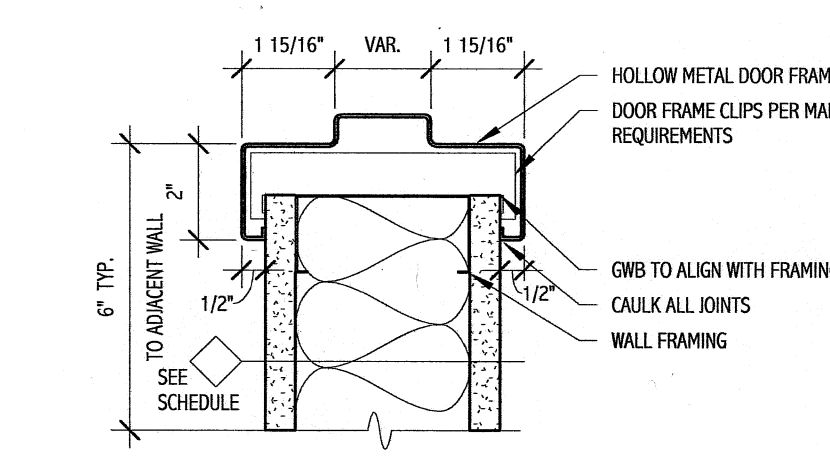


1 DOOR HEAD DETAIL
3" = 1'-0"



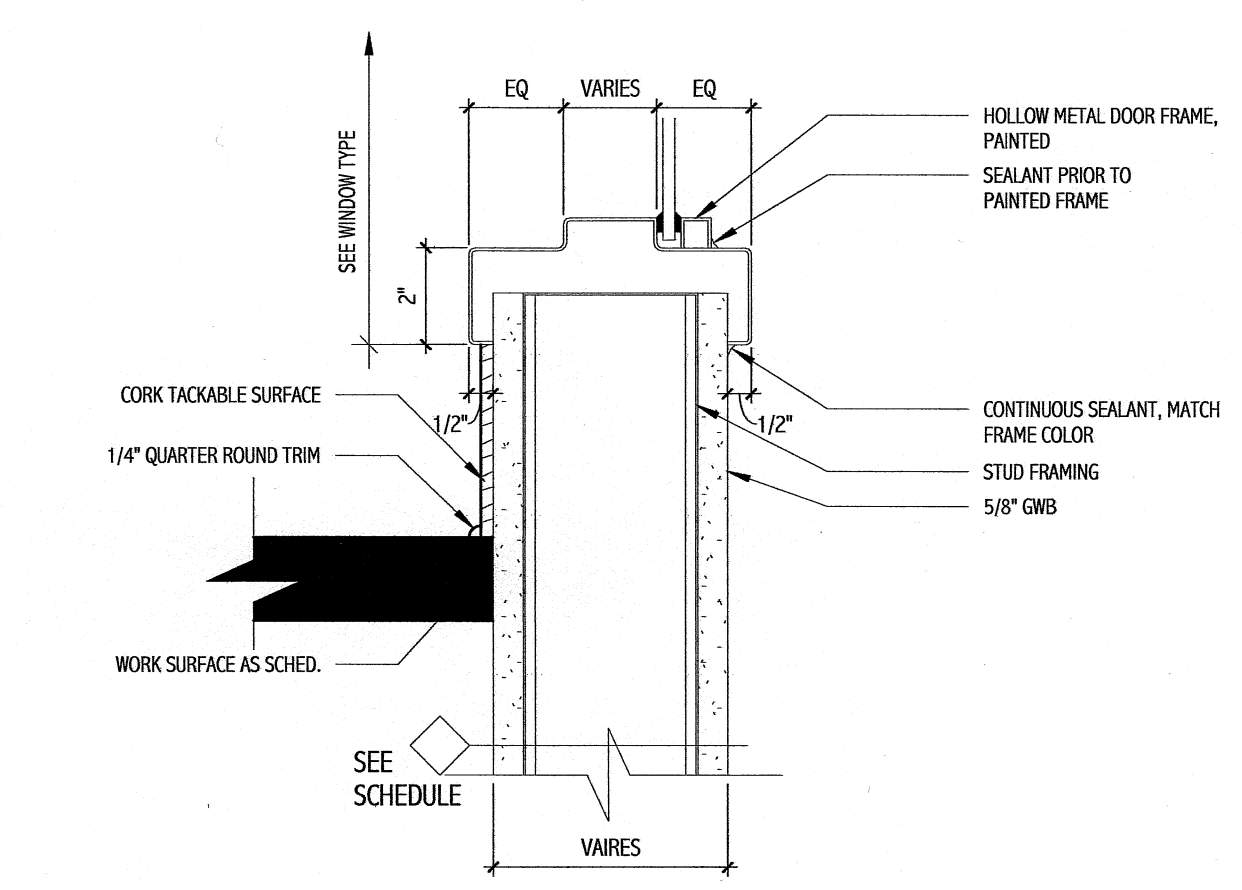
2 DOOR JAMB DETAIL
3" = 1'-0"

DOOR AND FRAME SCHEDULE (ANGIO)															
DOOR #	DOOR				FRAME									FIRE RATING	REMARKS
	WIDTH	HEIGHT	THICK	MAT'L	ELEV	GLAZ	MAT'L	ELEV	HEAD	JAMB	SILL	HARDWARE SET			
B407	3'-0"	7'-0"	1 3/4"	WD	F		HM	1	1/A-601	2/A-601	-	HW-1			
B419	3'-0"	7'-0"	1 3/4"	WD	F		HM	1	1/A-601	2/A-601	-	HW-2			
B421	3'-0"	7'-0"	1 3/4"	WD	F		HM	1	1/A-601	2/A-601	-	HW-2			
B427D	EXISTING	EXISTING	EXISTING												
B429A	EXISTING	EXISTING	EXISTING												
B429B	3'-0"	7'-0"	1 3/4"	WD	F		HM	1	1/A-601	2/A-601	-	HW-3	1/16" LEAD LINED		
B429C	3'-0"	7'-0"	1 3/4"	WD	NG	TEMP	HM	1	1/A-601	2/A-601	-	HW-7			
B430	EXISTING	EXISTING	EXISTING												
B432A	3'-6"	7'-0"	1 3/4"	WD	F		HM	1	1/A-601	2/A-601	-	HW-2			
B432B	3'-6"	7'-0"	1 3/4"	WD	F		HM	1	1/A-601	2/A-601	-	HW-2			
B433	5'-0"	7'-0"	1 3/4"	WD	NG	TEMP	HM	1	1/A-601	2/A-601	-	HW-8	1'-0" x 7'-0", 4'-0" x 7'-0", 1/16" LEAD LINED		
B434	EXISTING	EXISTING	EXISTING												
B436	3'-0"	7'-0"	1 3/4"	WD	F		HM	1	1/A-601	2/A-601	-	HW-7			
B437	7'-0"	7'-0"	1 3/4"	WD	F		HM	1	1/A-601	2/A-601	-	HW-1	(2) 3'-6" x 7'-0"		
B438	3'-0"	7'-0"	1 3/4"	WD	F		HM	1	1/A-601	2/A-601	-	HW-7			
B439	3'-0"	7'-0"	1 3/4"	WD	NG	TEMP	HM	1	1/A-601	2/A-601	-	HW-2			
B440	3'-0"	7'-0"	1 3/4"	WD	F		HM	1	1/A-601	2/A-601	-	HW-1			
B442	6'-0"	7'-0"	1 3/4"	WD	F		HM	1	1/A-601	2/A-601	-	HW-10	(2) 3'-0" x 7'-0"		
B444	3'-0"	7'-0"	1 3/4"	WD	NG	TEMP	HM	1	1/A-601	2/A-601	-	HW-10			
B446	EXISTING	EXISTING	EXISTING												
B448	EXISTING	EXISTING	EXISTING												
B450	EXISTING	EXISTING	EXISTING												
B451	3'-0"	7'-0"	1 3/4"	WD	F		HM	1	1/A-601	2/A-601	-	HW-2			
B452	EXISTING	EXISTING	EXISTING												
B459	3'-0"	7'-0"	1 3/4"	WD	NG	TEMP	HM	1	1/A-601	2/A-601	-	HW-5	45		
B455	EXISTING	EXISTING	EXISTING												
B456	3'-0"	7'-0"	1 3/4"	WD	F		HM	1				HW-9			
B456A	3'-0"	7'-0"	1 3/4"	WD	F		HM	1	1/A-601	2/A-601	-	HW-6			

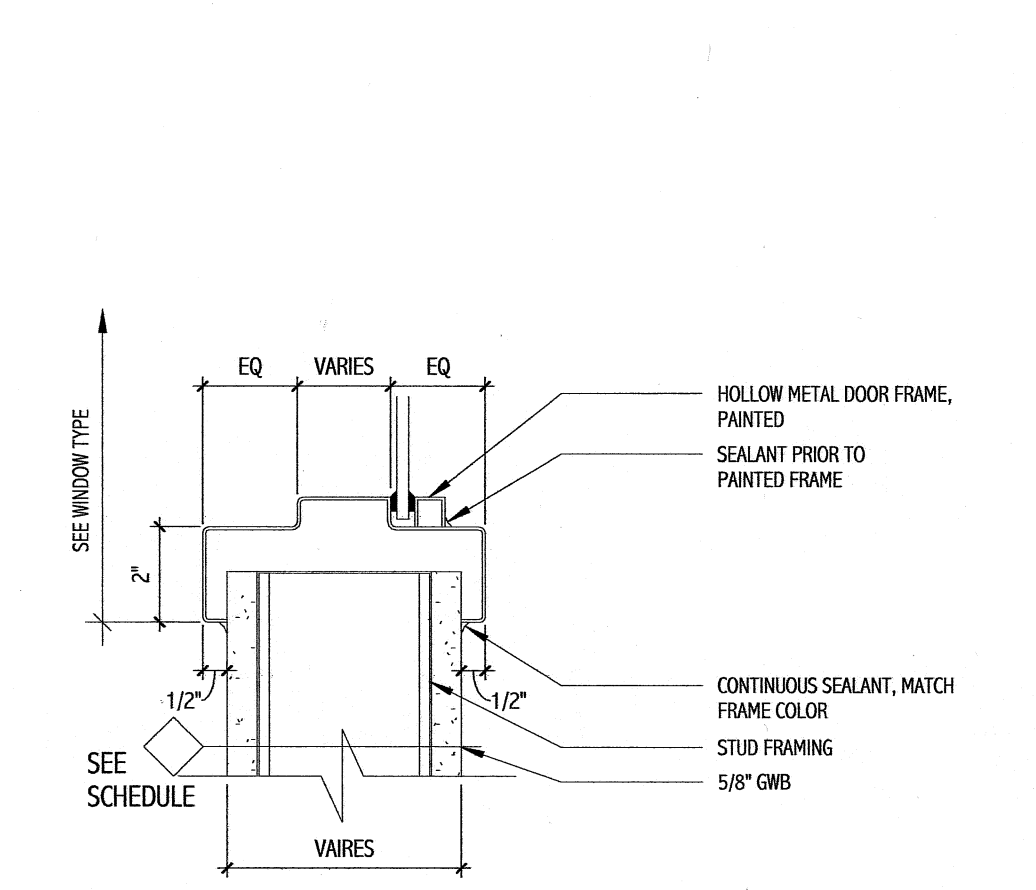
DOOR AND FRAME SCHEDULE (ANGIO)															
DOOR #	DOOR				FRAME									FIRE RATING	REMARKS
	WIDTH	HEIGHT	THICK	MAT'L	ELEV	GLAZ	MAT'L	ELEV	HEAD	JAMB	SILL	HARDWARE SET			
GC-B115	7'-0"	7'-0"	1 3/4"	WD	HG	TEMP	HM	2				HW-4	(2) 3'-6" x 7'-0"		
GC-B120A	EXISTING	EXISTING	EXISTING												
ST-B19	EXISTING	EXISTING	EXISTING												

DOOR HARDWARE:

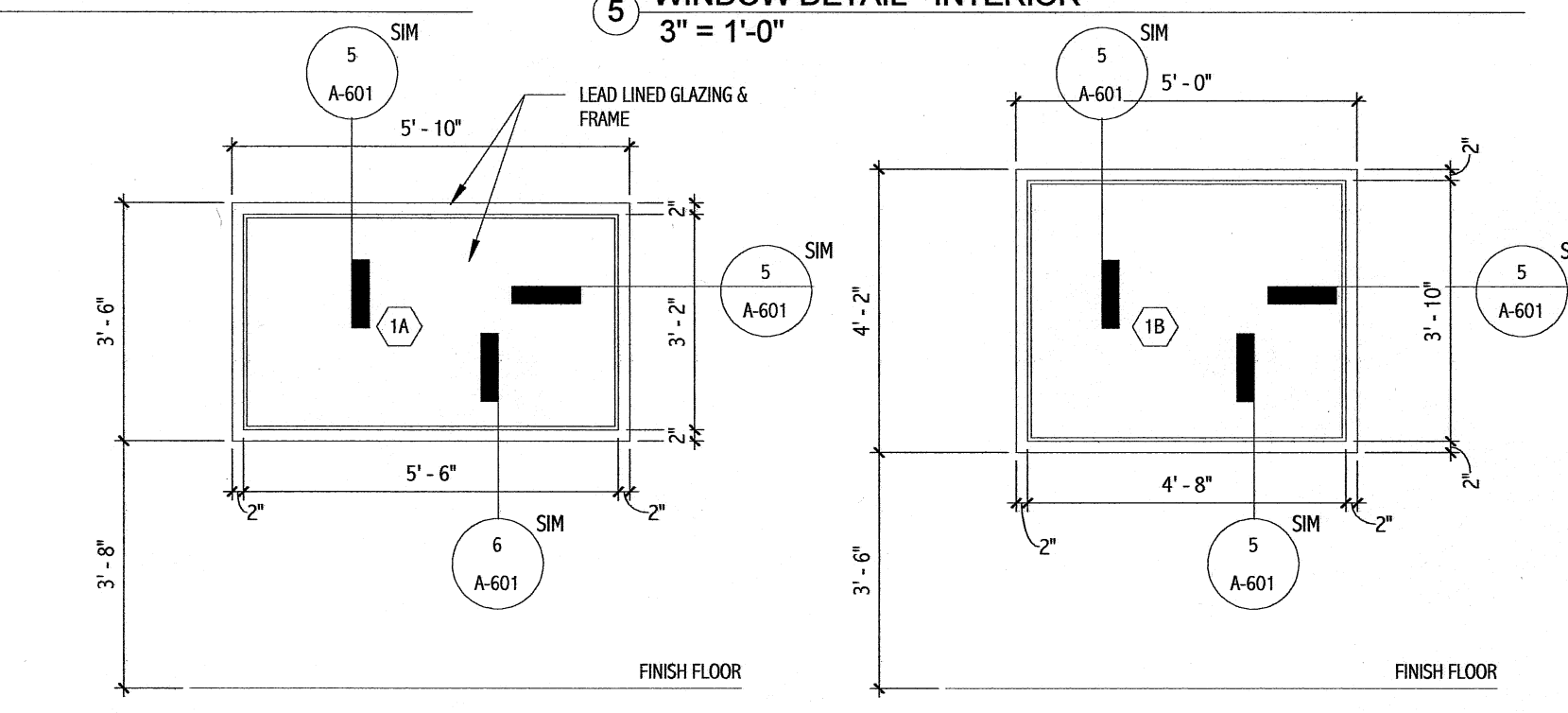
- HW-1 (STAFF) - HINGES, LOCKSET (STORAGE FUNCTION), ELECTRIC STRIKE ACTIVATED BY CARD READER (BY OTHERS), CLOSER, STOP, REMOVABLE MULLION AT DOUBLE DOORS, FLUSH BOLTS (FLOOR & HEAD) AT INACTIVE LEAFS.
- HW-2 (STORAGE) - HINGES, LOCKSET (STORAGE FUNCTION), CLOSER, STOP, ARMOR PLATE (CORRIDOR SIDE), PROVIDE FLOOR & HEADER FLUSH BOLTS AT INACTIVE LEAFS. PROVIDE CLOSERS AT INACTIVE LEAFS.
- HW-3 (PASSAGE) - HINGES, LATCHSET (PASSAGE FUNCTION), KICK PLATE, STOP
- HW-4 (PUSH PAD DOORS) - HINGES, POWER DOOR OPERATOR WITH TWO PUSH PADS, CLOSERS, EXIT DEVICES, PUSH PLATES, PULLS, STOPS
- HW-5 (SOILED UTILITY) - HINGES, HOSPITAL LATCH (PASSAGE FUNCTION), CLOSER, ARMOR PLATE, STOP
- HW-6 (STORAGE) - HINGES, LOCKSET (STORAGE FUNCTION), ARMOR PLATE, STOP
- HW-7 (OFFICE) - HINGES, LOCKSET (OFFICE FUNCTION), KICK PLATE, STOP
- HW-8 (OR DOOR) - HINGES, HOSPITAL LATCH (PASSAGE), ARMOR PLATE, FLUSH BOLTS (FLOOR & HEAD) AT INACTIVE LEAF, STOPS
- HW-9 (EXAM ROOM) - HINGES, HOSPITAL LATCH (PASSAGE), KICKPLATE, STOP
- HW-10 (PUSH BUTTON LOCKSET) - HINGES, PUSH BUTTON LOCKSET (STORAGE), CLOSER, STOP



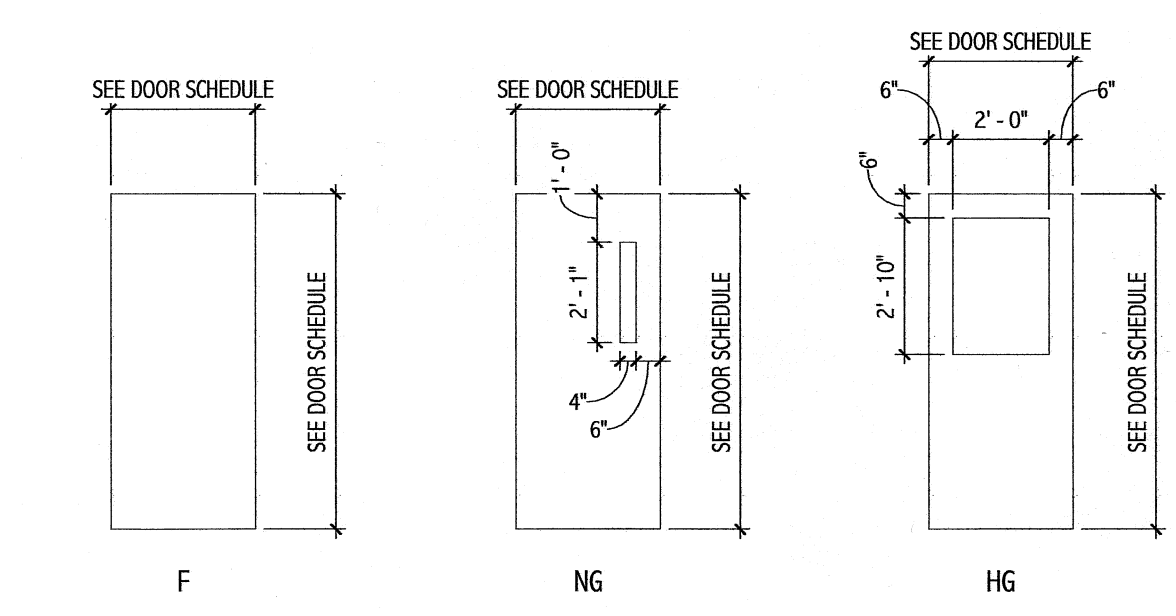
6 WINDOW DETAIL - INTERIOR
3" = 1'-0"



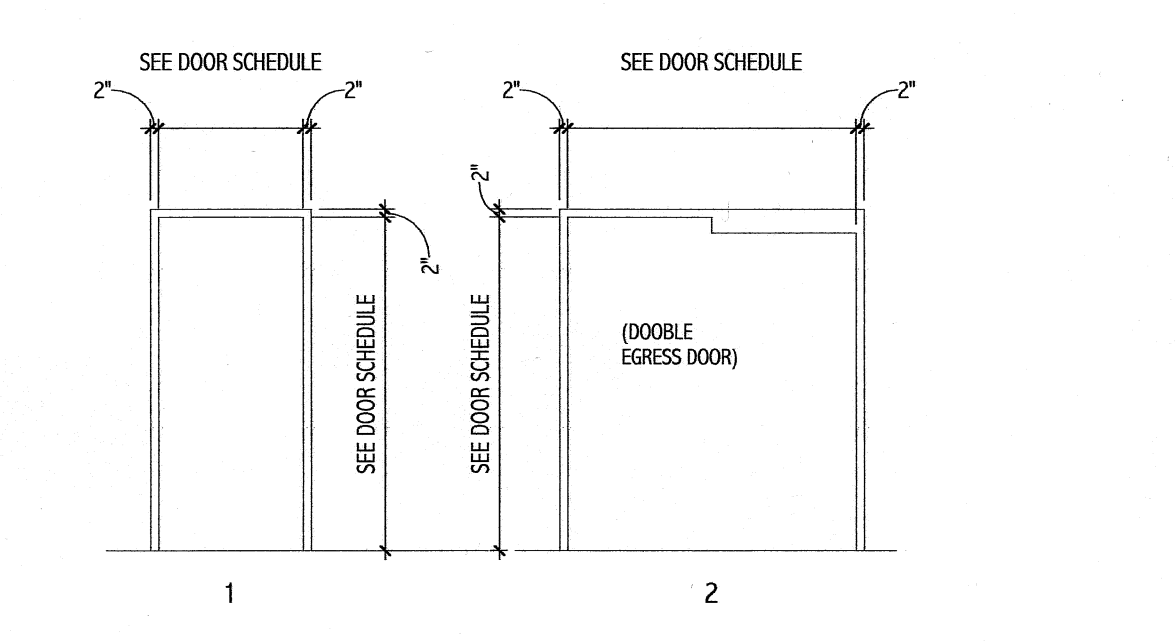
5 WINDOW DETAIL - INTERIOR
3" = 1'-0"



3 WINDOW LEGEND
3/8" = 1'-0"



4 DOOR LEAF TYPES
1/4" = 1'-0"



3 DOOR FRAME TYPES
1/4" = 1'-0"

- DOOR NOTES:**
- REFER TO SPECIFICATIONS FOR DOOR HARDWARE SETS.
 - ALL SWING DOORS SHALL BE 1-3/4" THICK UNLESS OTHERWISE NOTED.
 - ALL DOORS SHALL BE 3/4" UNDERCUT (TYP.) EXCEPT WHEN THERE IS A BOTTOM FRAME, SILL, THRESHOLD OR SPECIFICALLY NOTED OTHERWISE.
 - ALL DOORS WITH BOTTOM FRAMES OR SILL THRESHOLDS SHALL HAVE MANUFACTURERS RECOMMENDED STANDARD UNDERCUT.
 - GLAZING NOTED ON DOOR SCHEDULE IS FOR THE DOOR AND SIDELIGHTS IN THE FRAME (TYP).
 - PROVIDE MMC STANDARD DOOR HARDWARE SYSTEMS & MANUFACTURERS.
 - PROVIDE WALL STOPS WHEREVER POSSIBLE. WHERE NOT POSSIBLE, REVIEW FLOOR STOP LOCATIONS WITH OWNER.

144 Elm Street, Box 618
Portland, Maine 04104
Tel: (207) 772-3846
Fax: (207) 772-1070
www.angio.com

ARCHITECTURE
ENGINEERING
PLANNING
INTERIOR DESIGN
COMMISSIONING

SMRT

LICENSED ARCHITECT
DEREK J. VEILLEUX
No. 3185
STATE OF MAINE
8.24.10

PROJECT NORTH

Bramhall Radiology
ANGIO RENOVATIONS
PORTLAND, ME

ISSUED FOR CONSTRUCTION
8.24.10

CURRENT BASE STATUS:

NO.	DATE	DESCRIPTION
1	8.24.10	ISSUED FOR CONSTRUCTION

GRAPHIC SCALE:
0" 1"

SCALE: As Indicated

PROJECT MANAGER: DV

ARCHITECT: ART

DATE OF RECORD: DW

PROJECT NO.: 09022-01

DATE: 8.24.10

SHEET TITLE:
DOOR SCHEDULE & DETAILS

SHEET No. **A-601**