

Nucletron Corporation

NUCLETRON RETAINS EXCLUSIVE COPYRIGHT TO ALL INFORMATION RELEASED HEREIN. ALL EQUIPMENT AND INFORMATION SHOWN IS CONSIDERED CONFIDENTIAL AND THE EXCLUSIVE PROPERTY OF THE NUCLETRON CORPORATION. DOCUMENTATION WILL NOT BE MODIFIED, DUPLICATED, OR RESOLD TO THIRD PARTY VENDORS, IN PART OR ENTIRETY, WITHOUT EXPRESS PERMISSION OF NUCLETRON.

NUCLETRON CORPORATION
 8671 ROBERT FULTON DRIVE
 COLUMBIA, MD 21046-2133

TELEPHONE: (800) 336-2249
 FAX: (410) 312-4196

Project Name and Location
Maine Medical Center
 Portland, ME

NO.	REVISION/ISSUE	DATE

Drawn By: **Pedrosa**

Checked By:

Date: **10/26/09**

PROJECT NUMBER: **NUC2009-CP05**

QUOTATION NUMBER: **A09030401R**

QUOTATION DATE: **10/22/09**

CUSTOMER APPROVAL:

NUCLETRON APPROVAL:

DATE:

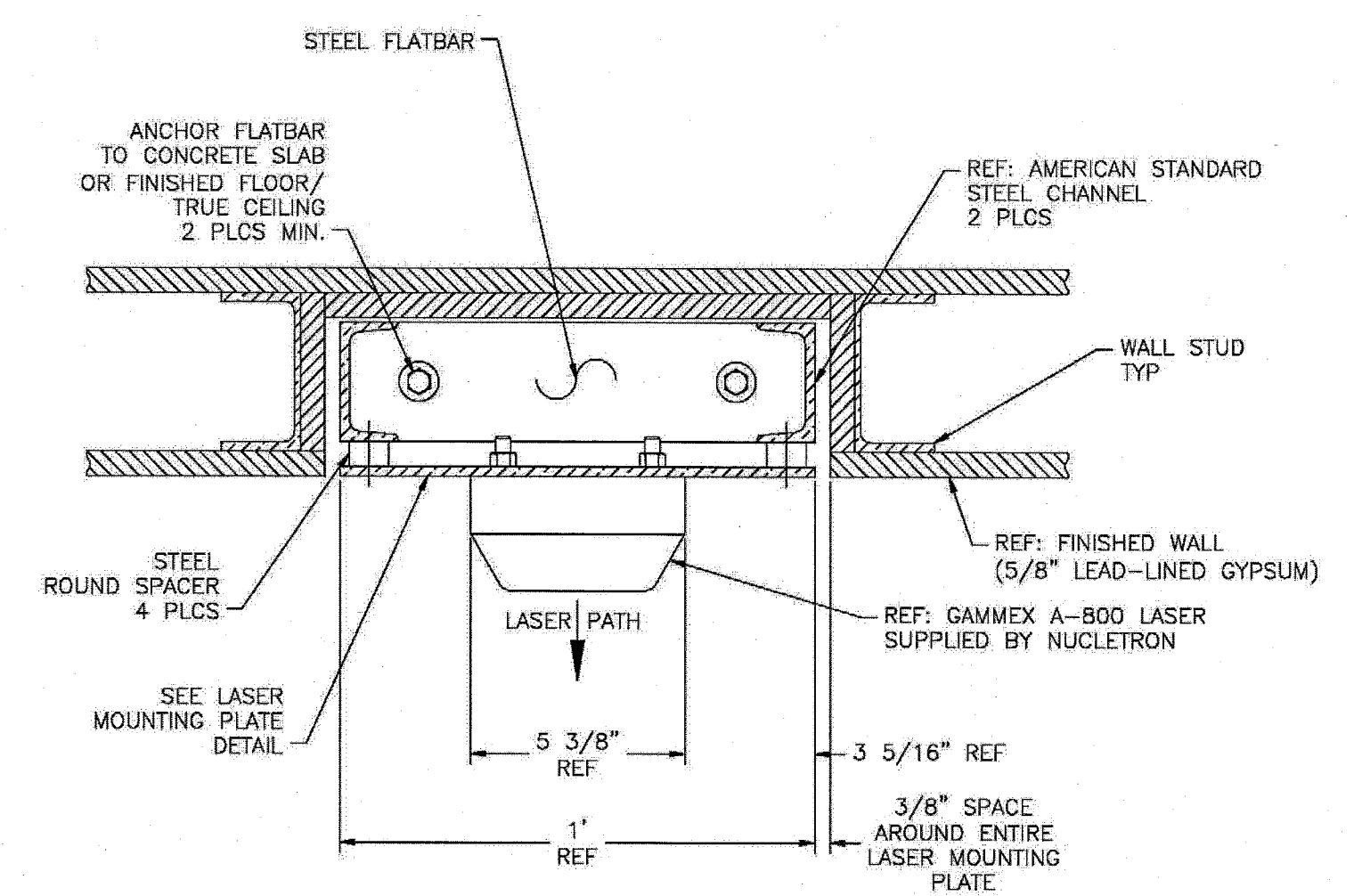
Project: **MMC** Sheet: **N-5**

Date: **10/26/09**

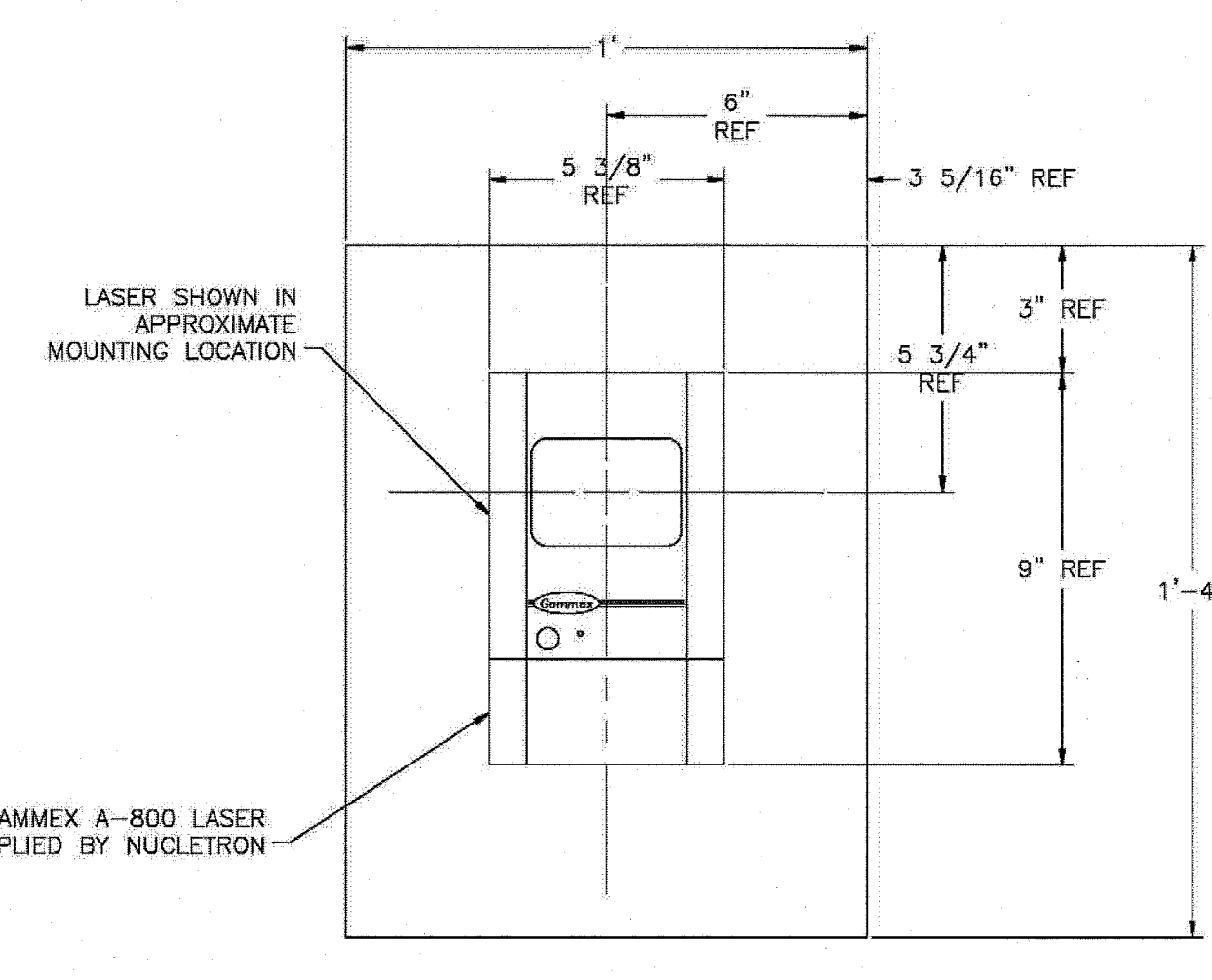
Scale: **1/4"=1'-0"**

Laser Details: **5 of 8**

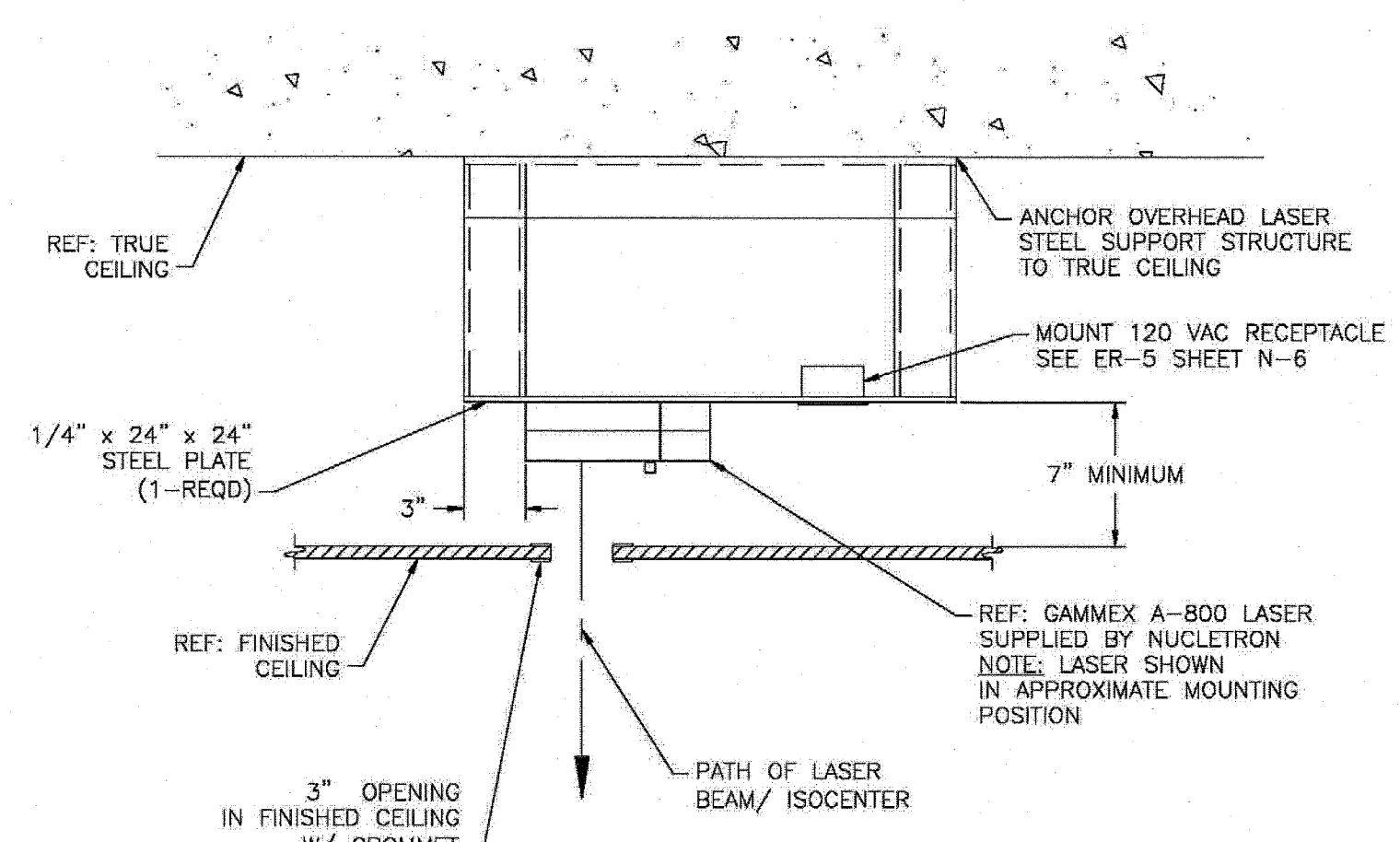
PROJECT: NUC2009-CP05



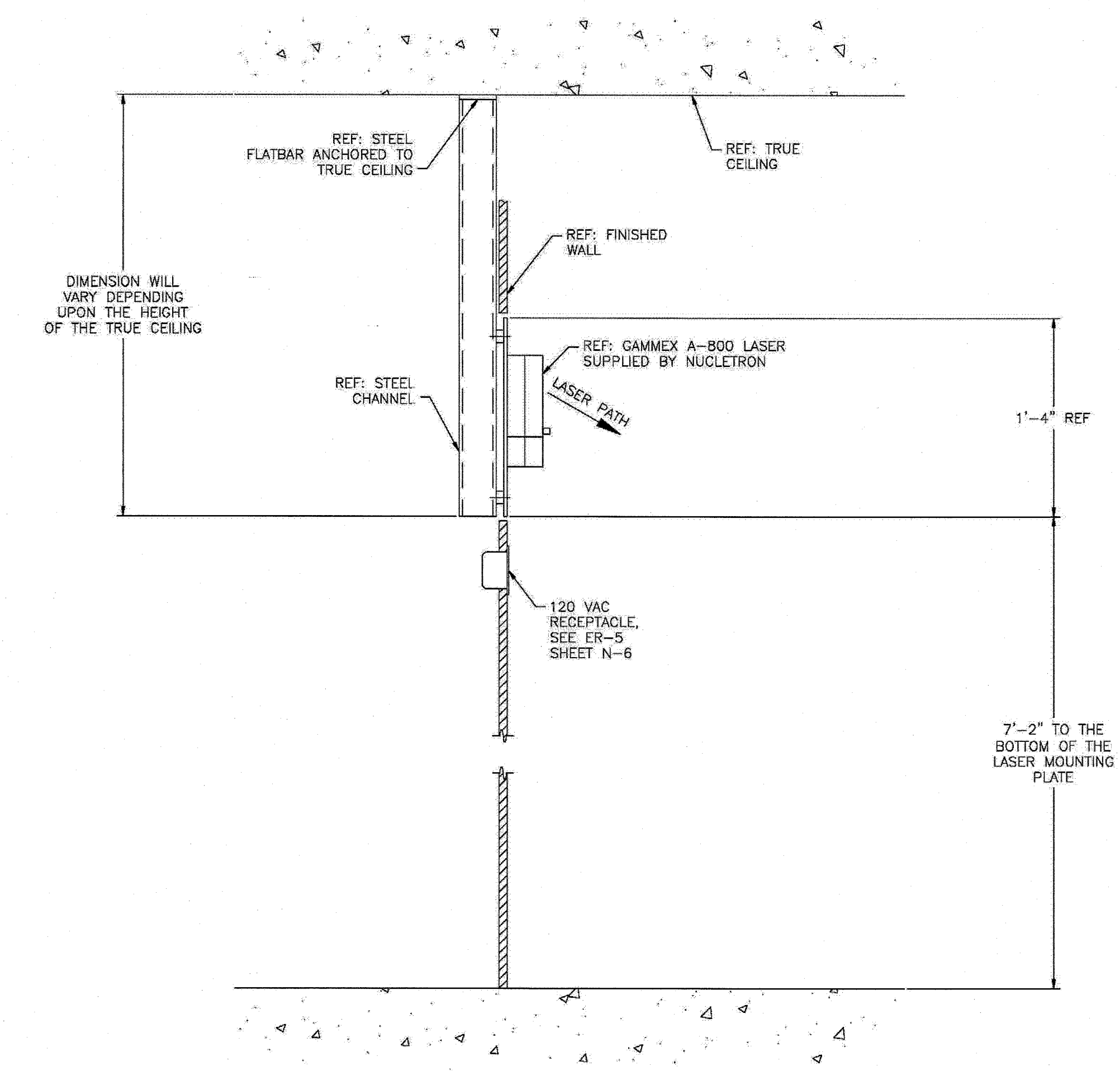
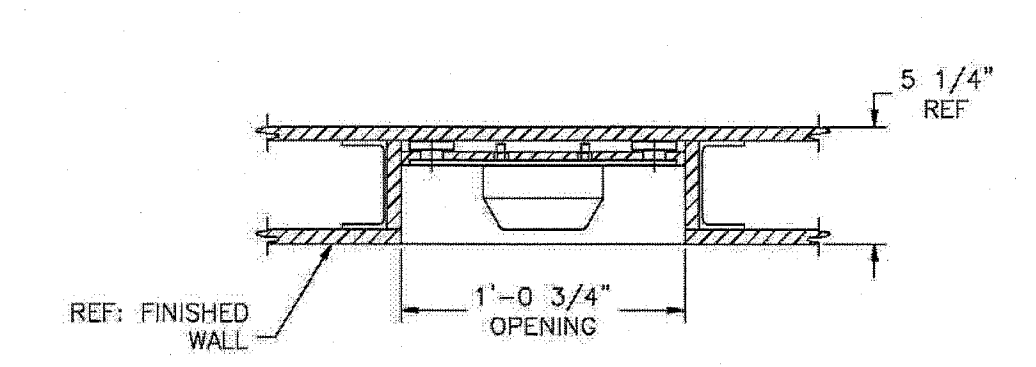
SECTION B-B, LASER FLUSH MOUNT
 SCALE: 3" = 1'-0"



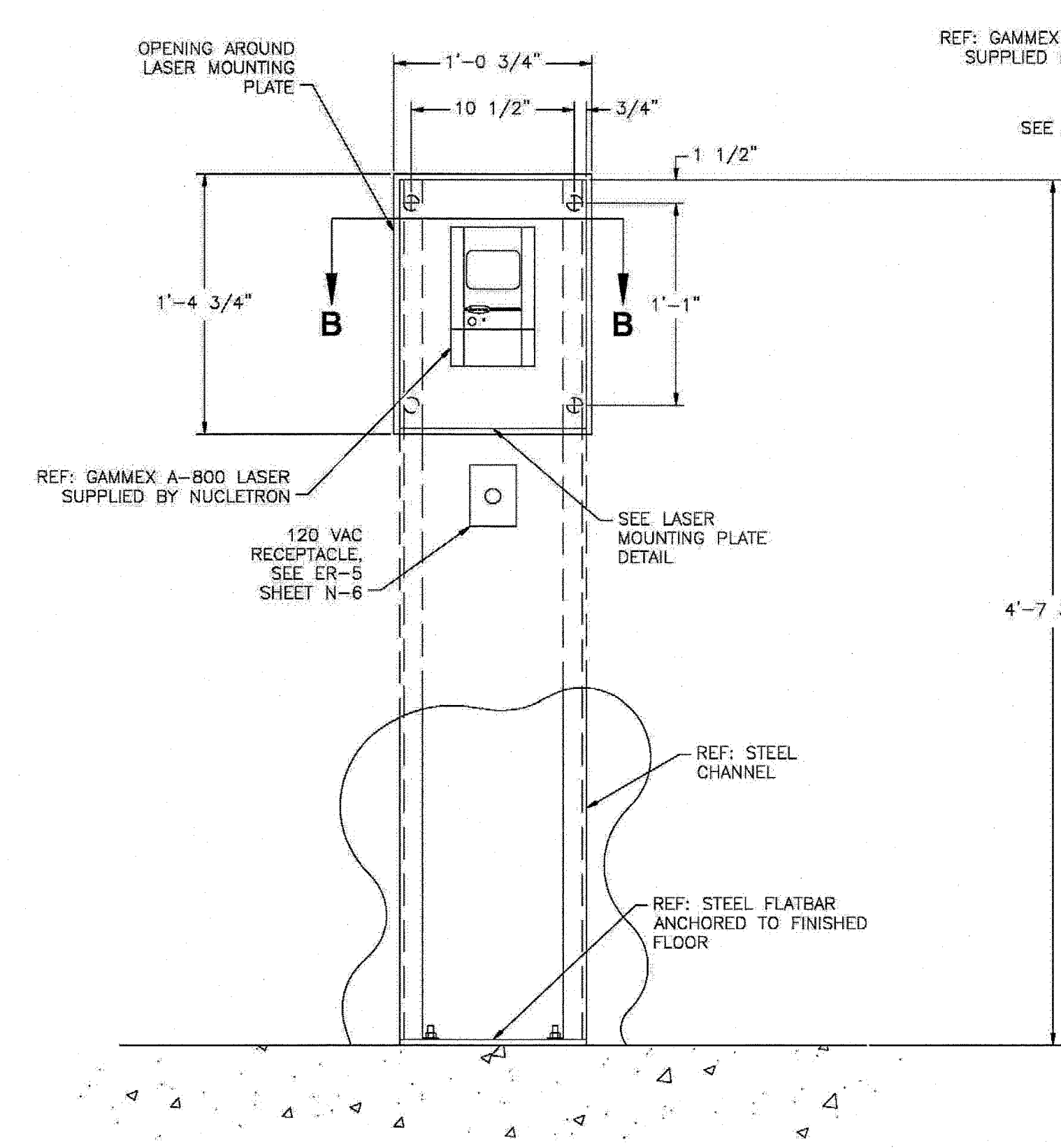
LASER MOUNTING PLATE DETAIL
 SCALE: 3" = 1'-0"
 MATERIAL: 1/4" STEEL PLATE



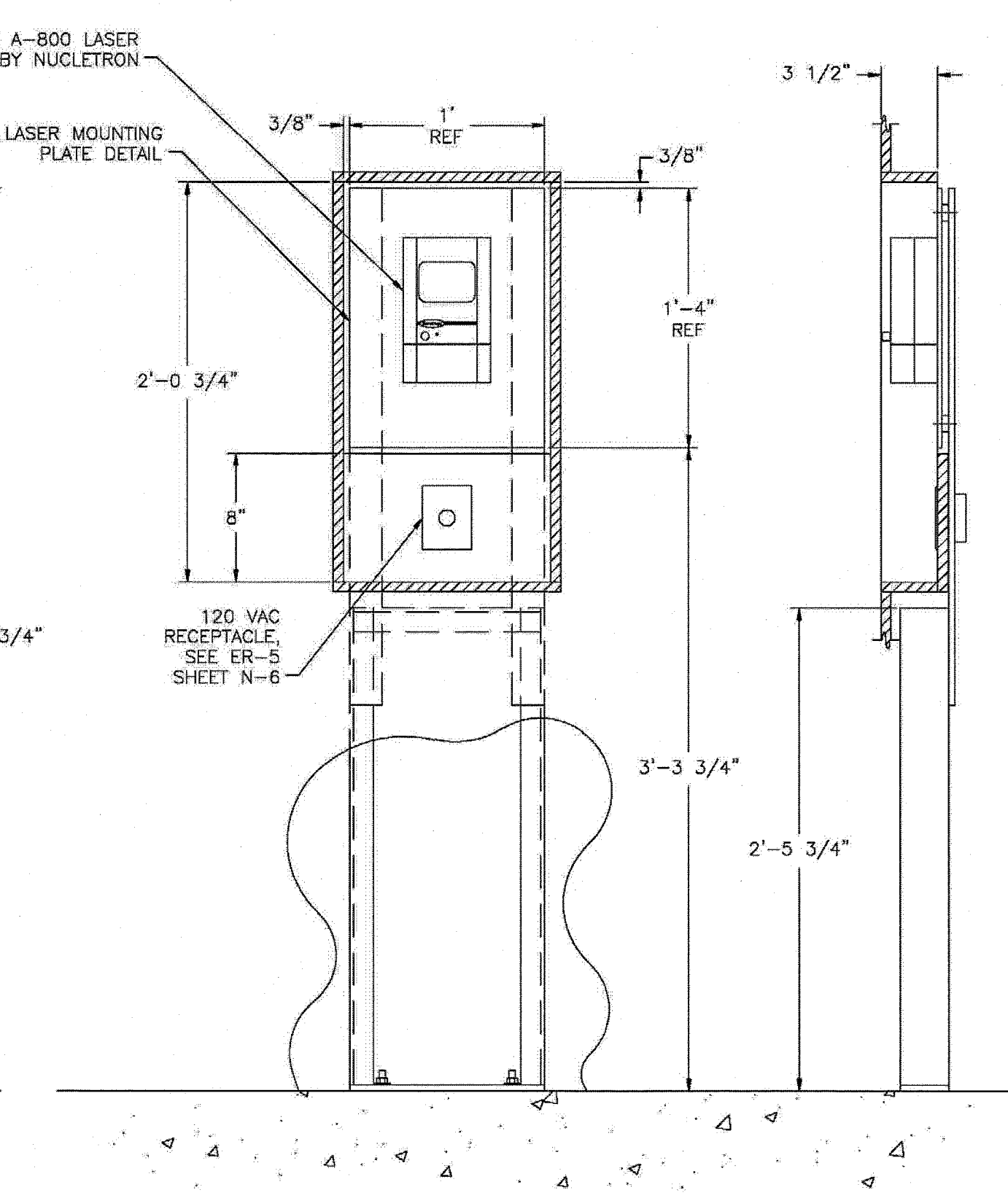
SUGGESTED MOUNTING-OVERHEAD LASER



SUGGESTED MOUNTING-SAGITAL LASER



SUGGESTED MOUNTING-LATERAL LASERS



SUGGESTED RECESSED LASER MOUNTING

NOTES:
 1-ISOLATION MOUNT ASSEMBLY DESIGN AND INSTALL ARE THE RESPONSIBILITY OF CUSTOMER.
 2-ISOLATION MOUNTS ARE TO BE MOUNTED TO THE CEILING OR THE FLOOR STRUCTURAL COMPONENTS ONLY.
 3-ISOLATION ASSEMBLY MOUNTS TO CONSIST OF STEEL CHANNEL OR EQUIVALENT FOR RIGIDITY REQUIRED IN PROPER OPERATION OF LASER SYSTEM UNDER NORMAL USE.

144 Fore Street P.O. Box 618
 Portland, Maine 04104
 Tel: (207) 772-2866
 Fax: (207) 772-1010
 www.nucletron.com

ARCHITECTURE
 ENGINEERING
 PLANNING
 INTERIOR DESIGN
 COMMISSIONING

SMART

PROJECT NORTH

CT SIMULATOR REPLACEMENT
 PORTLAND, ME
 RE-ISSUED FOR CONSTRUCTION
 02.09.10
 CURRENT ISSUE STATUS

REV	DESCRIPTION	DATE
1	RE-ISSUED FOR CONSTRUCTION	02.09.10

GRAPHIC SCALE:
 0" 1"
 SCALE:
 PROJECT MANAGER: DM
 DRAWN BY:
 A/E OF RECORD: DM
 PROJECT NO: 09122
 DATE: 02.09.10

SHEET TITLE:
LASER DETAILS

SHEET No. **Q-007**