

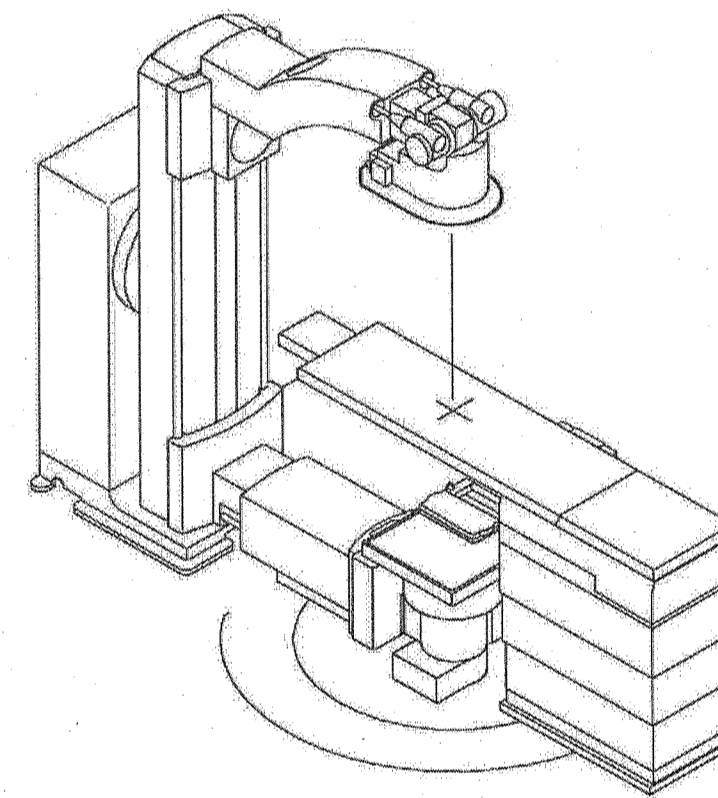
# Nucletron Corporation

8671 ROBERT FULTON DRIVE, COLUMBIA, MD. 21046

PHONE: (410) 312-4100 FAX: (410) 312-4196

## INSTALLATION DRAWINGS

### SIMULIX—HQ



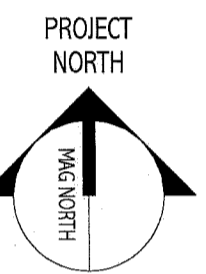
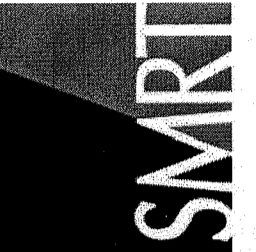
Maine Medical Center  
Portland, ME

#### CONTENTS

SITE PREP CHECKLIST	N-1
ROOM/EQUIPMENT LAYOUT	N-2
STRUCTURAL PLAN	N-3
RAIL SYSTEM	N-4
LASER DETAILS	N-5
ELECTRICAL LAYOUT	N-6
WIRING DETAILS	N-7
EQUIPMENT DETAILS	N-8

144 Free Street P.O. Box 618  
Portland, Maine 04104  
Tel. (207) 772-3846  
Fax. (207) 772-1070  
www.nucletron.com

ARCHITECTURE  
ENGINEERING  
PLANNING  
INTERIOR DESIGN  
COMMISSIONING



CT SIMULATOR REPLACEMENT

RE-ISSUED FOR CONSTRUCTION  
02.09.10

PORTLAND, ME

NO.	DESCRIPTION	DATE
1	RE-ISSUED FOR CONSTRUCTION	

GRAPHIC SCALE:  
0' 1'

SCALE:

PROJECT MANAGER: DW

DRAWN BY:

A/E OF RECORD: DW

PROJECT NO: 09122

DATE: 02.09.10

SHEET TITLE:  
NUCLETRON COVER SHEET

SHEET No. Q-001