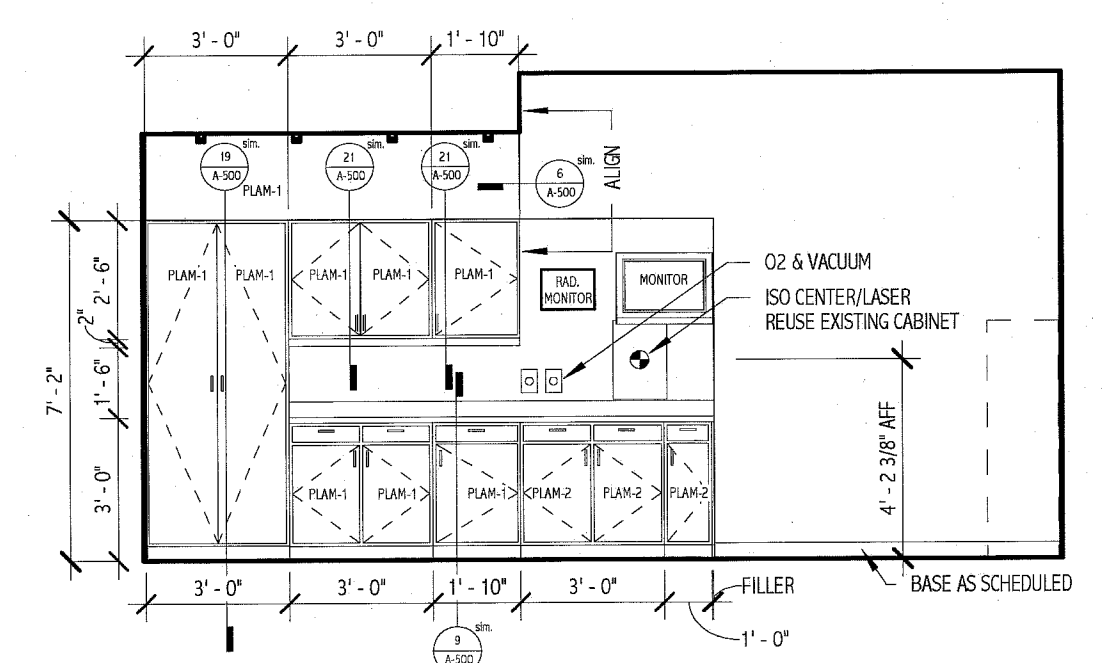
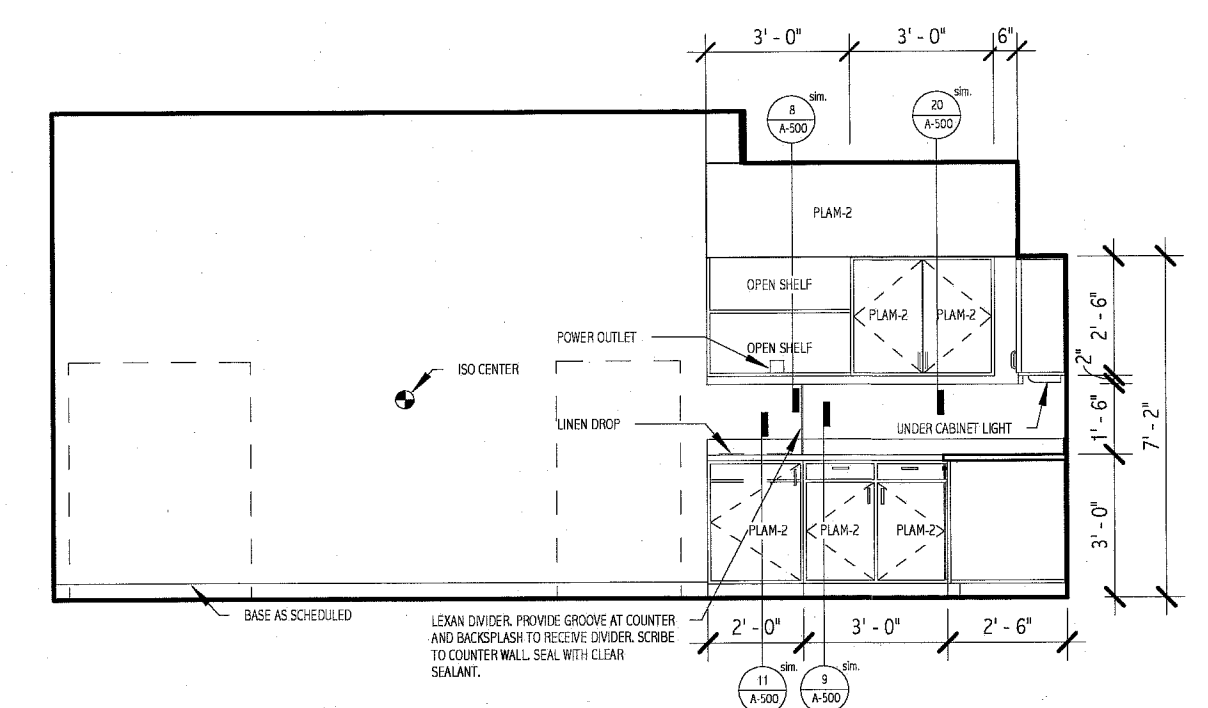


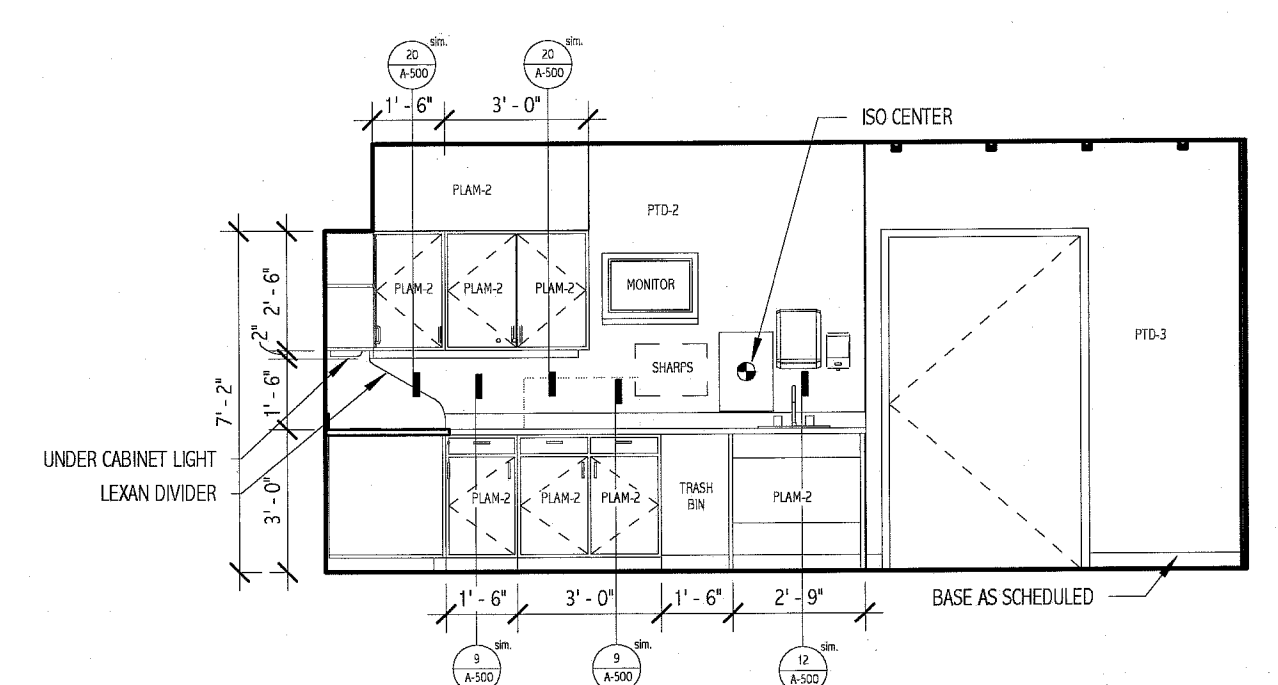
1 INTERIOR ELEVATION  
1/4" = 1'-0"



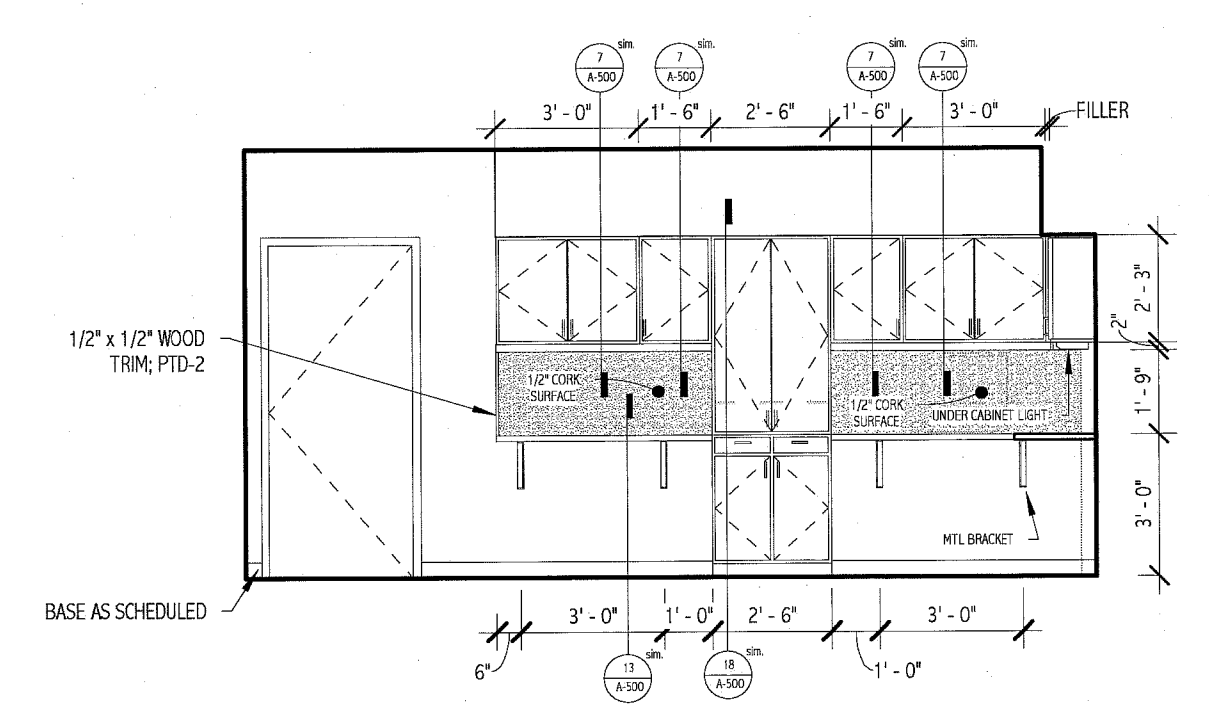
2 INTERIOR ELEVATION  
1/4" = 1'-0"



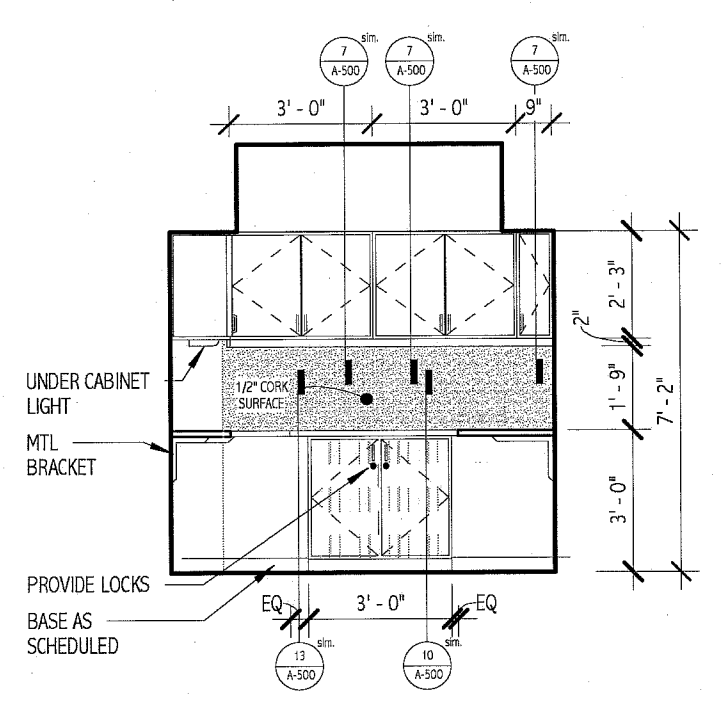
3 INTERIOR ELEVATION  
1/4" = 1'-0"



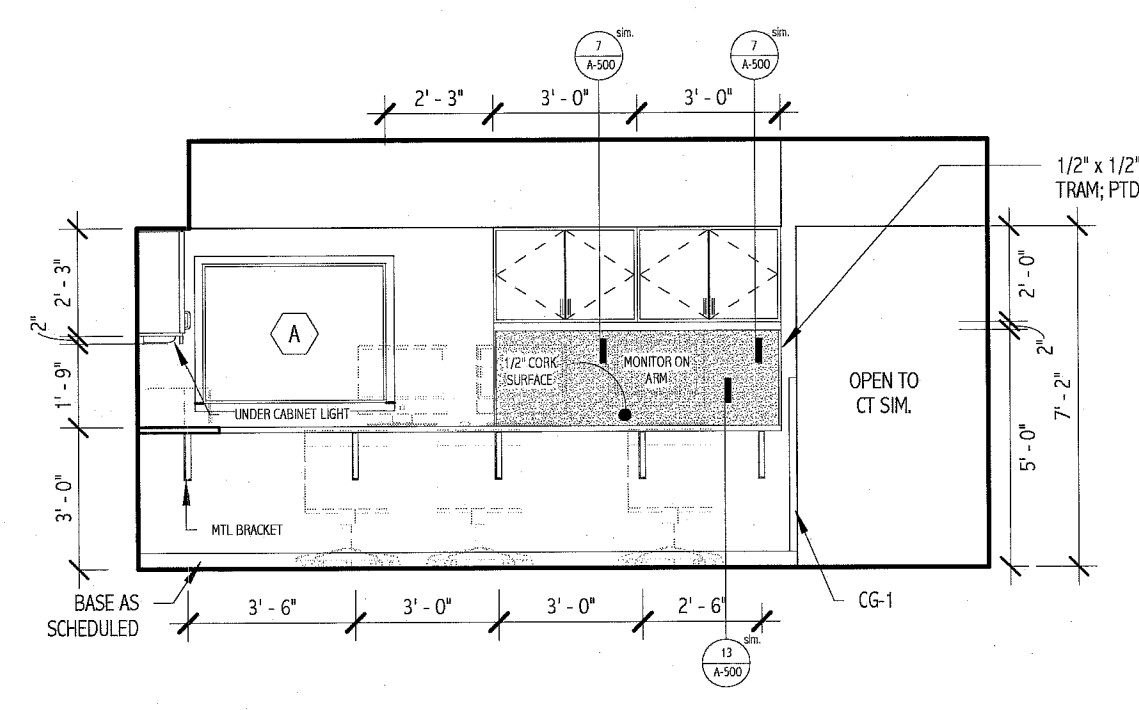
4 CT SIM D  
1/4" = 1'-0"



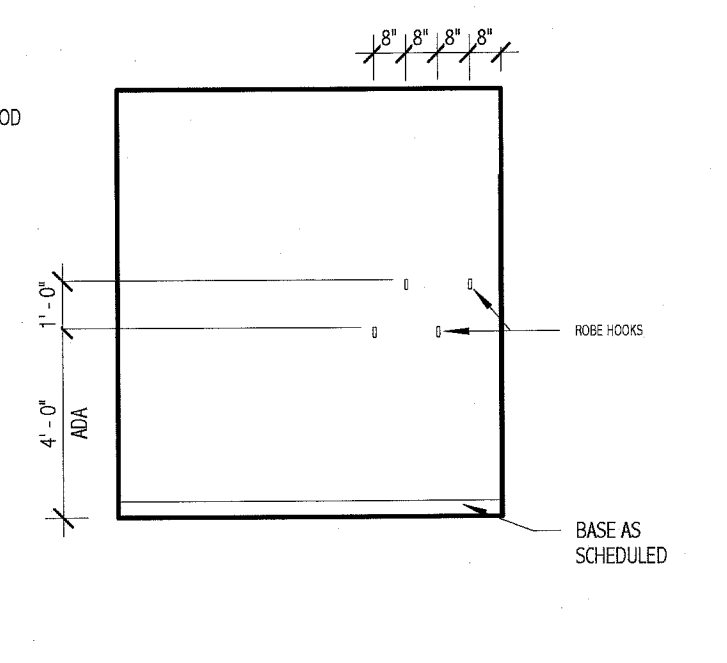
5 INTERIOR ELEVATION  
1/4" = 1'-0"



6 INTERIOR ELEVATION  
1/4" = 1'-0"



7 INTERIOR ELEVATION  
1/4" = 1'-0"



8 INTERIOR ELEVATION  
1/4" = 1'-0"

144 Fore Street, 6th Fl. B  
Portland, Maine 04104  
Tel: (207) 772-8446  
Fax: (207) 772-0772  
www.smrtinc.com

ARCHITECTURE  
ENGINEERING  
PLANNING  
INTERIOR DESIGN  
COMMISSIONING

**SMRT**

LICENSED ARCHITECT  
DEREK J. VEILLEUX  
No. 31815  
STATE OF MAINE  
2-9-10

CT SIMULATOR REPLACEMENT  
PORTLAND, ME

RE-ISSUED FOR CONSTRUCTION  
02.09.10

CURRENT ISSUE STATUS:

REV	DATE	DESCRIPTION
1	02.09.10	RE-ISSUED FOR CONSTRUCTION
0	01.20.10	ISSUED FOR CONSTRUCTION

GRAPHIC SCALE:  
0' 1'

SCALE: 1/4" = 1'-0"

PROJECT MANAGER: DW

IC/DRAWN BY: CS

AGE OF RECORD: DW

PROJECT NO: 09122

DATE: 01.20.10

SHEET TITLE:  
INTERIOR  
ELEVATIONS

SHEET No. A-200