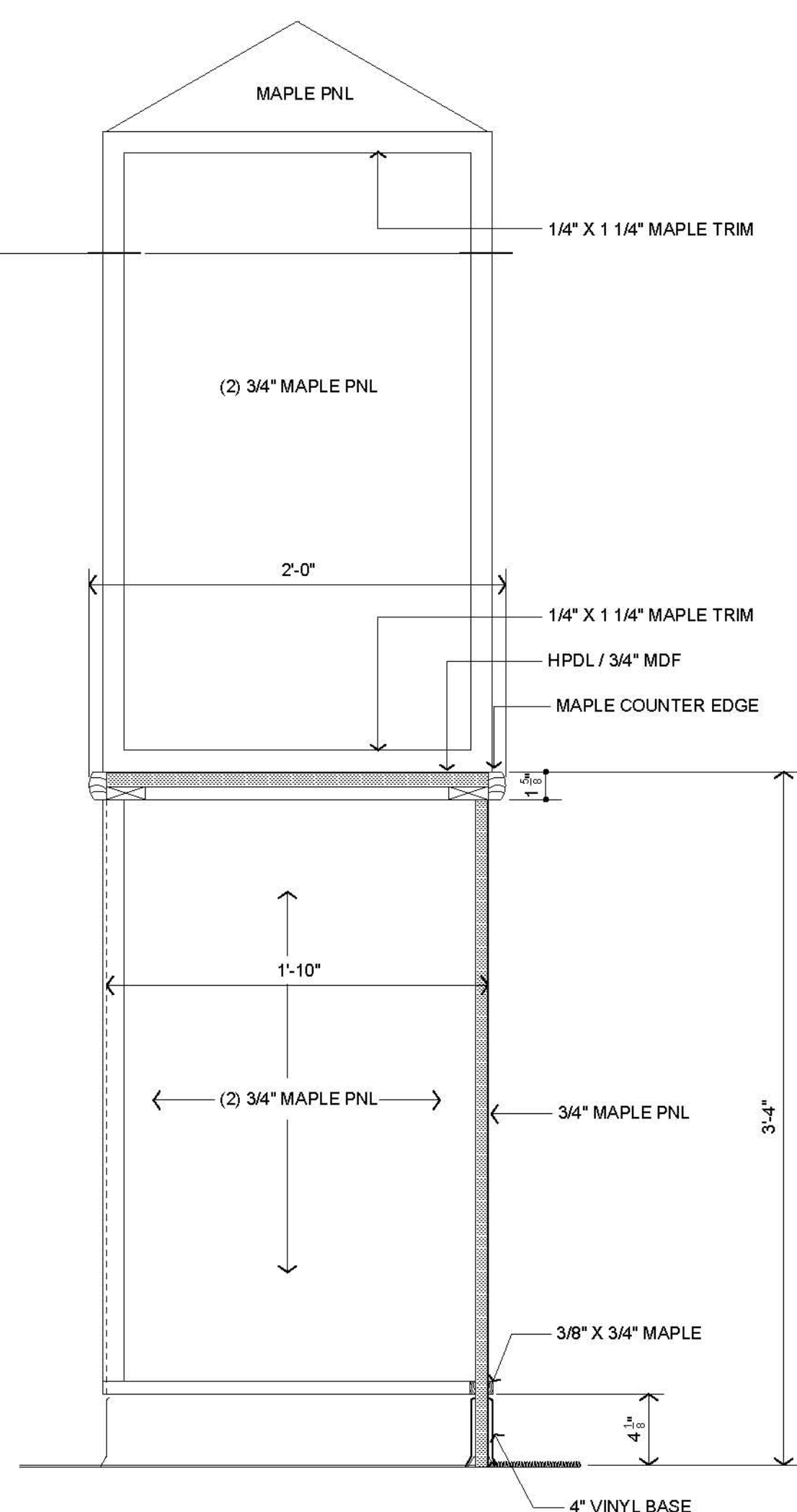
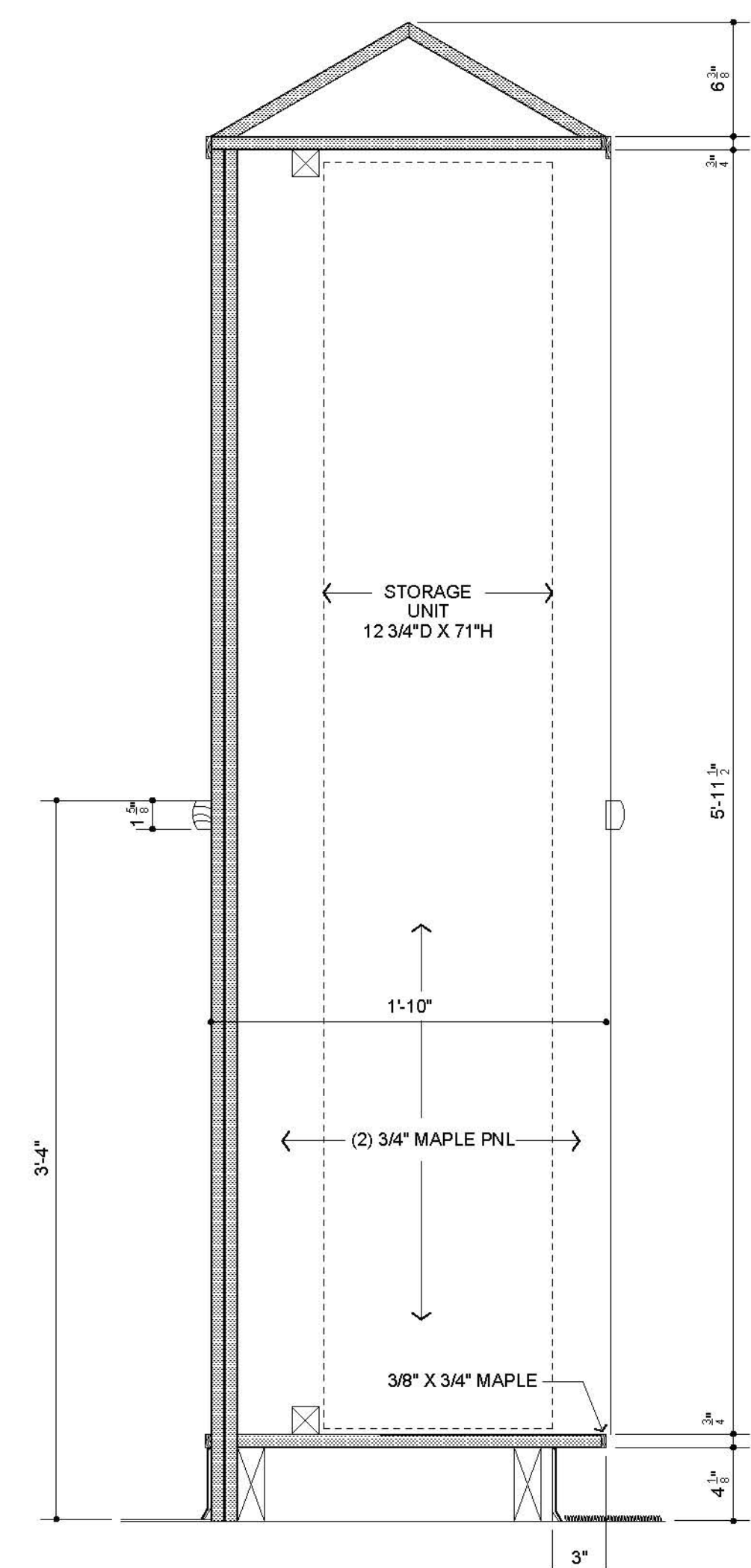


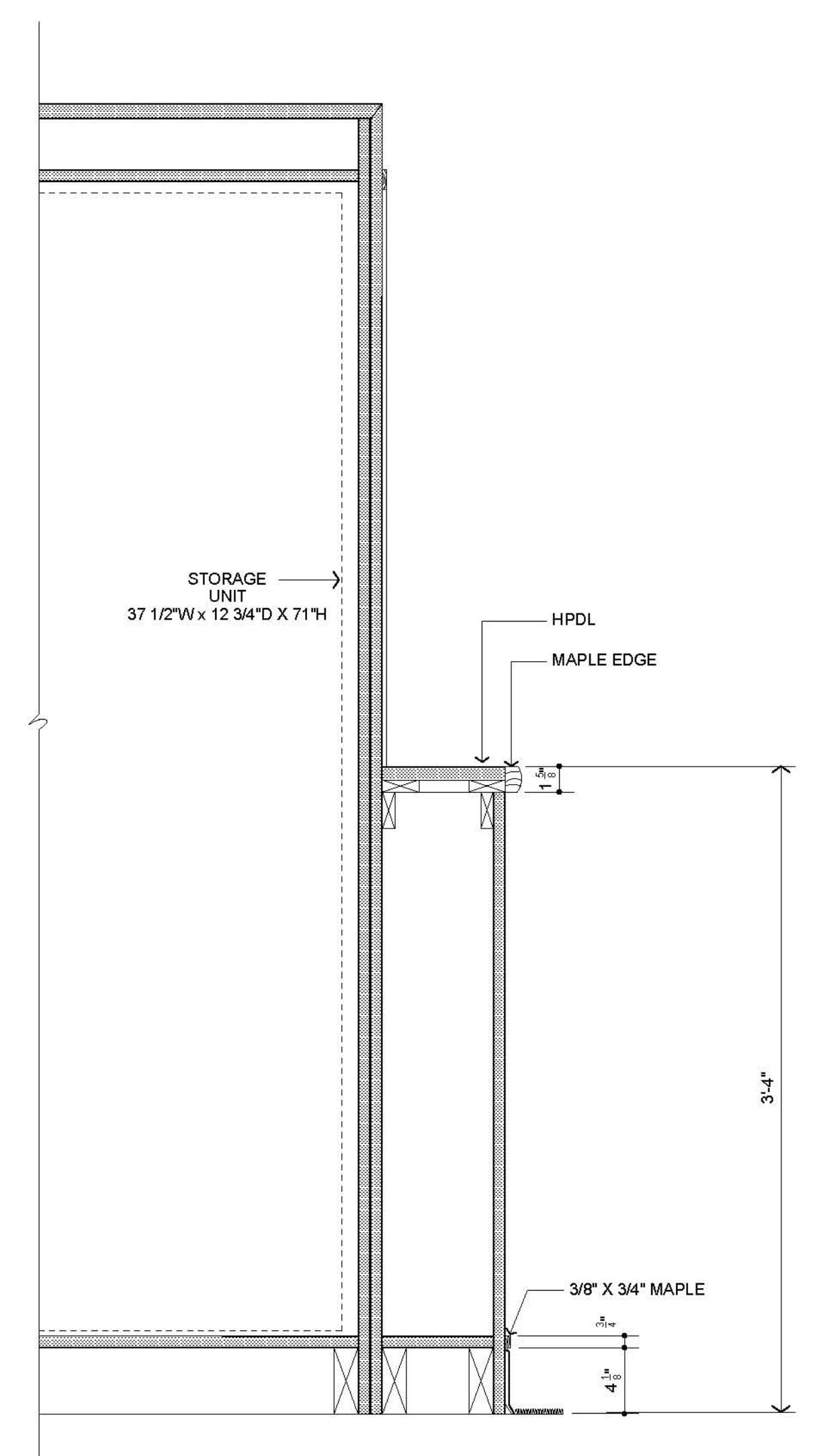
**A** CORNER PLAN DETAILS  
 6" = 1'-0"



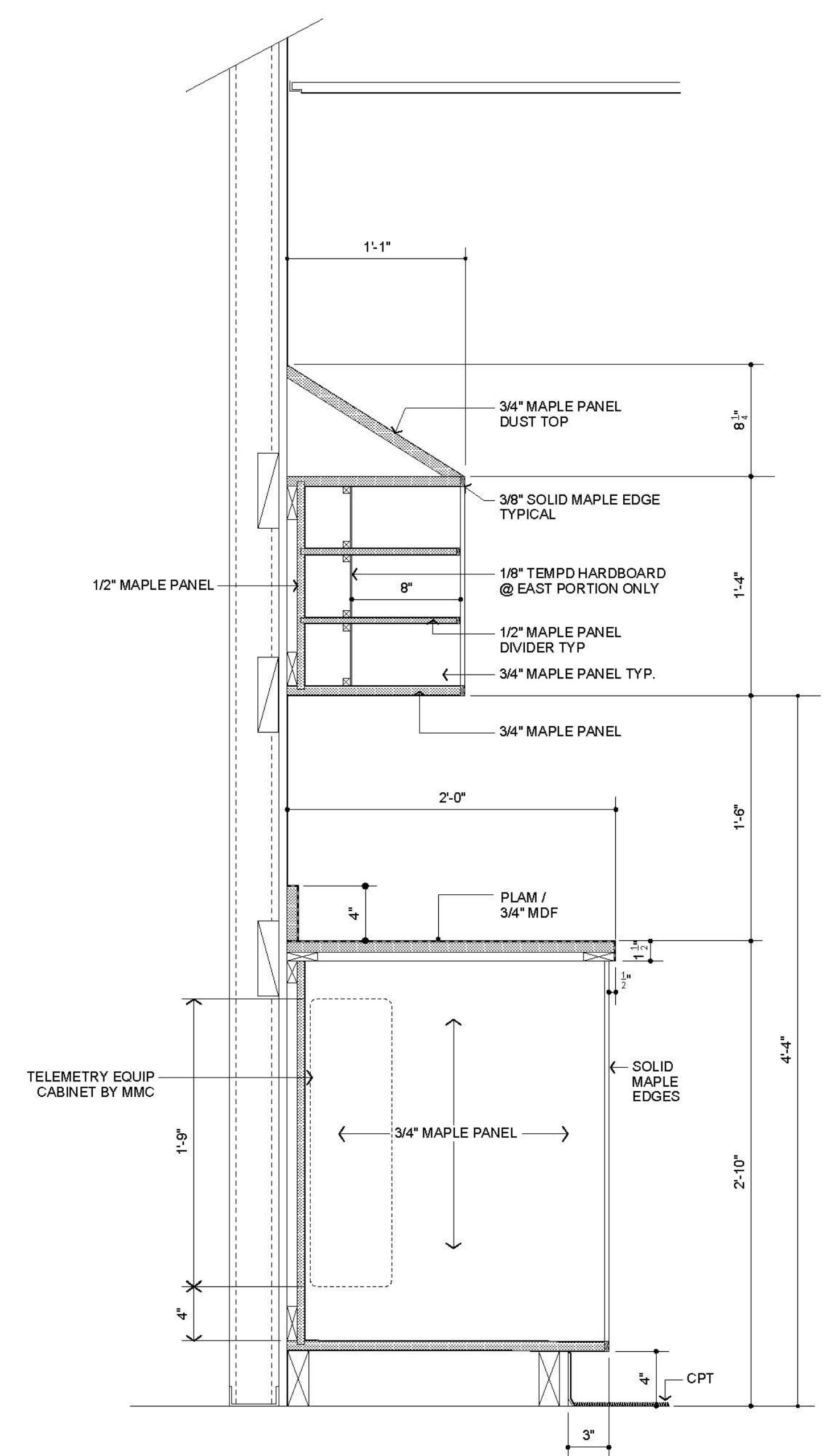
**5** ISLAND CABINET SECTION  
 1 1/2" = 1'-0"



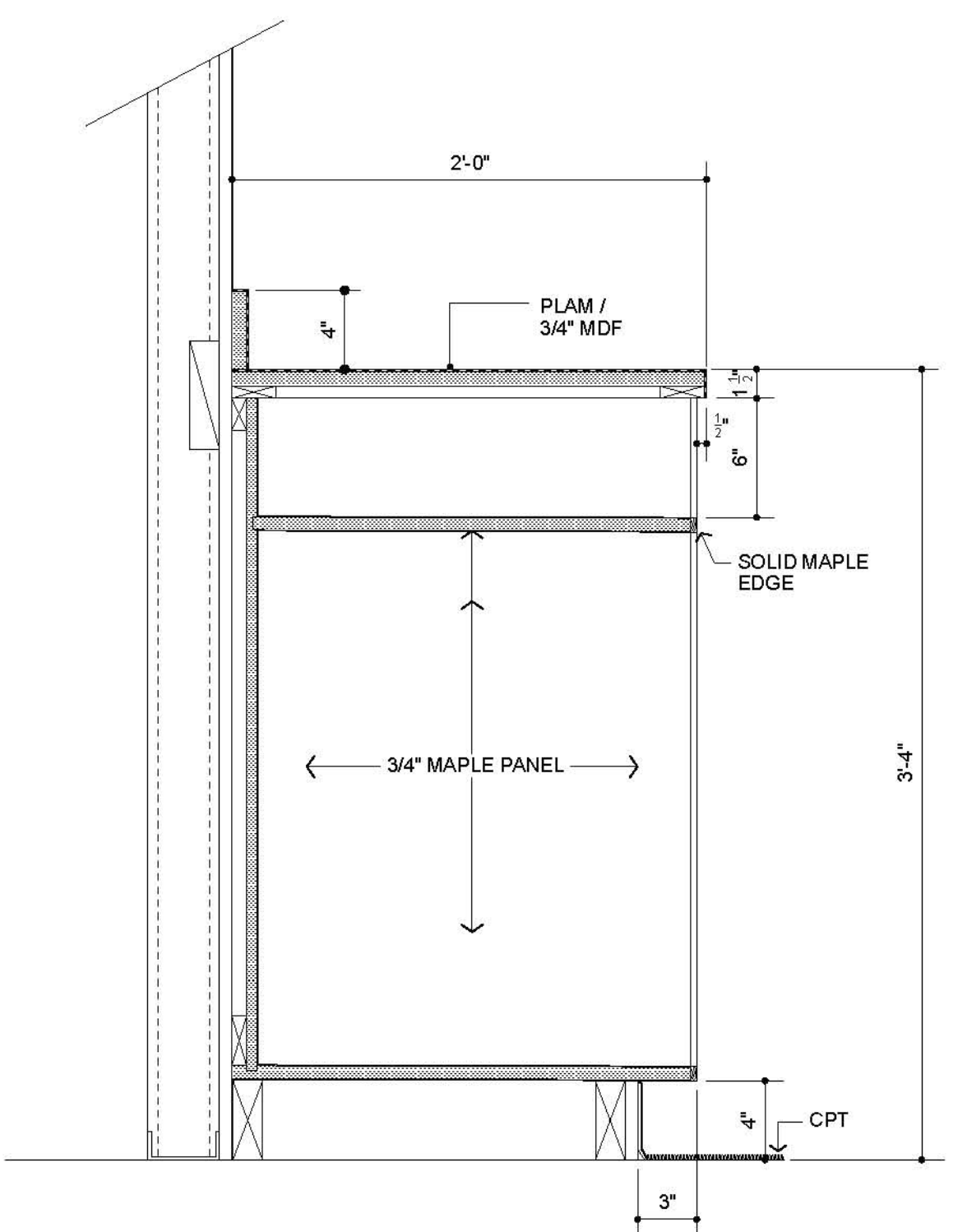
**6** ISLAND CABINET SECTION  
 1 1/2" = 1'-0"



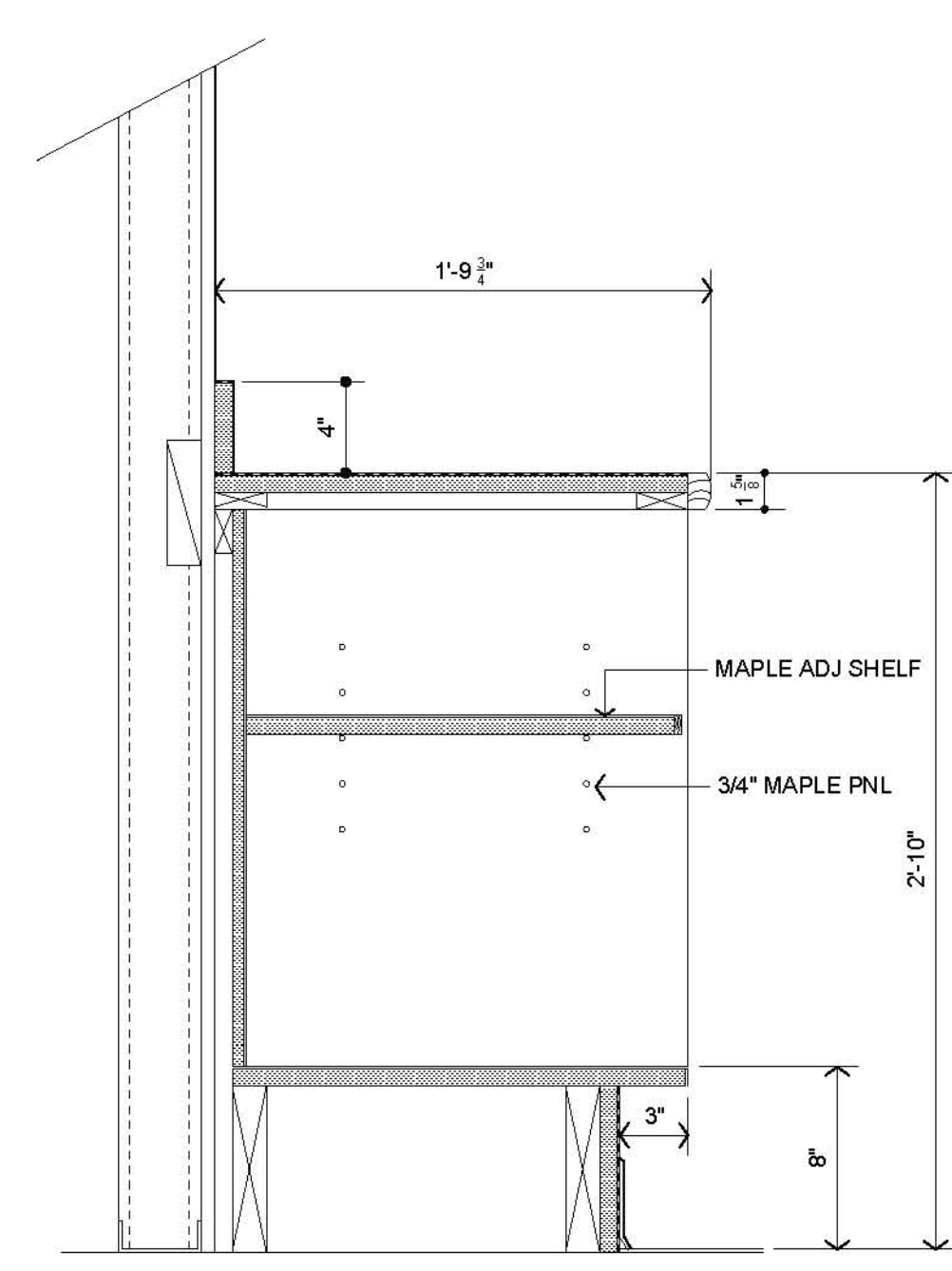
**7** ISLAND CABINET SECTION  
 1 1/2" = 1'-0"



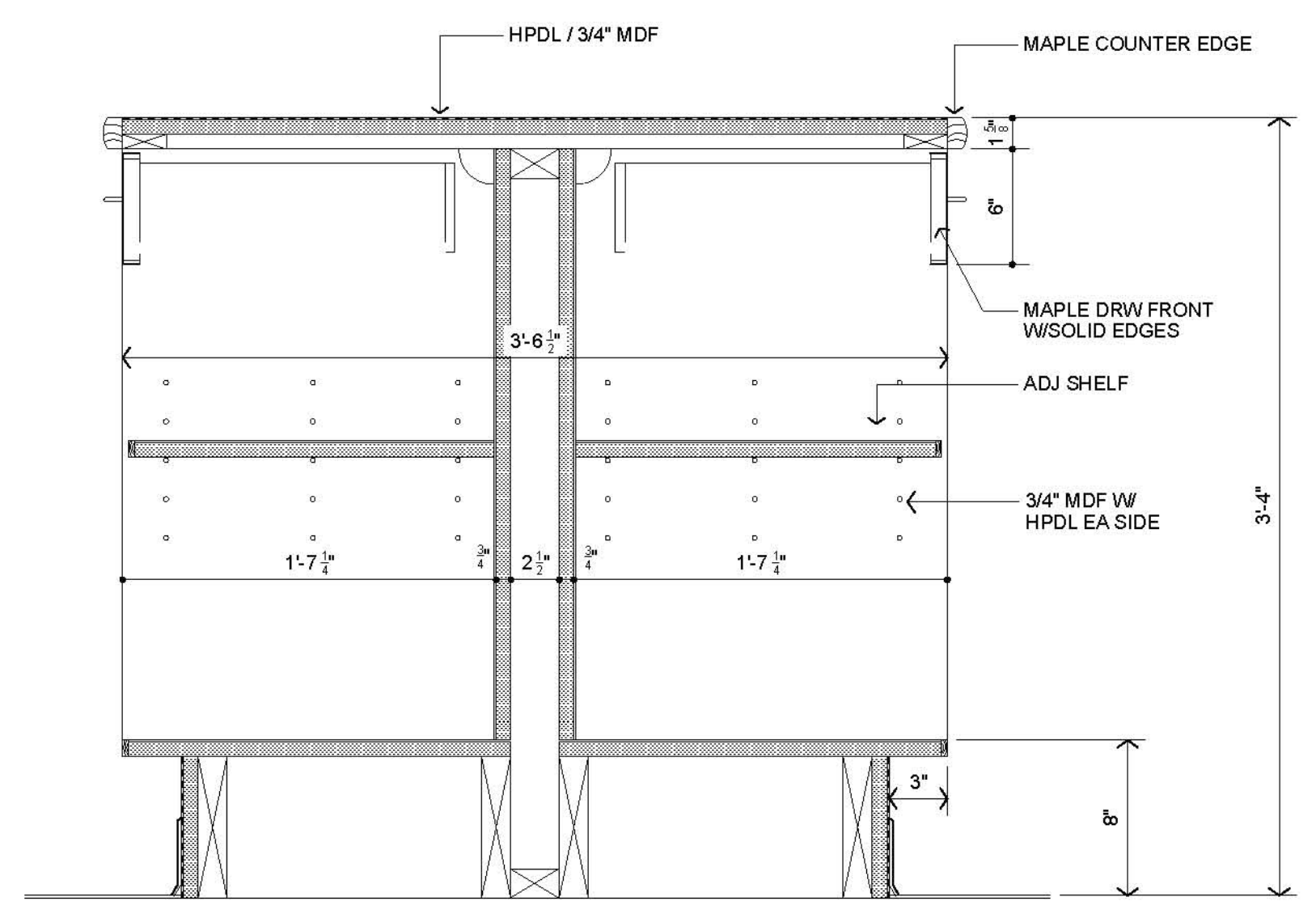
**1** BASE AND WALL CABINET  
 1 1/2" = 1'-0"



**2** BASE CABINET  
 1 1/2" = 1'-0"



**3** ISLAND CABINET SECTION  
 1 1/2" = 1'-0"



**4** ISLAND CABINET SECTION  
 1 1/2" = 1'-0"

Richards Wing  
 Fifth Floor  
 Renovations

Maine Medical Center  
 Portland, Maine 04102

Architect  
 Winton Scott Architects, PA  
 Portland, Maine

Mechanical Design / Build  
 Johnson & Jordan  
 Portland, Maine

Interior  
 Details  
**A 4.4**