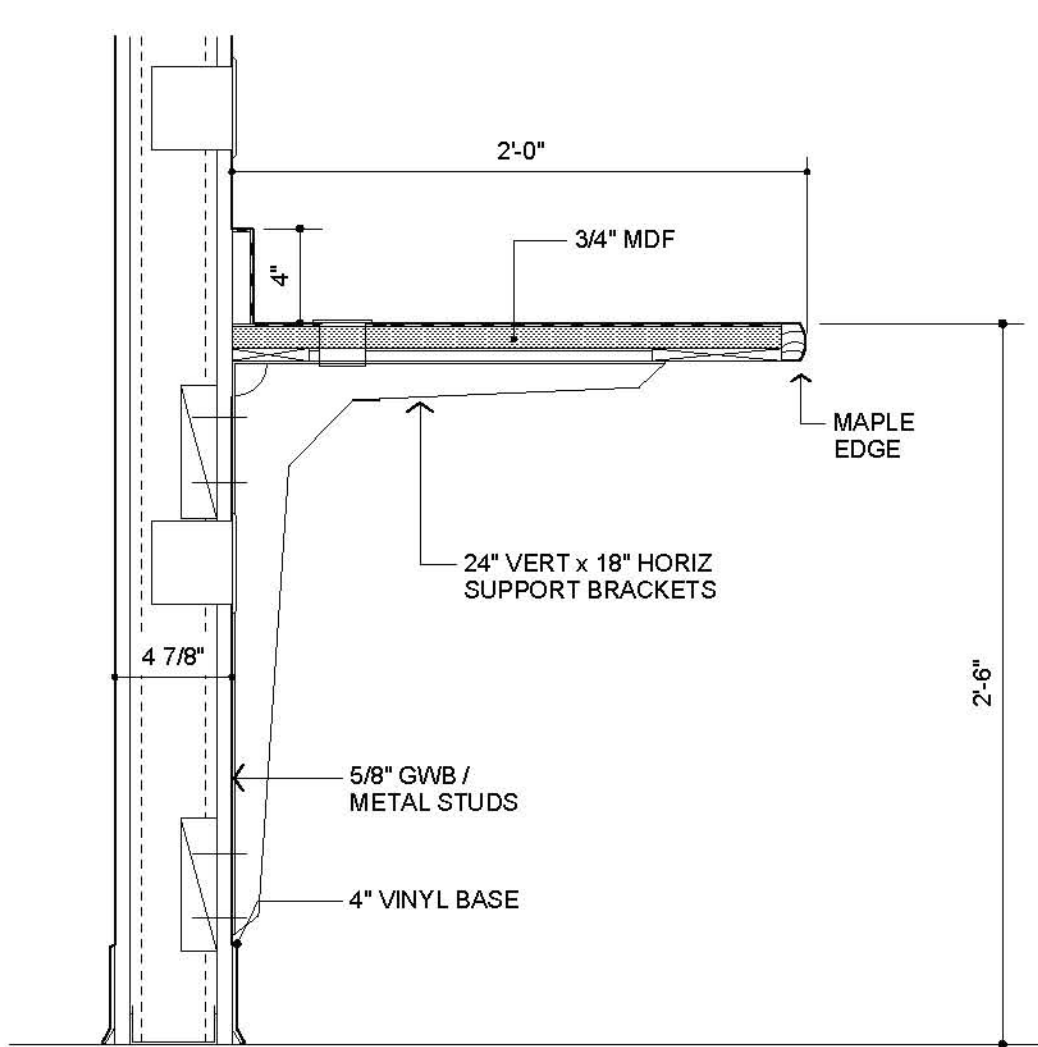
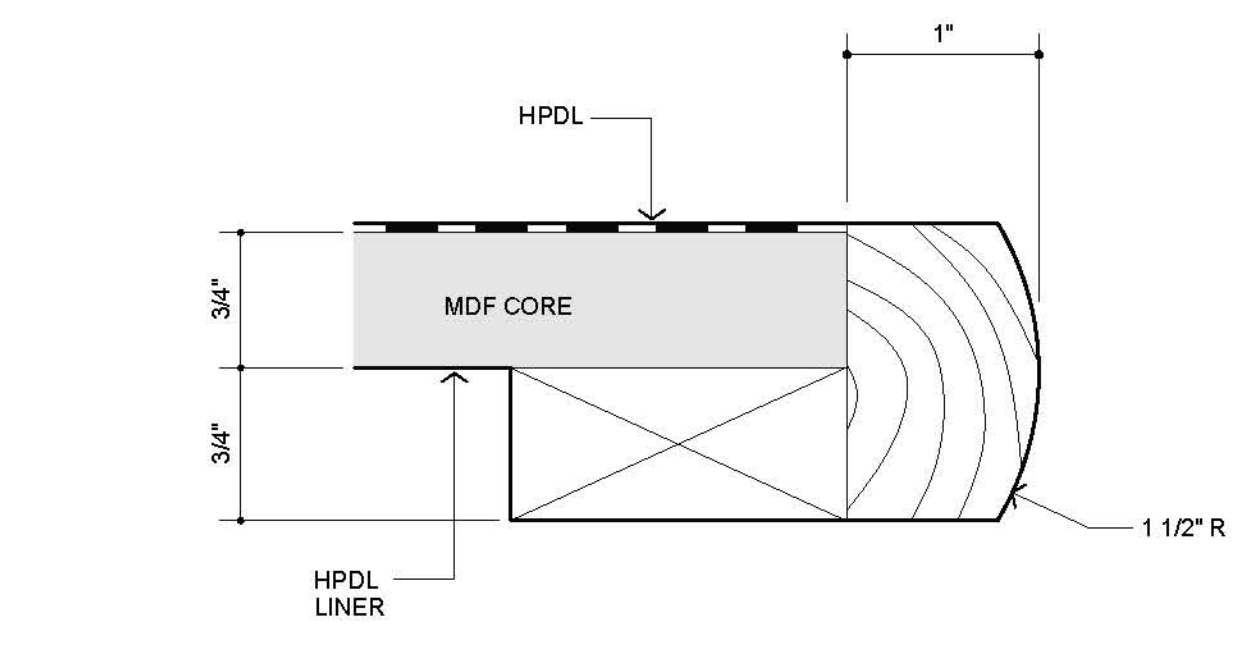


1 DEFIBRILLATOR ALCOVE SHELVING  
 1 1/2" = 1'-0"

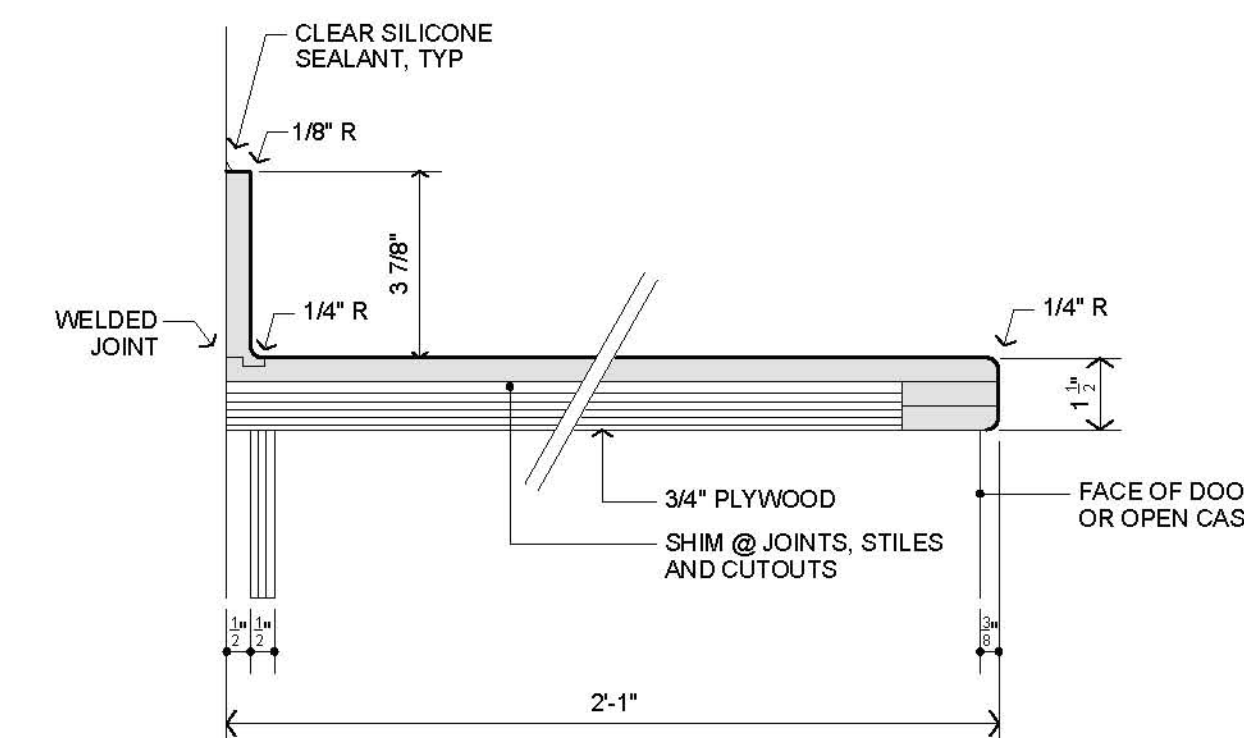
2 ADJUSTABLE WALL SHELVING  
 1 1/2" = 1'-0"



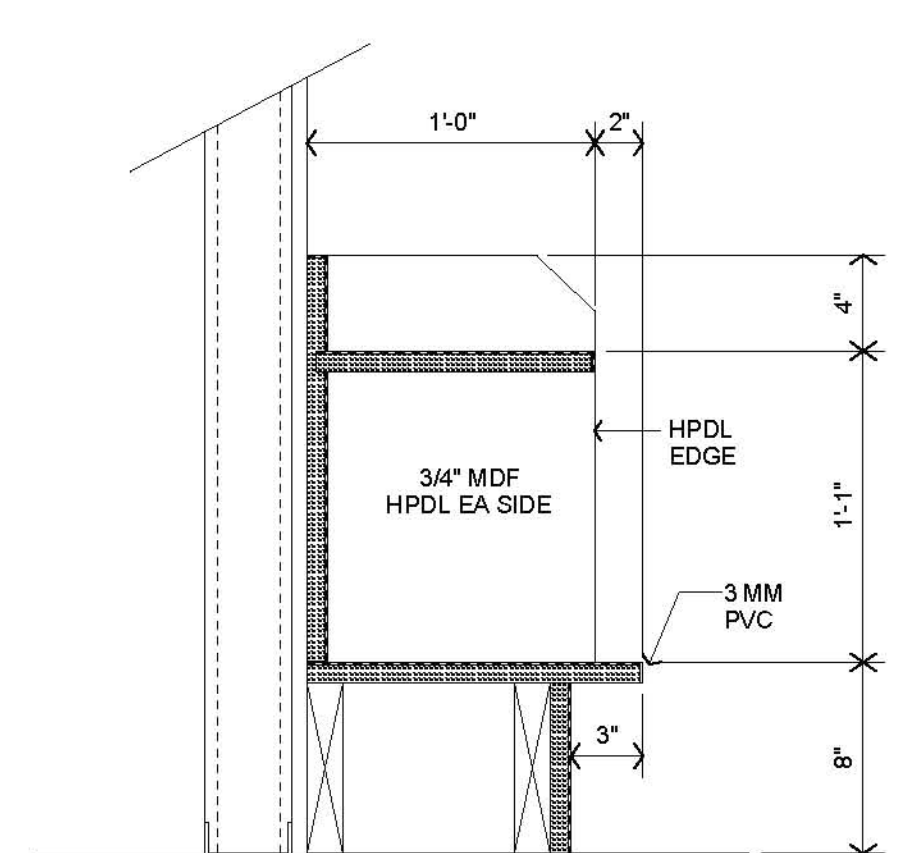
3 Laminate Counter Section  
 1 1/2" = 1'-0"



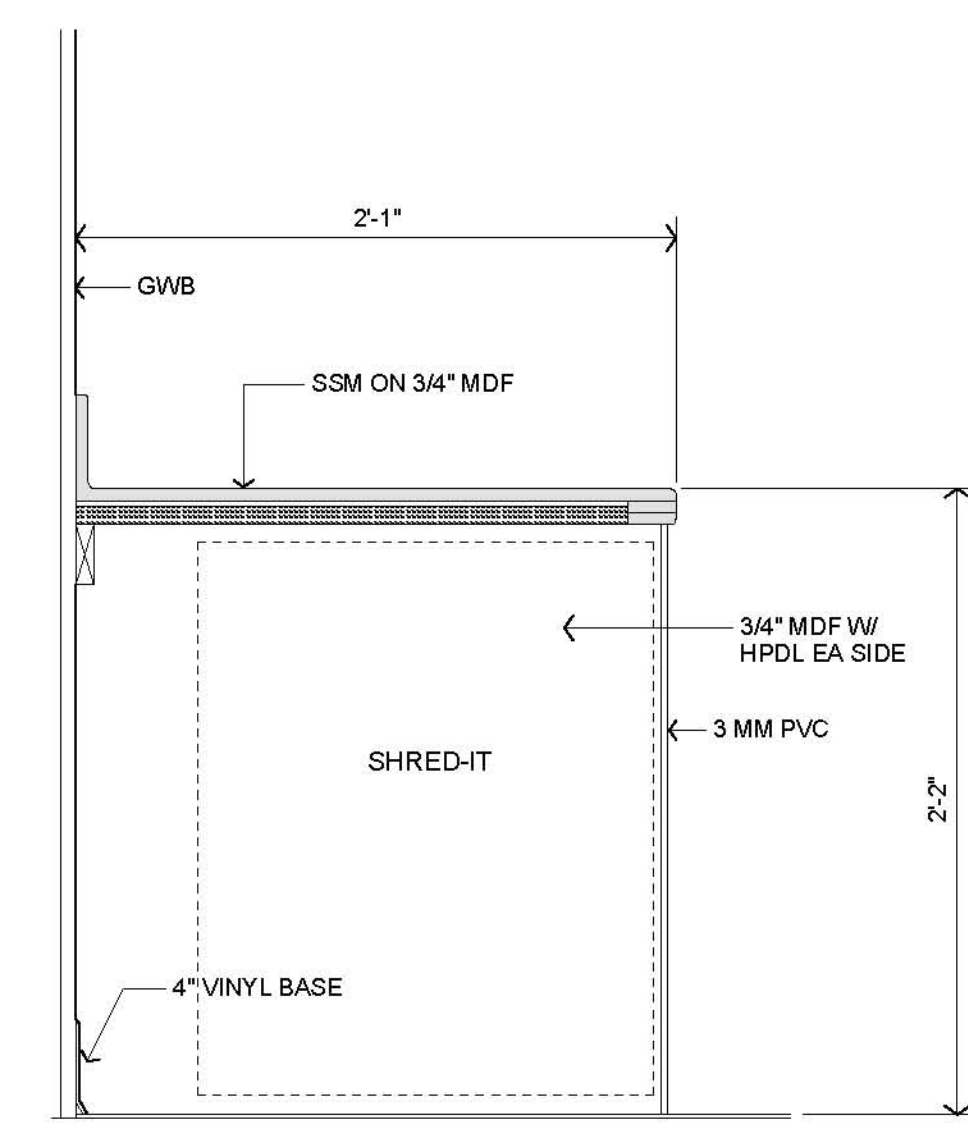
A Maple Counter Edge Where Shown  
 FULL SIZE



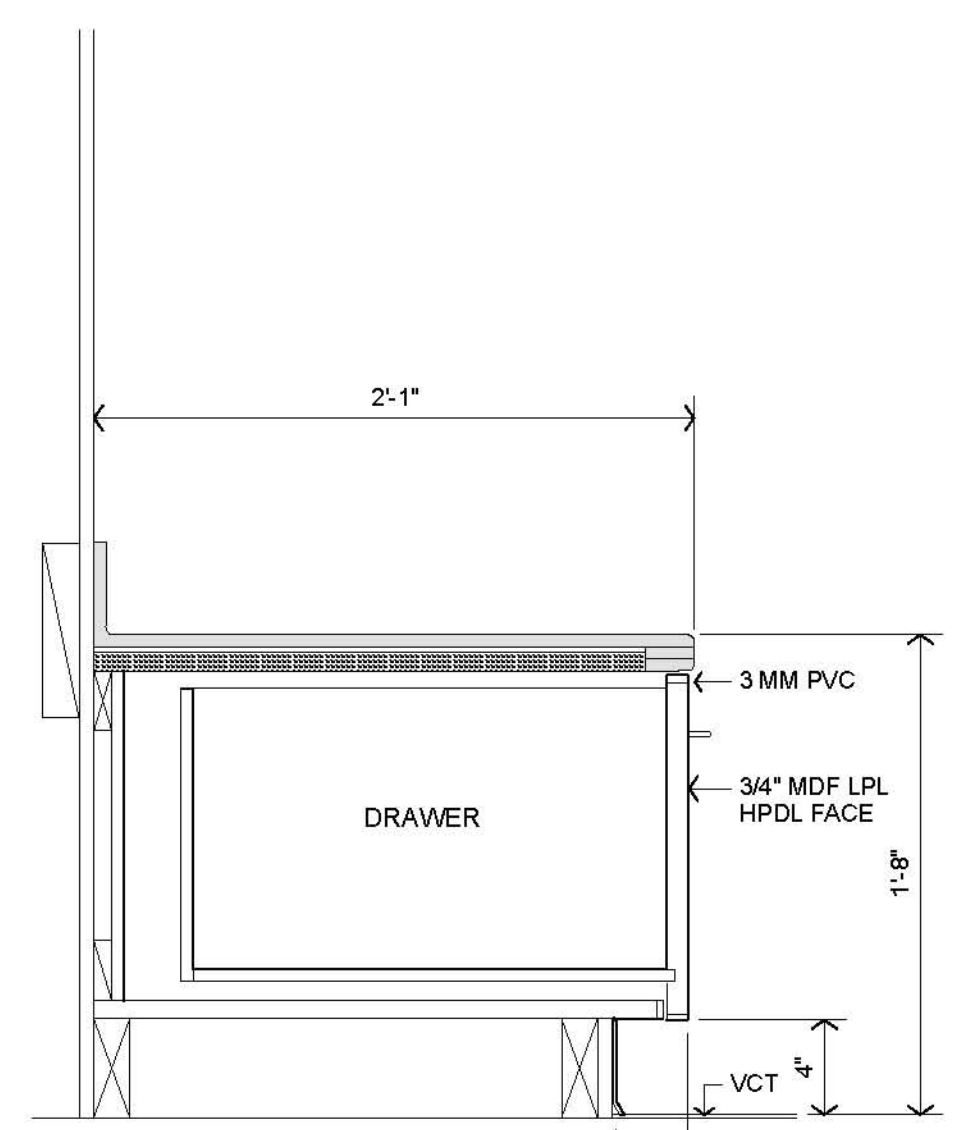
B Solid Surfacing Counter Edge Where Shown  
 3" = 1'-0"



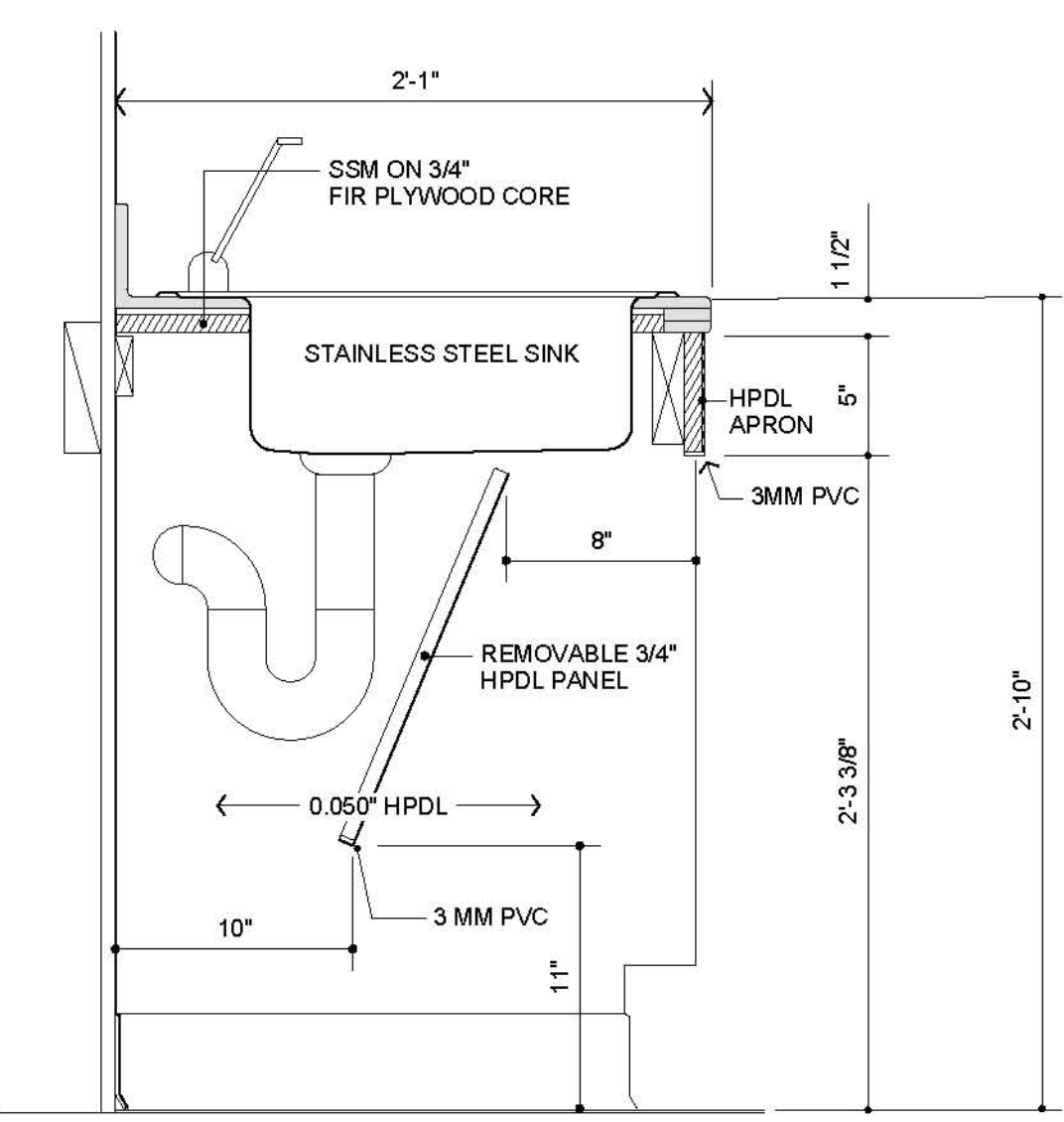
8 FIXED STORAGE BASE  
 1 1/2" = 1'-0"



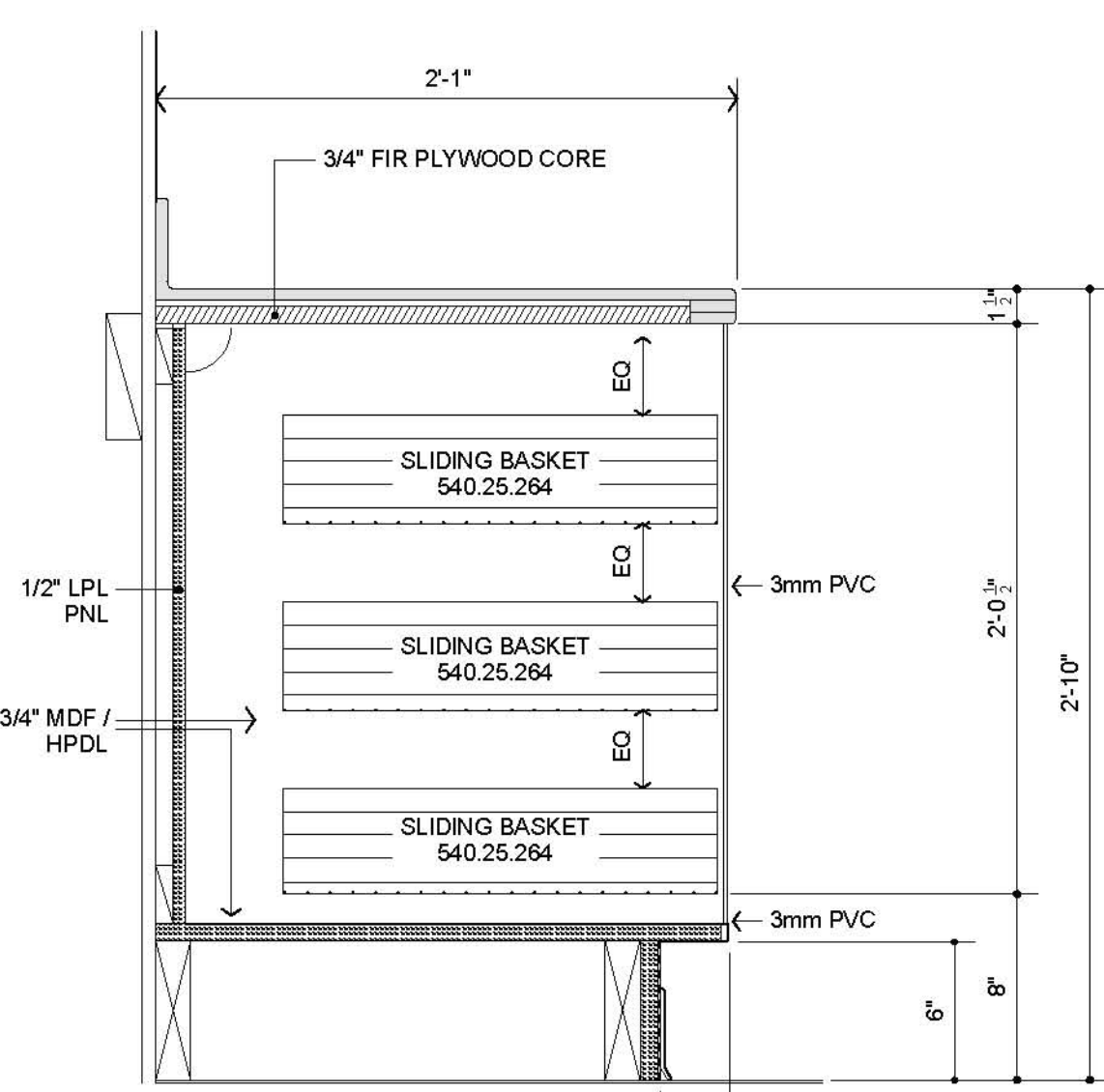
4 REFRIGERATOR BASE SECTION  
 1 1/2" = 1'-0"



5 REFRIGERATOR BASE SECTION  
 1 1/2" = 1'-0"



6 SINK BASE SECTION  
 1 1/2" = 1'-0"



7 BASE CABINET SECTION  
 1 1/2" = 1'-0"

**Materials and Hardware**

3 MM PVC EDGING	TO MATCH HPDL
ADJ. SHELVING STANDARDS	SPUR STEEL-LOK
ADJ. SHELVING BRACKETS	SPUR STEEL-LOK
BULLETIN BOARDS (BB)	FORBO "BULLETIN BOARD" 1/4" TH TACKABLE GRANULATED CORK LINOLEUM SHEET
CABINET AND DRAWER PULLS	IVES #38 B26D
CABINET HINGES	BLUM SERIES 125 SELF CLOSING
COUNTER GROMMETS	BLACK
COUNTER SUPPORT BRACKETS	A&M HARDWARE / SIZE AS SHOWN / POWDER COATED BLACK
DRAWER SLIDES	ACCURIDE
IV HOOKS	IVES #680 B26D (SEE ELEV 2/A3.1)
MAG HPDL	"MAGNETICO" MARKER BOARD BY ABET LAMINATI (WHITE)
PLAM COUNTERS	PIONITE 0.050" SUEDE FINISH
PLAM CASEWORK	PIONITE 0.050" SUEDE FINISH
PLAM ADJ SHELVES	PIONITE 0.050" SUEDE FINISH
SOLID SURFACING (SSM)	CORIAN (COLOR TO BE SELECTED FROM GROUP EOR.F)

**Notes:**

- RUN ALL MAPLE PANEL WOOD GRAIN DIRECTION VERTICALLY UNLESS OTHERWISE NOTED.

ARENA is the result of a manufacturing technology that uses melamine material with a polished chrome surround.

ARENA plus non-slip surface prevents stored items from sliding.

Material: Shell: melamine  
 Surround: steel  
 Slides: steel, galvanized

**ARENA Slip**

Inside cabinet width	Basket width	white/ chrome-plated	maple/ chrome-plated	maple/ champagne
368 (14 1/2")	352 (13 7/8")	540.25.203	540.25.163	540.25.403
418 (16 1/2")	402 (15 7/8")	540.25.204	540.25.164	540.25.404
468 (18 3/8")	452 (17 3/4")	540.25.205	540.25.165	540.25.405
568 (22 3/8")	552 (21 3/4")	540.25.207	540.25.167	540.25.407

Packing: 1 set

**SLIDING BASKET**  
 HAFLE AMERICA CO.