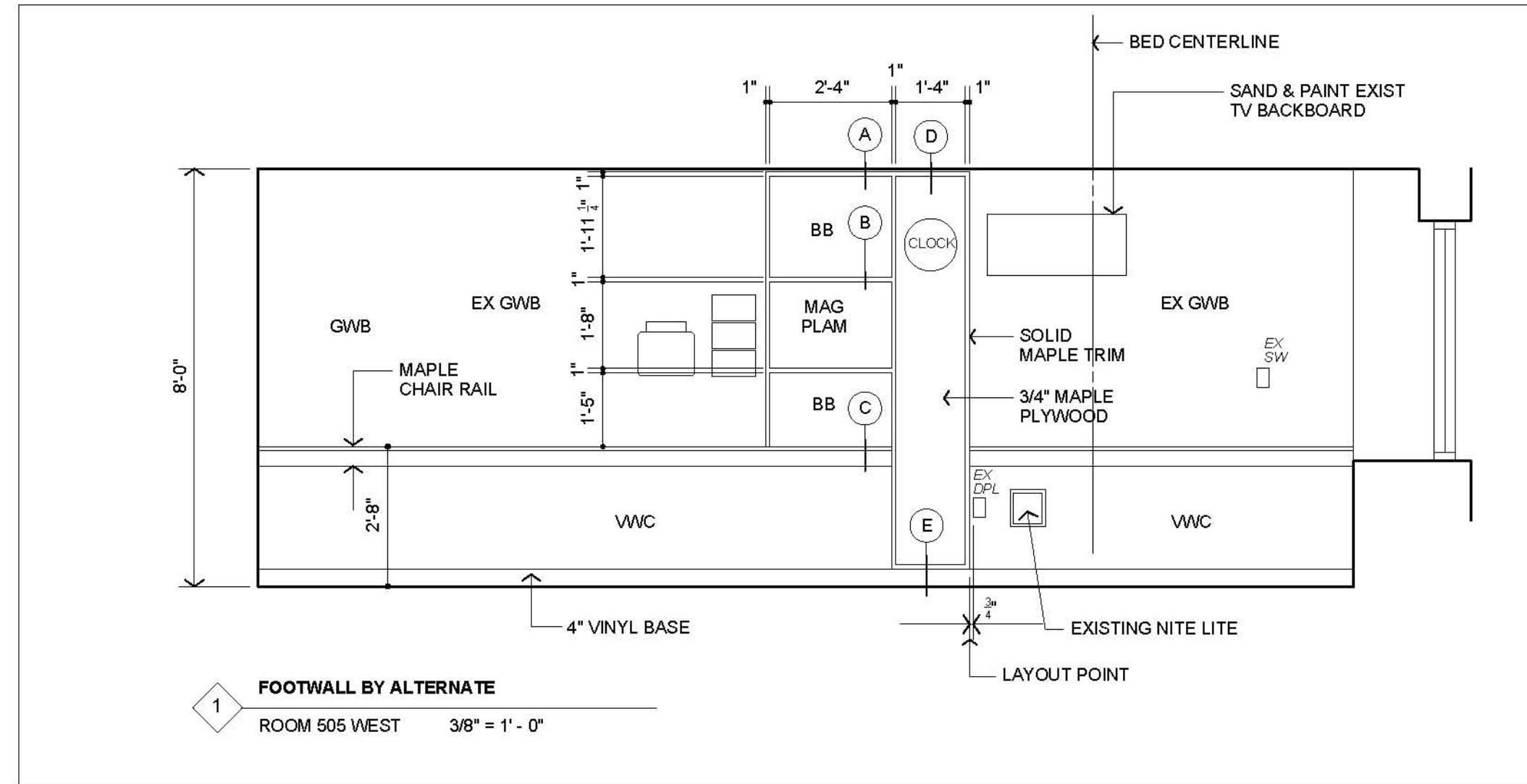
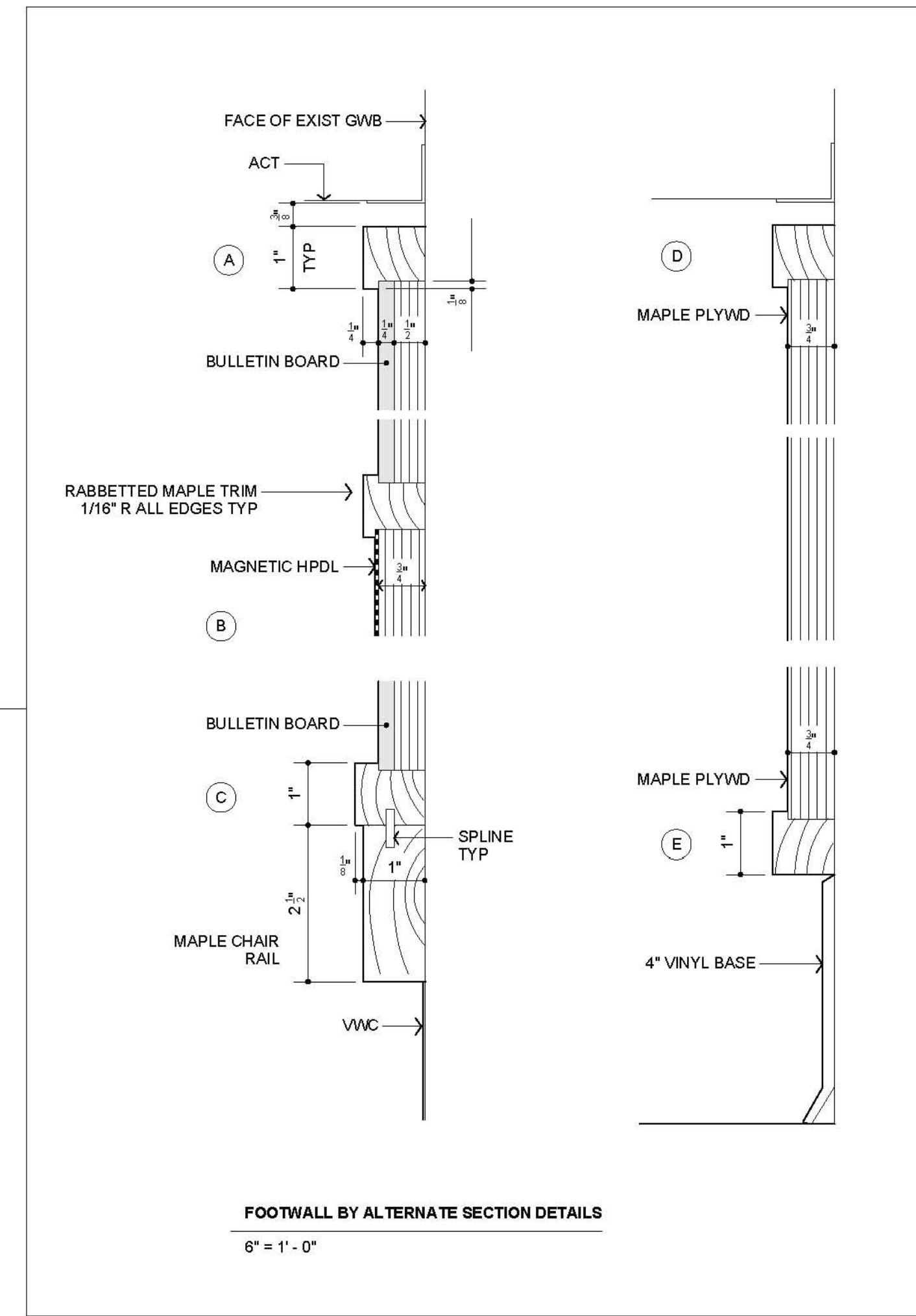


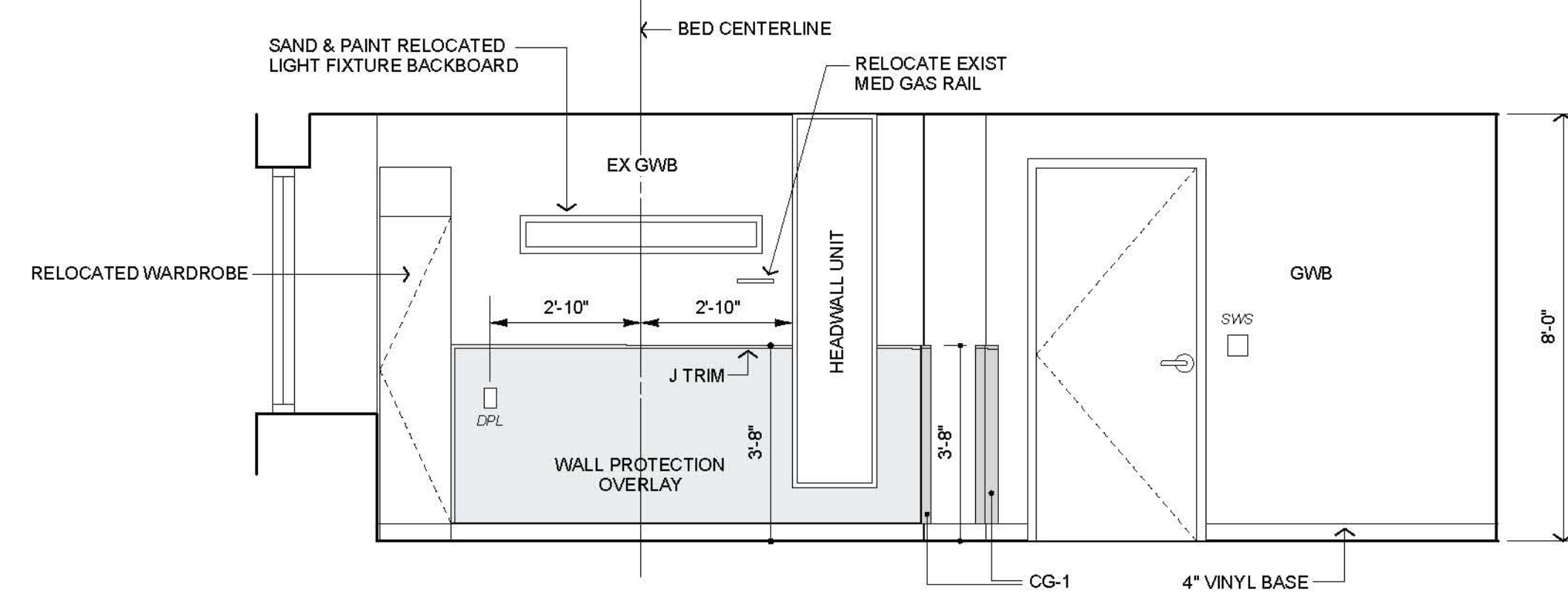
1 FOOTWALL BY BASE BID
 ROOM 505 WEST 3/8" = 1' - 0"



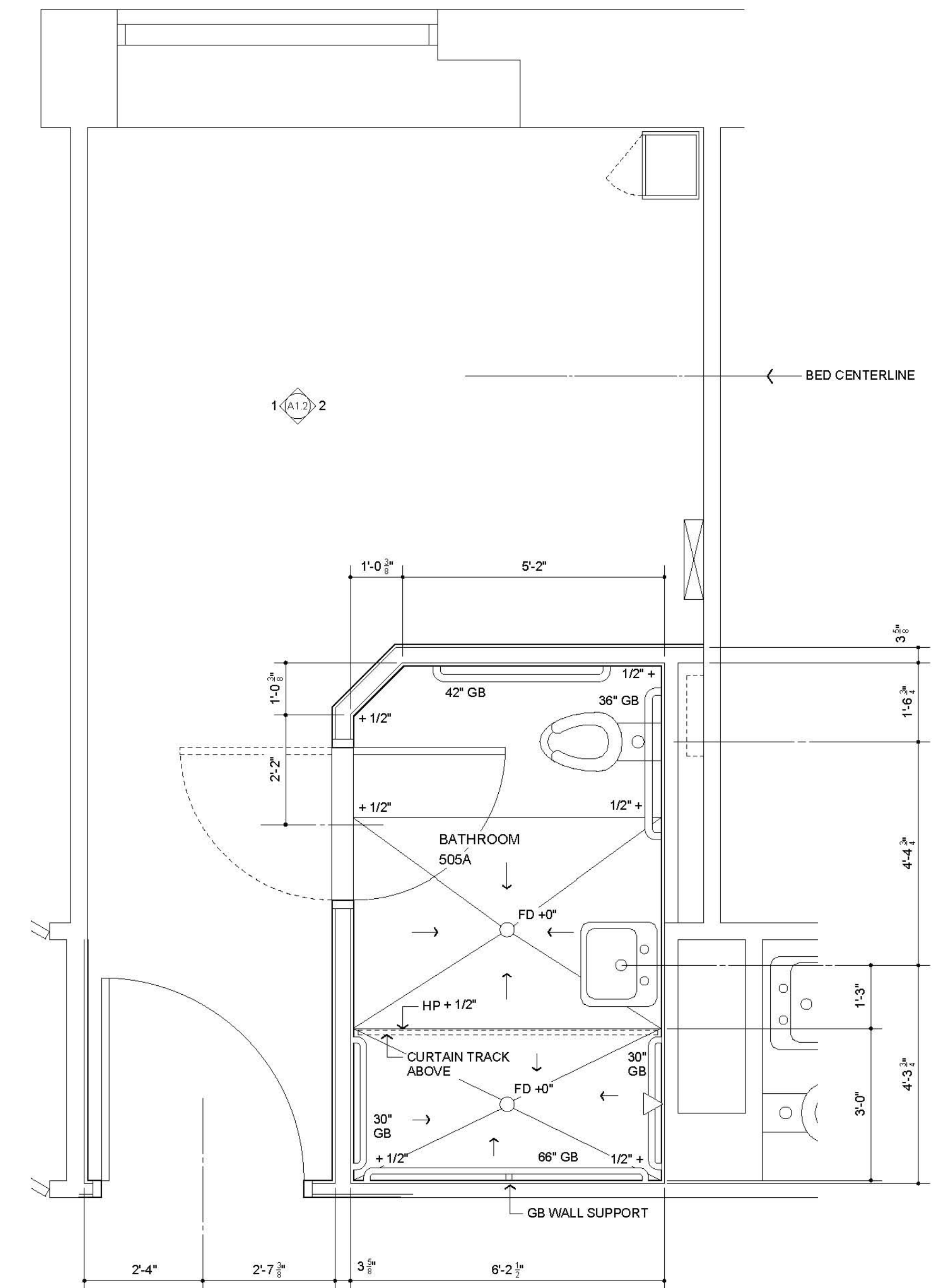
1 FOOTWALL BY ALTERNATE
 ROOM 505 WEST 3/8" = 1' - 0"



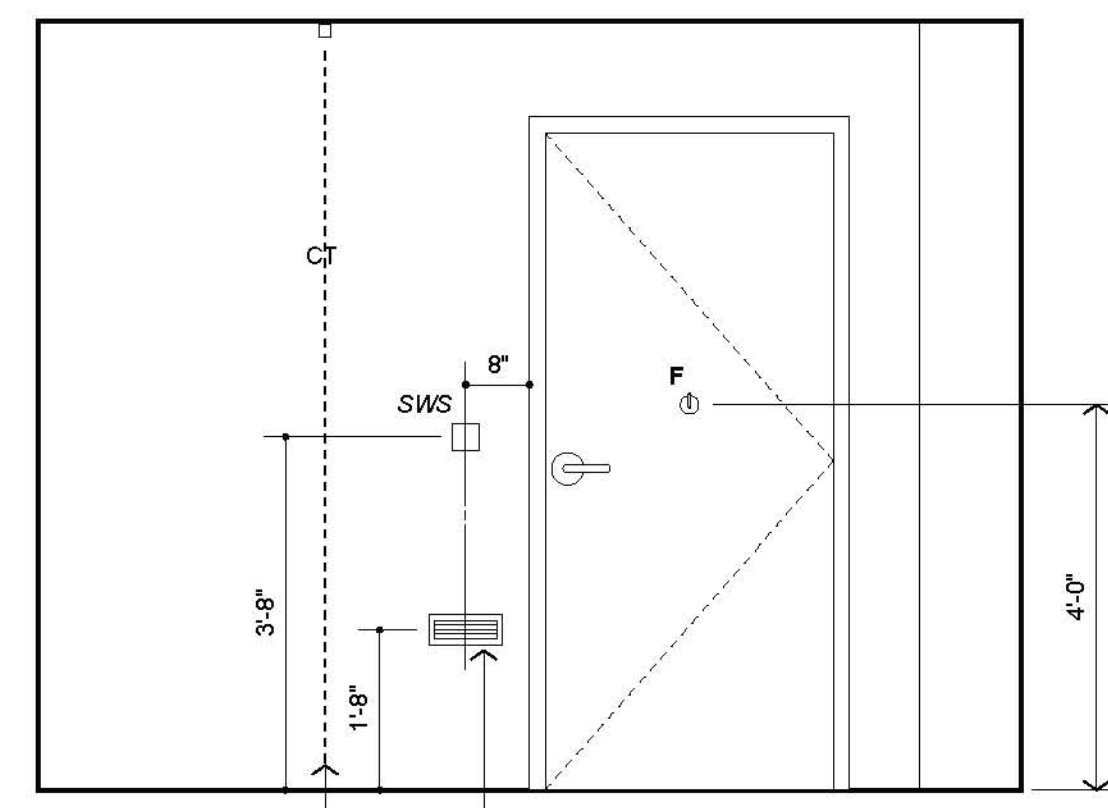
FOOTWALL BY ALTERNATE SECTION DETAILS
 6" = 1' - 0"



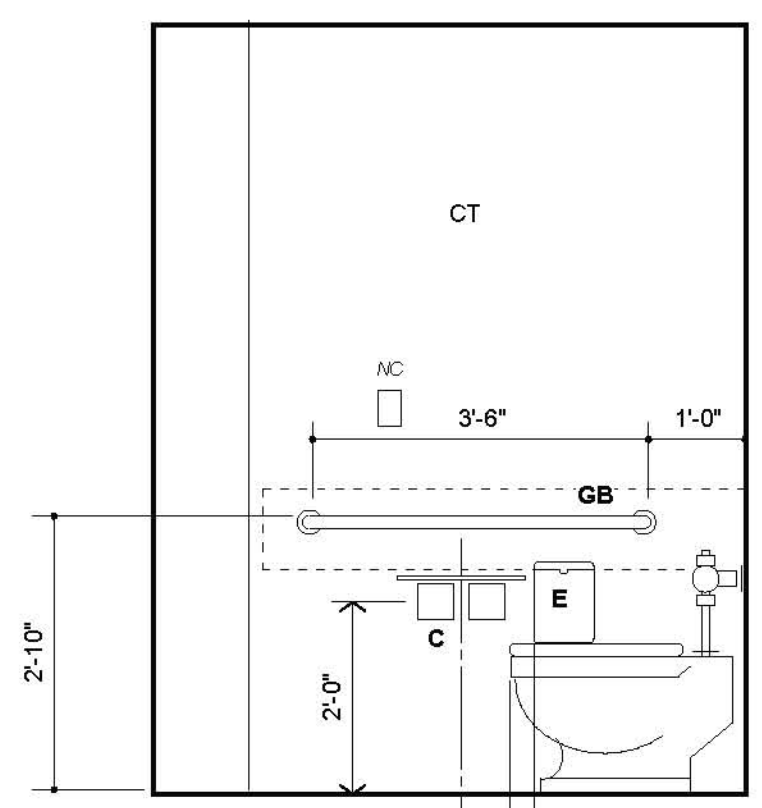
2 HEADWALL ELEVATION
 ROOM 505 EAST 3/8" = 1' - 0"



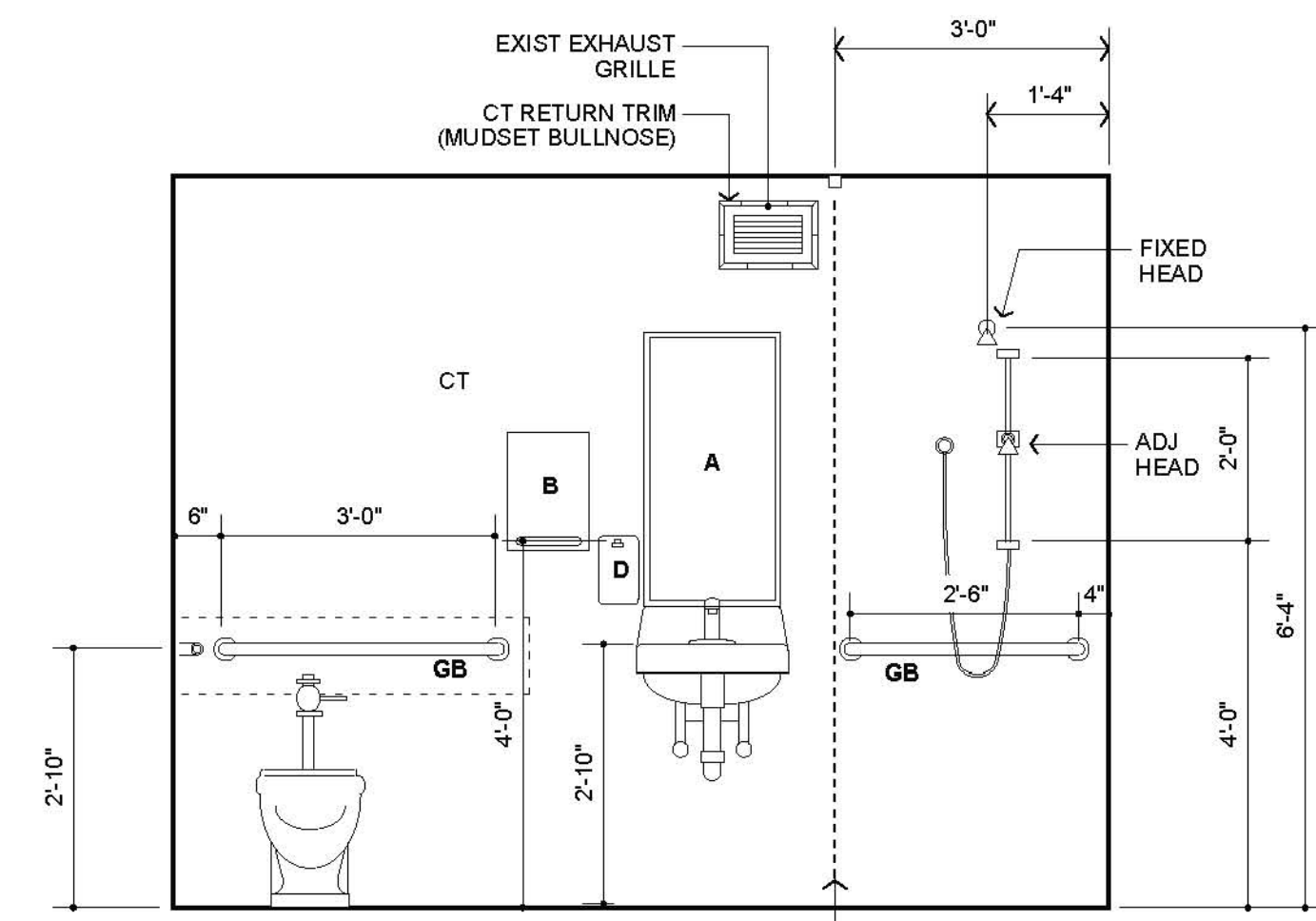
A PATIENT BATHROOM 505A FLOOR PLAN
 1/2" = 1' - 0"



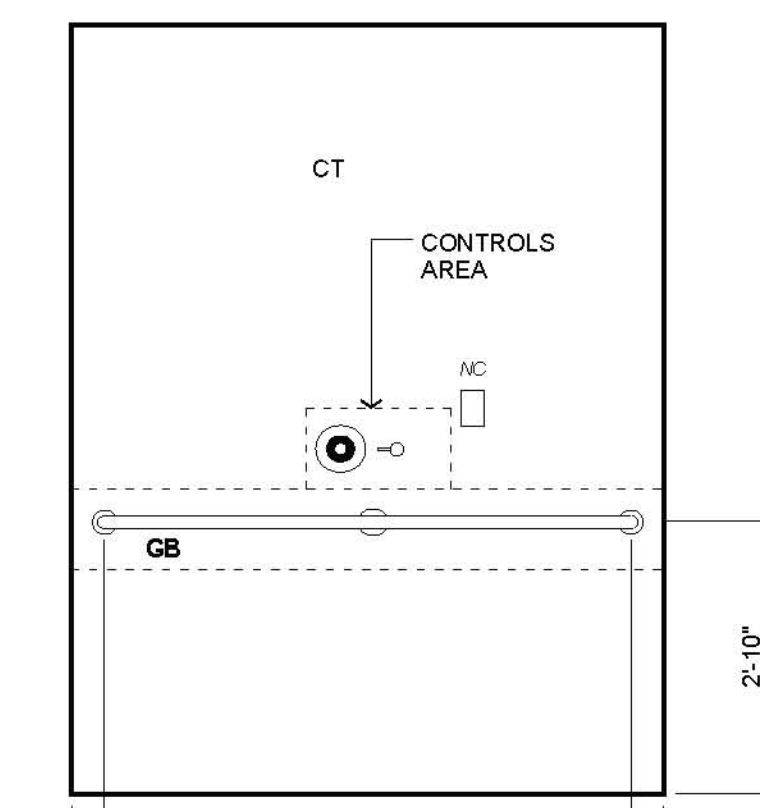
1 PATIENT BATH
 ROOM 505A WEST 1/2" = 1' - 0"



2 PATIENT BATH
 ROOM 505A NORTH 1/2" = 1' - 0"

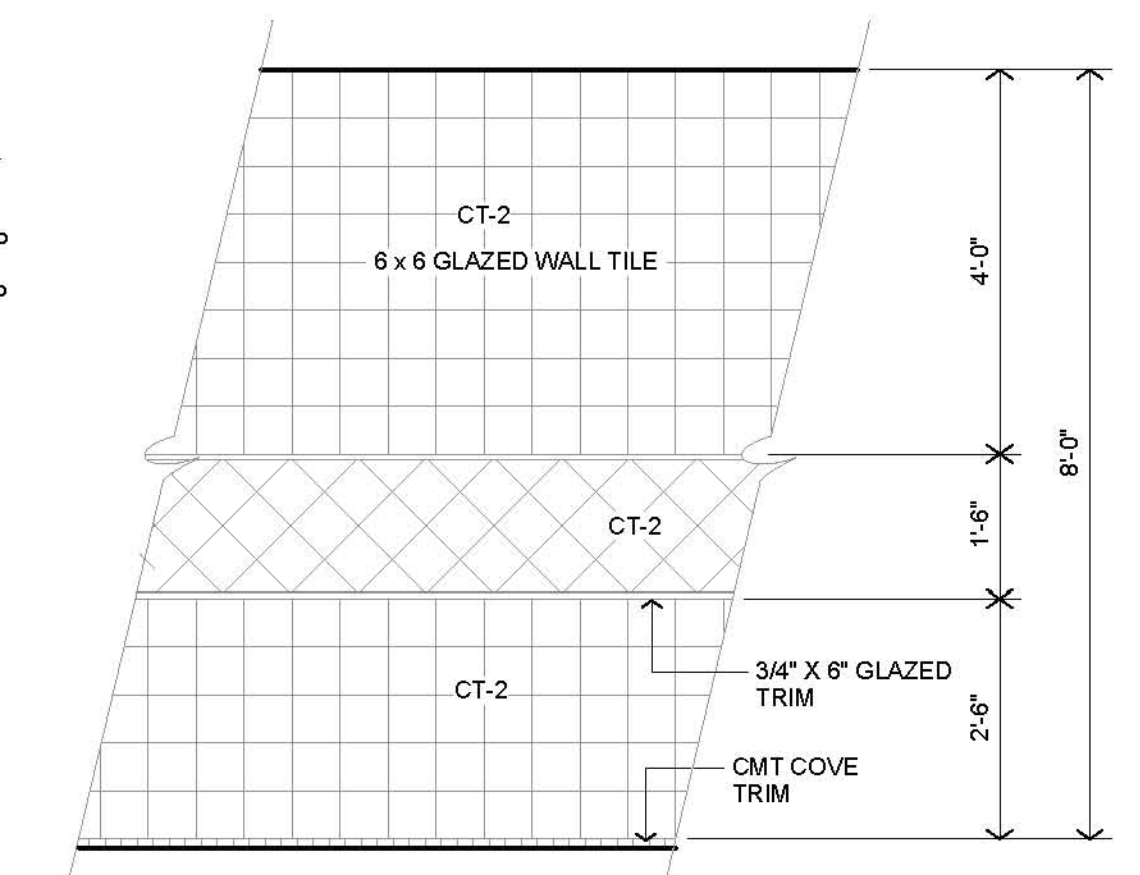


3 PATIENT BATH
 ROOM 505A EAST 1/2" = 1' - 0"



4 PATIENT BATH
 ROOM 505A SOUTH 1/2" = 1' - 0"

- Accessories Key**
- A MIRROR
 - B PAPER TOWEL DISP
 - C TOILET PAPER DISP
 - D SOAP DISP
 - E SAN NAPKIN DISP
 - F GRAB BAR
 - GB ROBE HOOK



PATIENT BATH TYPICAL CERAMIC TILE PATTERN
 PROVIDE AT ELEVATIONS 1 THROUGH 4 1/2" = 1' - 0"

Richards Wing
 Fifth Floor
 Renovations

Maine Medical Center
 Portland, Maine 04102

Architect
 Winton Scott Architects, PA
 Portland, Maine

Mechanical Design / Build
 Johnson & Jordan
 Portland, Maine

Enlarged Plan
 Patient Room 505

A 1.2

Scale: As Shown
 August 28, 2009