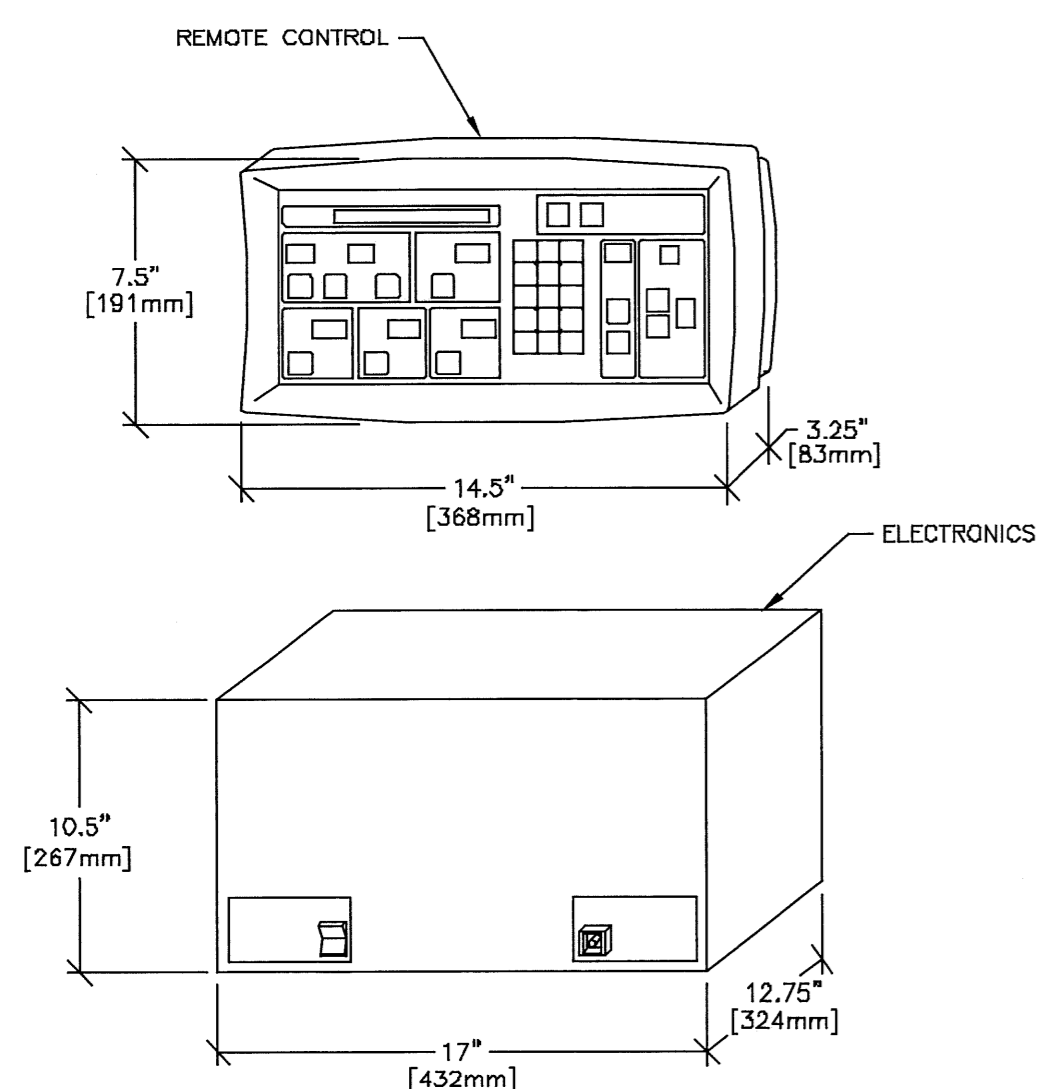


EQUIPMENT DETAIL
INJECTOR REMOTE CONTROL AND ELECTRONICS

B50-28

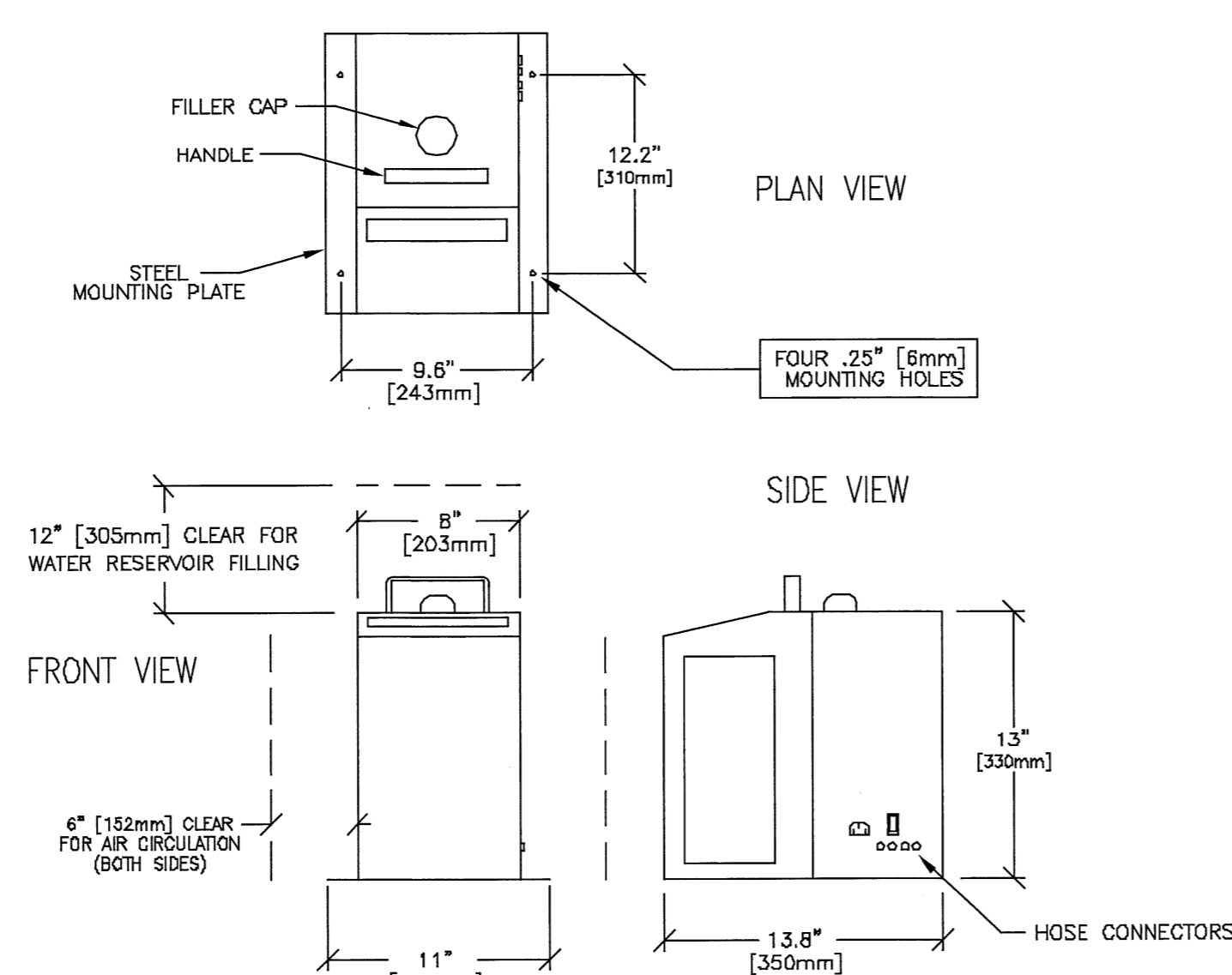


DRAWING NOT TO SCALE

EQUIPMENT DETAIL
INNOVA DETECTOR COOLER

B5049F

REV. DATE: 8/01/00



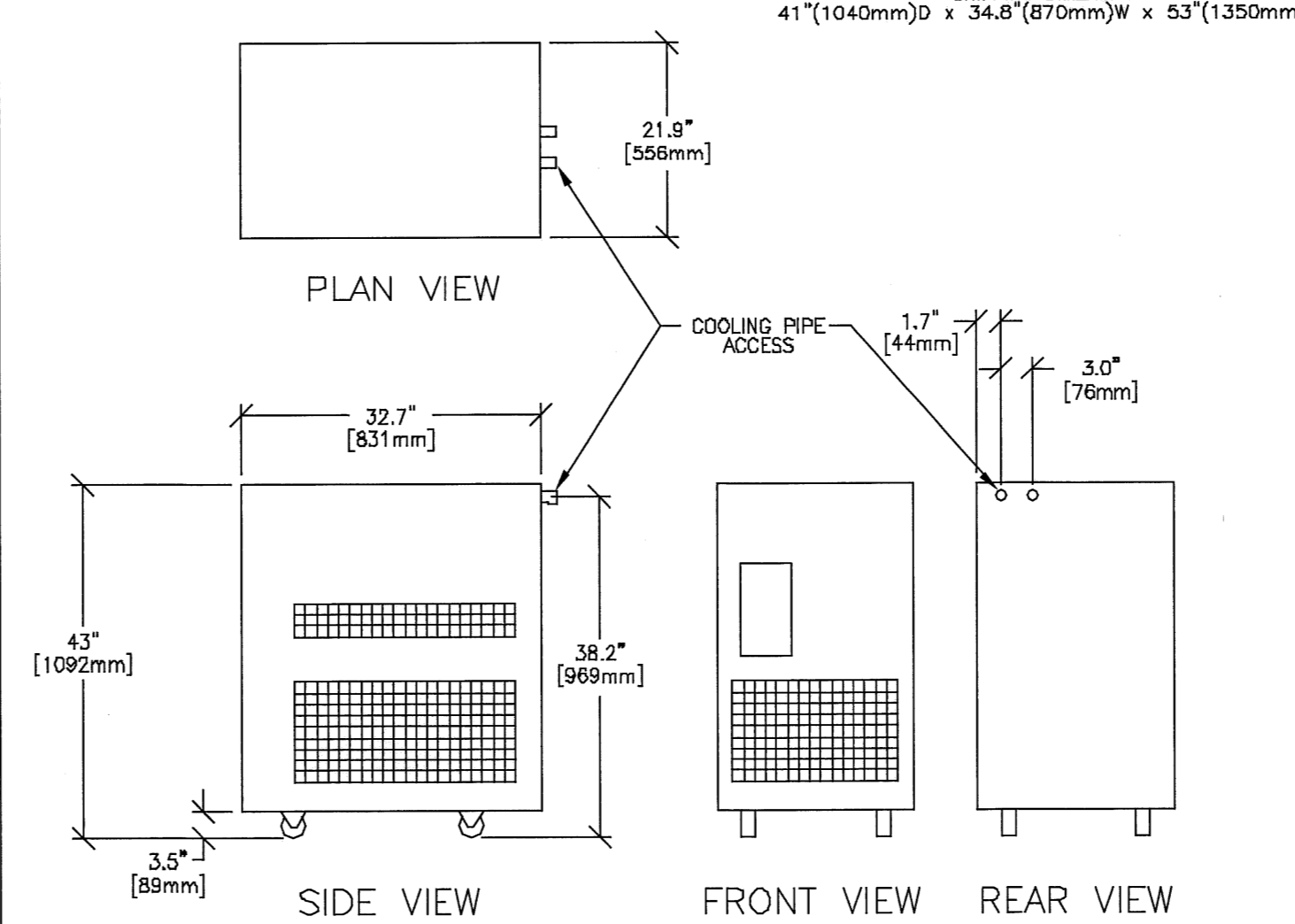
DETAIL NOT TO SCALE

EQUIPMENT DETAIL
COOLIX 4000 RECIRCULATING CHILLER

M0917B

REV. DATE: 05/17/05

SHIPPING DIMENSIONS: 41" (1040mm) D x 34.8" (870mm) W x 53" (1350mm) H

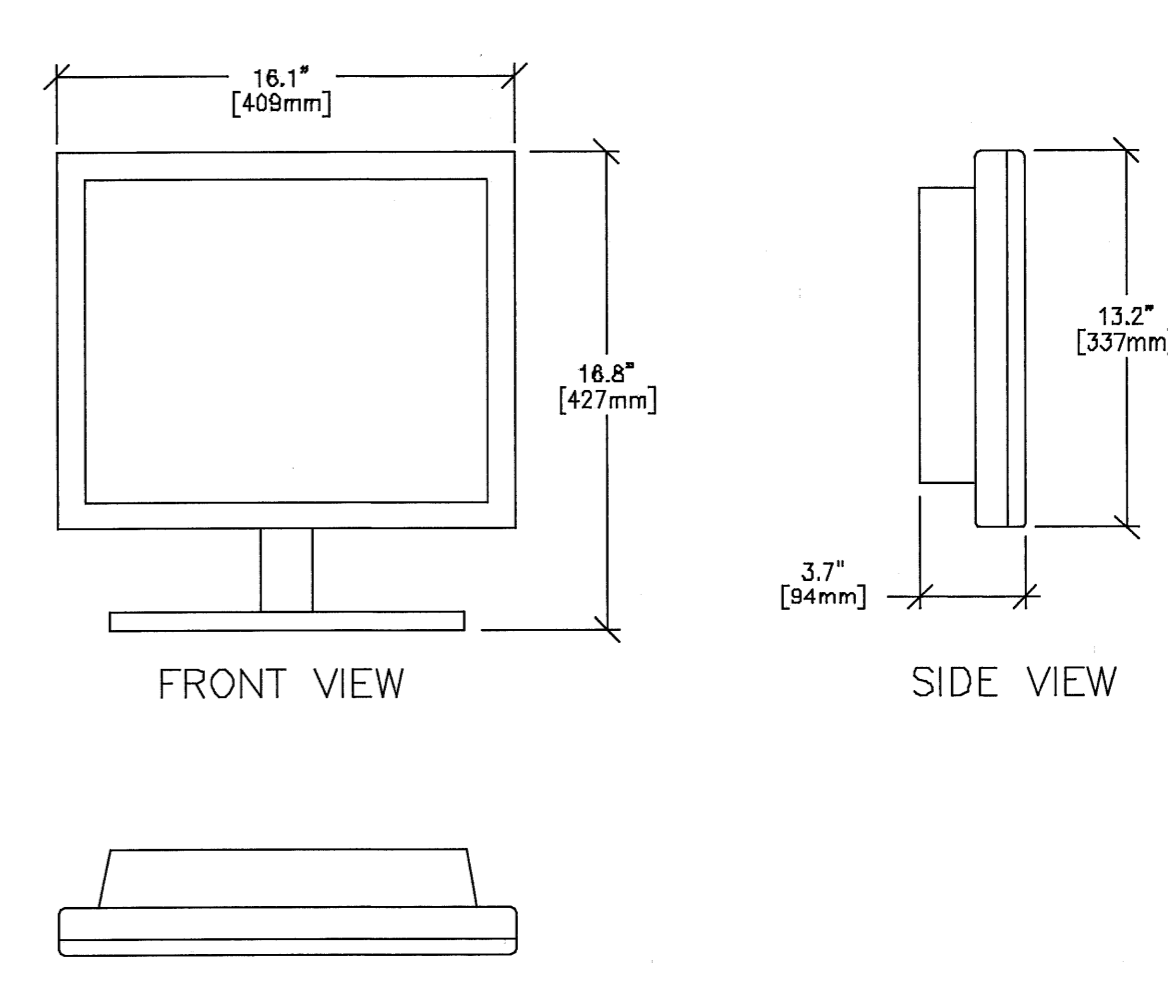


DETAIL NOT TO SCALE

EQUIPMENT DETAIL
18" FLAT PANEL MONITOR

C76-17

REV. DATE: 04/21/03

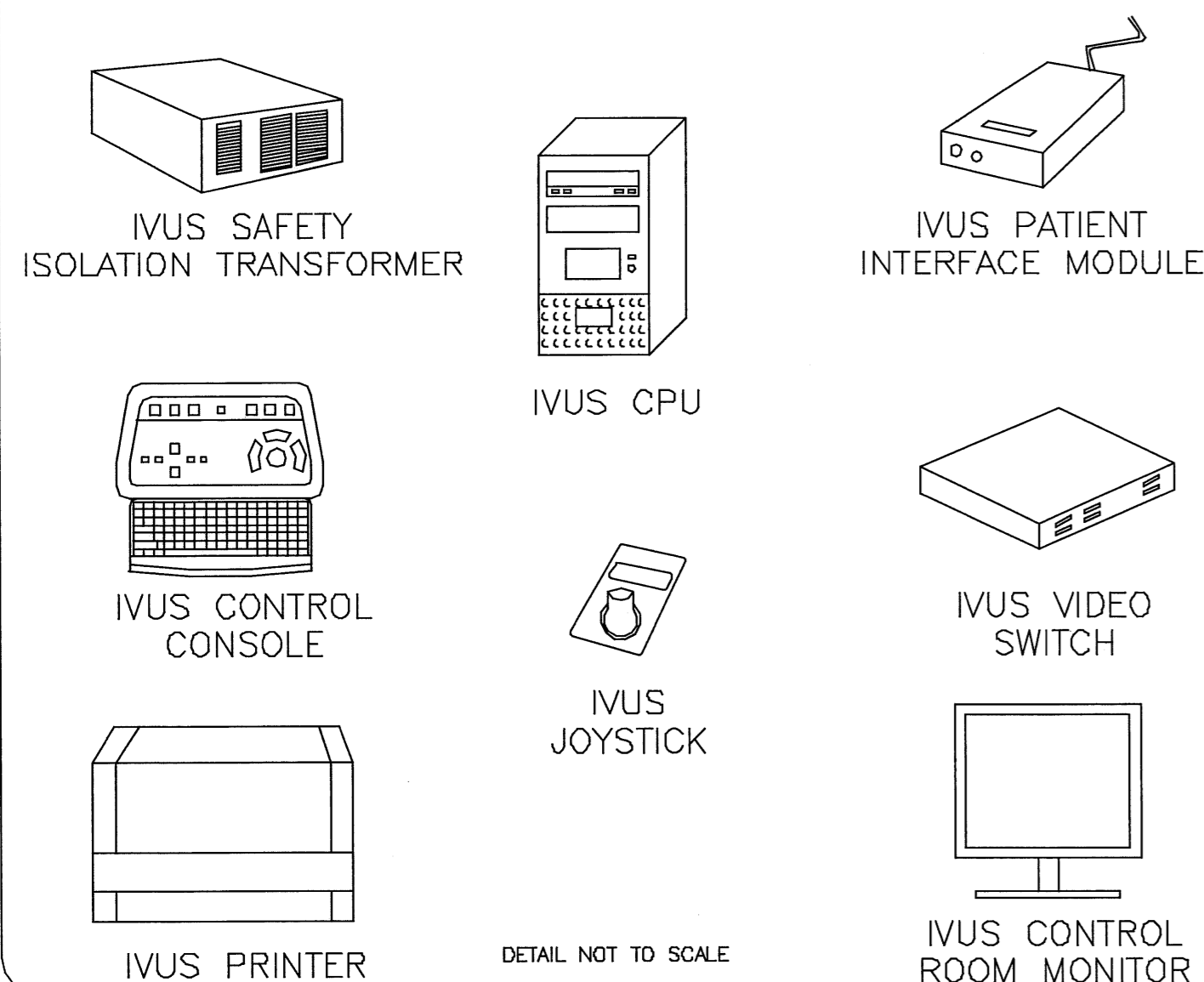


DETAIL NOT TO SCALE

EQUIPMENT DETAIL
IVUS VOLCANO S5i WORKSTATION

BS5i

REV. DATE: 04/04/08

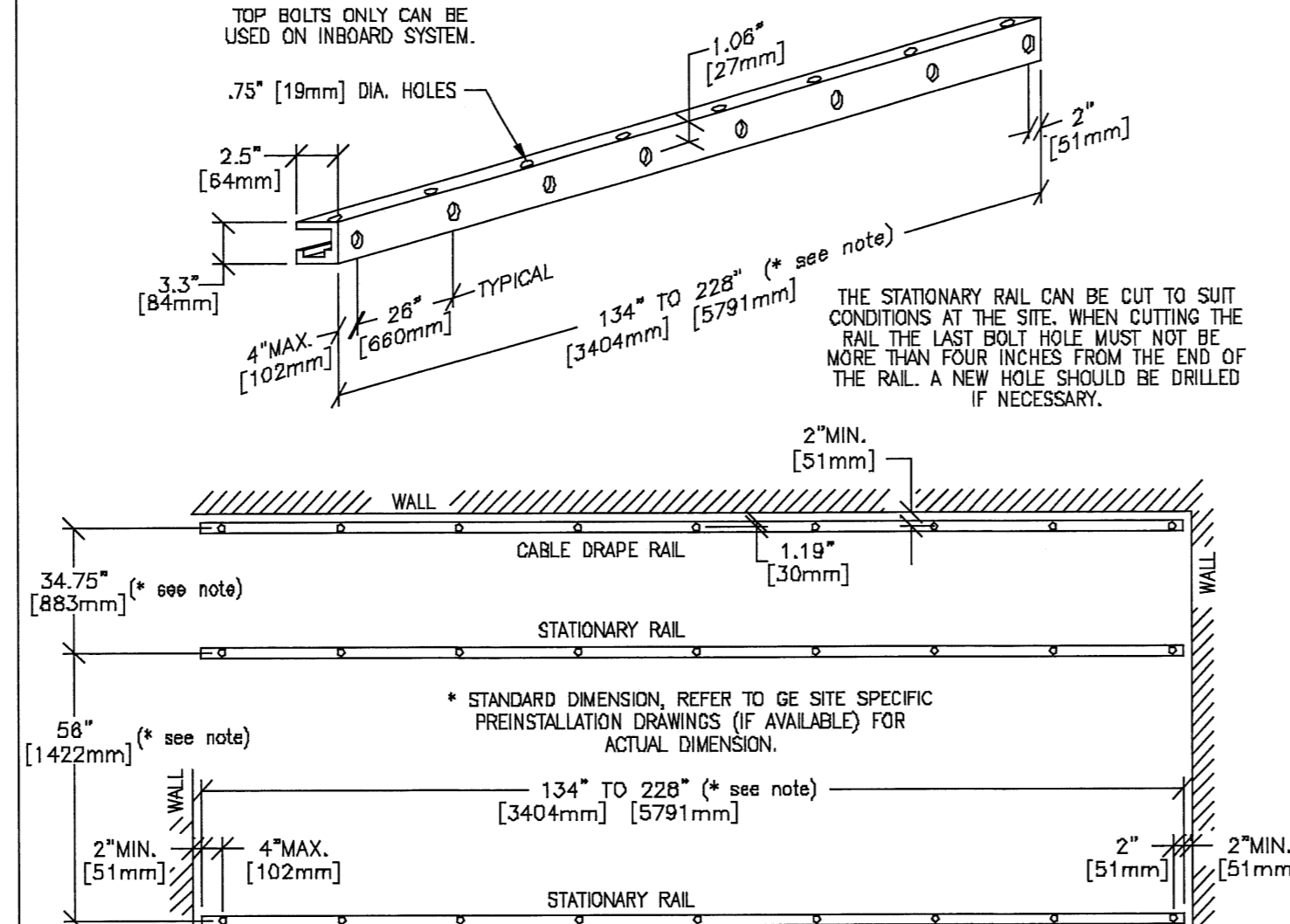


DETAIL NOT TO SCALE

EQUIPMENT DETAIL
XT RADIOGRAPHIC SUSPENSION, INBOARD MOUNTING

B2004

REV. DATE: 12/07/94

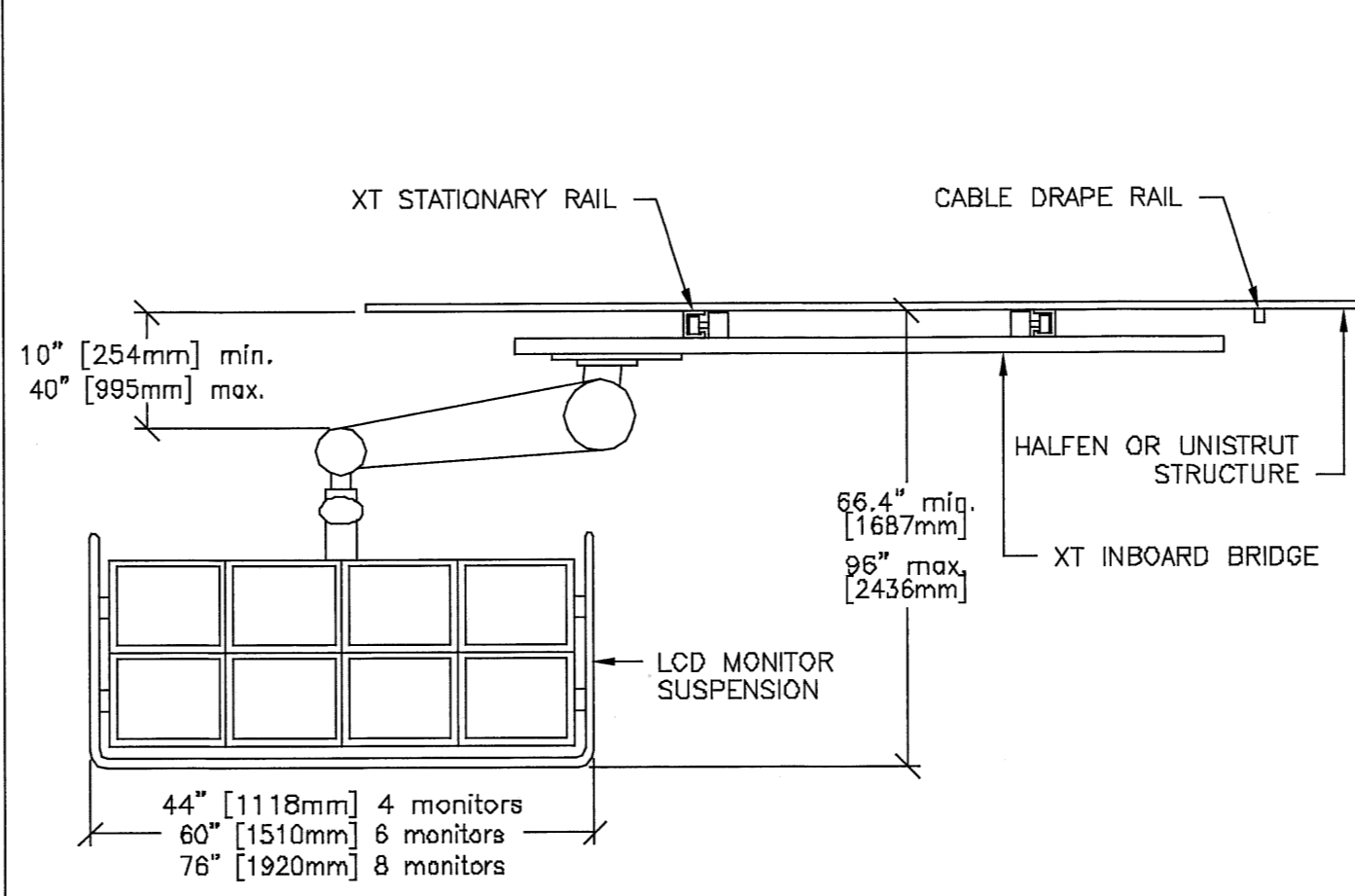


DETAIL NOT TO SCALE

EQUIPMENT DETAIL
LCD MONITOR SUSPENSION, 4, 6 OR 8 MONITORS

B2010A

REV. DATE: 12/16/03

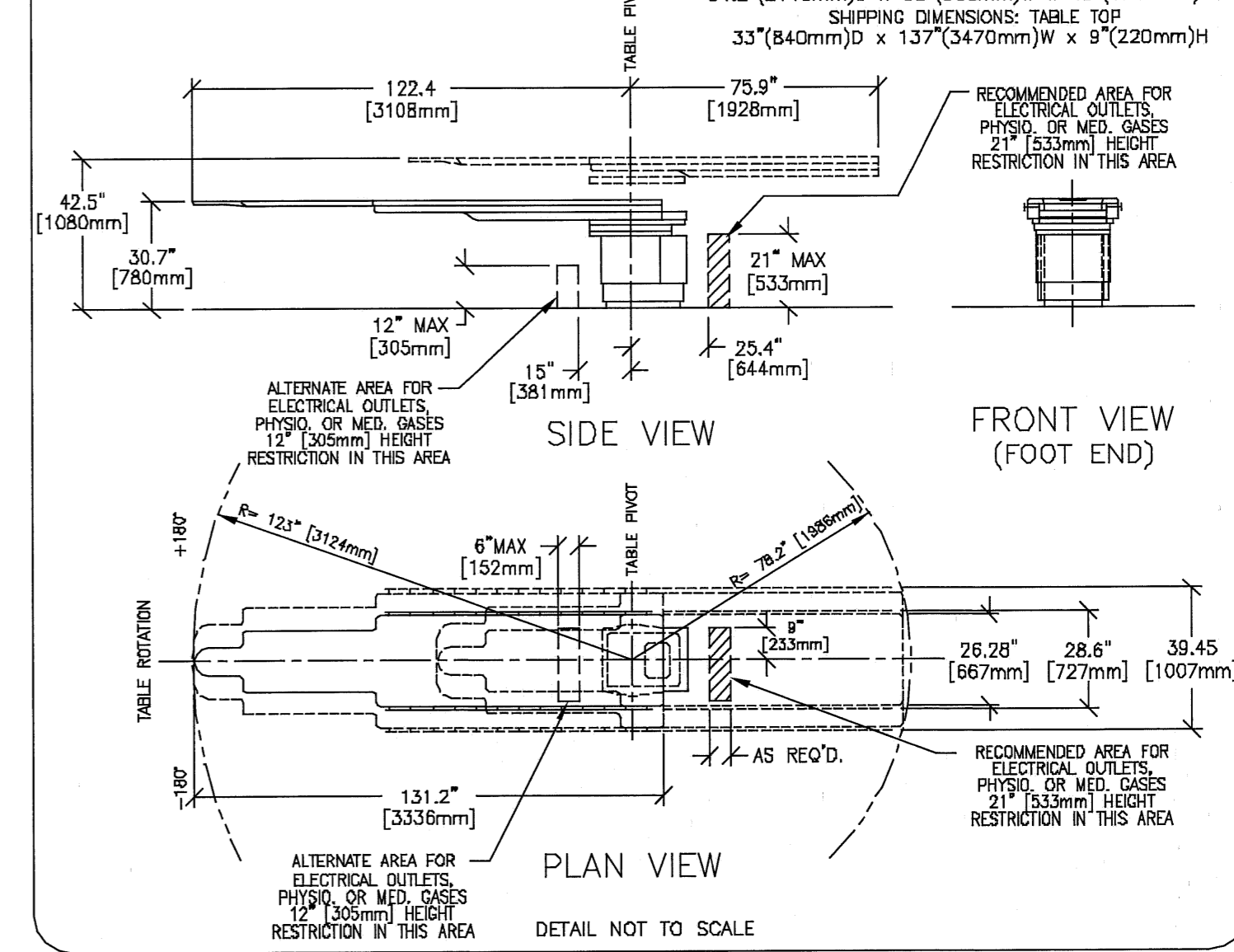


DETAIL NOT TO SCALE

EQUIPMENT DETAIL
OMEGA IV ANGIO/V LONG VASCULAR TABLE/STEPPING TOP

B5037

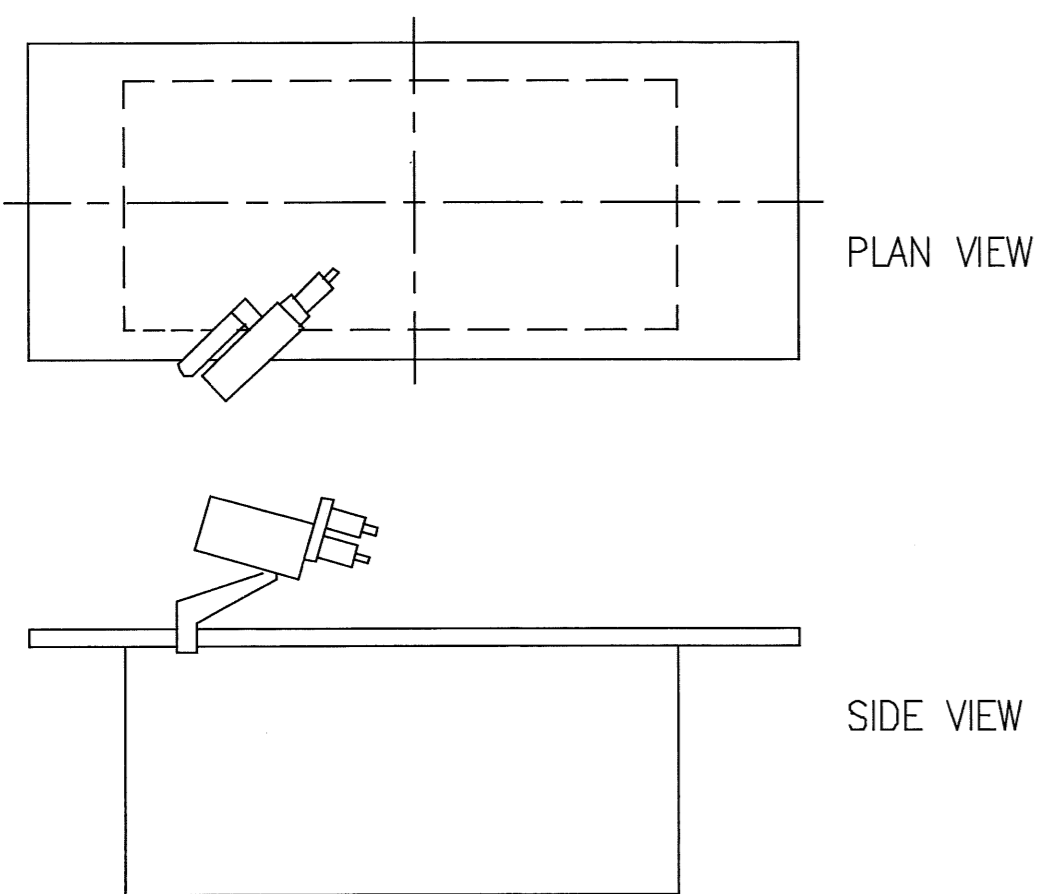
REV. DATE: 05/18/05



DETAIL NOT TO SCALE

EQUIPMENT DETAIL
INJECTOR ON TABLE RAIL

B50-30A

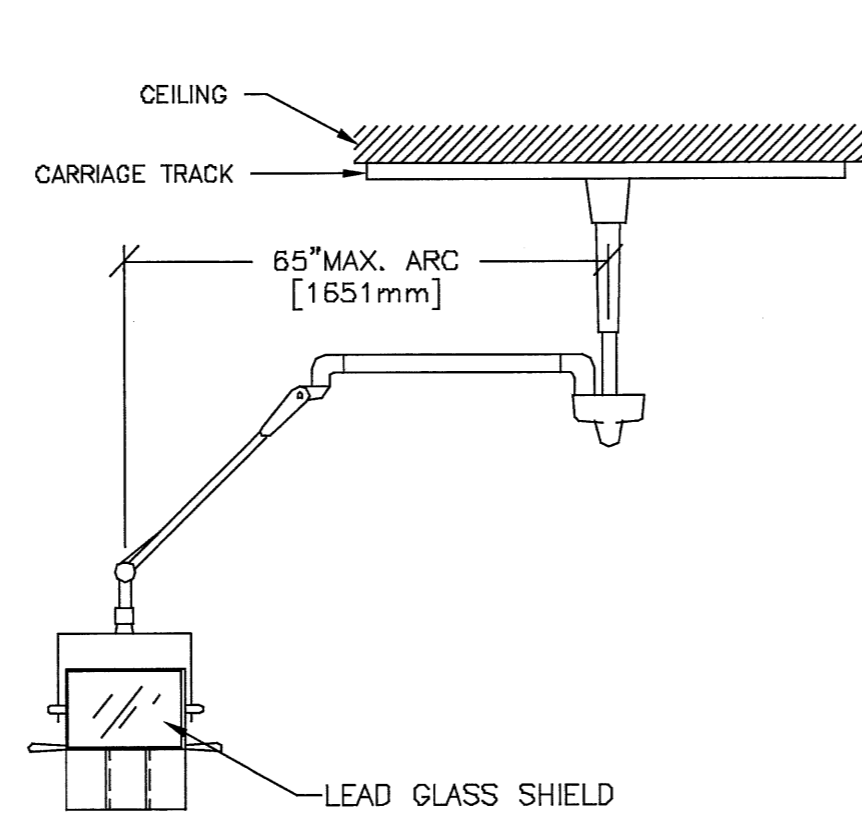


DRAWING NOT TO SCALE

EQUIPMENT DETAIL
MAGI EYE & THYROID SHIELD

B50-31D

REV. 00: 10/03/97



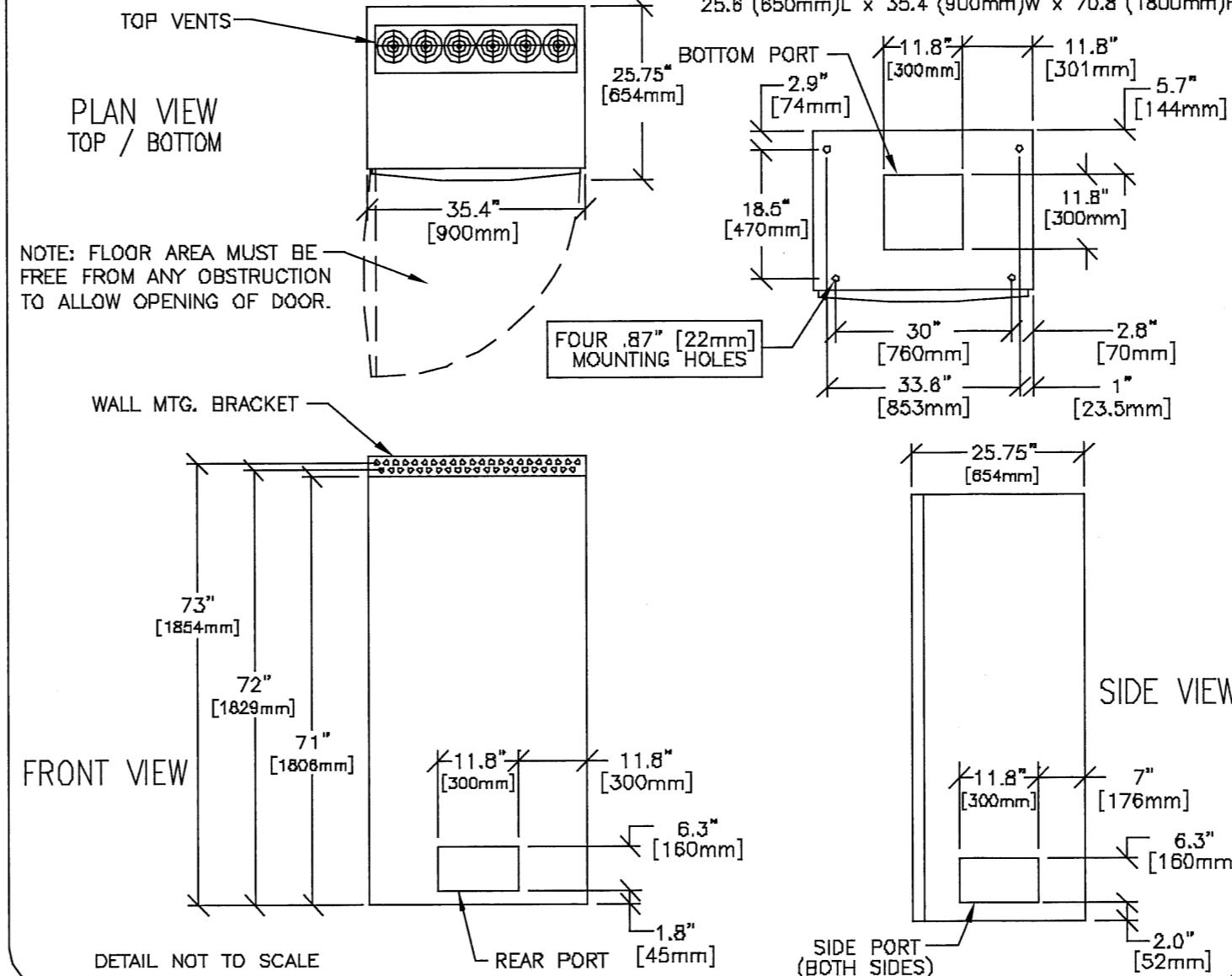
DETAIL NOT TO SCALE

EQUIPMENT DETAIL
INNOVA 2100/3100/4100 CABINETS

B0558C

REV. DATE: 01/04/07

SHIPPING DIMENSIONS: 25.8" (650mm) L x 35.4" (900mm) W x 70.8" (1800mm) H

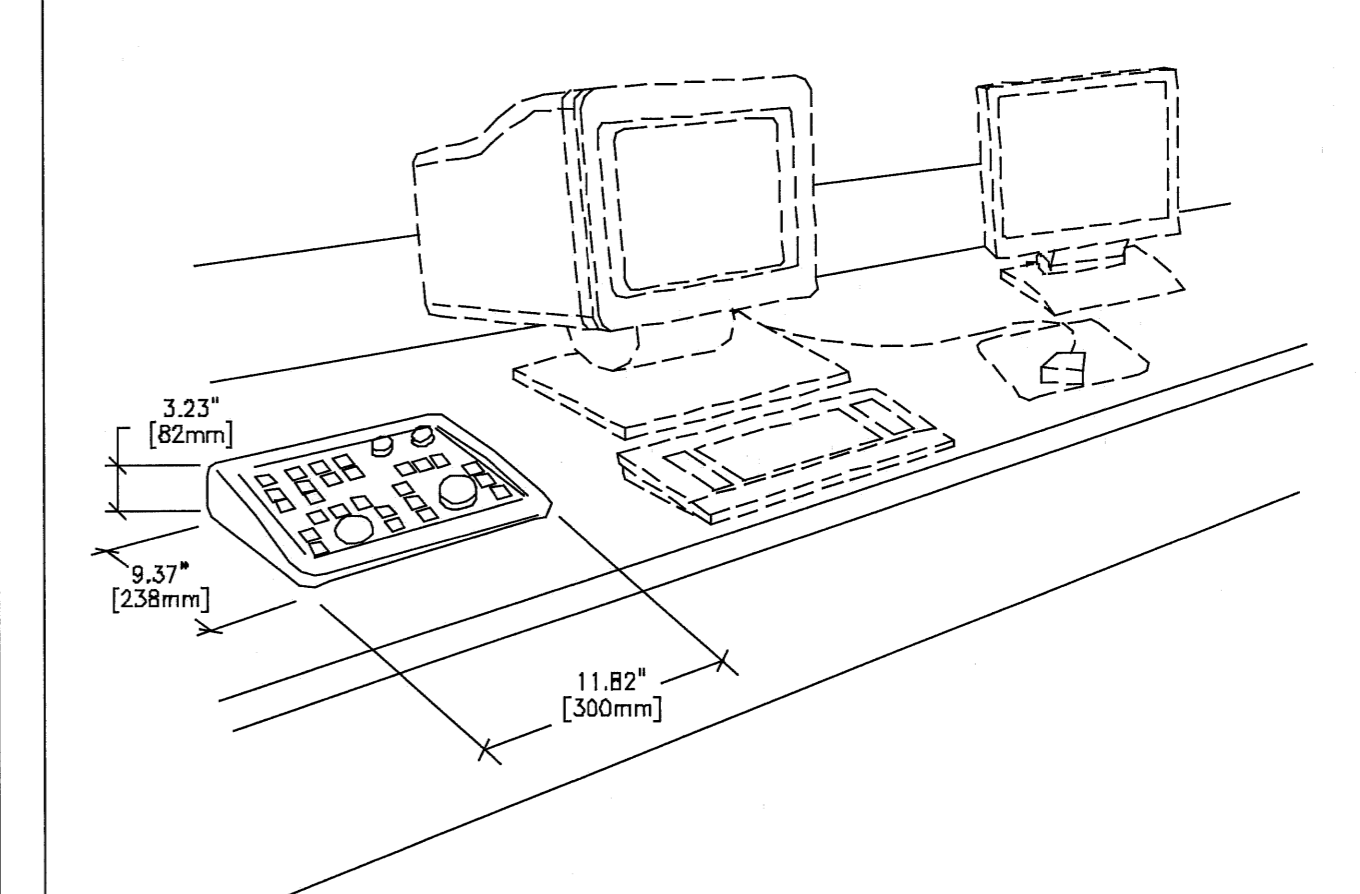


DETAIL NOT TO SCALE

EQUIPMENT DETAIL
DLX or DL KEYPAD

C7412H

REV. DATE: 09/03/03



DETAIL NOT TO SCALE

This drawing is based on Sketch No.: Option 4 - B8-09009.tjm2

GE Healthcare
Installation Services - Design Center
Waukesha, Wisconsin

SHEET TITLE: EQUIPMENT DETAILS
MODALITY TYPE: INNOVA 3100
THIS PLAN IS SUBMITTED TO SUGGEST LOCATION OF GE HEALTHCARE EQUIPMENT AND ASSOCIATED APPARATUS, ELECTRICAL WIRING DETAILS AND ROOM ARRANGEMENTS. IN PREPARING THIS PLAN, EVERY EFFORT HAS BEEN MADE TO OBTAIN THE MOST ACCURATE INFORMATION AVAILABLE. HOWEVER, THE COMPANY CANNOT ACCEPT RESPONSIBILITY FOR ANY DAMAGES RESULTING THEREFROM.

PROJECT TITLE: ROOM NO. CATH LAB 2
MAINE MEDICAL CENTER
PORTLAND, MAINE

PROJECT	REVISION
090498	00

DATE: 02-27-09
DRAWN BY: TST
CHECKED BY: TST
GON NO: 2770927
GON DT: 02-23-09

REVISION HISTORY:

SHEET
D1

THIS SHEET IS PART OF THE DOCUMENT SET LISTED ON SHEET C1 AND SHOULD NOT BE SEPARATED