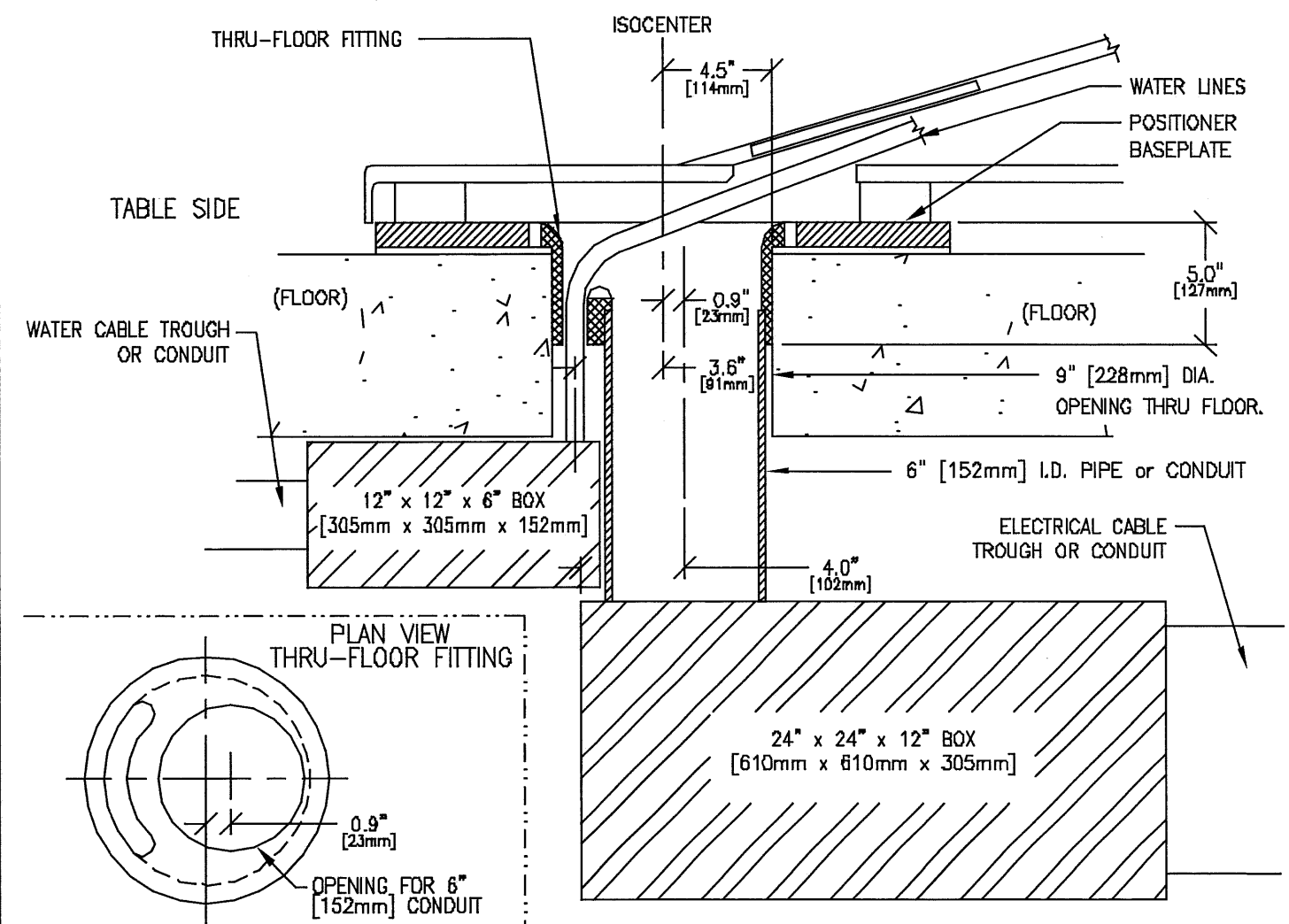


ELECTRICAL DETAIL  
POSITIONER INTERCONNECT DETAIL, UNDER FLOOR

ELEC-100

REV. DATE: 03/30/04

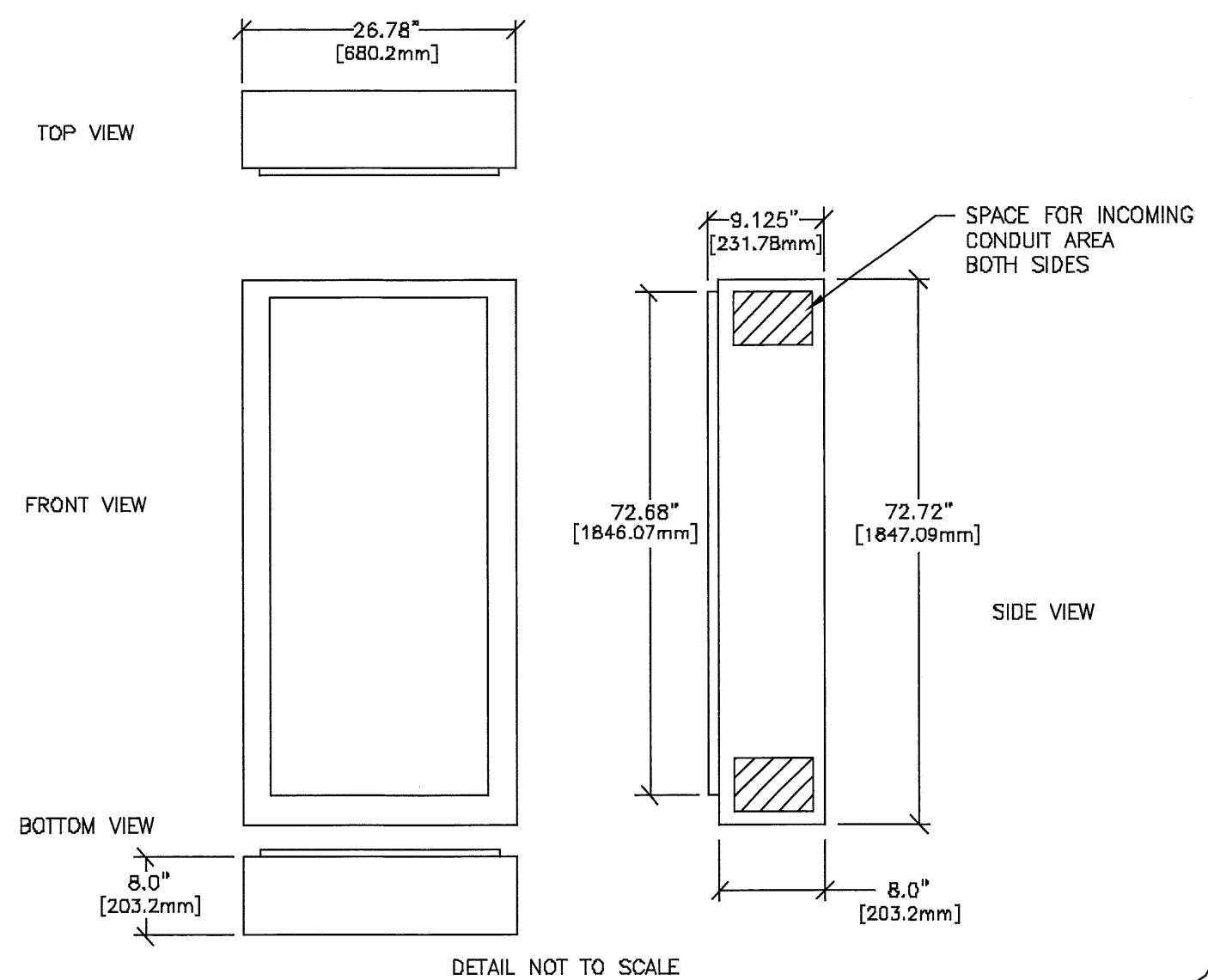


NOTE: PIPE, JUNCTION BOX AND DUCT OR CONDUIT ARE TO BE SUPPLIED AND INSTALLED BY CUSTOMER OR CUSTOMER'S CONTRACTOR.  
DETAIL NOT TO SCALE

ELECTRICAL DETAIL  
INNOVA 2100 MAIN DISCONNECT PANEL

ELEC-142

REV. DATE: 12/13/05

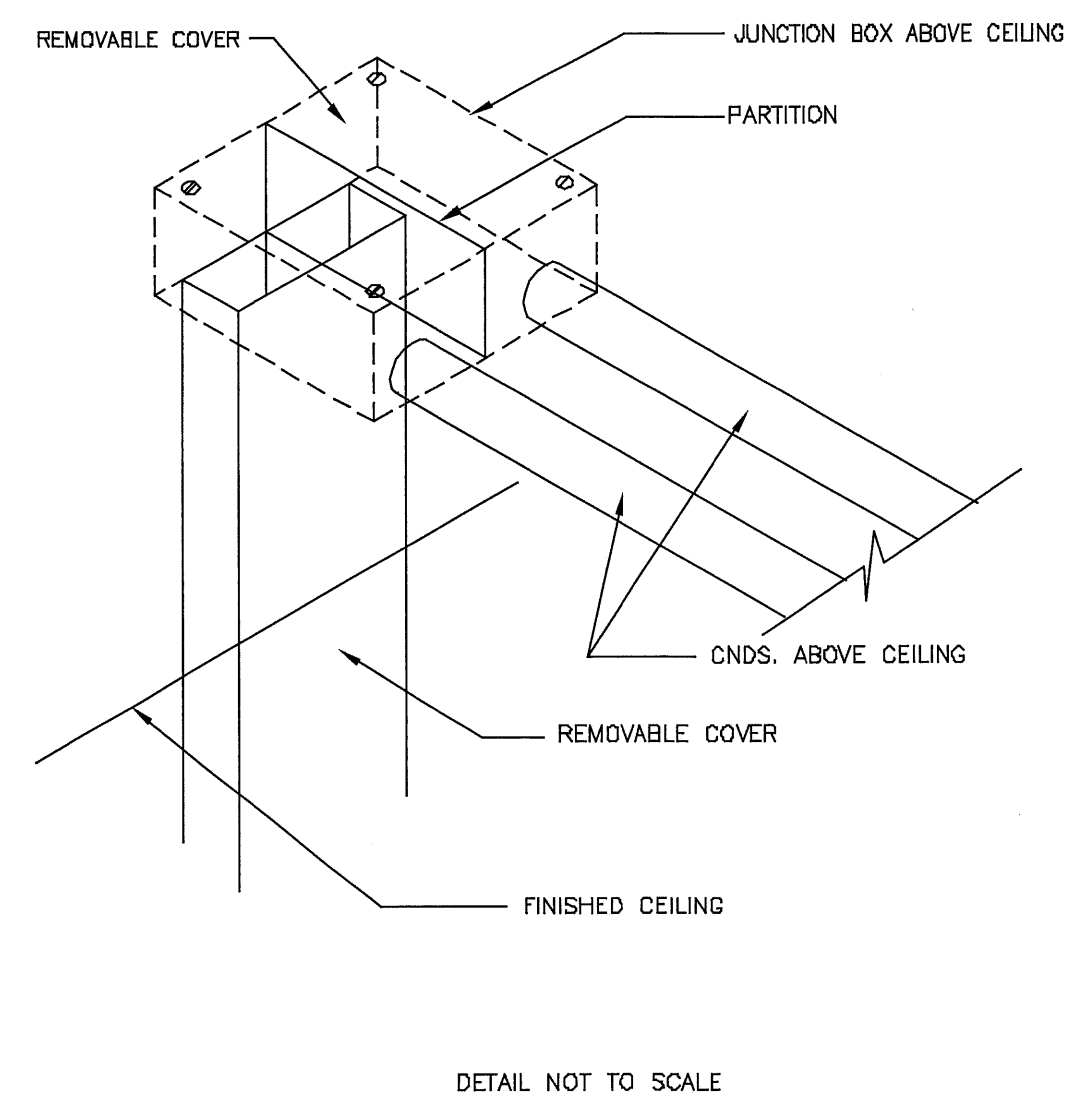


DETAIL NOT TO SCALE

ELECTRICAL DETAIL  
J.B. / WALL DUCT DETAIL (TYPICAL)

ELEC-2

REV. DATE: 09/30/94



DETAIL NOT TO SCALE

PIM RG This drawing is based on Sketch No.: Option 4 B8-09009 tjm2

PROJECT TITLE: ROOM NO. CATH LAB 2  
MAINE MEDICAL CENTER  
PORTLAND, MAINE

PROJECT	REVISION
090498	00
DATE:	02-27-09
DRAWN BY:	TST
CHECKED BY:	TST
GON NO:	2770927
GON DT:	02-23-09

REVISION HISTORY:

\_\_\_\_\_  
\_\_\_\_\_  
\_\_\_\_\_

SHEET  
E4

SHEET TITLE: ELECTRICAL DETAILS  
MODALITY TYPE: INNOVA 3100  
THIS PLAN IS SUBMITTED TO SUGGEST LOCATION OF GE HEALTHCARE EQUIPMENT AND ASSOCIATED APPARATUS, ELECTRICAL WIRING DETAILS AND ROOM ARRANGEMENTS. IN PREPARING THIS PLAN, EVERY EFFORT HAS BEEN MADE TO CONFORM DETAILS TO ACTUAL CONSTRUCTION PURPOSES. HOWEVER, AND THE COMPANY CANNOT ACCEPT RESPONSIBILITY FOR ANY DAMAGES RESULTING THEREFROM.

GE Healthcare  
Installation Services - Design Center  
Watkins, Wisconsin