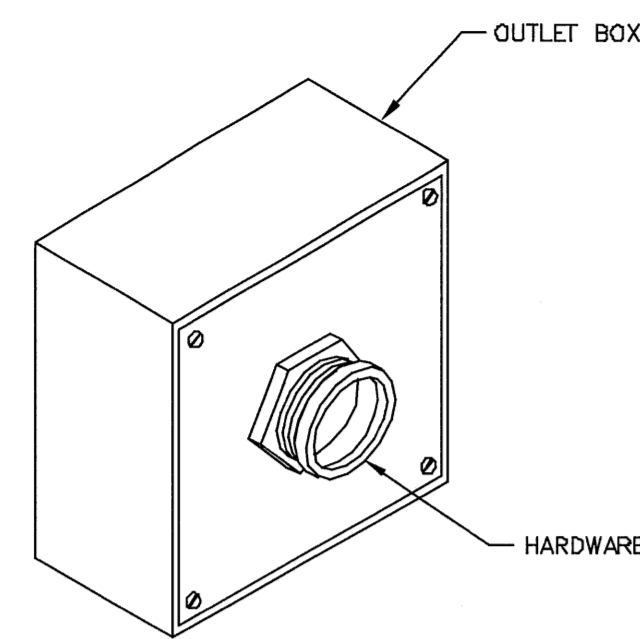


ELECTRICAL DETAIL
BOX WITH COVERPLATE (TYPICAL)

ELEC-8

REV. DATE: 09/30/94

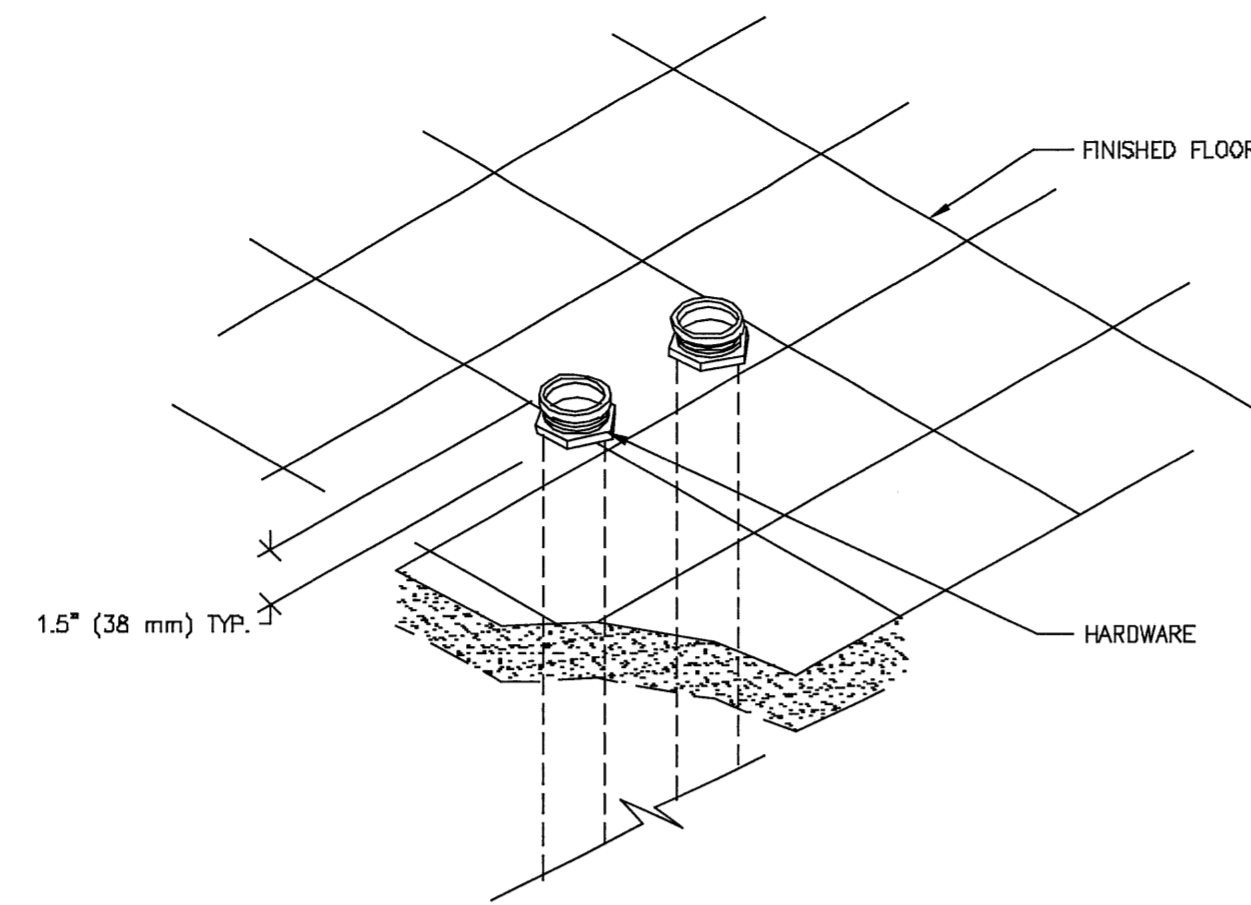


DETAIL NOT TO SCALE

ELECTRICAL DETAIL
CONDUITS THRU-FLOOR (TYPICAL)

ELEC-9

REV. DATE: 08/08/94

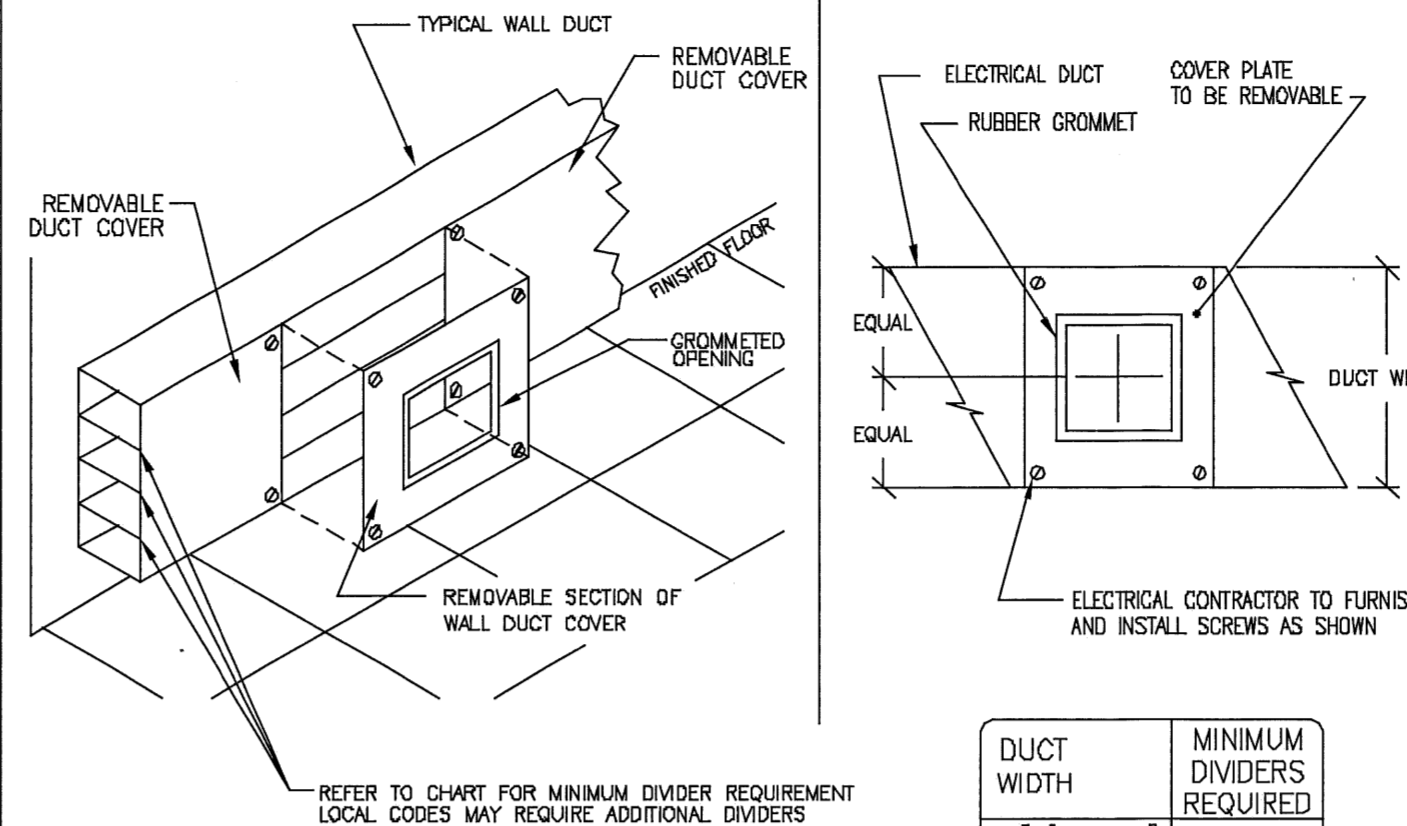


DETAIL NOT TO SCALE

ELECTRICAL DETAIL
HORIZONTAL WALL DUCT (TYPICAL)

ELEC-5

REV. DATE: 03/19/04



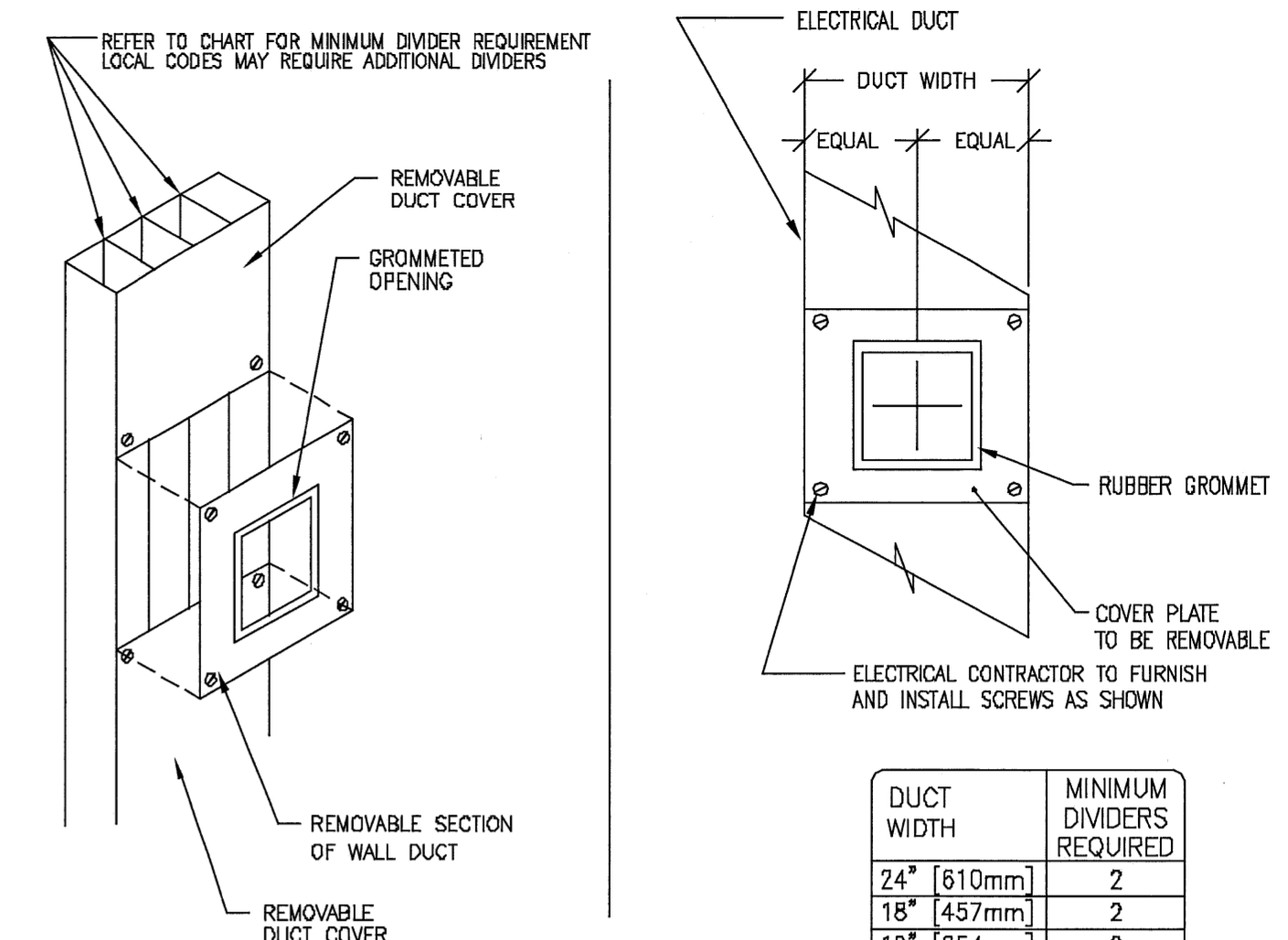
DUCT WIDTH	MINIMUM DIVIDERS REQUIRED
24" (610mm)	2
18" (457mm)	2
10" (254mm)	2
6" (152mm)	1
4" (102mm)	1

DETAIL NOT TO SCALE

ELECTRICAL DETAIL
VERTICAL WALL DUCT (TYPICAL)

ELEC-6

REV. DATE: 03/19/04



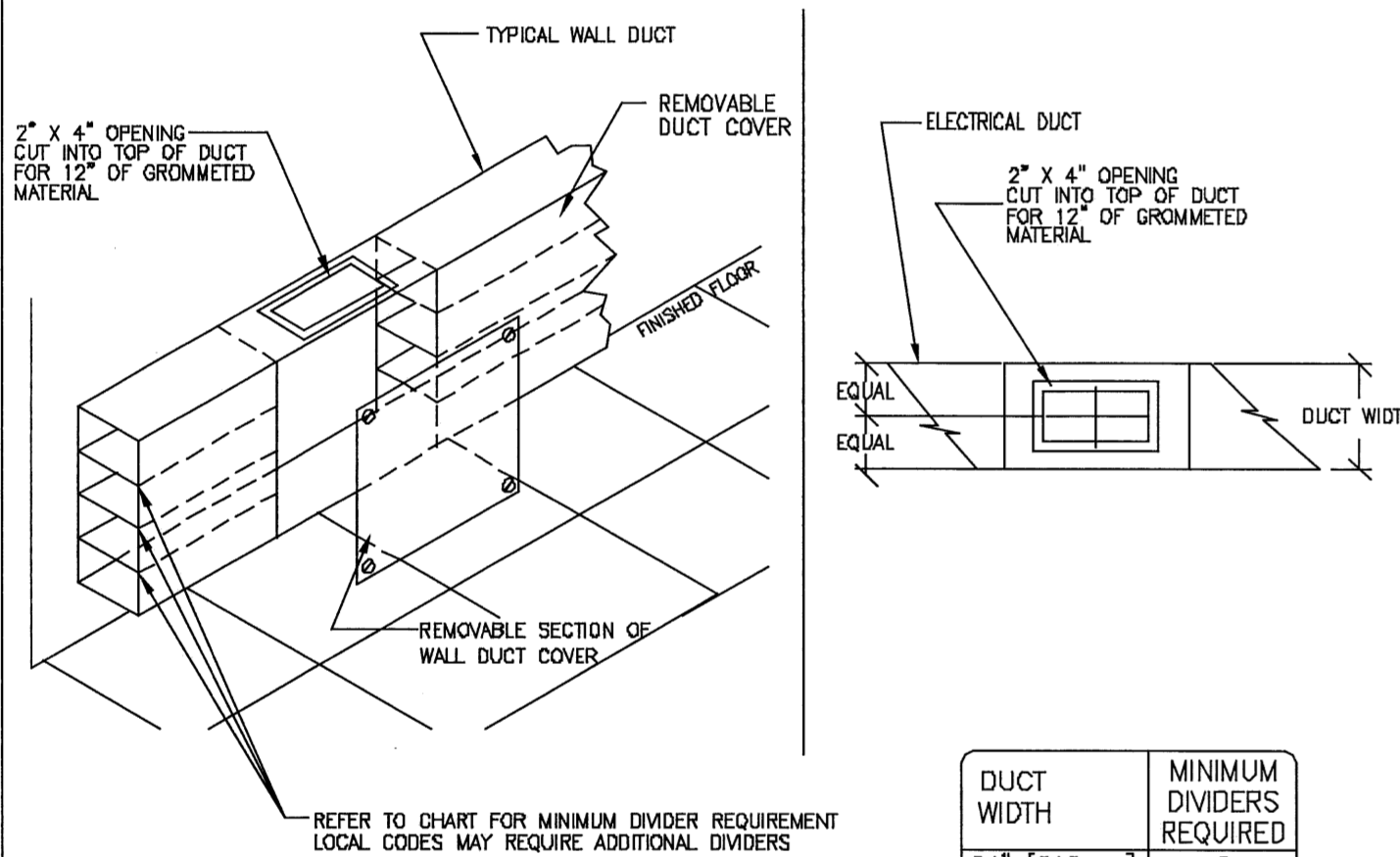
DUCT WIDTH	MINIMUM DIVIDERS REQUIRED
24" (610mm)	2
18" (457mm)	2
10" (254mm)	2
6" (152mm)	1
4" (102mm)	1

DETAIL NOT TO SCALE

ELECTRICAL DETAIL
HORIZONTAL WALL DUCT (TYPICAL)

ELEC-5A

REV. DATE: 06/16/08



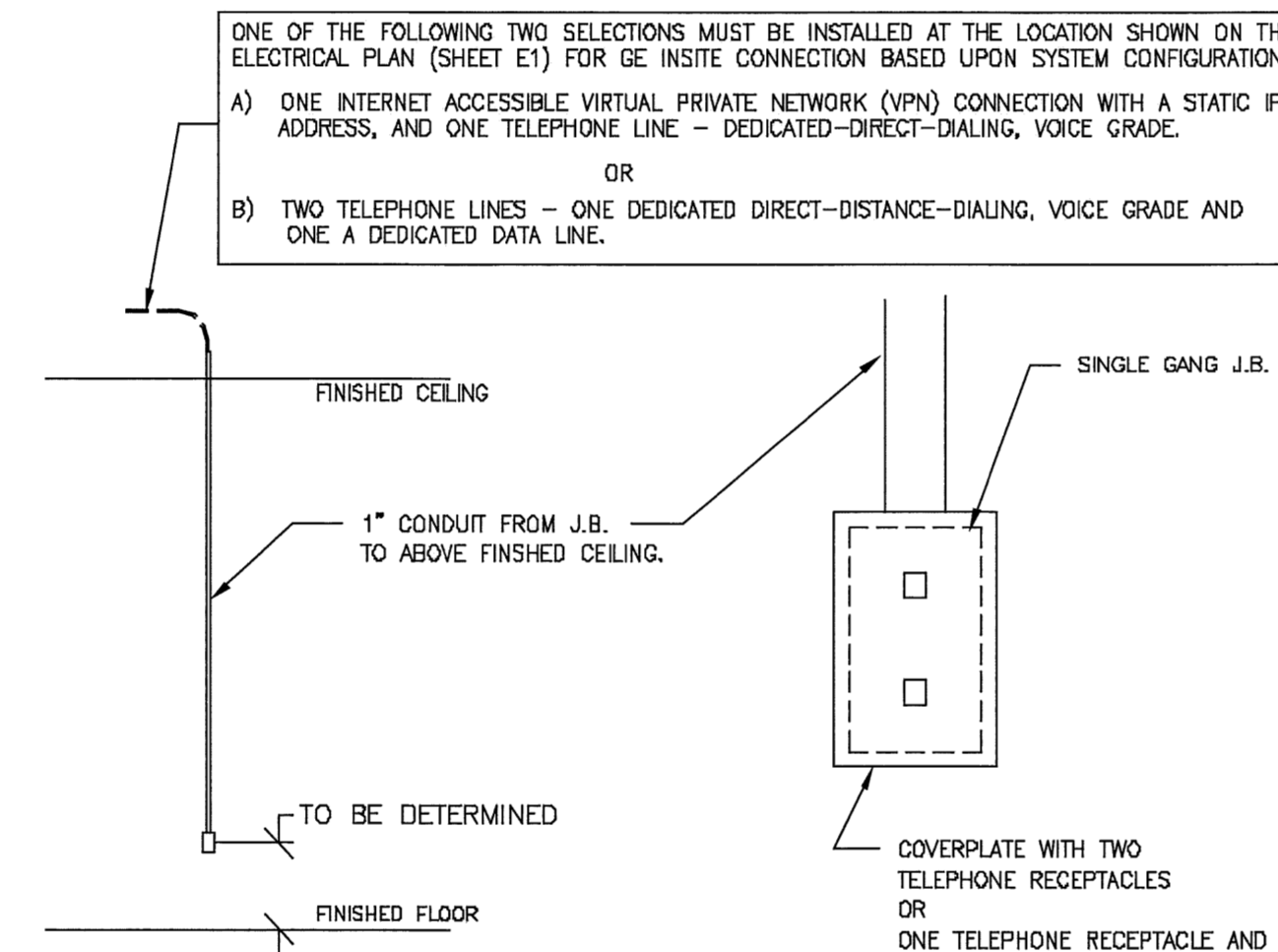
DUCT WIDTH	MINIMUM DIVIDERS REQUIRED
24" (610mm)	2
18" (457mm)	2
10" (254mm)	2
6" (152mm)	1
4" (102mm)	1

DETAIL NOT TO SCALE

ELECTRICAL DETAIL
INSITE CONNECTION (TYPICAL)

ELEC-1

REV. DATE: 04/24/02



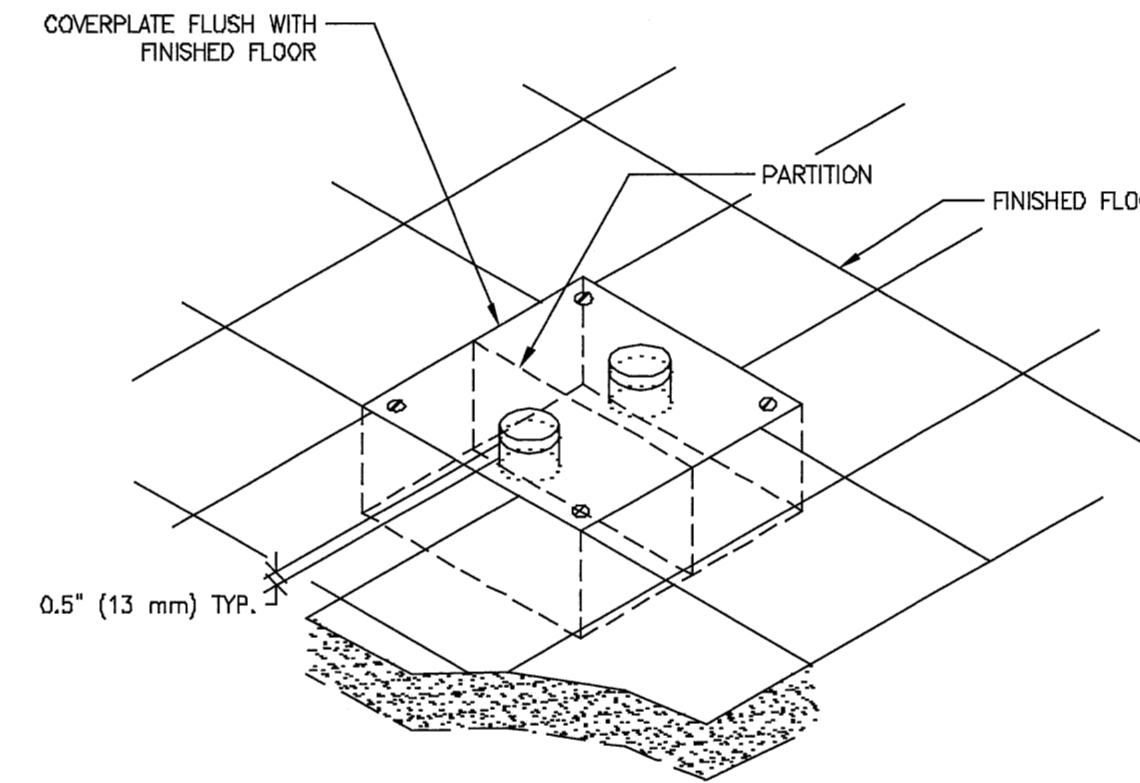
ALL ITEMS ILLUSTRATED ARE TO BE FURNISHED AND INSTALLED BY CUSTOMER OR THEIR CONTRACTOR.

DETAIL NOT TO SCALE

ELECTRICAL DETAIL
FLOOR BOX WITH NIPPLES (TYPICAL)

ELEC-13

REV. DATE: 09/30/94

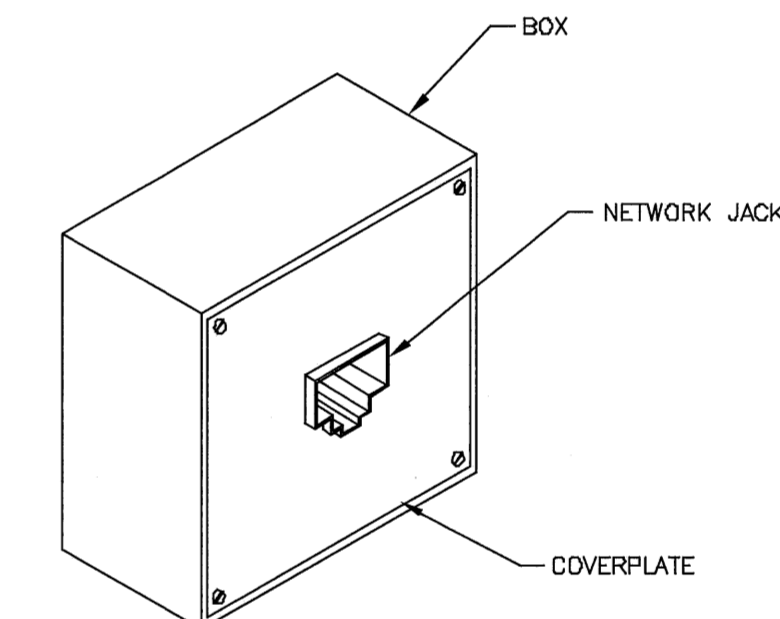


DETAIL NOT TO SCALE

ELECTRICAL DETAIL
BOX WITH COVERPLATE AND NETWORK JACK

ELEC-83

REV. DATE: 10/08/98

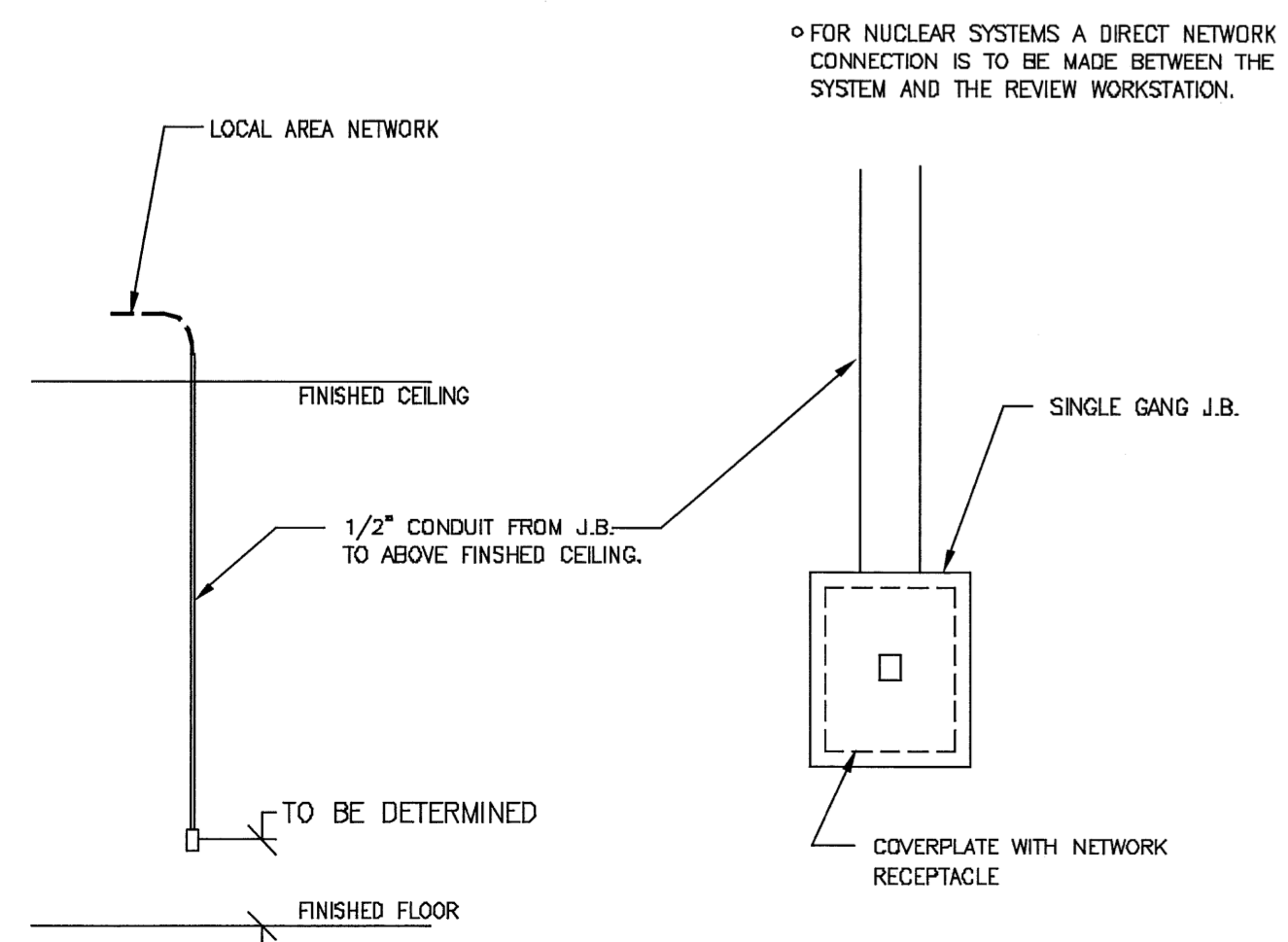


DETAIL NOT TO SCALE

ELECTRICAL DETAIL
NETWORK CONNECTION (TYPICAL)

ELEC-84

REV. DATE: 03/06/04

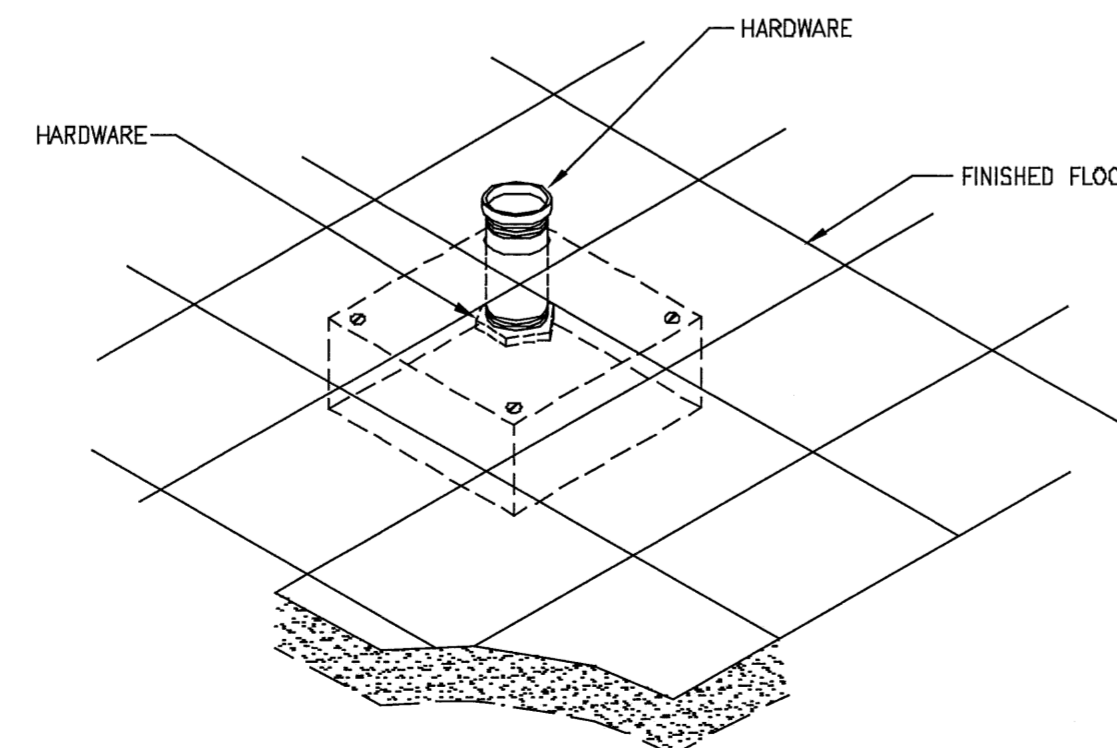


DETAIL NOT TO SCALE

ELECTRICAL DETAIL
TABLE INTERCONNECTION - BOX BELOW FLOOR

ELEC-48

REV. DATE: 01/04/86

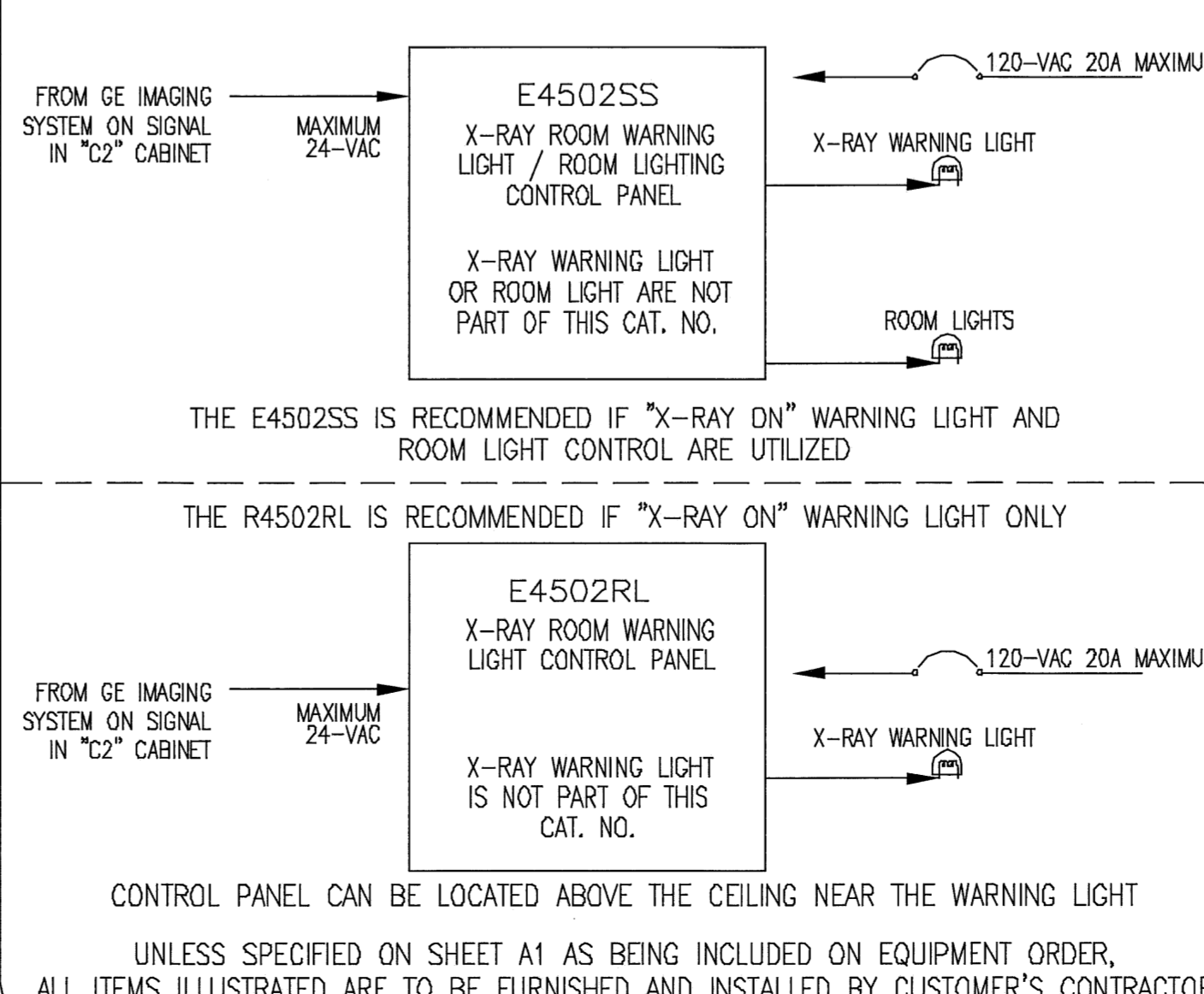


DETAIL NOT TO SCALE

ELECTRICAL DETAIL
X-RAY WARNING LIGHT & ROOM LIGHT CONTROL PANEL

ELEC-157

REV. DATE: 08/28/08

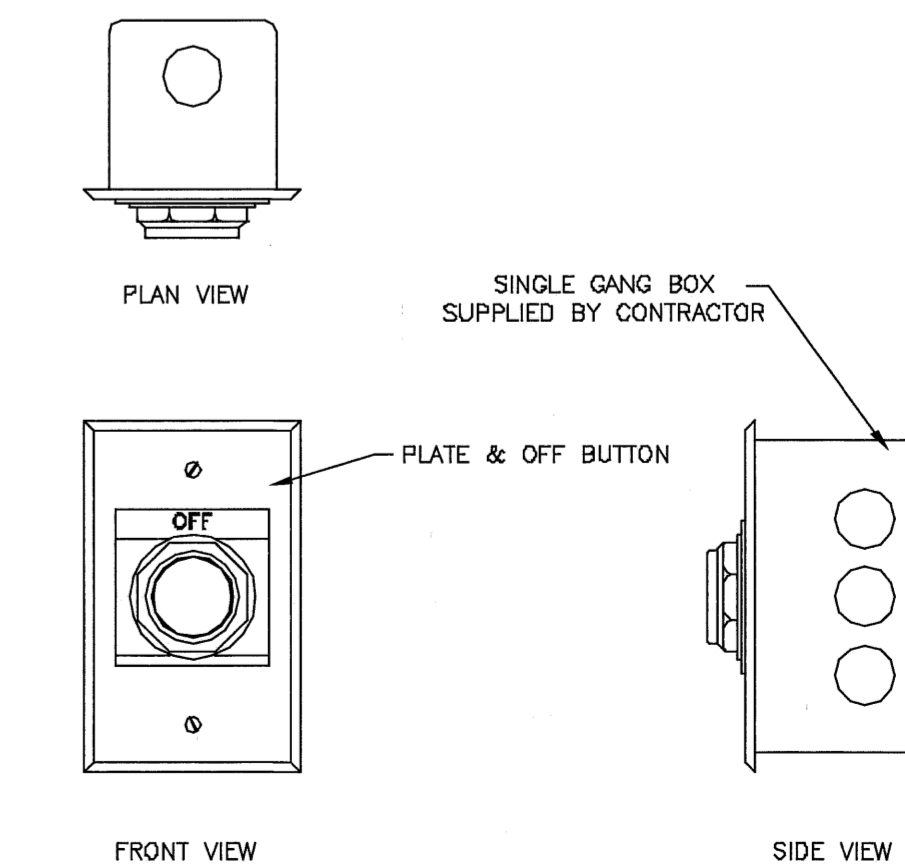


CONTROL PANEL CAN BE LOCATED ABOVE THE CEILING NEAR THE WARNING LIGHT
UNLESS SPECIFIED ON SHEET A1 AS BEING INCLUDED ON EQUIPMENT ORDER,
ALL ITEMS ILLUSTRATED ARE TO BE FURNISHED AND INSTALLED BY CUSTOMER'S CONTRACTOR

ELECTRICAL DETAIL
EMERGENCY OFF BUTTON

ELEC-16

REV. DATE: 08/22/05



DETAIL NOT TO SCALE

GE Healthcare
Installation Services - Design Center
Waukesha, Wisconsin

SHEET TITLE: ELECTRICAL DETAILS
MODALITY TYPE: INNOVA 3100
THIS PLAN IS SUBMITTED TO SUGGEST LOCATION OF GE HEALTHCARE EQUIPMENT AND ASSOCIATED APPARATUS, ELECTRICAL WIRING DETAILS AND ROOM ARRANGEMENTS. IN PREPARING THIS PLAN, EVERY EFFORT HAS BEEN MADE TO CONFORM TO ALL APPLICABLE LOCAL, STATE AND FEDERAL REGULATIONS AND CODES. HOWEVER, THE COMPANY CANNOT ACCEPT RESPONSIBILITY FOR ANY DAMAGES RESULTING THEREFROM.

PROJECT TITLE: ROOM NO. CATH LAB 2
MAINE MEDICAL CENTER
PORTLAND, MAINE

PROJECT	REVISION
090498	00
DATE:	02-27-09
DRAWN BY:	TST
CHECKED BY:	TST
GDN NO.:	2770927
GDN DT.:	02-23-09

REVISION HISTORY:

SHEET
E3

This drawing is based on Sketch No.: Option 4 B8-09009 tjm2

THIS SHEET IS PART OF THE DOCUMENT SET LISTED ON SHEET C1 AND SHOULD NOT BE SEPARATED