

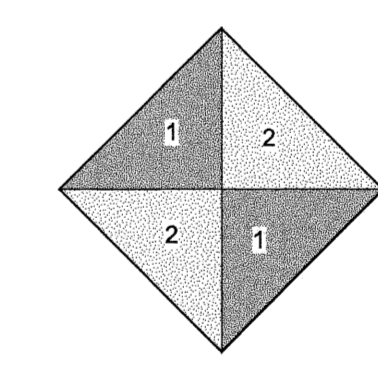
Richards Wing  
Ninth Floor  
Renovations

Maine Medical Center  
Portland, Maine 04102

Architect  
Winton Scott Architects  
Portland, Maine

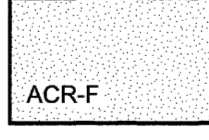
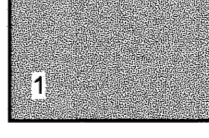
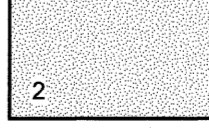
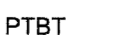
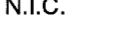
Mechanical Engineering  
Mechanical Systems Engineers  
Yarmouth, Maine

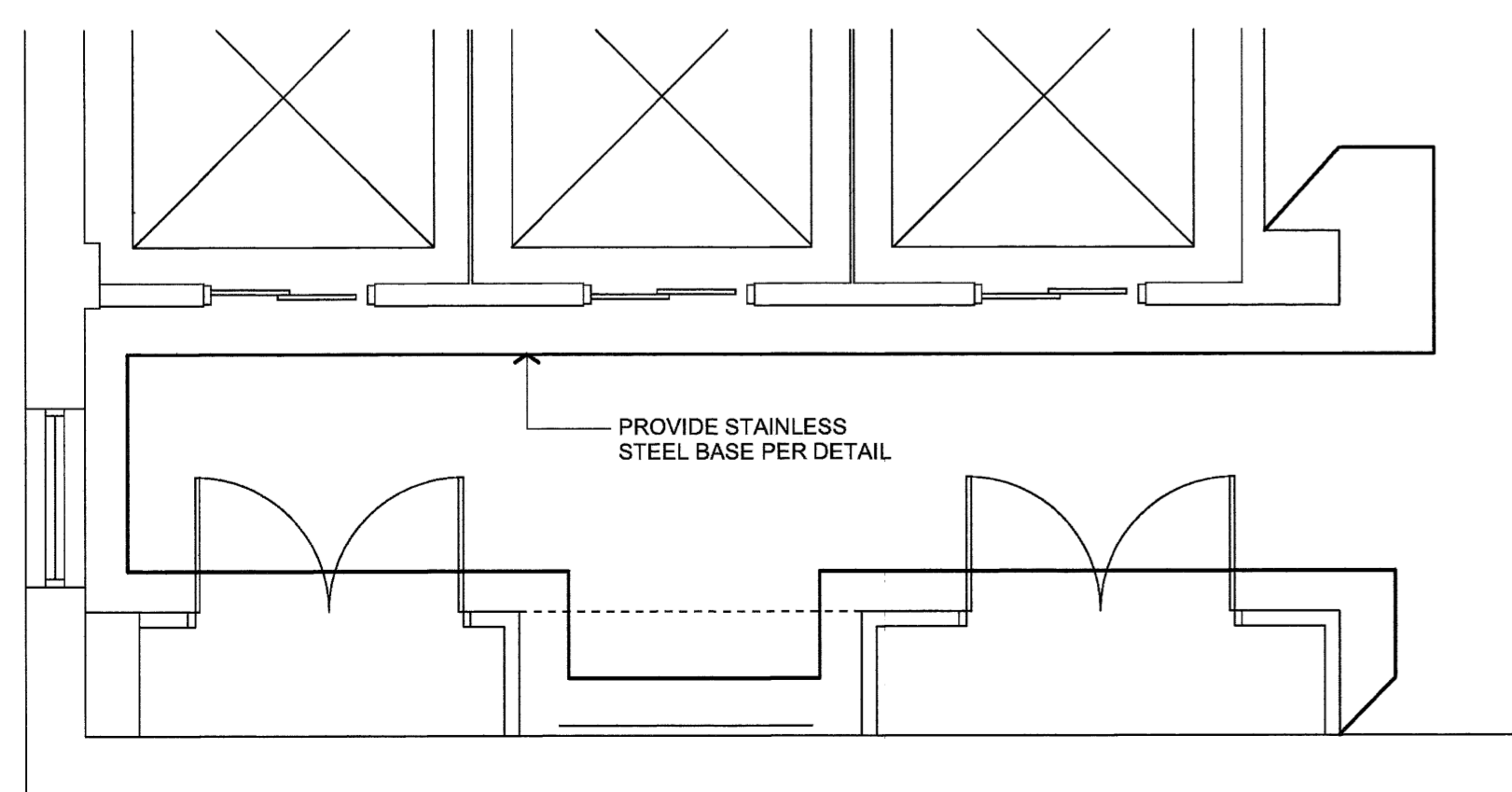
Electrical Engineering  
Swiftcurrent Engineering Services  
Yarmouth, Maine



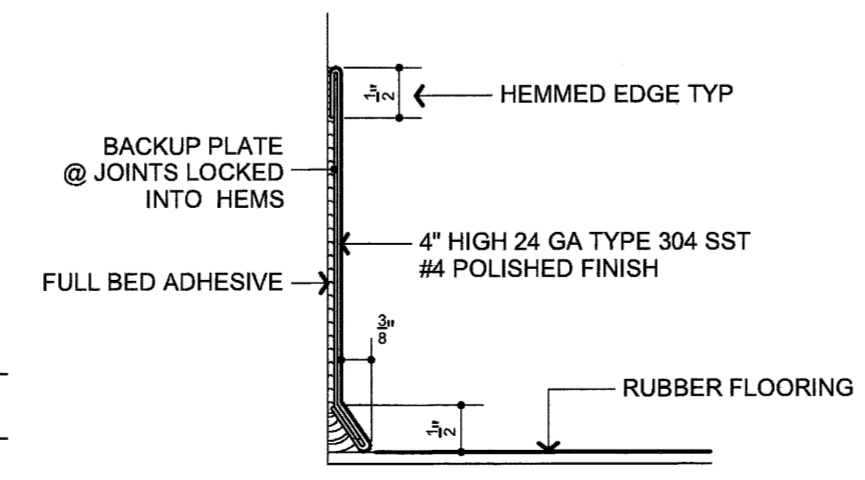
ACCENT MEDALLION DETAIL

LEGEND

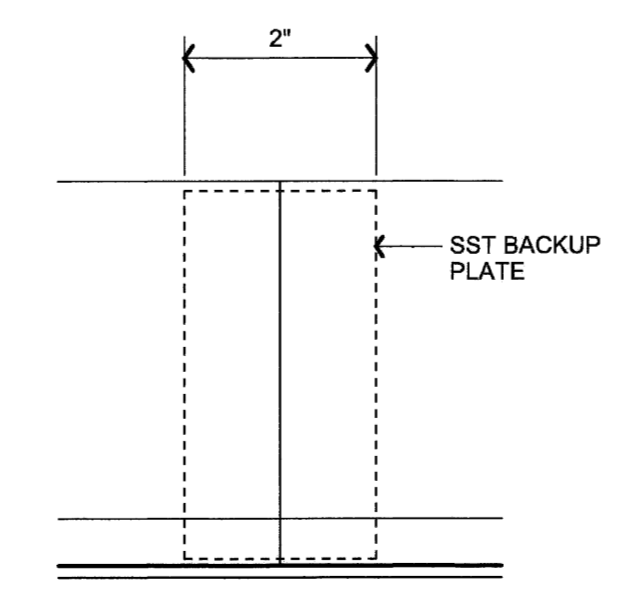
-  ACOUSTIC RUBBER FLOORING FIELD: "LOTUS FLOWER"
-  ACOUSTIC RUBBER FLOORING ACCENT 1: "WINDFLOWER"
-  ACOUSTIC RUBBER FLOORING ACCENT 2: "PHANTOM MIST"
-  PORCELAIN THROUGH-BODY TILE
-  NOT IN CONTRACT: EXISTING FLOORING TO REMAIN



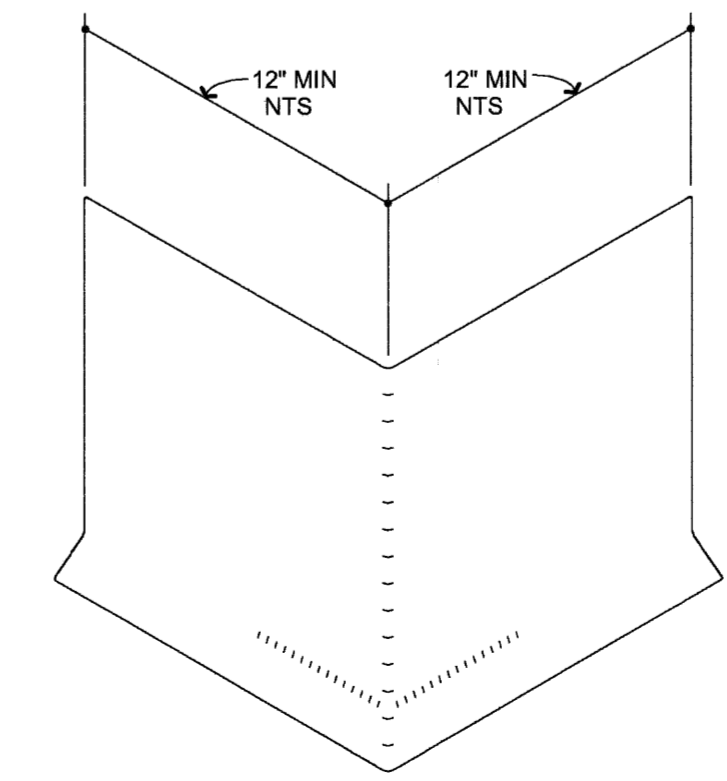
Stainless Steel Base Plan  
1/4" = 1' - 0"



Stainless Steel Base Section  
6" = 1' - 0"



Stainless Steel Base Joint  
6" = 1' - 0"



Stainless Steel Base Outside Corner  
6" = 1' - 0"

Flooring Plan

A 6.2

Scale: 1/8" = 1' - 0"  
March 16, 2009