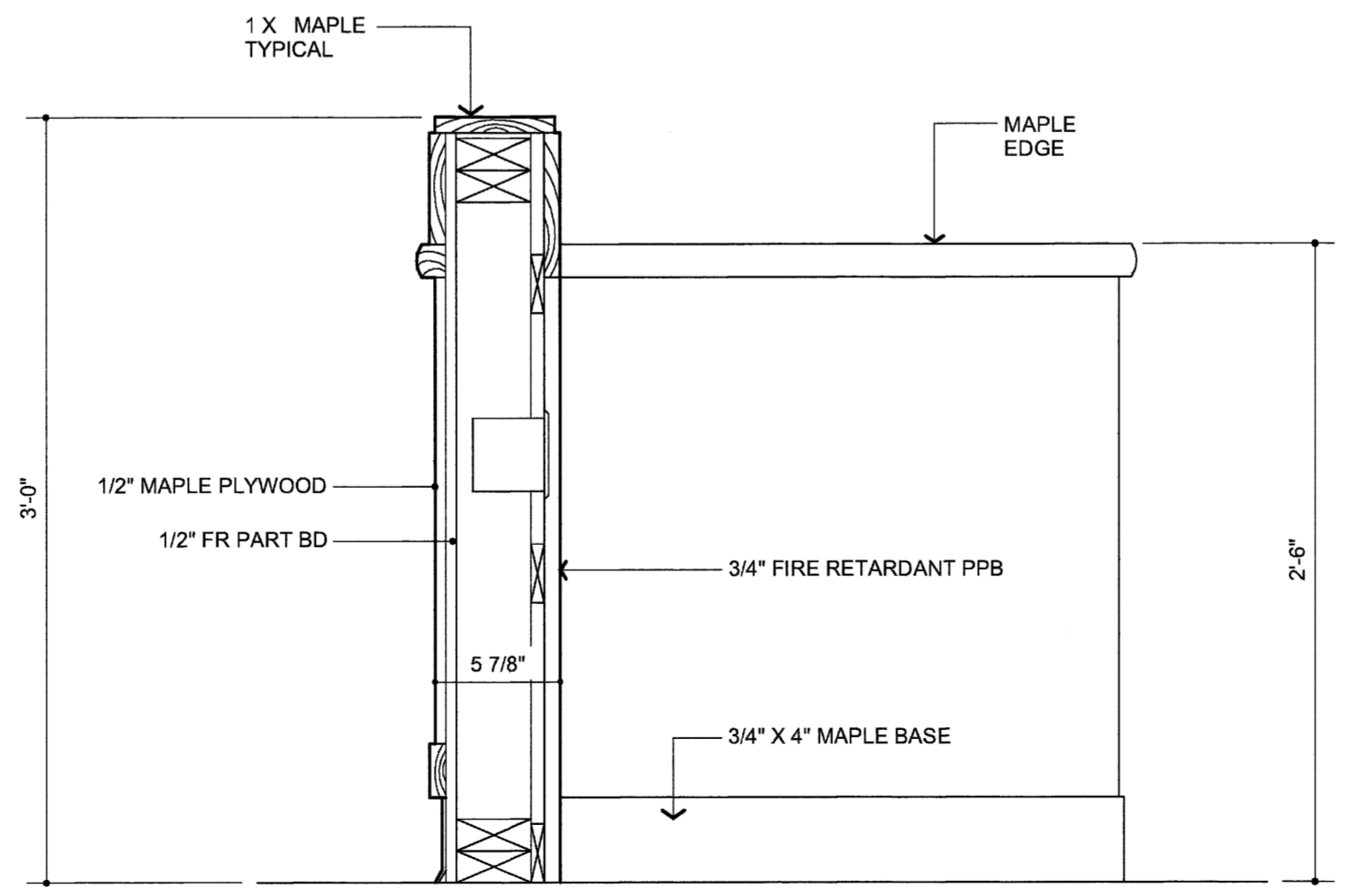
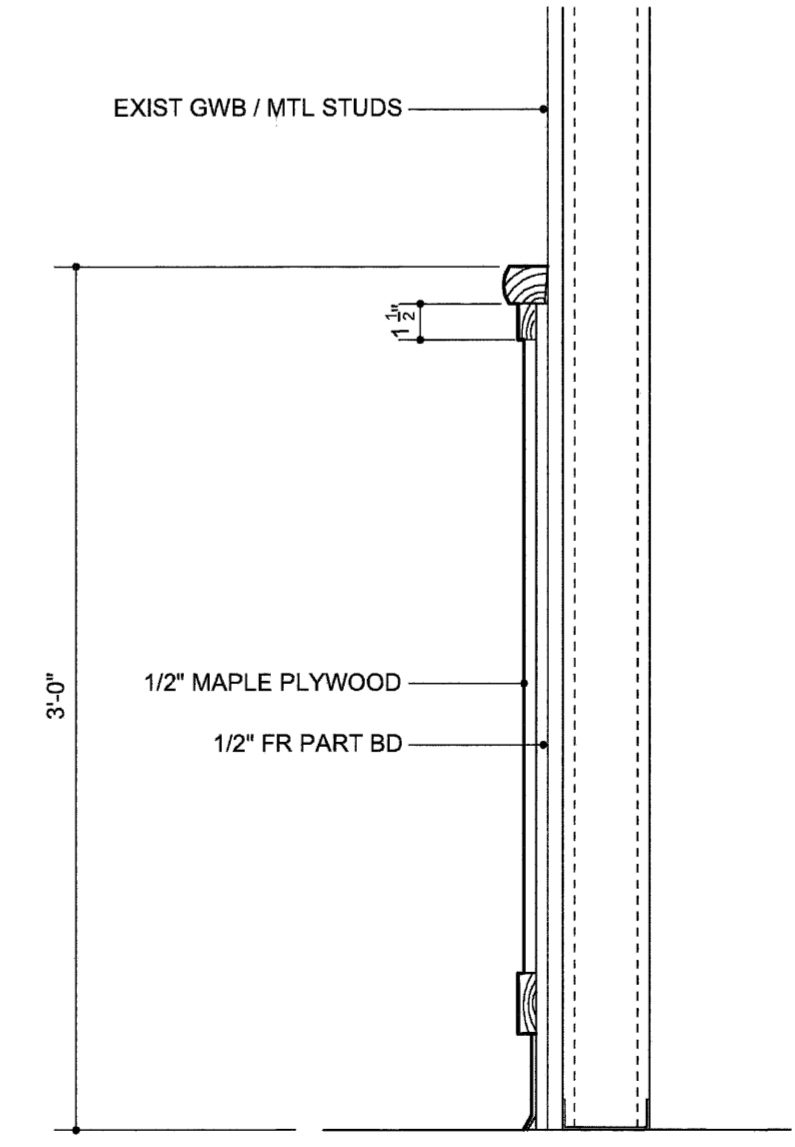


**1** Counter Section  
1 1/2" = 1'-0"



**2** Counter Section  
1 1/2" = 1'-0"



**3** Column Facing  
1 1/2" = 1'-0"

Richards Wing  
Ninth Floor  
Renovations

Maine Medical Center  
Portland, Maine 04102

Architect  
Winton Scott Architects  
Portland, Maine

Mechanical Engineering  
Mechanical Systems Engineers  
Yarmouth, Maine

Electrical Engineering  
Swiftcurrent Engineering Services  
Yarmouth, Maine

Interior  
Details  
**A 4.3**

Scale: As Shown  
March 16, 2009