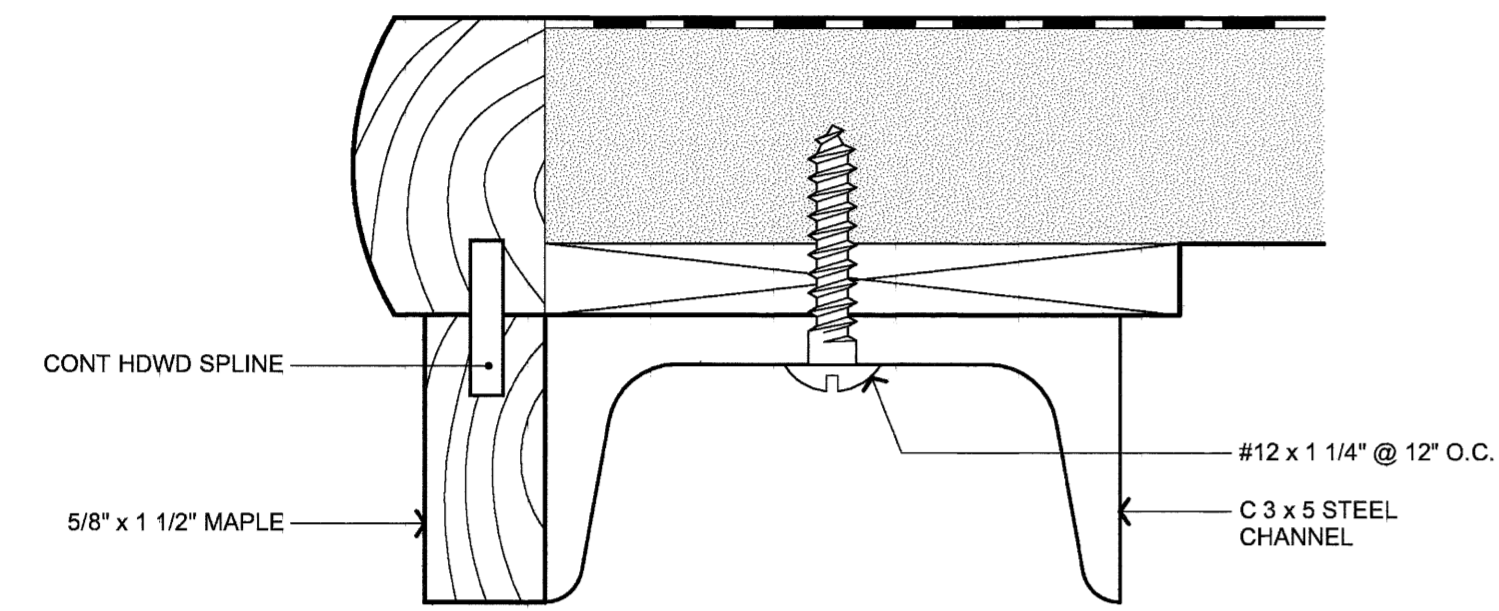
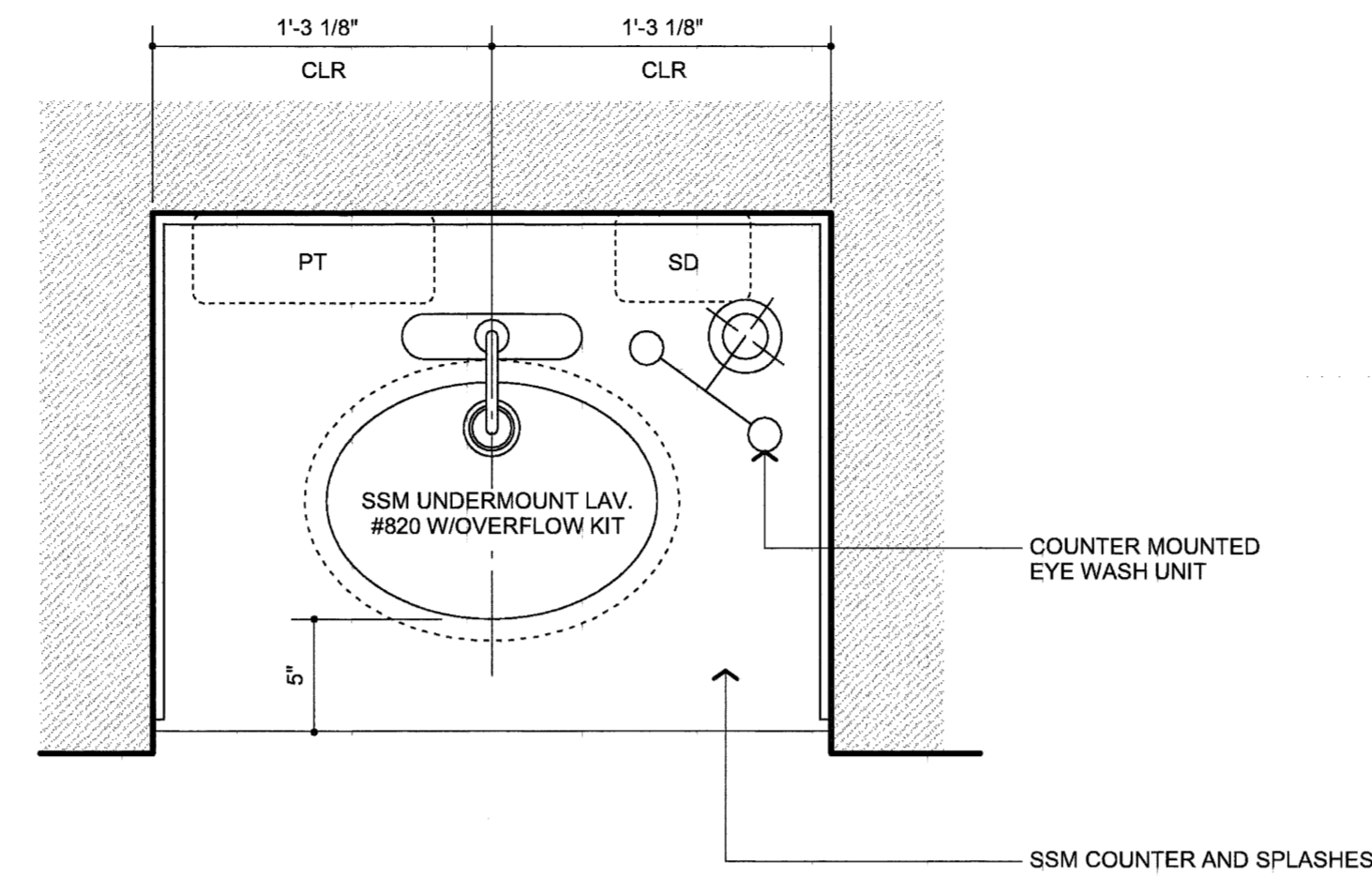


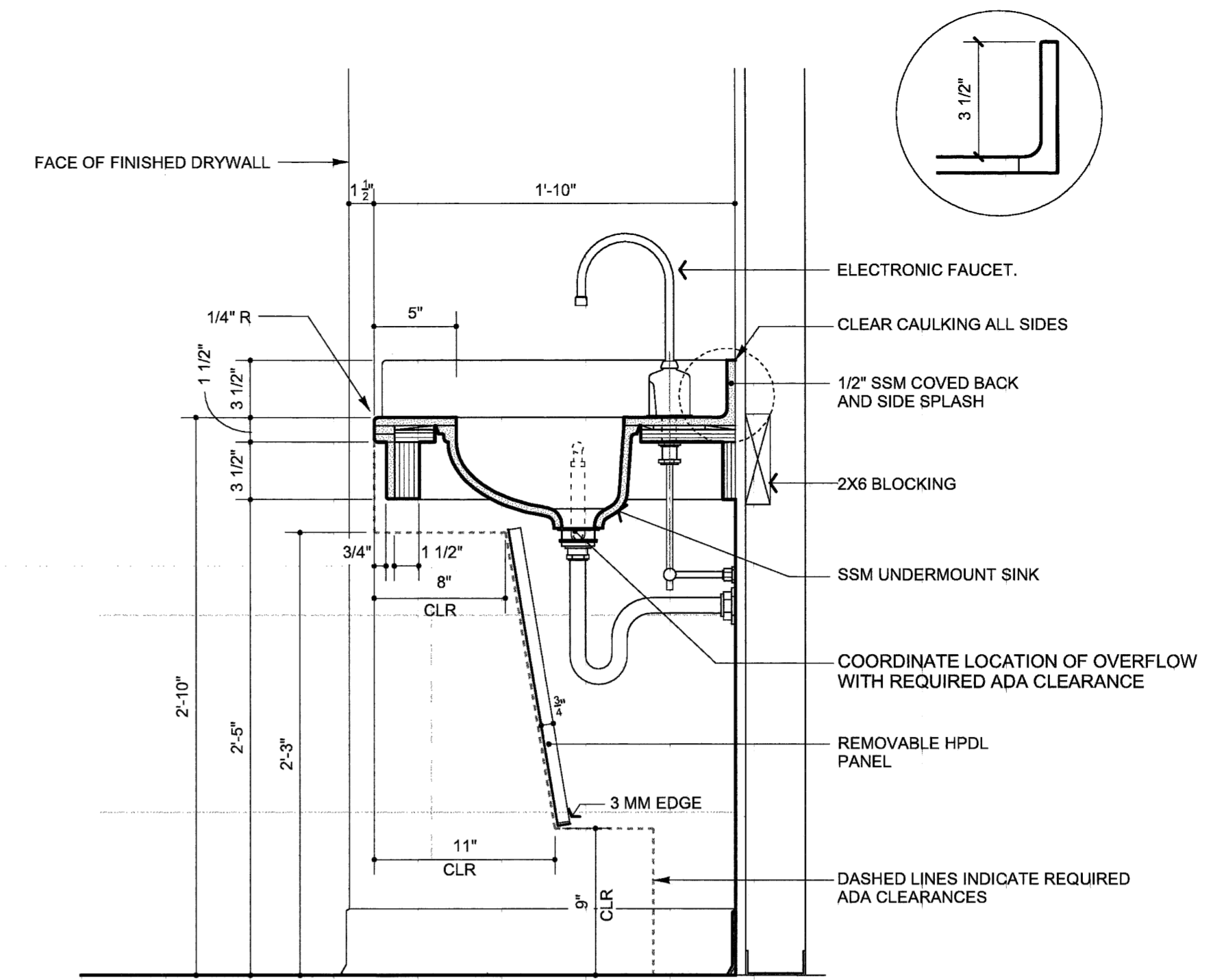
A Maple Counter Edge
FULL SIZE



B Maple Edge @ Crash Cart Counter
FULL SIZE

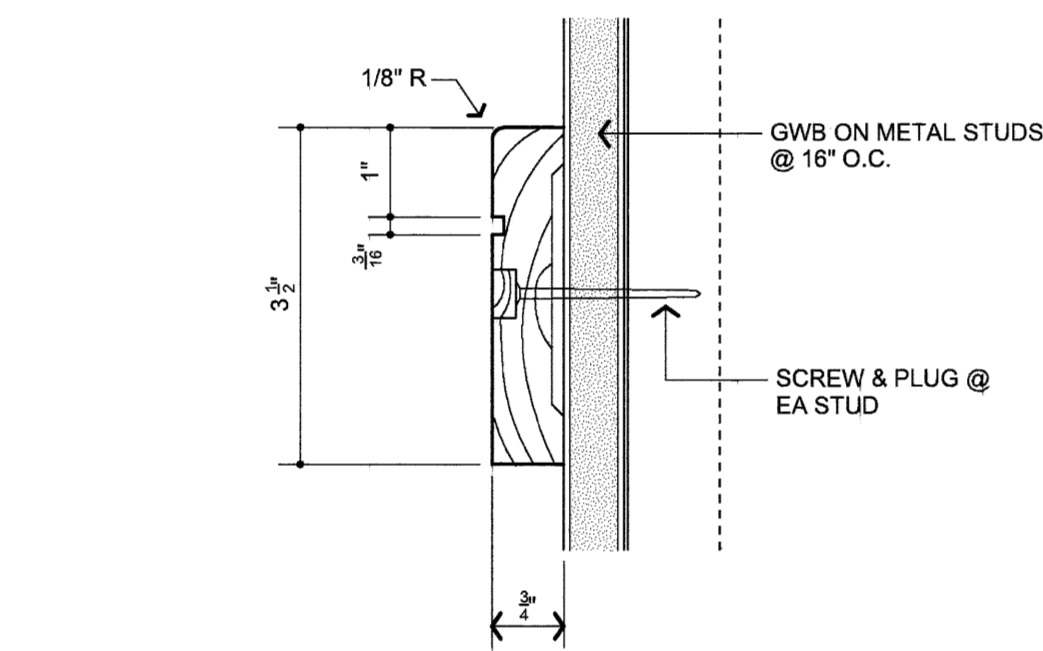


C Corridor Hand Wash Station Plan
SCALE: 1 1/2" = 1'-0" (2) THUS

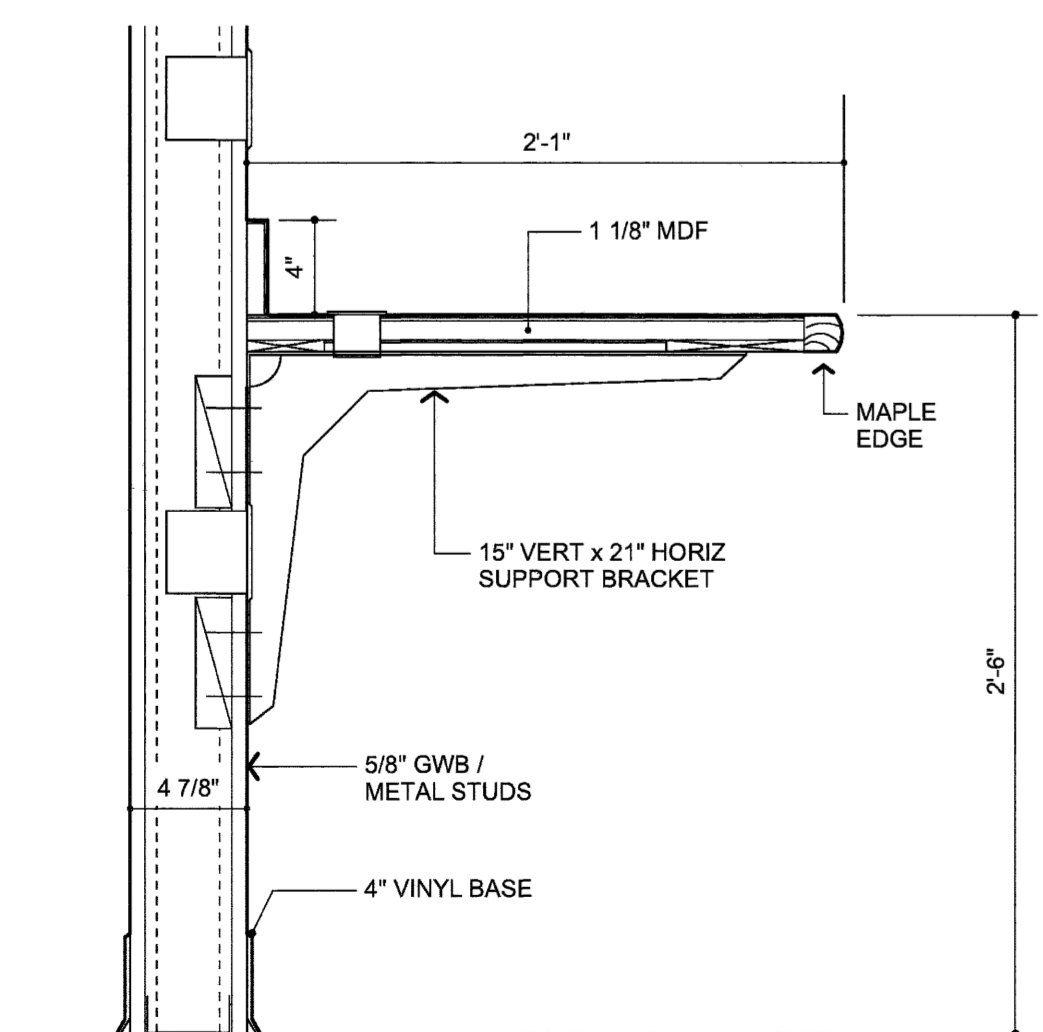


D Corridor Hand Wash Station Section
SCALE: 1 1/2" = 1'-0"

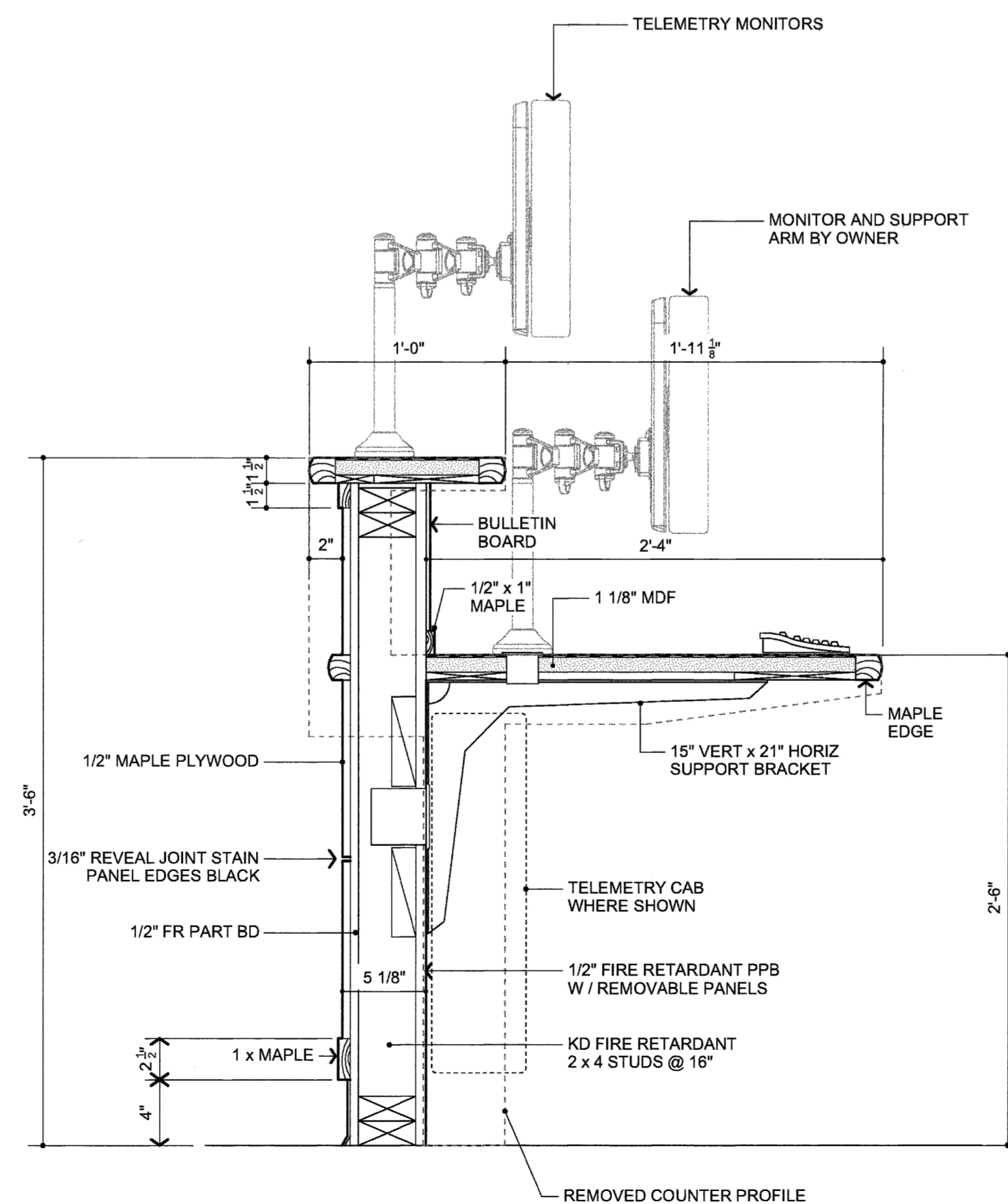
NOTE: PROVIDE 1/16" RAD. AT ALL EXPOSED CORIAN EDGES UNLESS NOTED OTHERWISE.



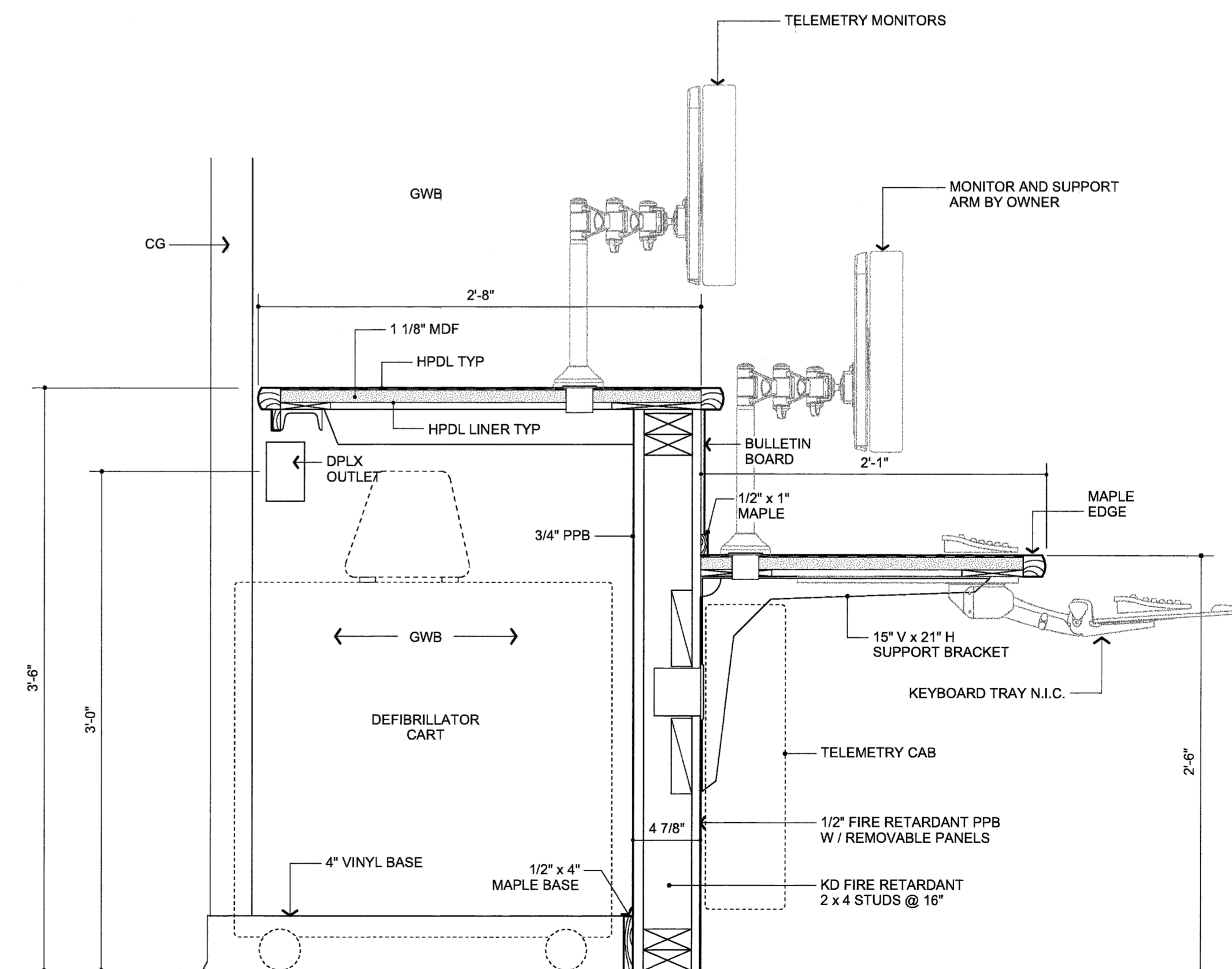
C Oak Chair Rail
HALF SIZE



1 Counter Section
1 1/2" = 1'-0"



2 Counter Section
1 1/2" = 1'-0"



3 Crash Cart Counter Section
1 1/2" = 1'-0"

Richards Wing
Ninth Floor
Renovations

Maine Medical Center
Portland, Maine 04102

Architect
Winton Scott Architects
Portland, Maine

Mechanical Engineering
Mechanical Systems Engineers
Yarmouth, Maine

Electrical Engineering
Swiftcurrent Engineering Services
Yarmouth, Maine

Interior
Details

A 4.2

Scale: As Shown

March 16, 2009