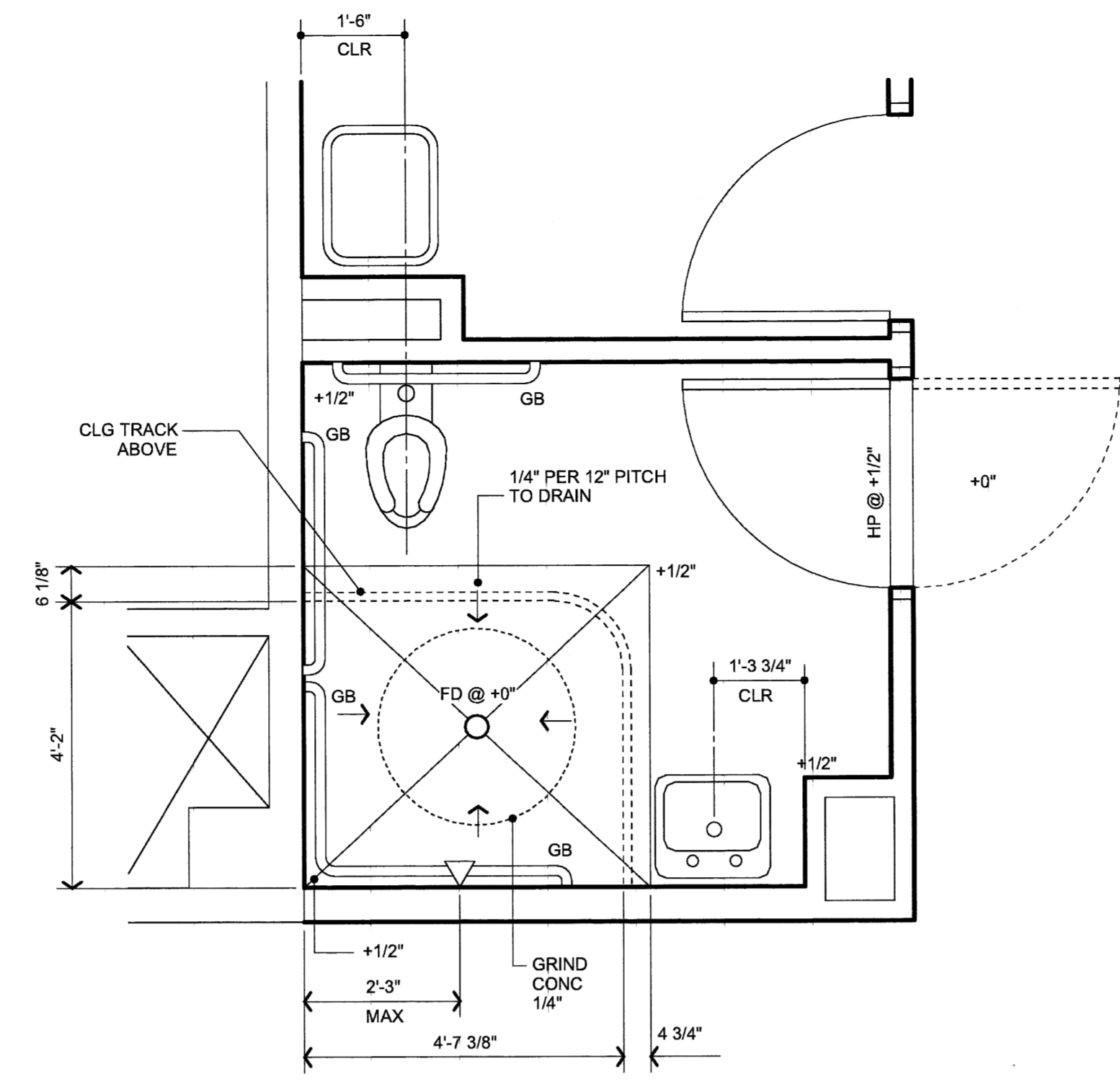
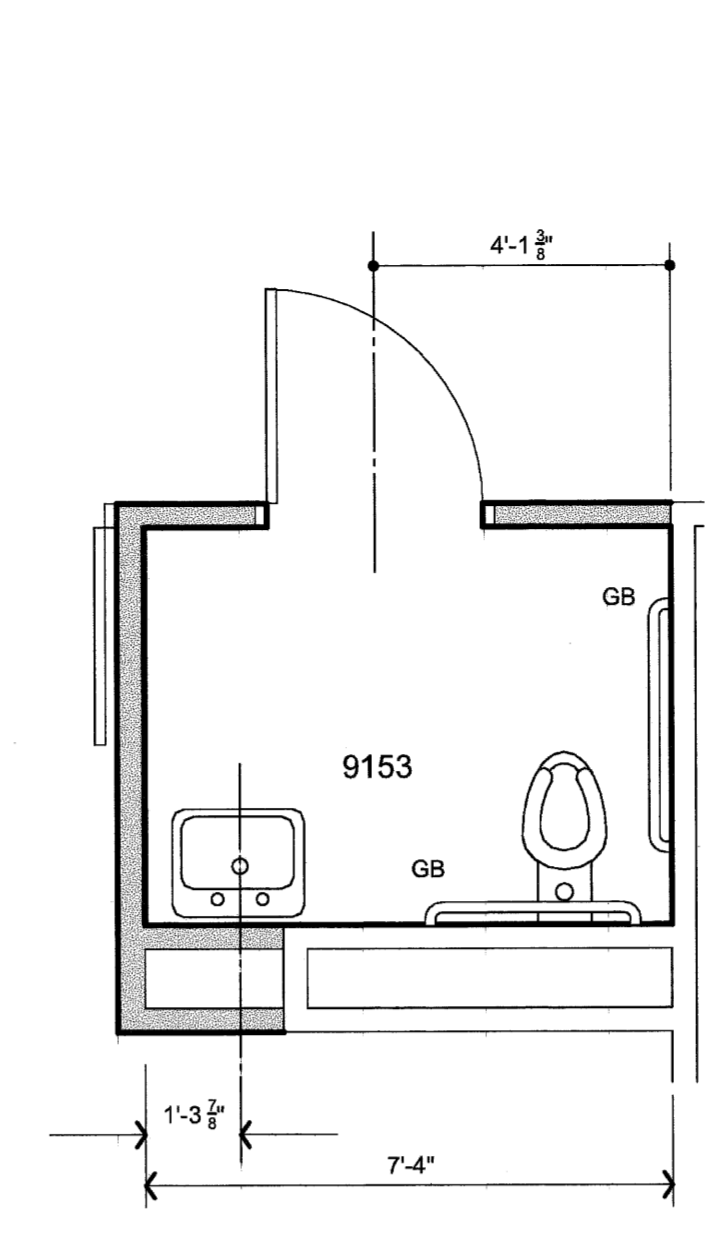


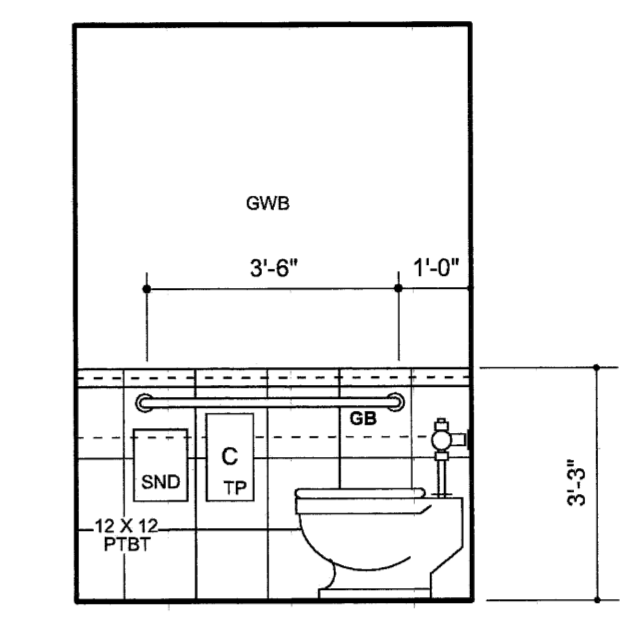
F Enlarged Floor Plan @ Kitchen Room 9114
 3/8" = 1' - 0"



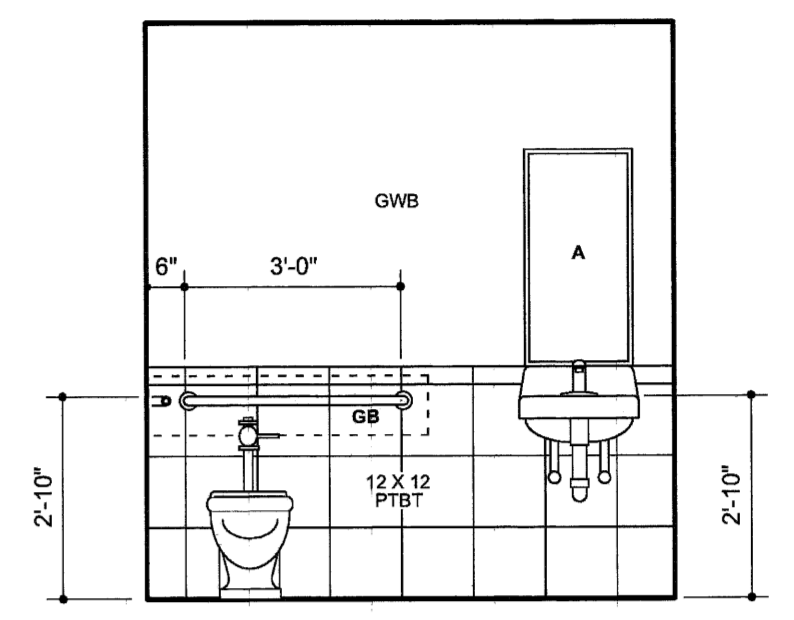
G Enlarged Floor Plan @ Shower Room 9128
 1/2" = 1' - 0"



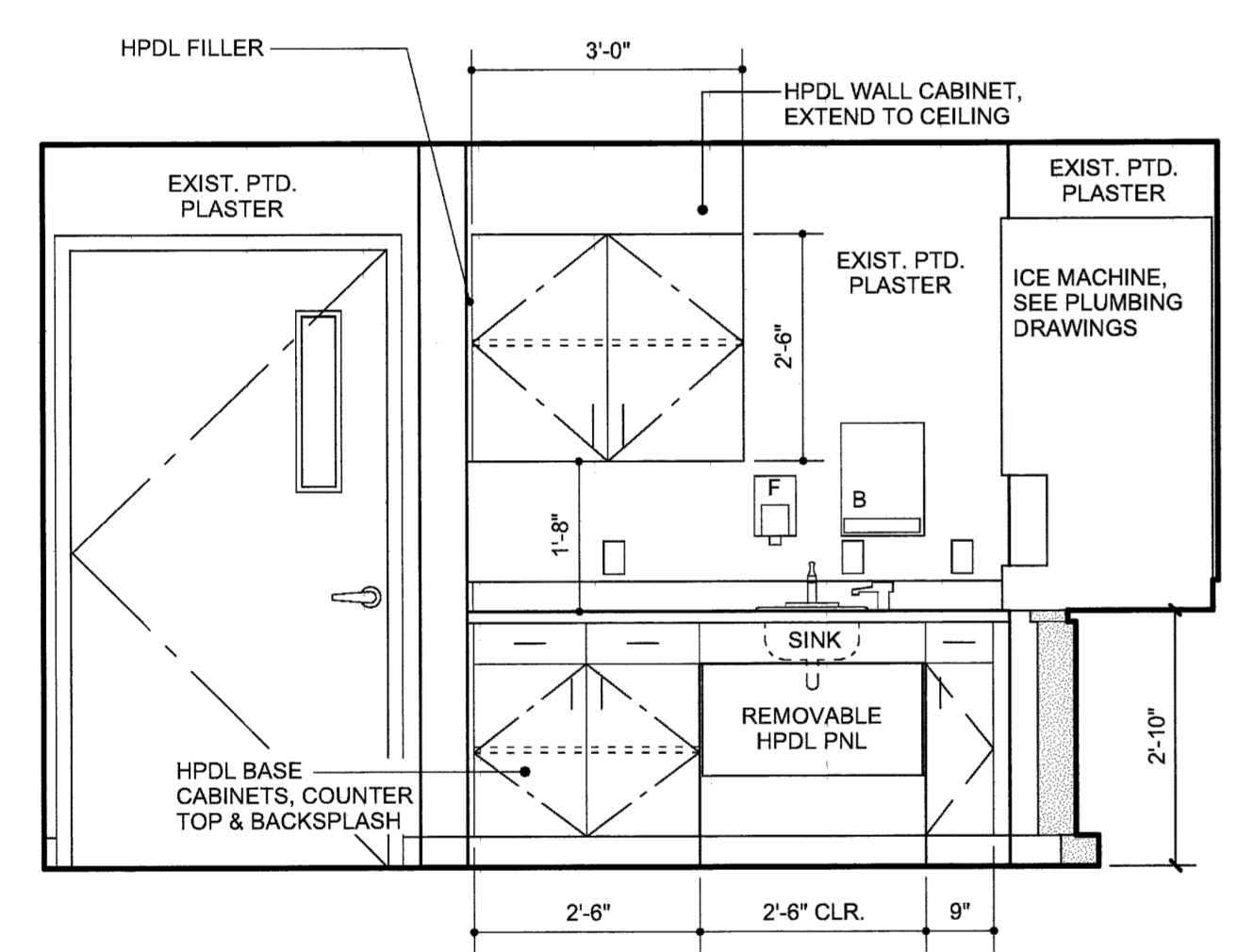
J Enlarged Plan @ Public Toilet Room 9153
 3/8" = 1' - 0"



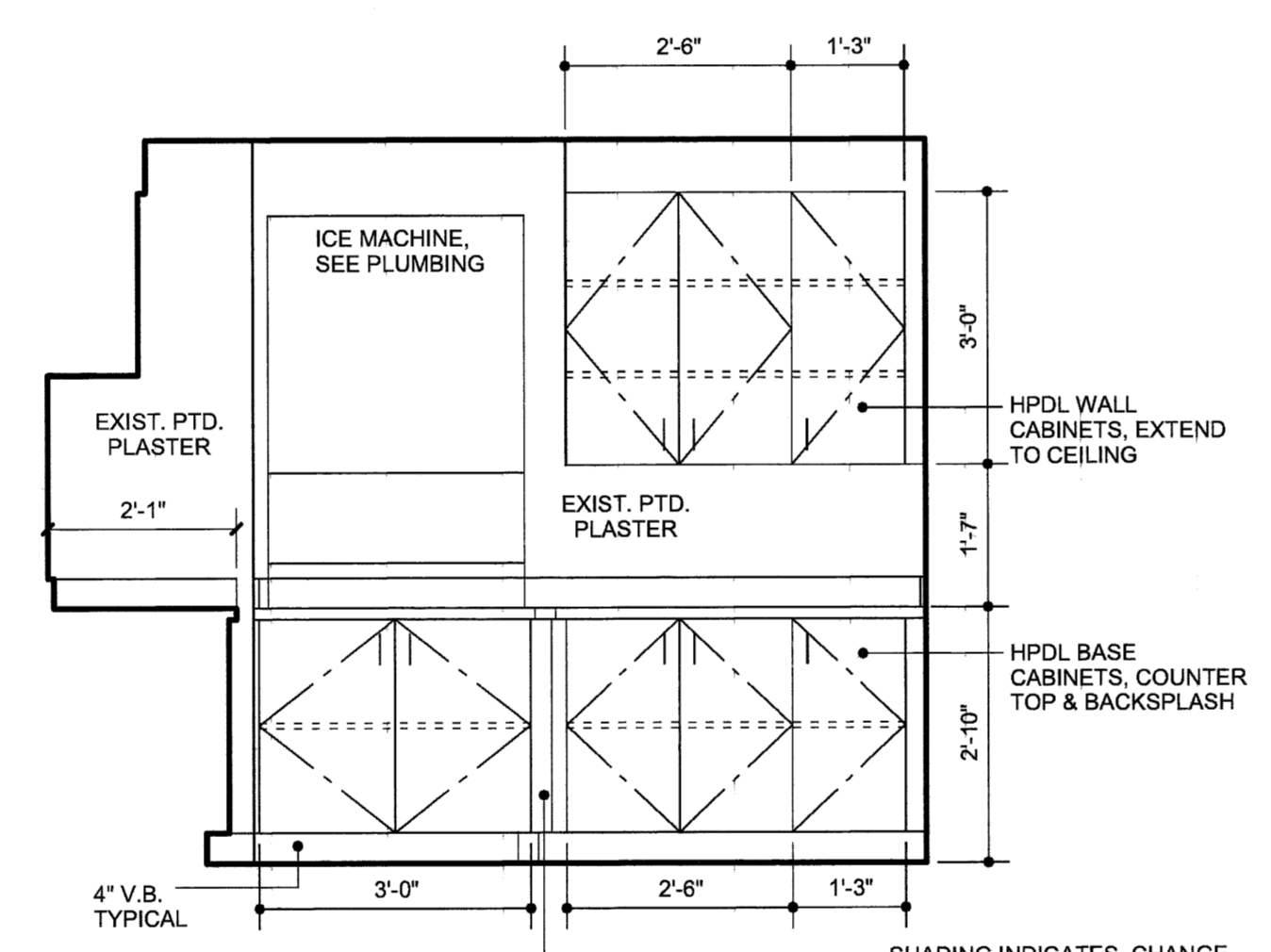
Bathroom Room 9153
 3/8" = 1'-0" East Elevation



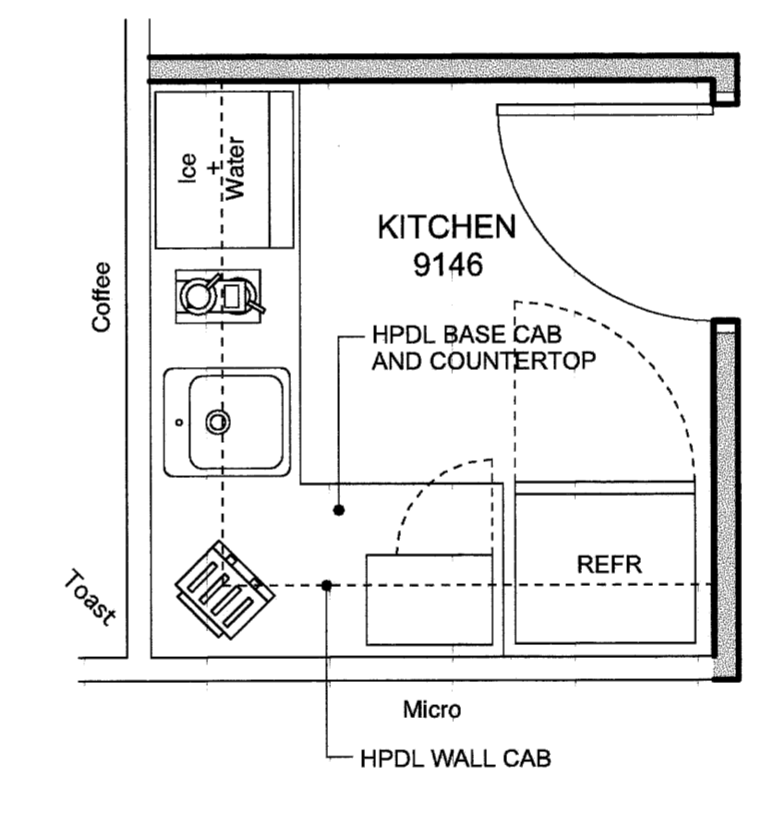
Bathroom Room 9153
 3/8" = 1'-0" South Elevation



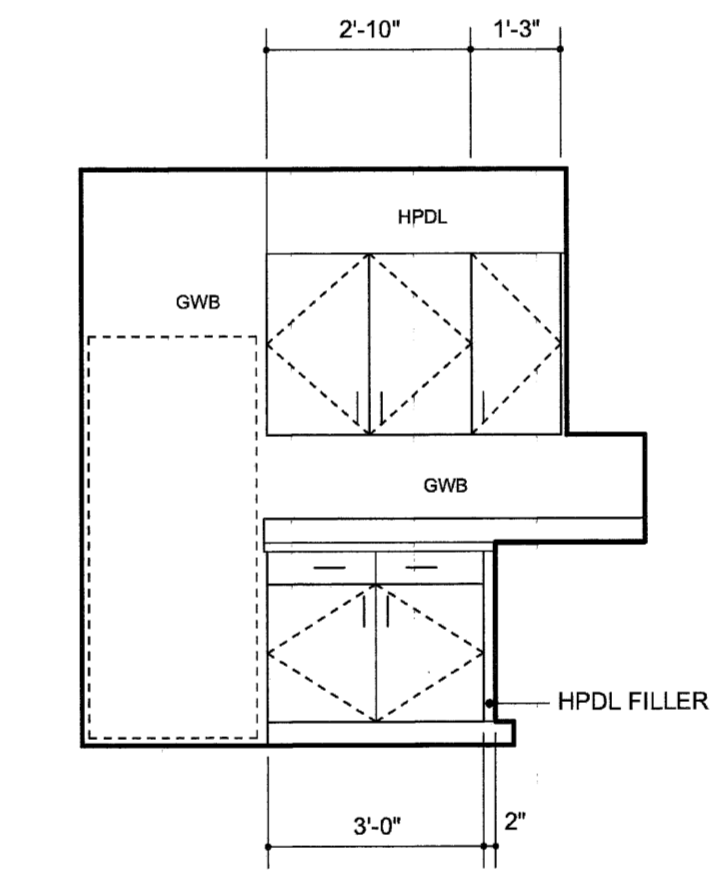
Kitchen Room 9114
 1/2" = 1'-0" South Elevation



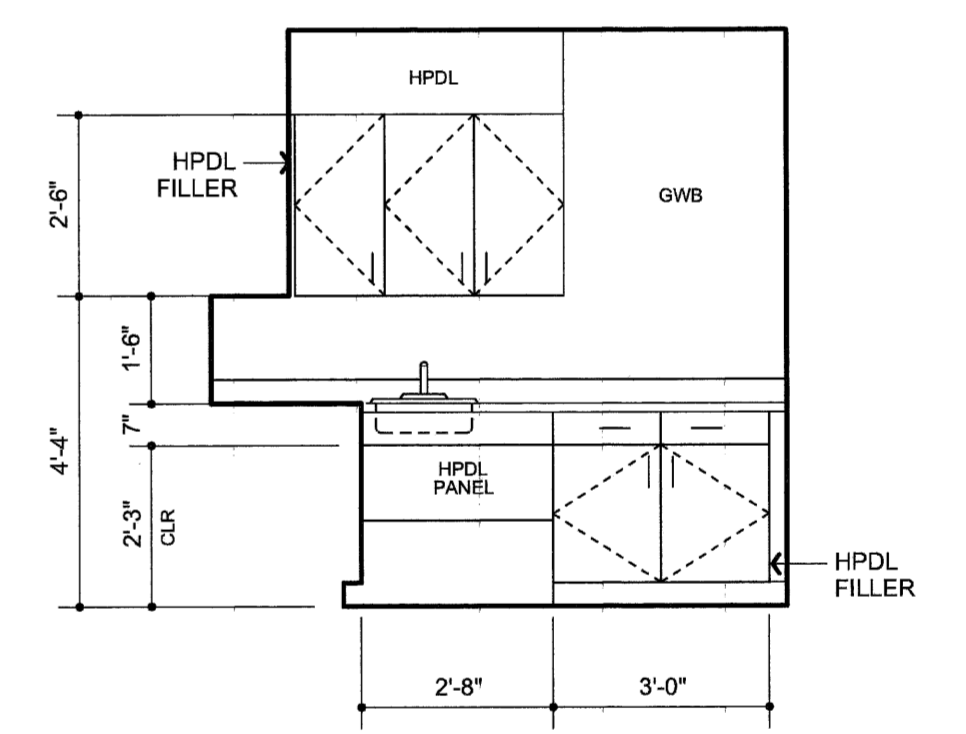
Kitchen Room 9114
 1/2" = 1'-0" West Elevation



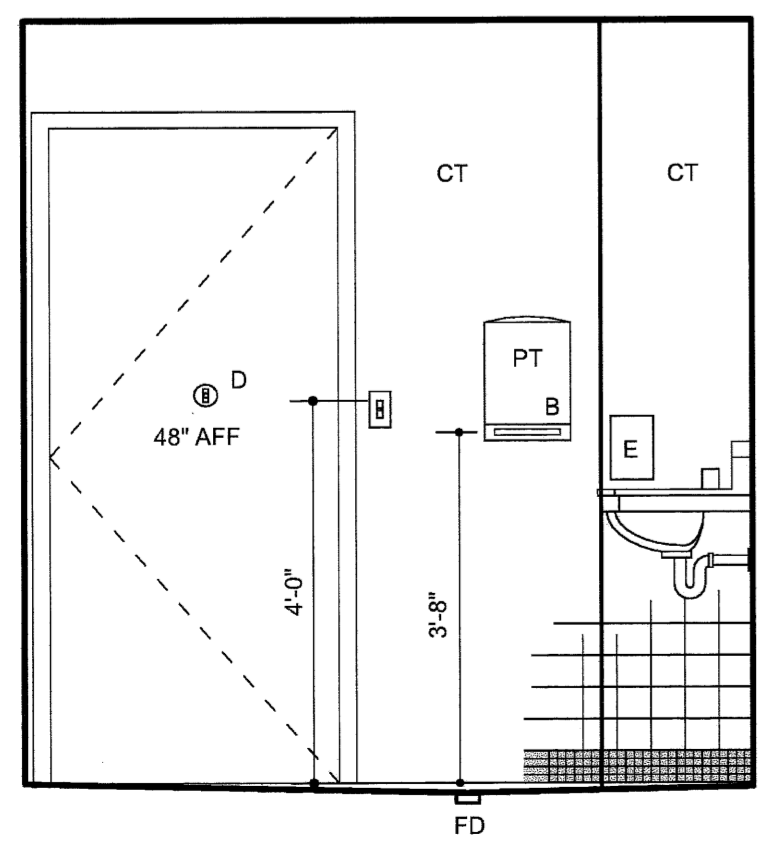
H Enlarged Floor Plan @ Kitchen Room 9146
 3/8" = 1' - 0"



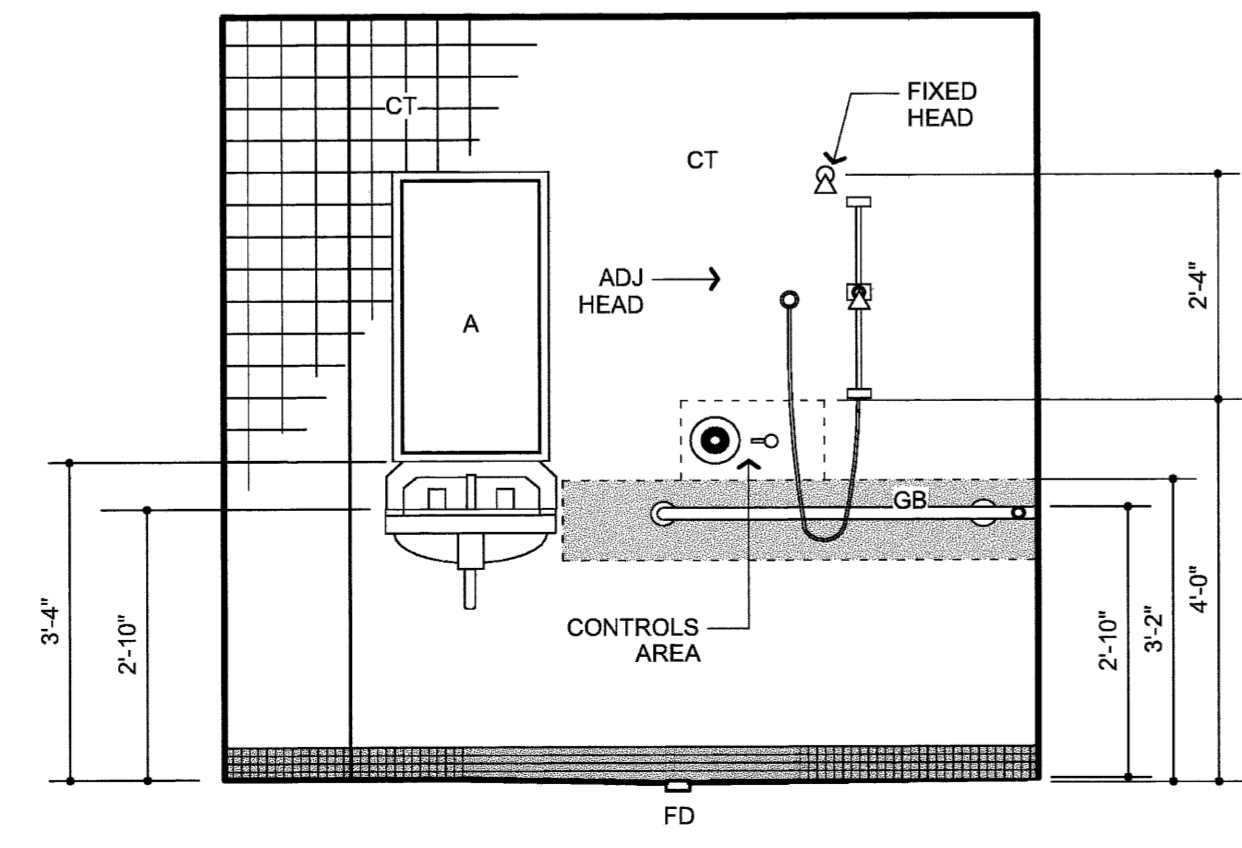
Kitchen Room 9146
 3/8" = 1'-0" South Elevation



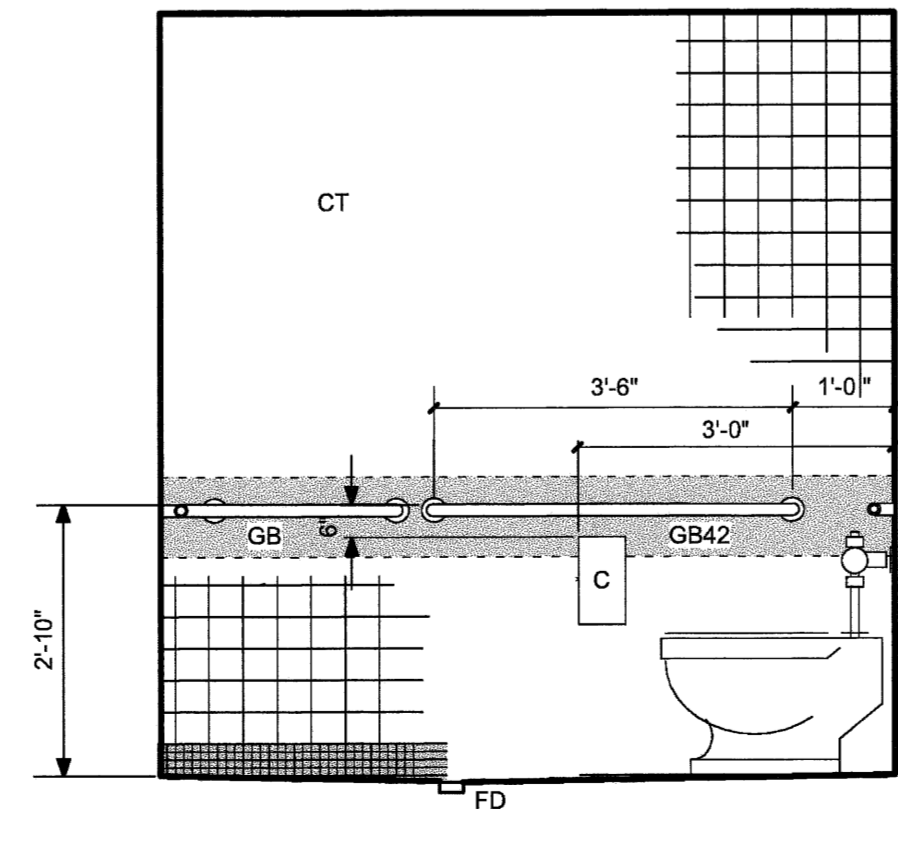
Kitchen Room 9146
 3/8" = 1'-0" West Elevation



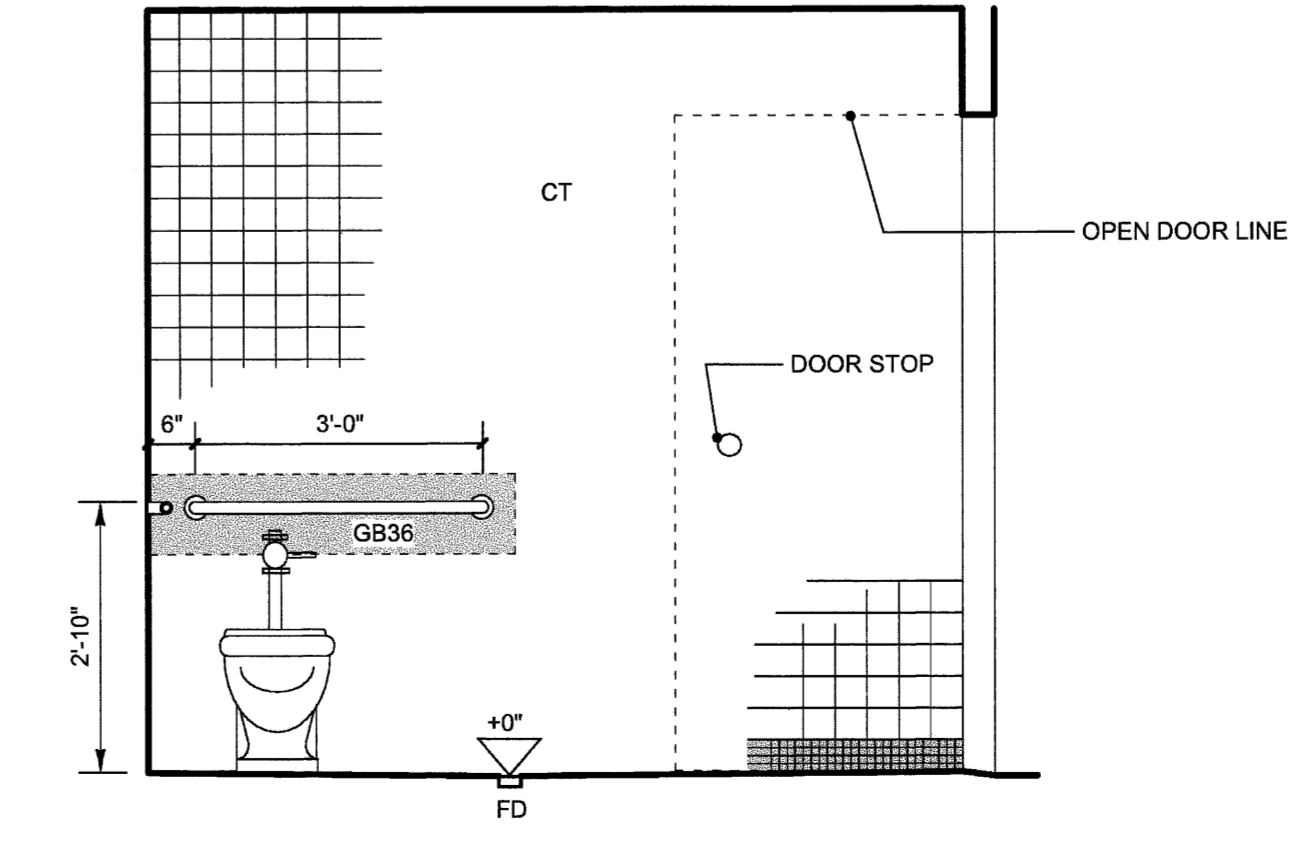
HC SHOWER ROOM - East Elevation
 1/2" = 1'-0" Room 9128



HC SHOWER ROOM - South Elevation
 1/2" = 1'-0" Room 9128



HC SHOWER ROOM - West Elevation
 1/2" = 1'-0" Room 9128



HC SHOWER ROOM - North Elevation
 1/2" = 1'-0" Room 9128

- LEGEND
- A - MIRROR 18 X 36
 - B - SURFACE MOUNTED PAPER TOWEL DISPENSER
 - C - SURFACE MOUNTED TOILET TISSUE DISPENSER
 - D - HOOK
 - E - SOAP DISPENSER
 - F - STAINLESS STEEL SHELF
 - GB36 - GRAB BAR 36"
 - GB42 - GRAB BAR 42"
 - GB - GRAB BAR FOR SHOWER
- NOTE: REFER TO SPECIFICATIONS 10800 FOR THE MANUF. AND MODEL NUMBERS

GENERAL NOTE: 2X10 CONTINUOUS BLOCK REINFORCING IN SHADED AREAS

Richards Wing
 Ninth Floor
 Renovations

Maine Medical Center
 Portland, Maine 04102

Architect
 Winton Scott Architects
 Portland, Maine

Mechanical Engineering
 Mechanical Systems Engineers
 Yarmouth, Maine

Electrical Engineering
 Swiftcurrent Engineering Services
 Yarmouth, Maine

Kitchens and
 Shower Room

A 1.5