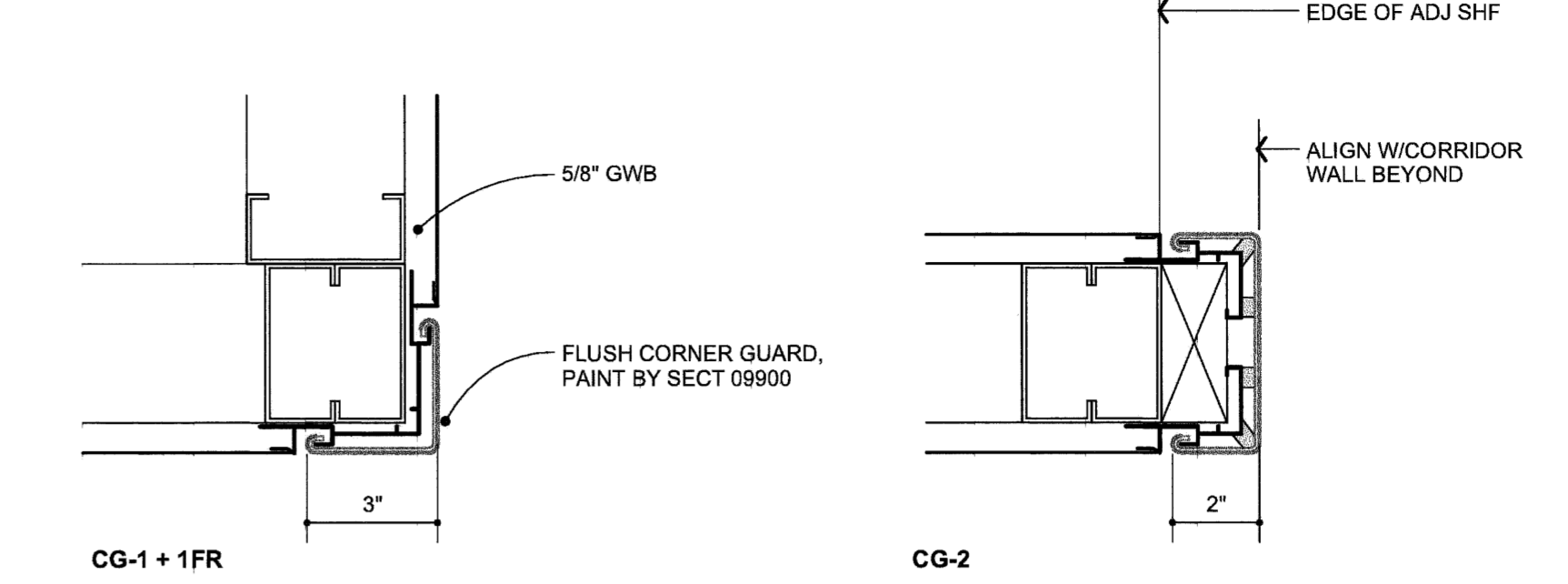
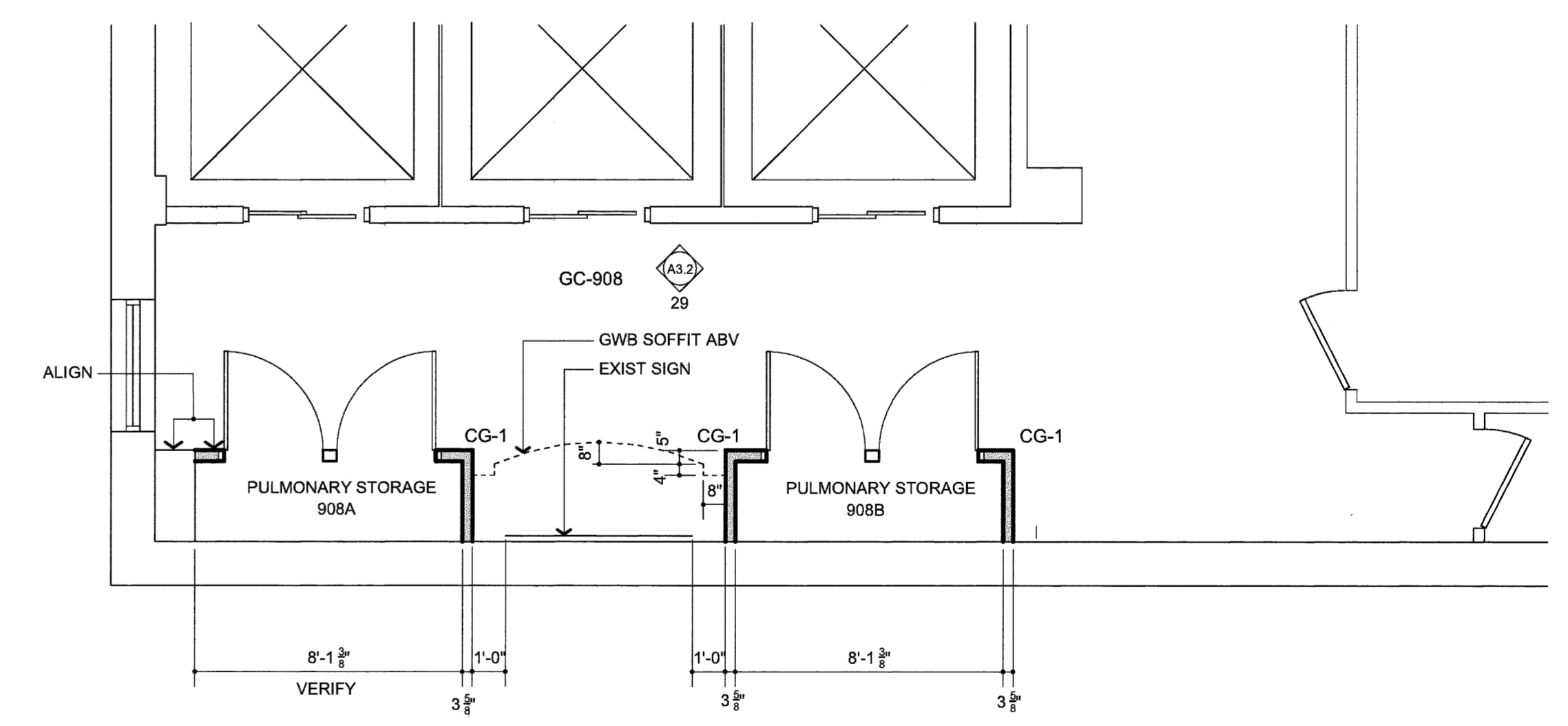


D Enlarged Floor Plan
1/4" = 1' - 0"



Corner Guard Plan Details
3" = 1' - 0"



E Enlarged Floor Plan
1/4" = 1' - 0"

Richards Wing
Ninth Floor
Renovations

Maine Medical Center
Portland, Maine 04102

Architect
Winton Scott Architects
Portland, Maine

Mechanical Engineering
Mechanical Systems Engineers
Yamouth, Maine

Electrical Engineering
Swiftcurrent Engineering Services
Yamouth, Maine

Enlarged Floor Plans
A 1.4

Scale: 1/8" = 1' - 0"
March 16, 2009