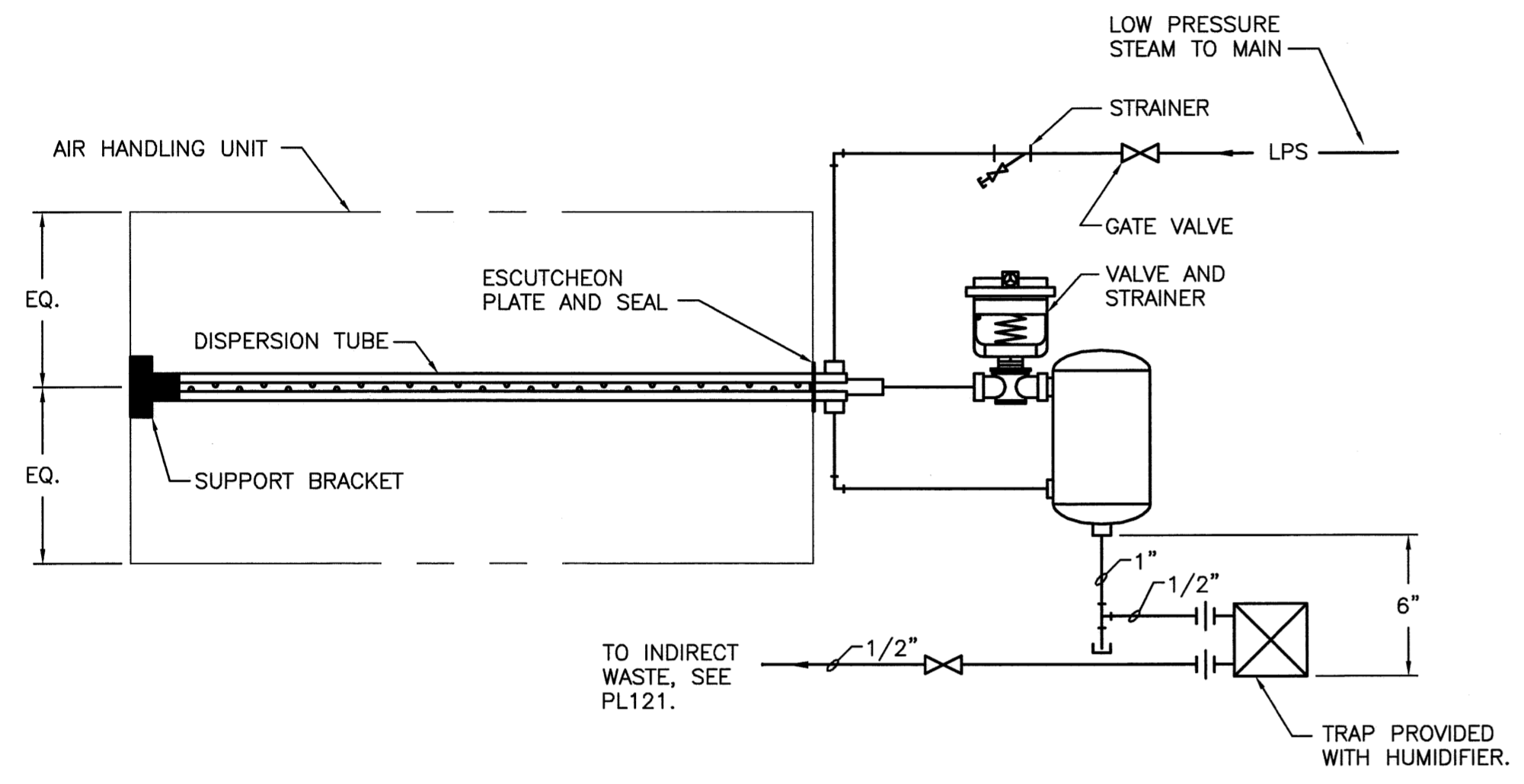


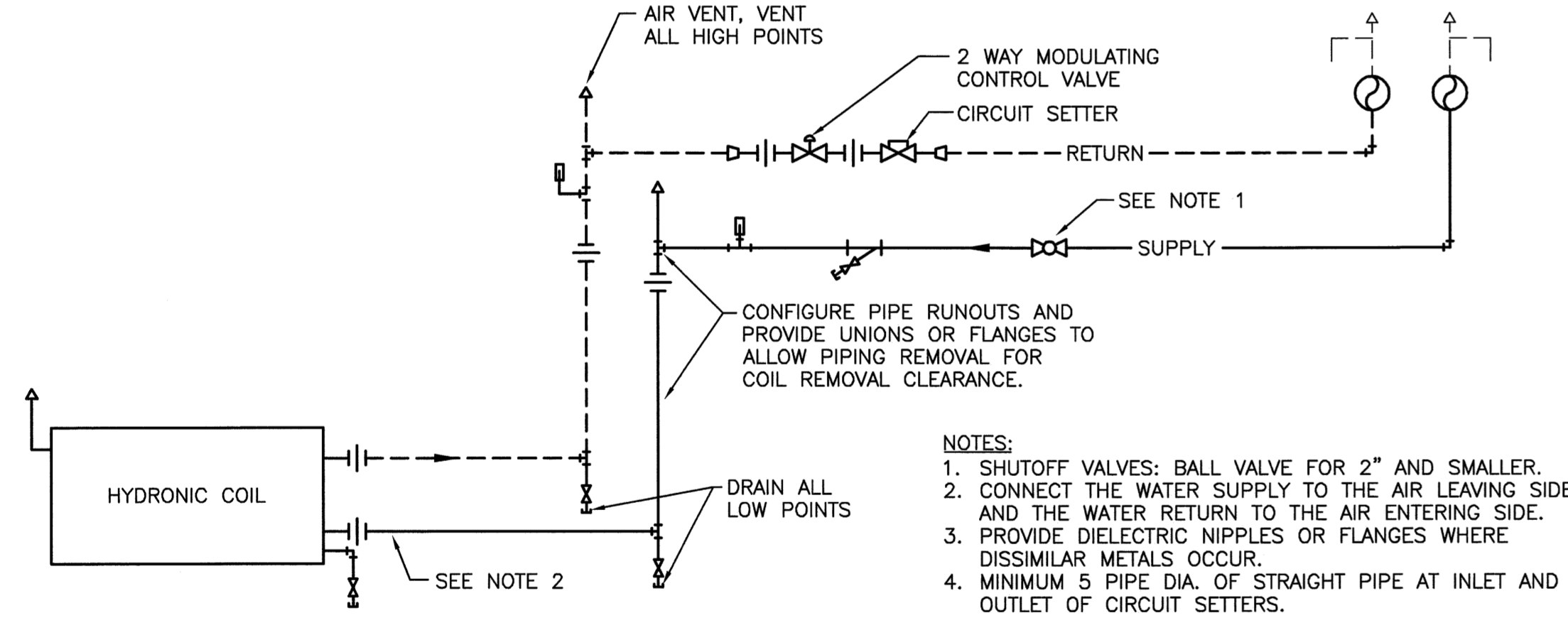
**L1** RECTANGULAR DUCT MAIN AND BRANCH TAKE OFFS

NOT TO SCALE



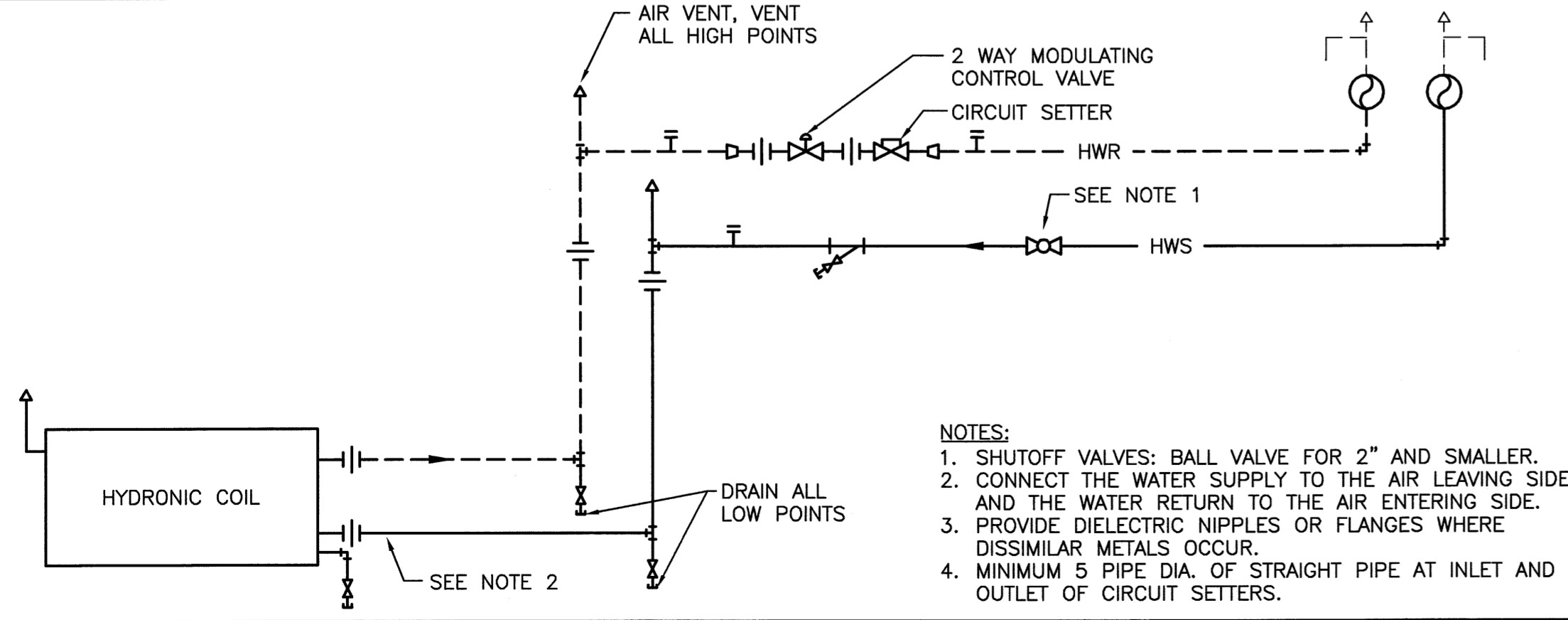
**G1** HUMIDIFIER DETAIL

NOT TO SCALE



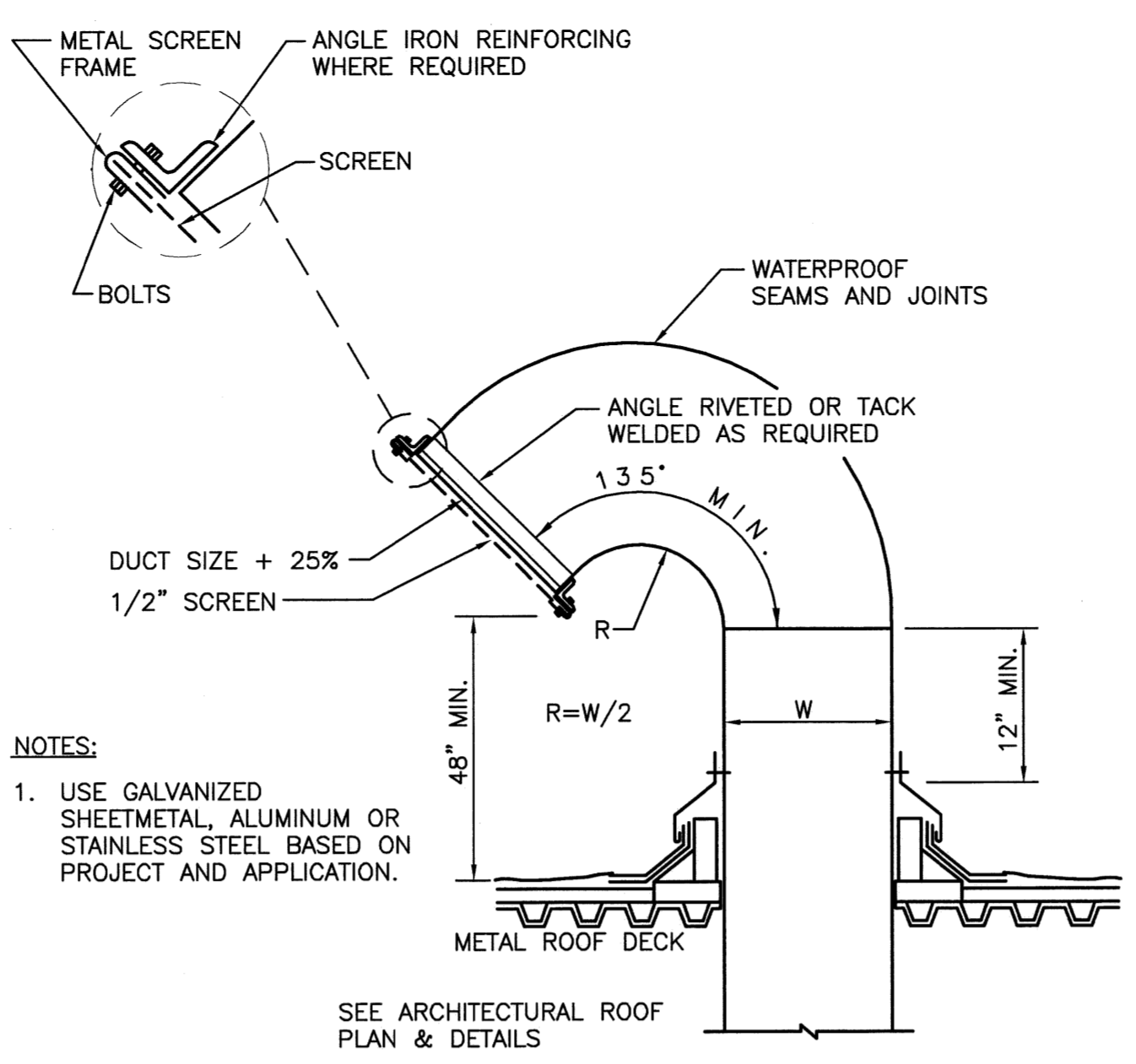
**D1** HYDRONIC COIL PIPING DETAIL, 1 TIER, TWO-WAY VALVE

NOT TO SCALE



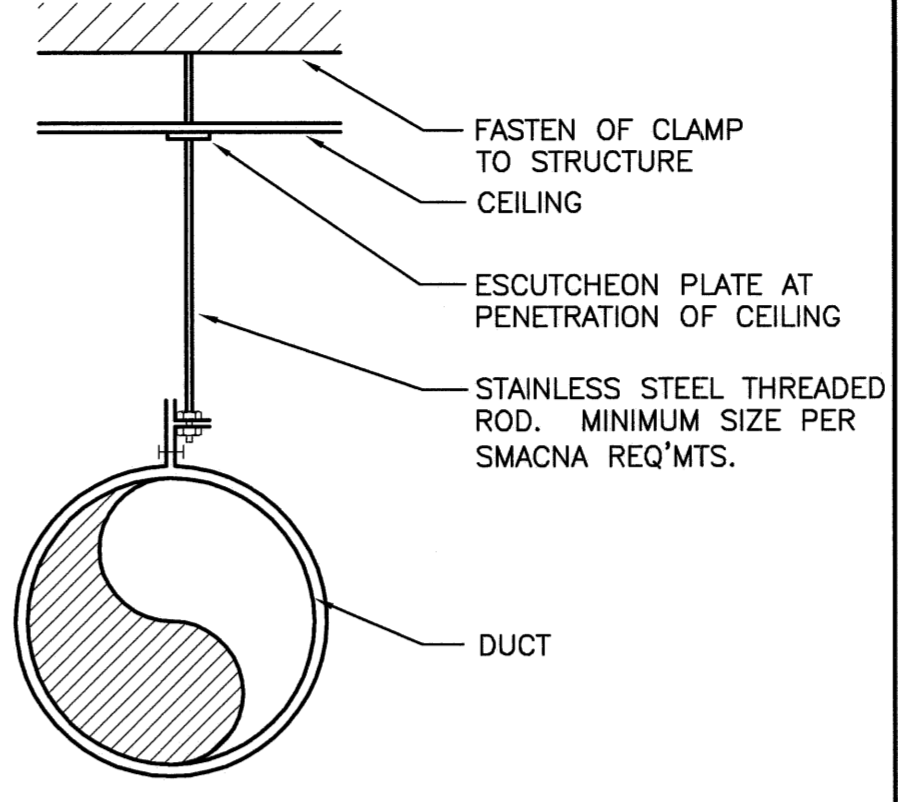
**A1** DUCT MOUNTED REHEAT COIL, TWO-WAY VALVE

NOT TO SCALE



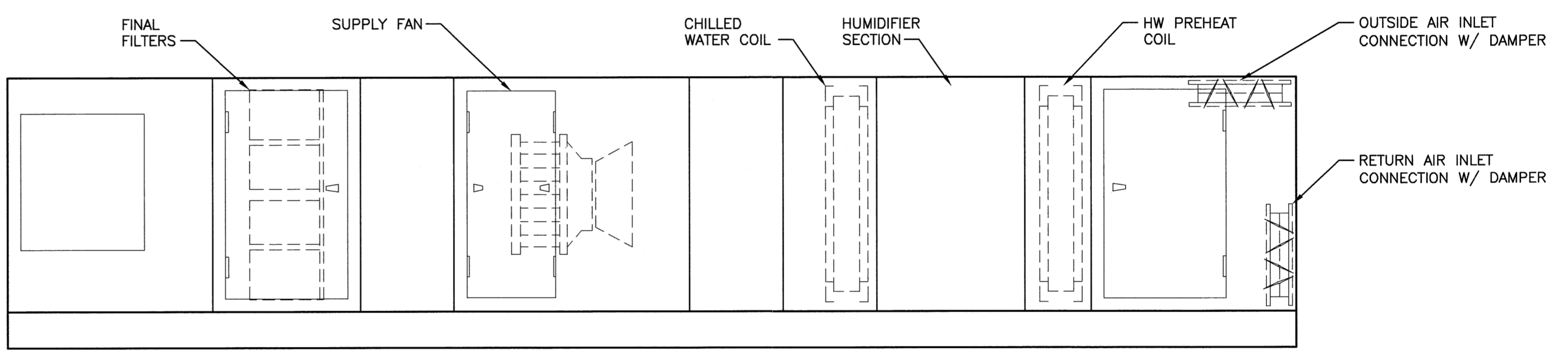
**J7** TYPICAL GOOSENECK DETAIL

NOT TO SCALE



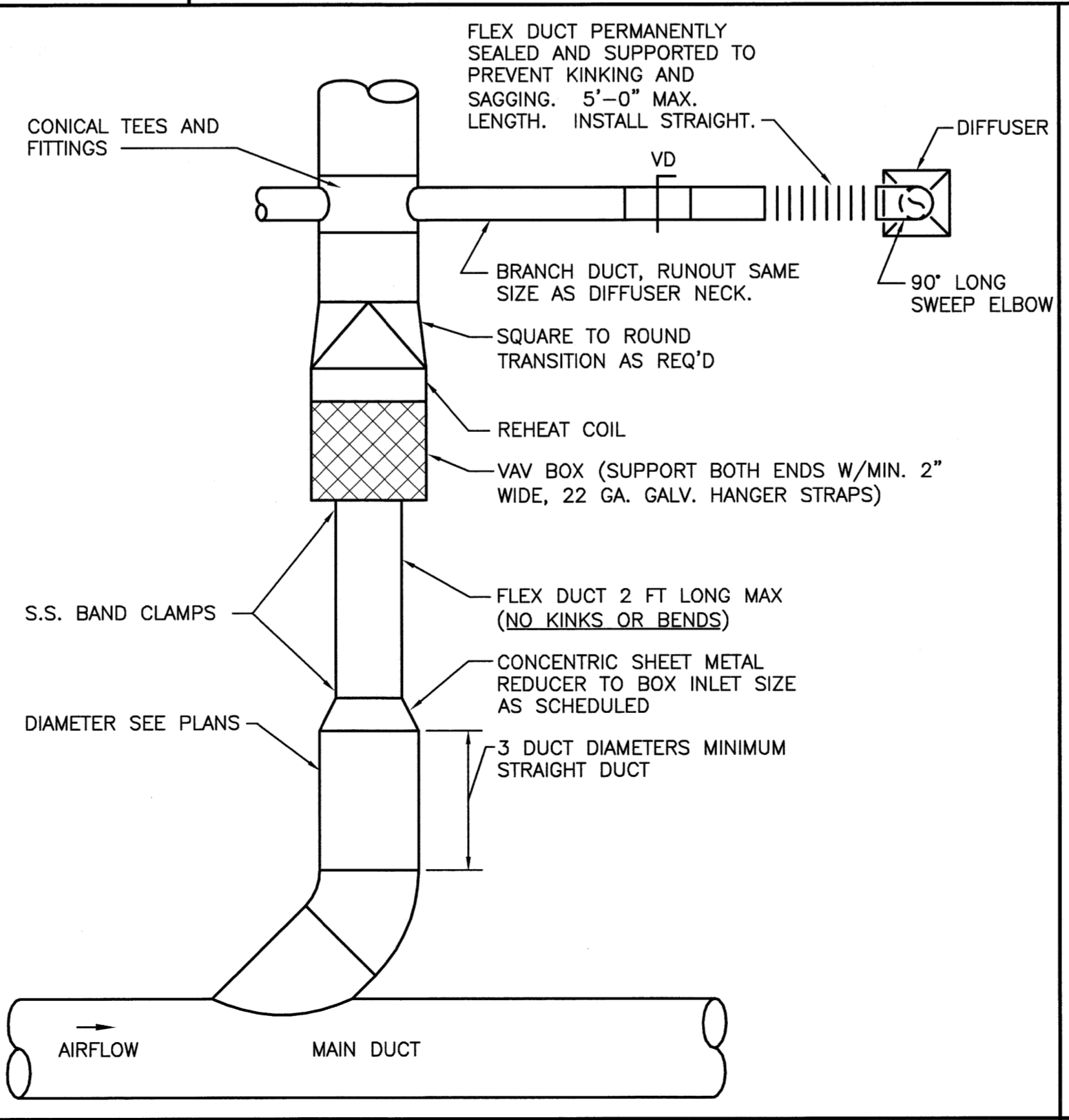
**J10** DUCT HANGER

NOT TO SCALE



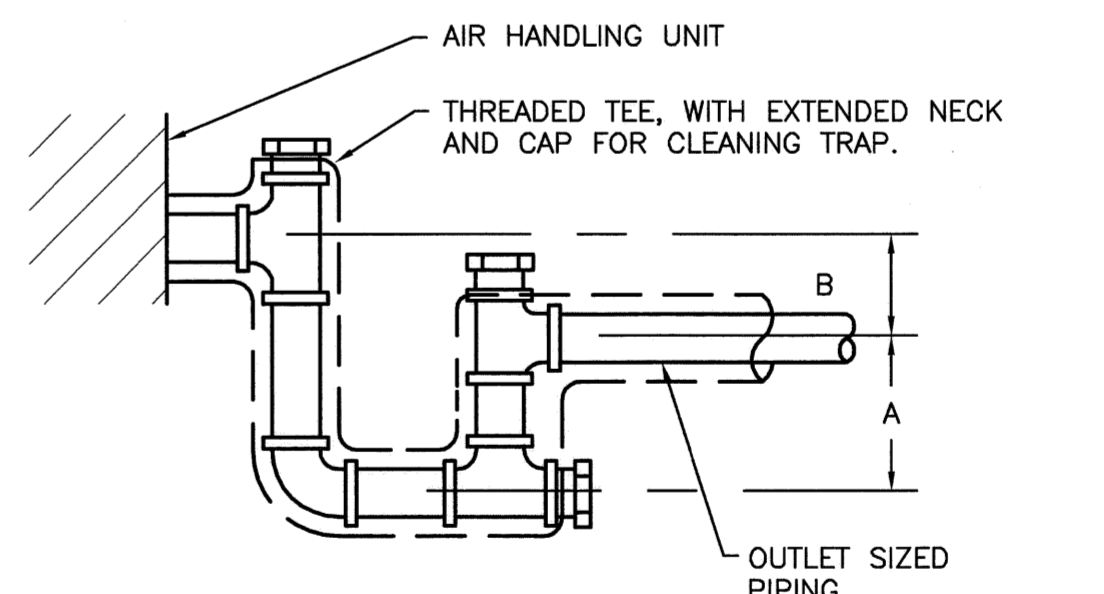
**F7** AIR HANDLING UNIT AHU-128 ELEVATION

NOT TO SCALE



**A7** VAV BOX SCHEMATIC

NOT TO SCALE



**DRAWTHRU**  
 A = 1/2 B  
 B = GREATER OF 2" OR 1" PLUS AHU TOTAL PRESSURE IN INCHES-WC

**NOTES:**  
 1. 1/2" MIN. PIPE SIZE OR SIZE PER DRAIN TAP IN AHU INSULATE FOR CONDENSATE CONTROL AS REQUIRED.  
 2. P-TRAP WITH AIR GAP REQUIRED IN CONDENSATE LINE DRAINING TO SEWER VENTS OR ACID WASTE PUMP STATION.

**A11** CONDENSATE DRAIN TRAP

NOT TO SCALE

**NOTE:**  
 1. SEE SHEET M-001 FOR LEGEND AND ABBREVIATIONS.

144 Fore Street, P.O. Box 618  
 Portland, Maine 04104  
 Tel: (207) 772-2846  
 Fax: (207) 772-1070  
 www.smbc.com

ARCHITECTURE  
 ENGINEERING  
 PLANNING  
 INTERIOR DESIGN  
 COMMISSIONING



MAINE MEDICAL CENTER  
 ENDOSCOPY & VASCULAR DEPT. RENOVATION  
 PORTLAND, ME

ISSUED FOR CONSTRUCTION  
 2-24-09

REV	DATE	DESCRIPTION
0	2-24-09	ISSUED FOR CONSTRUCTION

GRAPHIC SCALE: 0" 1"

SCALE: NOT TO SCALE

PROJECT MANAGER: DW  
 I/C/DRAWN BY: DIL  
 A/E OF RECORD: TC  
 CAD FILE: M-502-05169  
 PROJECT NO: 05169  
 DATE: 2-24-09

SHEET TITLE: DETAILS

SHEET No. **M-502**