

**K1** TYP. RETURN & TRANSFER GRILLE PLENUM

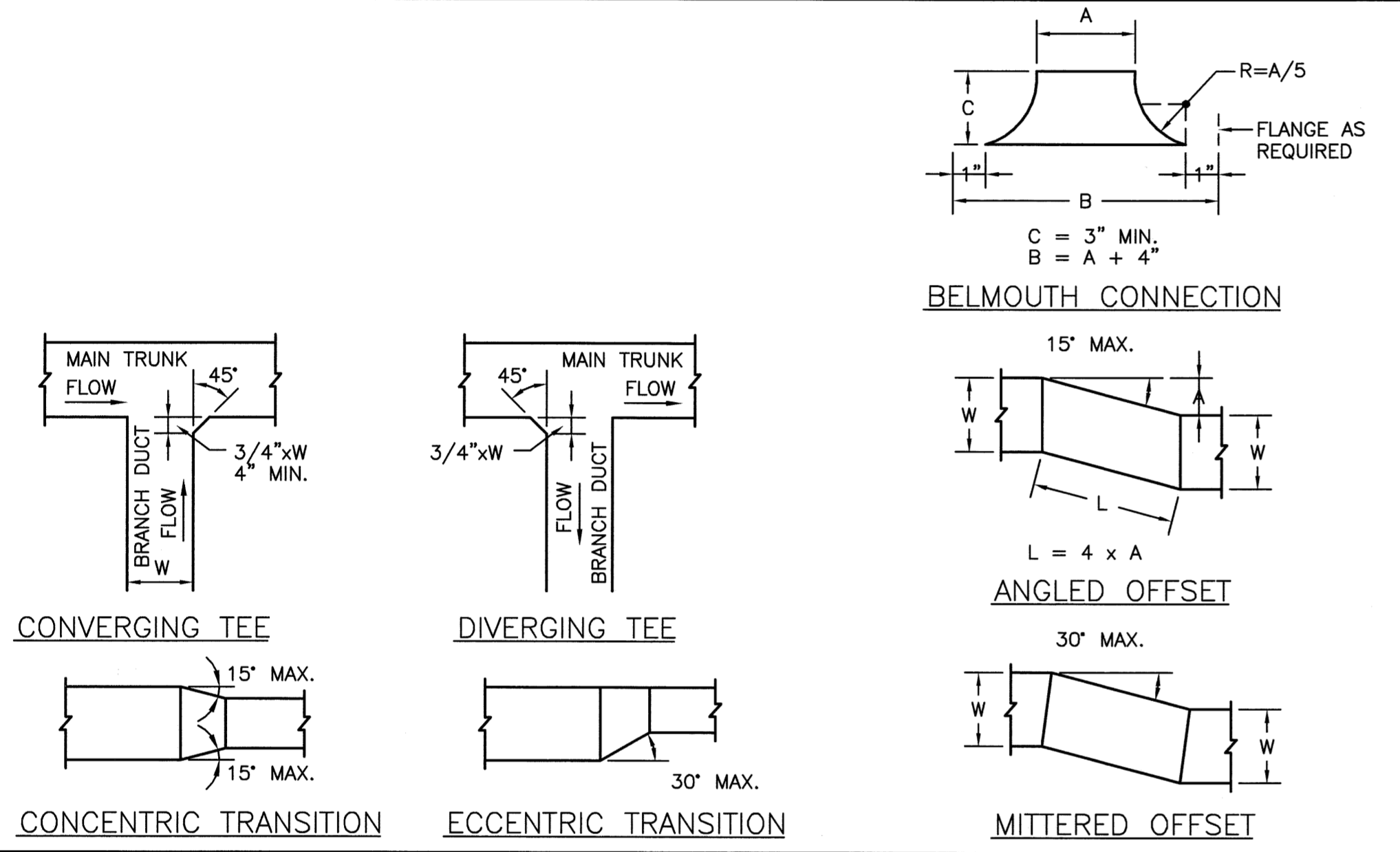
NOT TO SCALE \*

**NOTE:**  
1. SEE SHEET M-001 FOR LEGEND AND ABBREVIATIONS.

144 Free Street, P.O. Box 618  
Portland, Maine 04104  
tel. (207) 772-3846  
fax. (207) 772-1070  
www.smarthinc.com

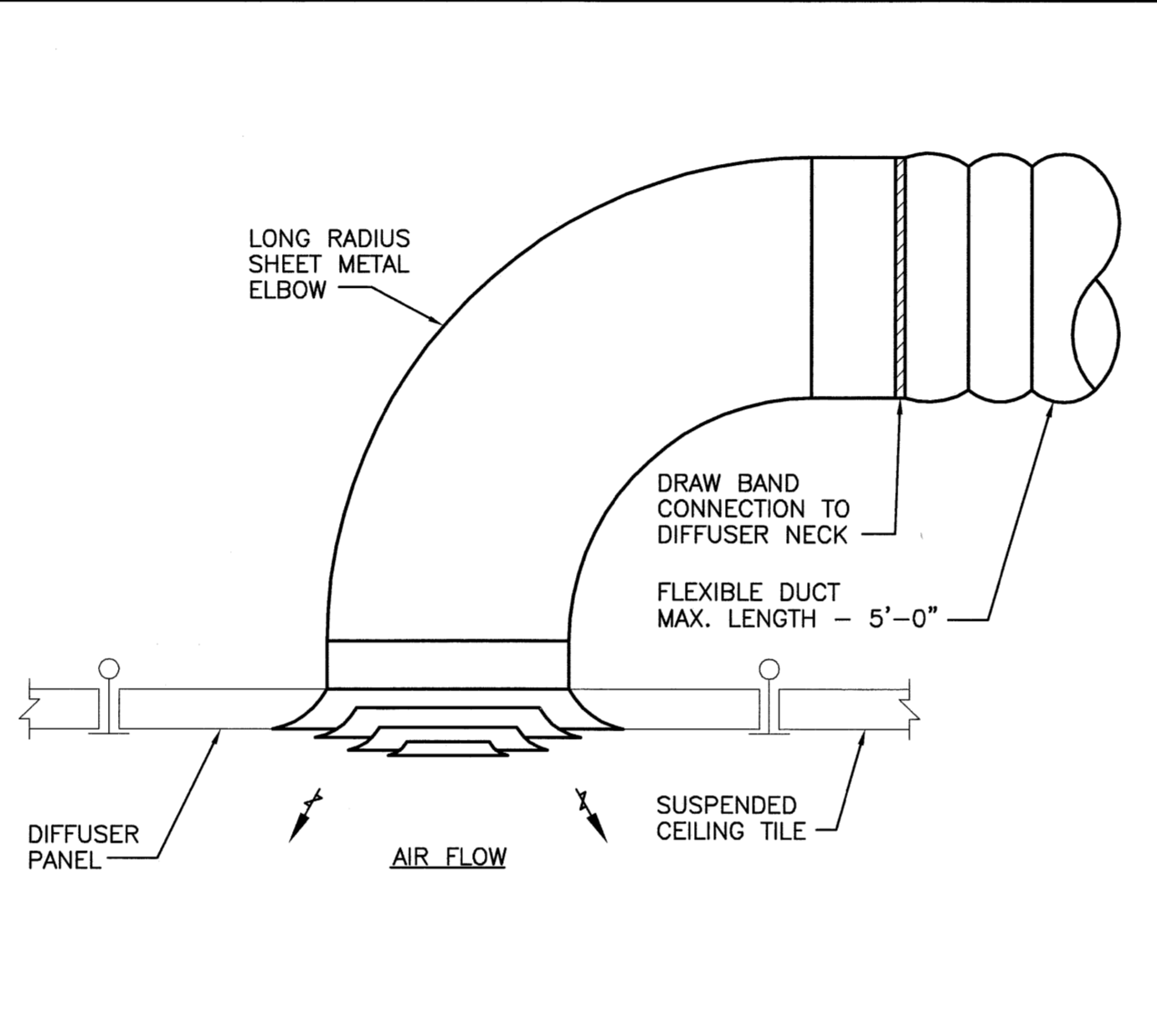
ARCHITECTURE  
ENGINEERING  
PLANNING  
INTERIOR DESIGN  
COMMISSIONING

**SMART**



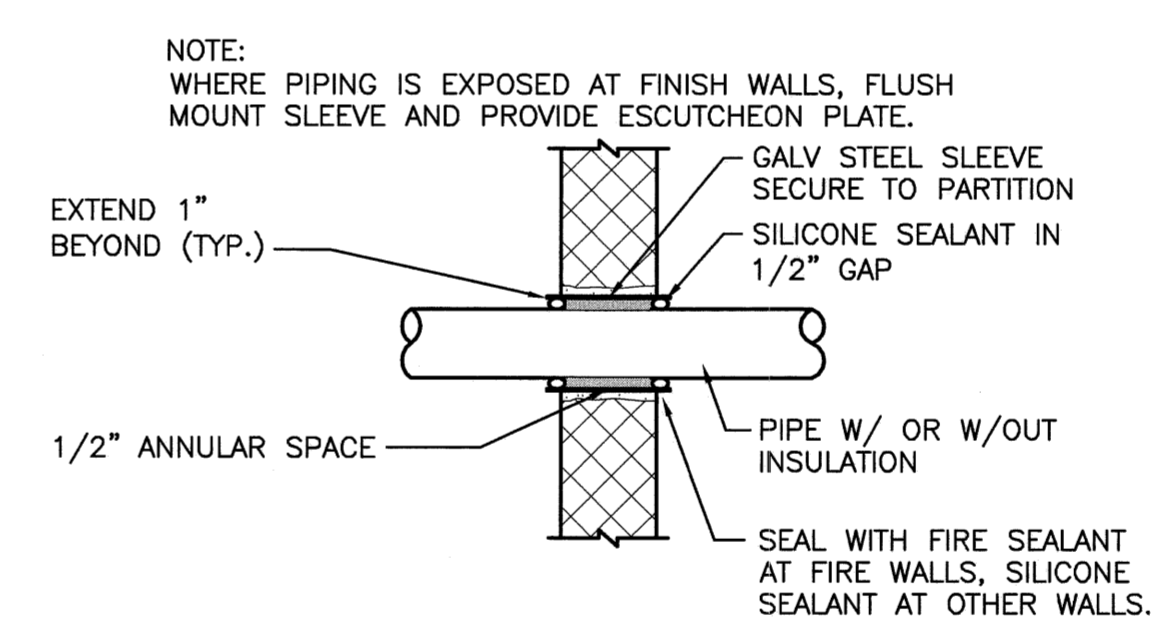
**F1** DUCT TRANSITIONS

NOT TO SCALE \*

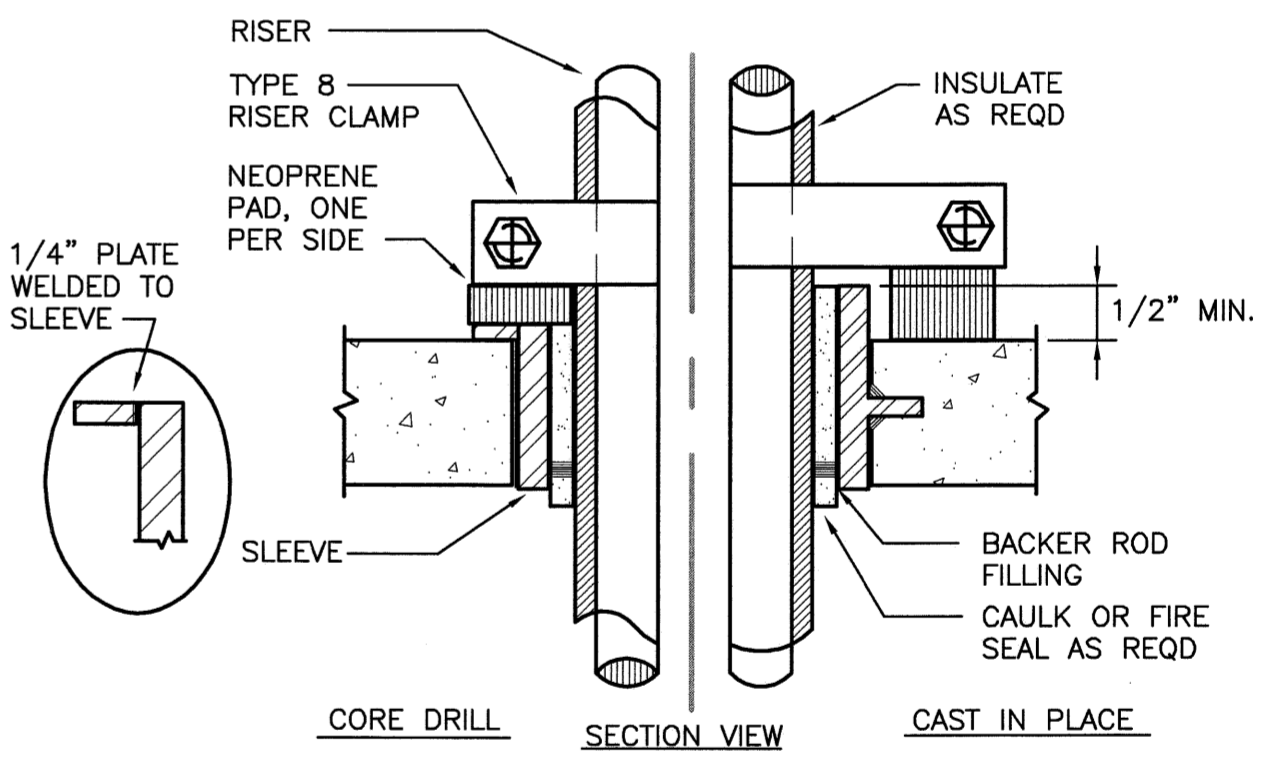


**F6** FLEXIBLE DUCT

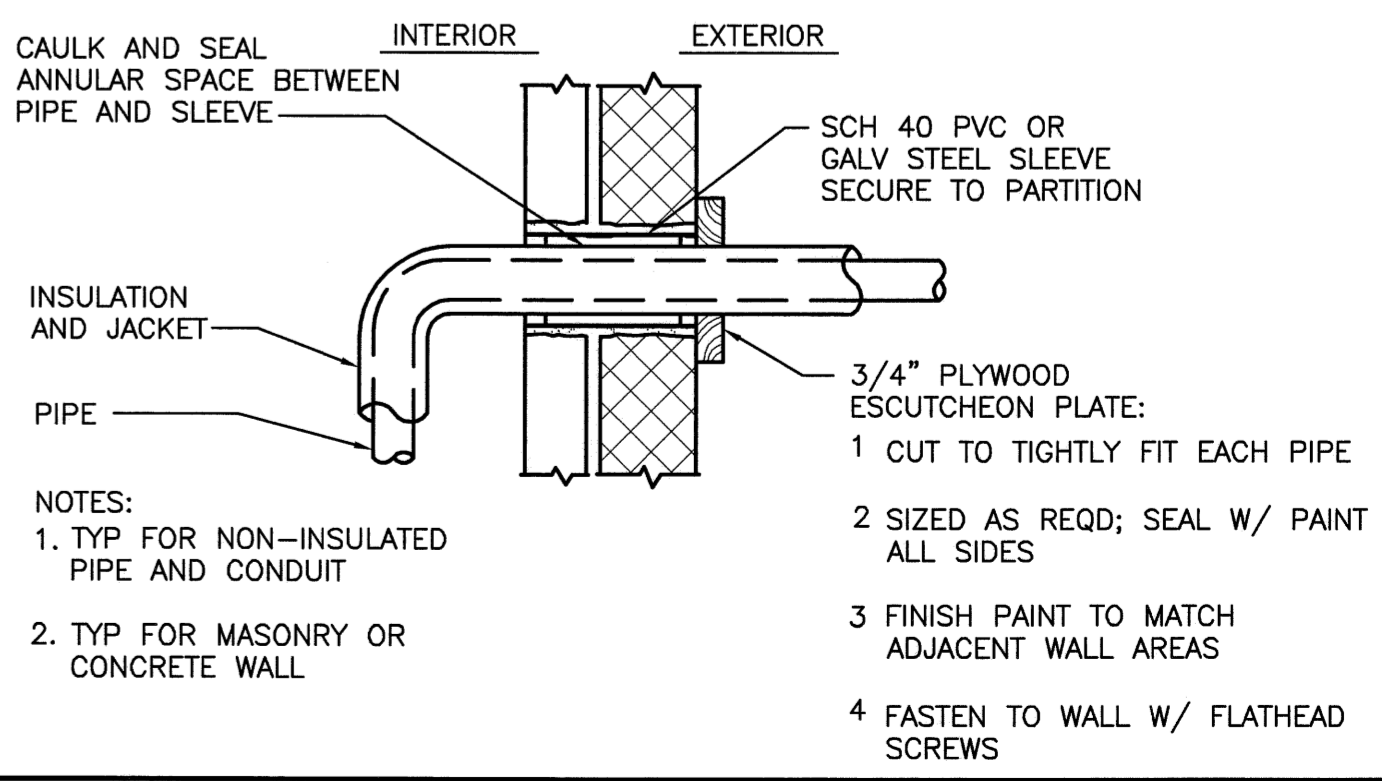
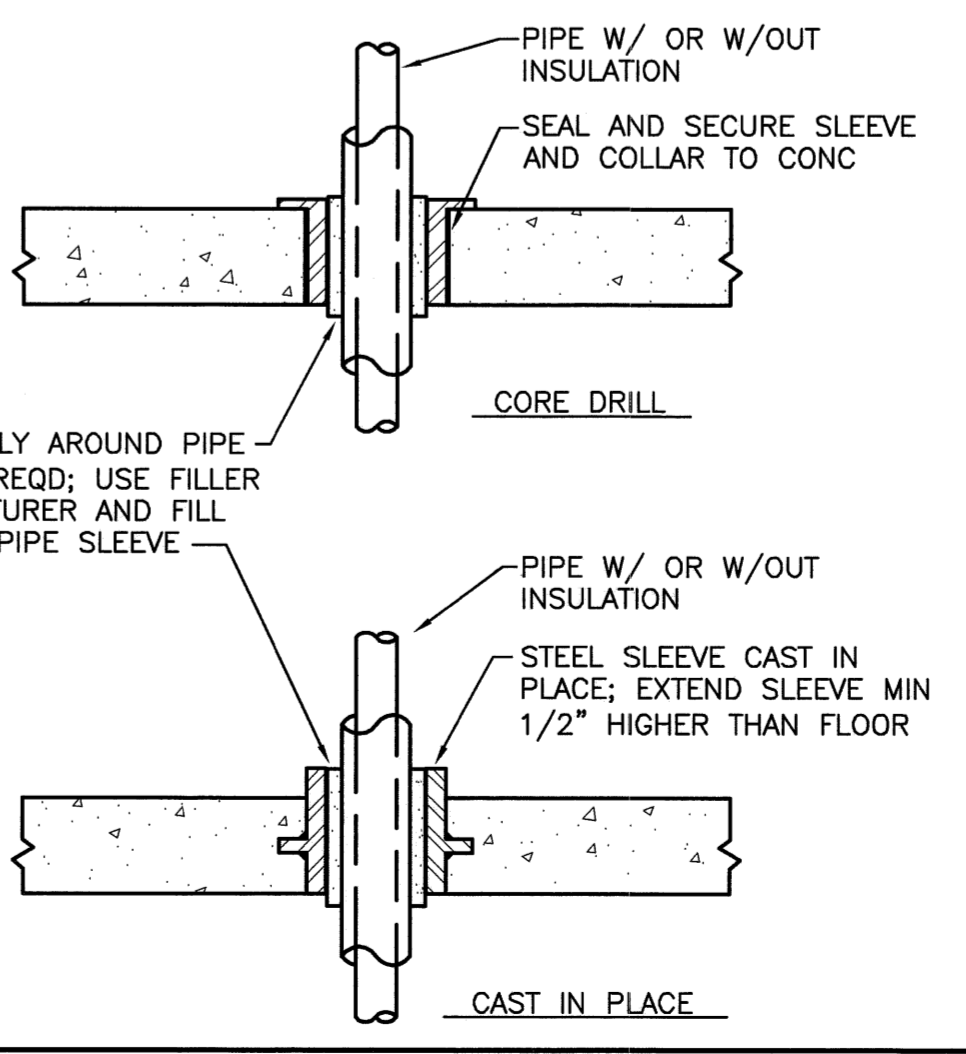
NOT TO SCALE \*



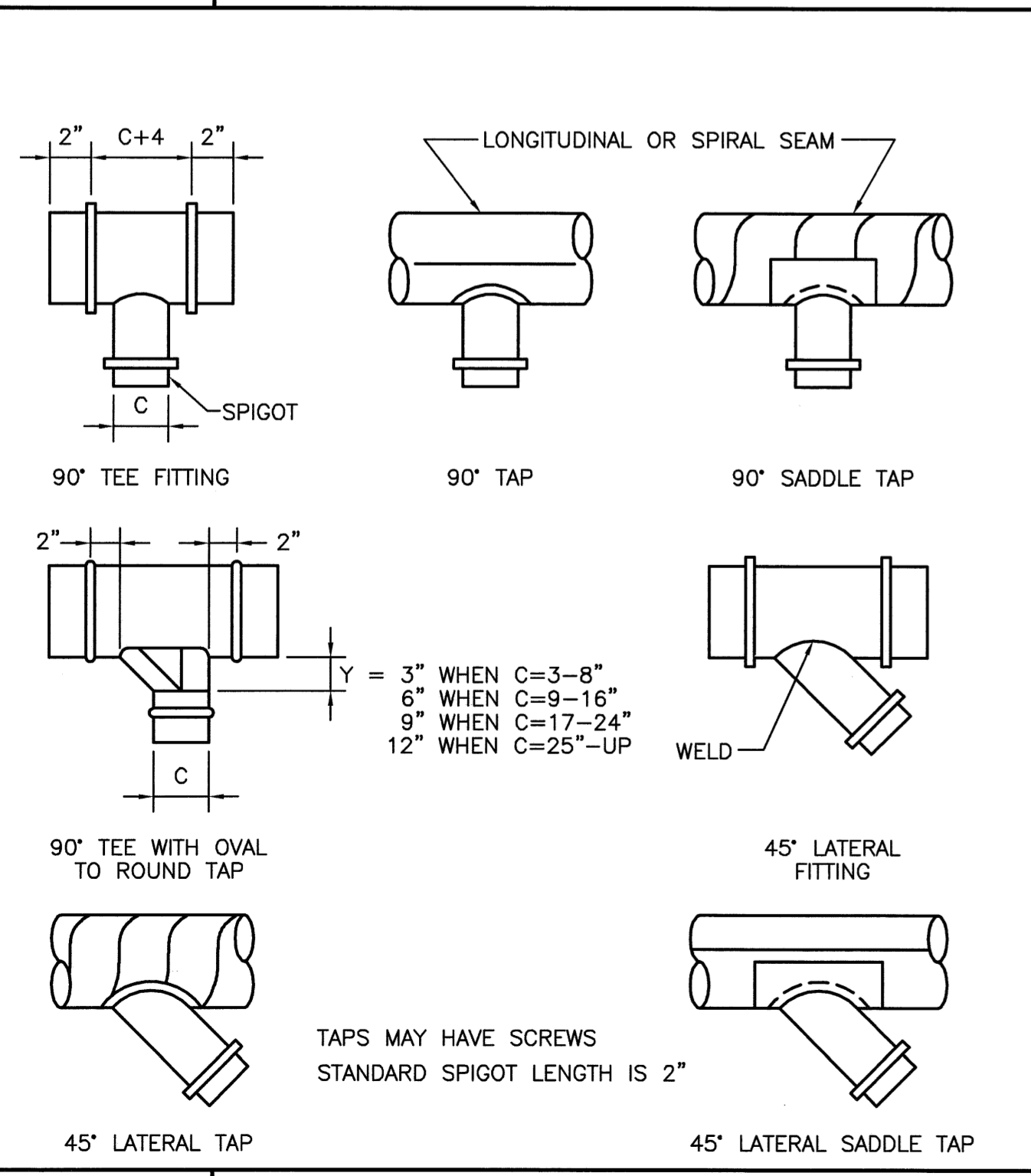
NOTE: CORE DRILL EXISTING FLOOR AND SLEEVE TO FIT SIZE.



NOTE: IF CAST IN PLACE, USE STEEL SLEEVE AND SET NEOPRENE PAD ON CONC.

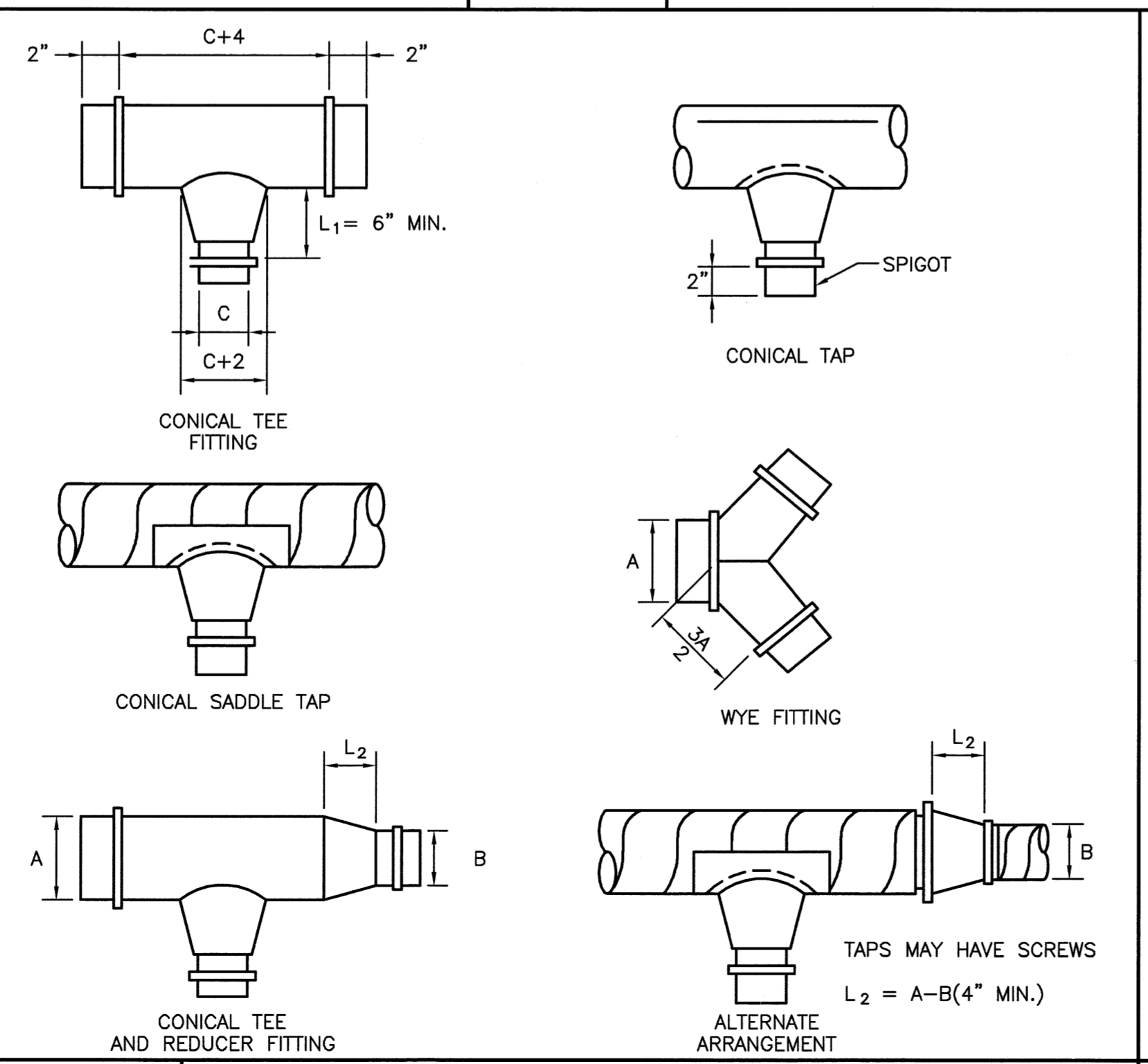


NOTES:  
1. TYP FOR NON-INSULATED PIPE AND CONDUIT  
2. TYP FOR MASONRY OR CONCRETE WALL



**A1** TEES AND LATERALS

NOT TO SCALE \*



**A4** CONICAL TEES

NOT TO SCALE \*

**A9** PIPE PENETRATION DETAILS

NOT TO SCALE \*

STATE OF MAINE  
LICENSED PROFESSIONAL ENGINEER  
No. 8241  
2-25-09

MAINE MEDICAL CENTER  
ENDOSCOPY & VASCULAR DEPT. RENOVATION  
PORTLAND, ME  
ISSUED FOR CONSTRUCTION  
2-24-09  
CURRENT ISSUE STATUS:

REV	DESCRIPTION	DATE
0	ISSUED FOR CONSTRUCTION	2-24-09

GRAPHIC SCALE:  
0 1'

SCALE: NOT TO SCALE

PROJECT MANAGER: DWT  
IC/DRAWN BY: DIL  
A/E OF RECORD: TC  
CAD FILE: M-501-05169  
PROJECT NO: 05169  
DATE: 2-24-09

SHEET TITLE:  
DETAILS