

DOOR NUMBER	DOOR			GLAZING	FRAME			HWS	FIRE RATING (MIN.)	DOOR NUMBER	REMARKS	
	SIZE	MATERIAL	ELEVATION		MATERIAL	ELEVATION	HEAD					JAMB
17	1'-6"x7'-0", 3'-6"x7'-0"	WD	NG	TEMP	HM	2	D4/AE601	A4/AE601	-	OR	17	LEAD LINED DOOR AND FRAME
B057	3'-0"x7'-0"x1-3/4"	WD	NG	TEMP	HM	1	D4/AE601	A4/AE601	-	O	B057	
B057A.1	9'-0"x7'-0"		ICU1	SATIN TRANS							B057A.1	SATIN TRANSLUCENT TEMP GLAZING
B057A.2	9'-0"x7'-0"		ICU2	SATIN TRANS							B057A.2	SATIN TRANSLUCENT TEMP GLAZING
SS05	3'-0"x7'-0"x1-3/4"	WD	NG	TEMP	HM	1	D4/AE601	A4/AE601	-	S2	SS05	
SS06	3'-0"x7'-0"x1-3/4"	WD	NG	WIRE	HM	1	D4/AE601	A4/AE601	-	S1	SS06	
B059	4'-0"x7'-0"x1-3/4"	WD	NG	WIRE	HM	1	D4/AE601	A4/AE601	-	S1	B059	
DC-B-OR16	3'-0"x7'-0"x1-3/4"	HM	HM	-	HM	1	D4/AE601	A4/AE601	-	E	90	DC-B-OR16

K1	DOOR SCHEDULE
1/4" = 1'-0"	A-101

ROOM NUMBER	ROOM NAME	FLOOR	BASE	WALLS				CEILING		ROOM NUMBER	REMARKS
				NORTH	SOUTH	EAST	WEST	MATERIAL	HEIGHT		
17	OR #17	SEE A-102	FC	PTD-1,2,3	PTD-1,2,3	PTD-1,2,3	PTD-1,2,3	GWB	9'-6"	17	SEE INTERIOR ELEVATIONS FOR ACCENT PTD
B057	CONTROL ROOM	SEE A-102	FC	PTD-2	PTD-2	PTD-2	PTD-2	GWB	9'-0"	B057	PROVIDE CONTINUOUS WEATHERSTRIP/SWEEP
B057A	EQUIPMENT ROOM	SEE A-102	FC	PTD-1	PTD-1	PTD-1	PTD-1	ACT-1	9'-0"	B057A	
B059	SUB-STERILE	SEE A-102	MATCH EXIST	PTD	PTD	PTD	PTD	ACT-1	7'-6"	B059	PATCH/PAINT TO MATCH EXISTING FINISHES
SS05	SUB-STERILE	SEE A-102	FC	PTD-1	PTD-1	PTD-1	PTD-1	GWB	9'-0"	SS05	PROVIDE CONTINUOUS WEATHERSTRIP/SWEEP
DC-B-OR10	CORRIDOR	SEE A-102	MATCH EXIST	PTD	PTD	PTD	PTD	GWB	9'-0"	DC-B-OR10	PATCH/PAINT TO MATCH EXISTING FINISHES

FINISH SPECIFICATIONS:

ACOUSTICAL CEILING TILE
 ACT-1 USG MARS "CLIMAPLUS", 2X2X3/4" WITH DXL SUSPENSION SYSTEM, SEE SPECIFICATIONS.

CORNER GUARD
 CG-1 C/S ACROVYN, SM SERIES CORNER GUARD TO MATCH PWC, COLOR: #933 MISSION WHITE.

PAINT
 PTD-1 ICI PAINTS, (FIELD & TRIM), ANTIQUE WHITE #739
 PTD-2 ICI PAINTS, (ACCENT), CHEMAYO SAGE
 PTD-3 ICI PAINTS, (ACCENT), KHAKI GREEN

RUBBER BASE
 RB-1 JOHNSONITE, 4-INCH STANDARD COVE BASE, COLOR: #80 FAWN.

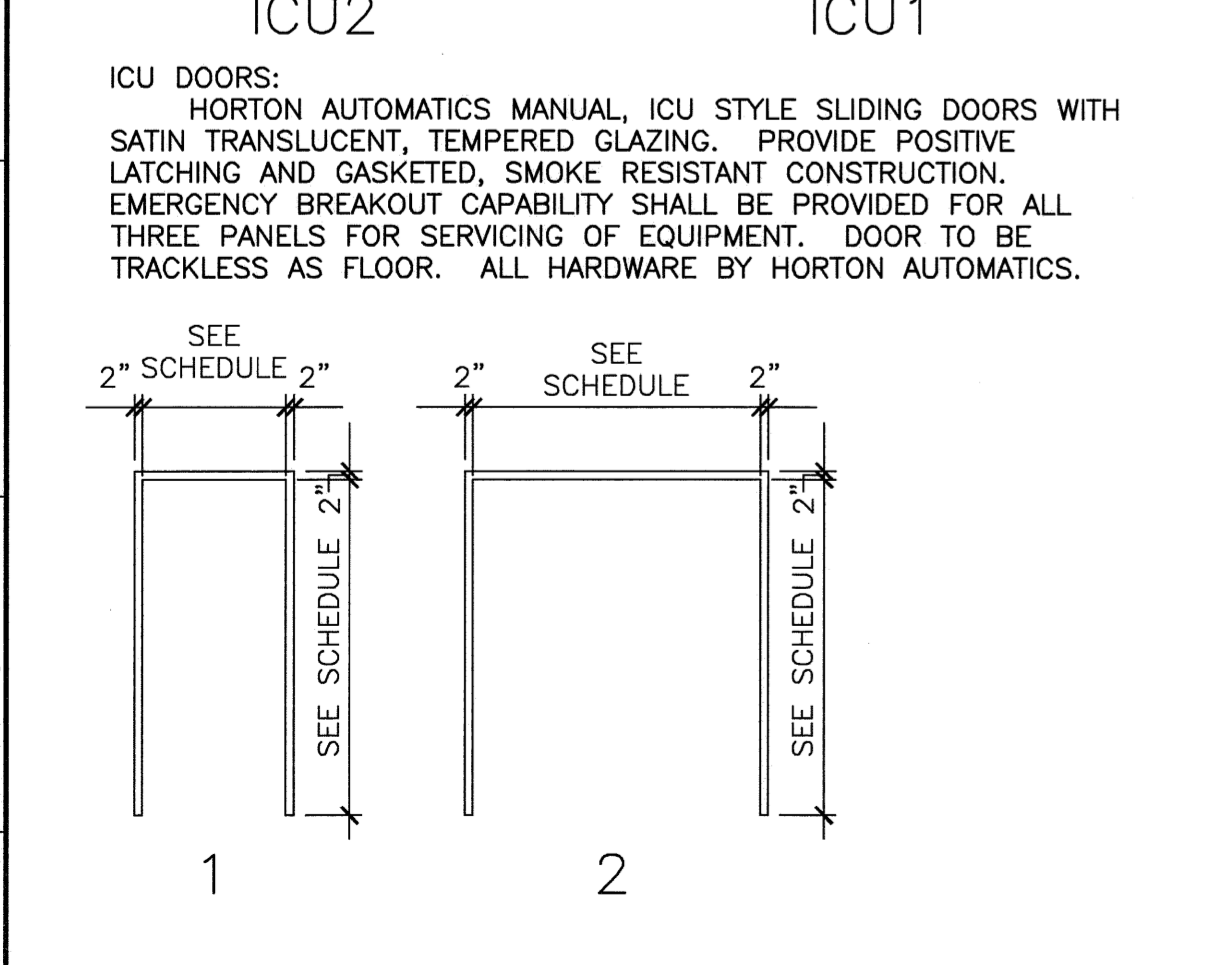
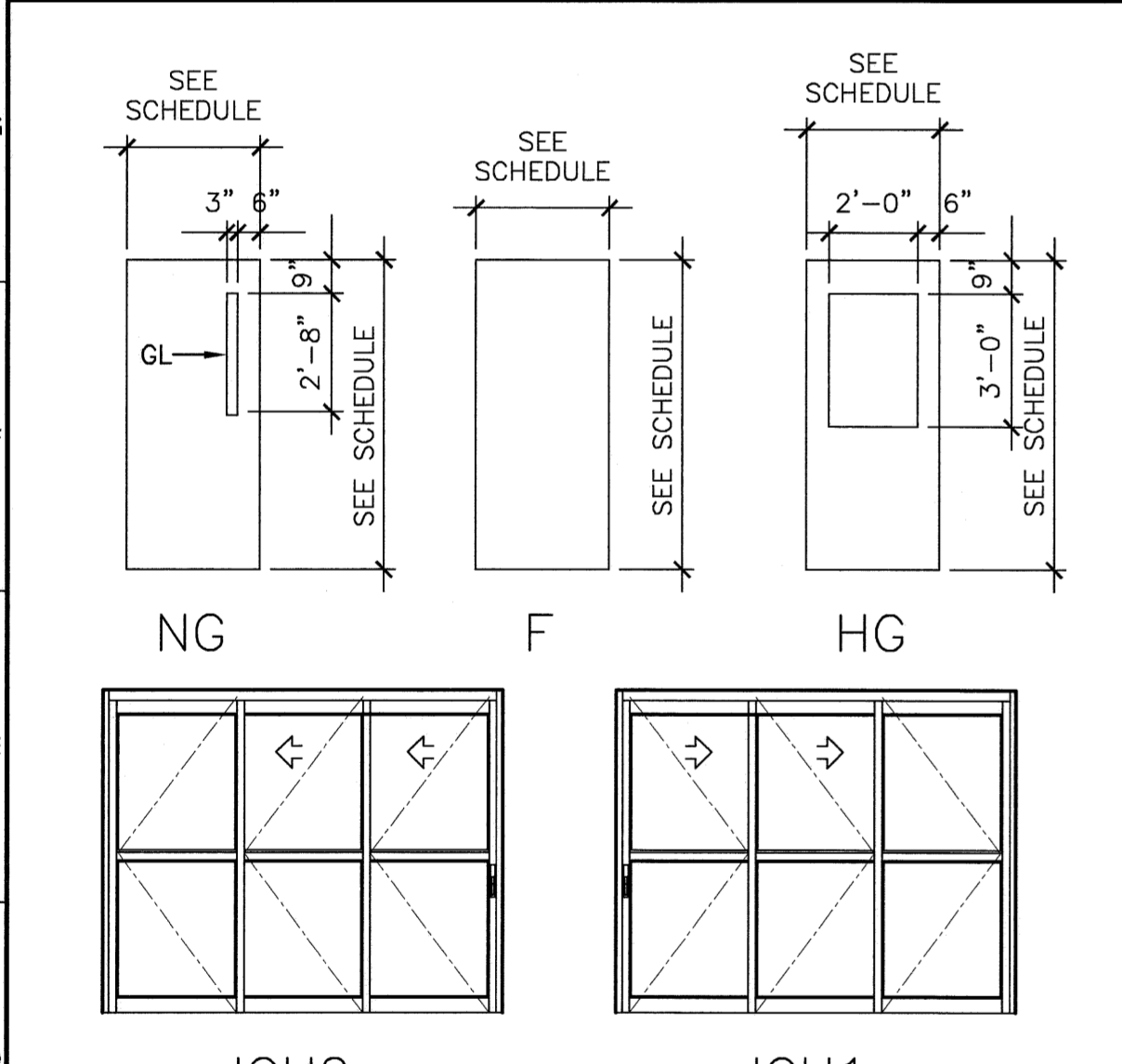
PLASTIC LAMINATE
 PLAM-1 PIONITE GREIGE #SG210, SUEDE

RUBBER FLOORING
 RUB-1 NORA RUBBER FLOORING, ROLL-SHEET, NORAPLAN ENVIRONCARE 3.0MM, COLOR: #2945 LACE VINE (FIELD)
 RUB-2 NORA RUBBER FLOORING, ROLL-SHEET, NORAPLAN ENVIRONCARE 3.0MM, COLOR: #2784 SILVER CROWN (ACCENT) *USE WELD ROD FROM THIS FLOOR COLOR WHERE RUB-1 & RUB-2 INTERSECT.

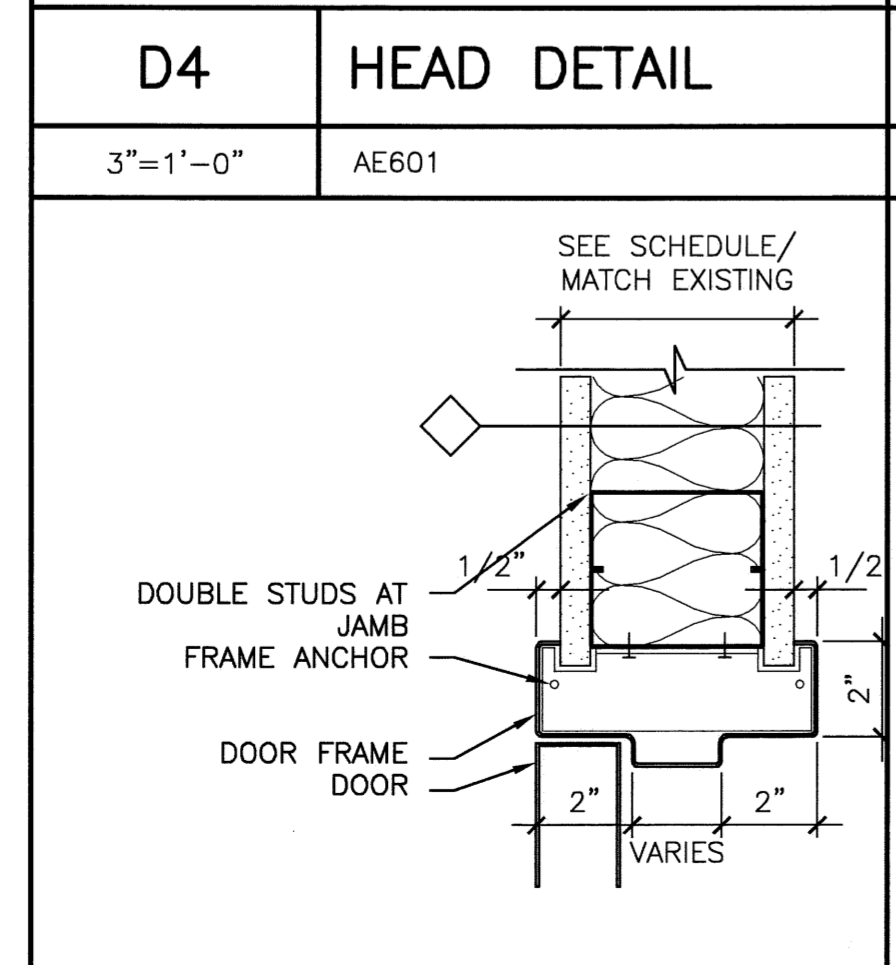
SOLID SURFACE
 SS-1 CORIAN, COLOR: BEIGE FIELDSTONE

VINYL COMPOSITION TILE
 VCT-1 ARMSTRONG, STANDARD EXCELON, IMPERIAL TEXTURE, COLOR: #51810 WASHED LINEN.

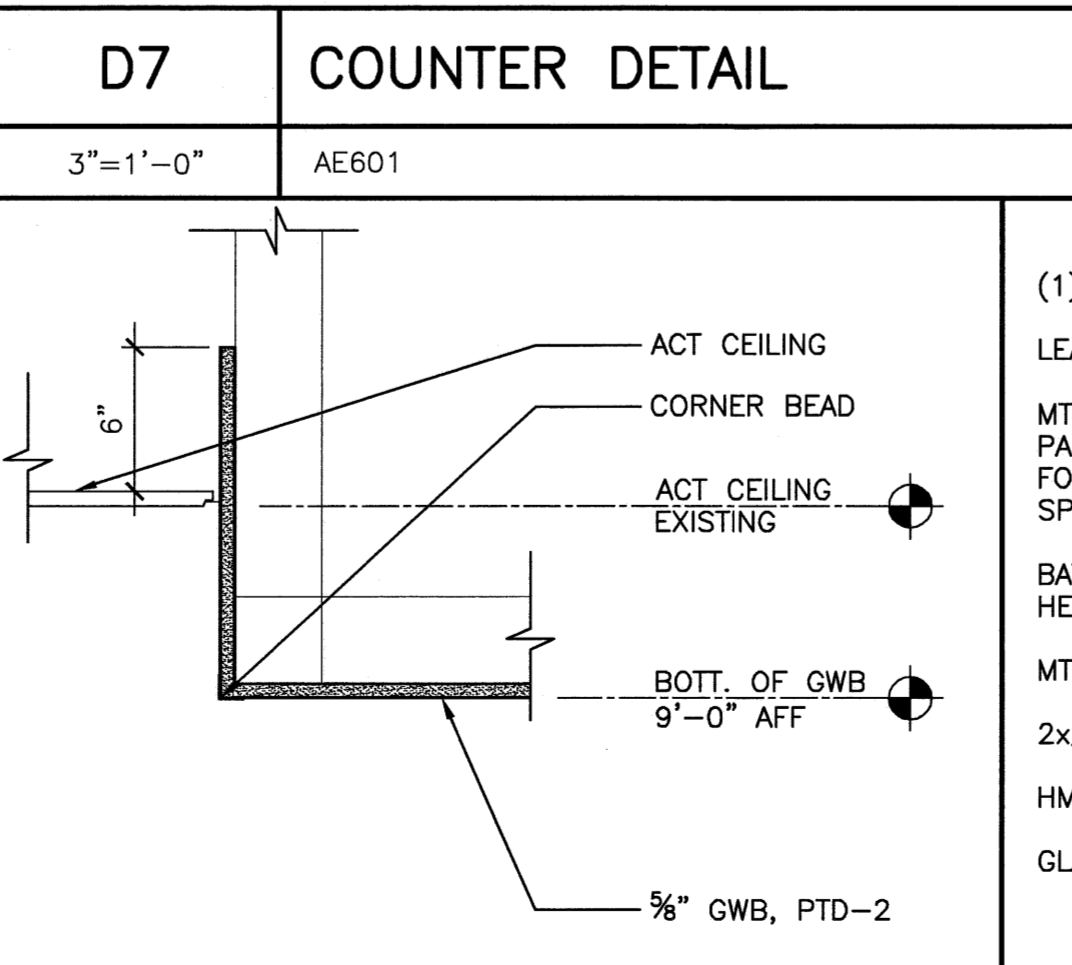
G1	ROOM FINISH SCHEDULE
1/4" = 1'-0"	*



A1	DOOR AND FRAME TYPES
1/4" = 1'-0"	AE601



A4	JAMB DETAIL
3" = 1'-0"	AE601



A7	SOFFIT DETAIL
1-1/2" = 1'-0"	A-102

HARDWARE SET:

S1: STORAGE FUNCTION (RATED): HINGES, ELECTROMAGNETIC HOLD OPEN, CLOSER, LOCKSET, ARMOR PLATE, WALL STOP
 S2: STORAGE FUNCTION (NON-RATED): HINGES, LOCKSET, WALL STOP
 E: EGRESS FUNCTION (RATED): HINGES, LOCKSET, WALL STOP, EXIT DEVICE, CLOSER
 OR: OR DOORS: HINGES, HOSPITAL LATCH, CLOSER(S), WALL STOP, FLUSH BOLTS AT INACTIVE LEAF
 O: OFFICE FUNCTION: HINGES, LOCKSET, STOP

1.1 HINGES
 A. BUTTS AND HINGES: BHMA A156.1.
 B. TEMPLATE HINGE DIMENSIONS: BHMA A156.7.
 C. AVAILABLE MANUFACTURERS:
 1. HAGER COMPANIES (HAG).
 2. MCKINNEY PRODUCTS COMPANY; AN ASSA ABLOY GROUP COMPANY (MCK).
 3. STANLEY COMMERCIAL HARDWARE; DIV. OF THE STANLEY WORKS (STH).

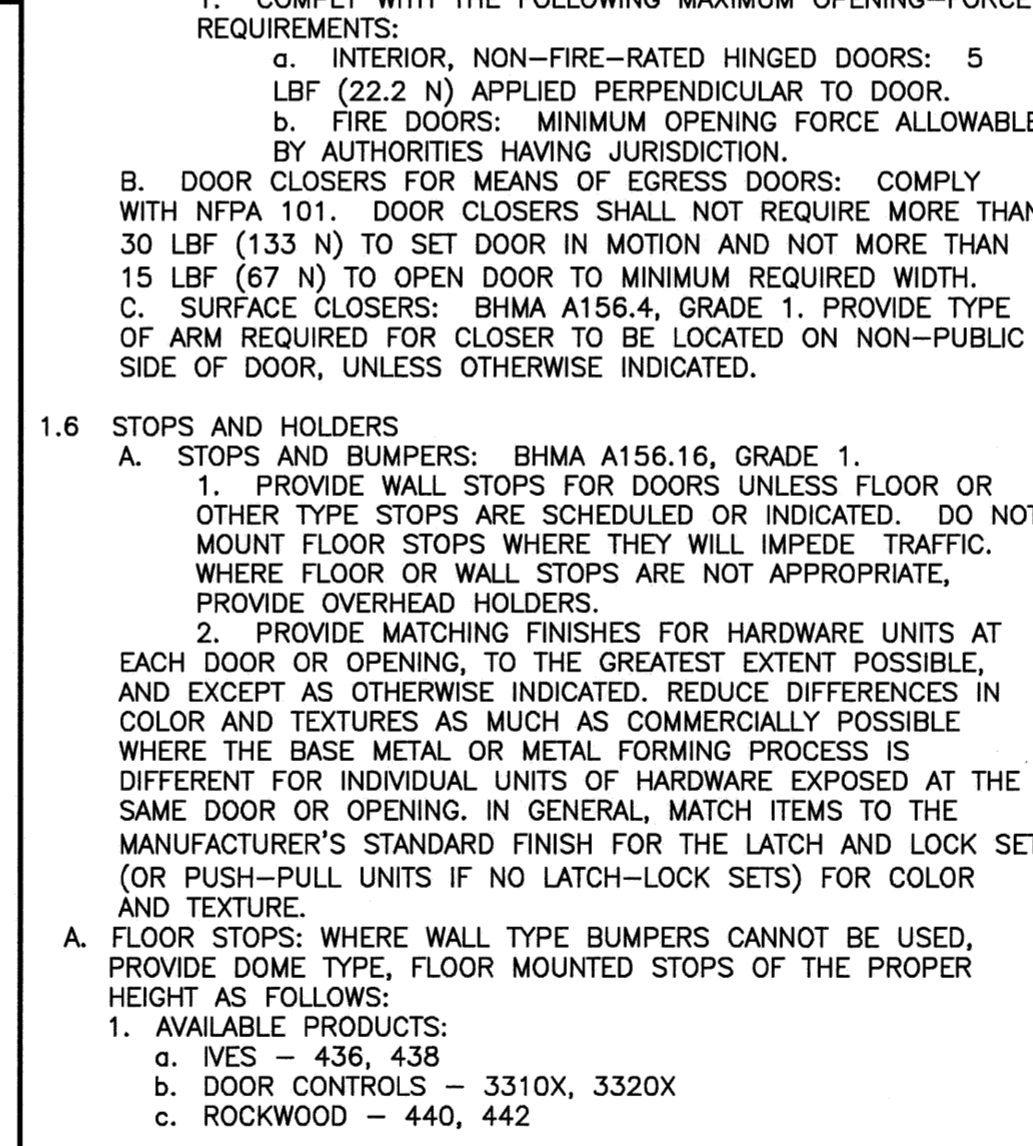
1.2 LOCKS AND LATCHES: LATCHES AND LOCKS FOR MEANS OF EGRESS DOORS: COMPLY WITH NFPA 101. LATCHES SHALL NOT REQUIRE MORE THAN 15 LBF (67 N) TO RELEASE THE LATCH. LOCKS SHALL NOT REQUIRE USE OF A KEY, TOOL, OR SPECIAL KNOWLEDGE FOR OPERATION.
 A. ELECTRIFIED LOCKING DEVICES: BHMA A156.25.
 B. BORED LOCKS: BHMA GRADE 1; SERIES 4000.

1.3 STRIKES: MANUFACTURER'S STANDARD STRIKE WITH STRIKE BOX FOR EACH LATCHBOLT OR LOCK BOLT, WITH CURVED LIP EXTENDED TO PROTECT FRAME, FINISHED TO MATCH DOOR HARDWARE SET, AND AS FOLLOWS:
 A. STRIKES FOR BORED LOCKS AND LATCHES: BHMA A156.2.
 B. STRIKES FOR AUXILIARY DEADLOCKS: BHMA A156.5.
 C. EXIT DEVICES: BHMA A156.3, GRADE 1.
 D. EXIT DEVICES FOR MEANS OF EGRESS DOORS: COMPLY WITH NFPA 101. EXIT DEVICES SHALL NOT REQUIRE MORE THAN 15 LBF (67 N) TO RELEASE THE LATCH. LOCKS SHALL NOT REQUIRE USE OF A KEY, TOOL, OR SPECIAL KNOWLEDGE FOR OPERATION.
 E. PANIC EXIT DEVICES: LISTED AND LABELED BY A TESTING AND INSPECTING AGENCY ACCEPTABLE TO AUTHORITIES HAVING JURISDICTION, FOR PANIC PROTECTION, BASED ON TESTING ACCORDING TO UL 305.
 F. FIRE EXIT DEVICES: DEVICES COMPLYING WITH NFPA 80 THAT ARE LISTED AND LABELED BY A TESTING AND INSPECTING AGENCY ACCEPTABLE TO AUTHORITIES HAVING JURISDICTION, FOR FIRE AND PANIC PROTECTION, BASED ON TESTING ACCORDING TO UL 305 AND NFPA 252.

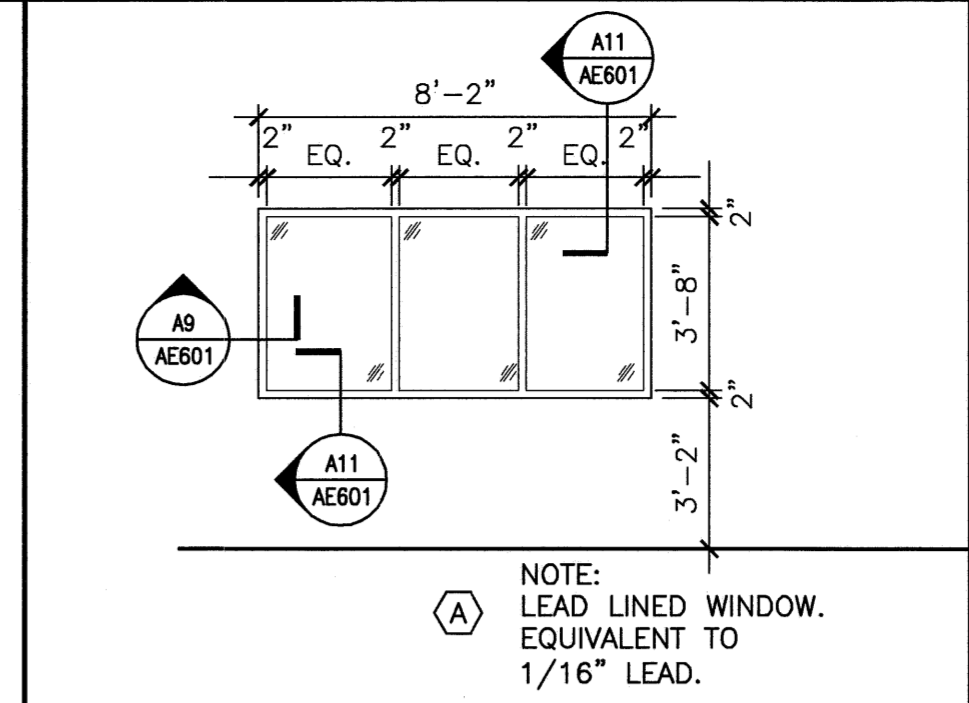
1.4 EXIT DEVICES:
 A. MANUFACTURERS: SUBJECT TO COMPLIANCE WITH REQUIREMENTS, PROVIDE PRODUCTS BY ONE OF THE FOLLOWING:
 1. VON DUPRIN; AN INGERSOLL-RAND COMPANY (VD)
 B. PRODUCTS: ALL EXIT DEVICES FOR THIS PROJECT SHALL BE ONE OF THE FOLLOWING:
 1. 94 IMPACT SERIES BY VON DUPRIN DIVISION.
 2. 98 SERIES BY VON DUPRIN DIVISION.
 C. EXIT DEVICES: BHMA A156.3, GRADE 1.
 D. EXIT DEVICES FOR MEANS OF EGRESS DOORS: COMPLY WITH NFPA 101. EXIT DEVICES SHALL NOT REQUIRE MORE THAN 15 LBF (67 N) TO RELEASE THE LATCH. LOCKS SHALL NOT REQUIRE USE OF A KEY, TOOL, OR SPECIAL KNOWLEDGE FOR OPERATION.
 E. PANIC EXIT DEVICES: LISTED AND LABELED BY A TESTING AND INSPECTING AGENCY ACCEPTABLE TO AUTHORITIES HAVING JURISDICTION, FOR PANIC PROTECTION, BASED ON TESTING ACCORDING TO UL 305.
 F. FIRE EXIT DEVICES: DEVICES COMPLYING WITH NFPA 80 THAT ARE LISTED AND LABELED BY A TESTING AND INSPECTING AGENCY ACCEPTABLE TO AUTHORITIES HAVING JURISDICTION, FOR FIRE AND PANIC PROTECTION, BASED ON TESTING ACCORDING TO UL 305 AND NFPA 252.

1.5 CLOSERS
 A. ACCESSIBILITY REQUIREMENTS: WHERE HANDLES, PULLS, LATCHES, LOCKS, AND OTHER OPERATING DEVICES ARE INDICATED TO COMPLY WITH ACCESSIBILITY REQUIREMENTS, COMPLY WITH THE U.S. ARCHITECTURE & TRANSPORTATION BARRIERS COMPLIANCE BOARD'S "AMERICANS WITH DISABILITIES ACT (ADA), ACCESSIBILITY GUIDELINES FOR BUILDINGS AND FACILITIES (ADAAG)."
 1. COMPLY WITH THE FOLLOWING MAXIMUM OPENING-FORCE REQUIREMENTS:
 a. INTERIOR, NON-FIRE-RATED HINGED DOORS: 5 LBF (22.2 N) APPLIED PERPENDICULAR TO DOOR.
 b. FIRE DOORS: MINIMUM OPENING FORCE ALLOWABLE BY AUTHORITIES HAVING JURISDICTION.
 B. DOOR CLOSERS FOR MEANS OF EGRESS DOORS: COMPLY WITH NFPA 101. DOOR CLOSERS SHALL NOT REQUIRE MORE THAN 30 LBF (133 N) TO SET DOOR IN MOTION AND NOT MORE THAN 15 LBF (67 N) TO OPEN DOOR TO MINIMUM REQUIRED WIDTH.
 C. SURFACE CLOSERS: BHMA A156.4, GRADE 1. PROVIDE TYPE OF ARM REQUIRED FOR CLOSER TO BE LOCATED ON NON-PUBLIC SIDE OF DOOR, UNLESS OTHERWISE INDICATED.

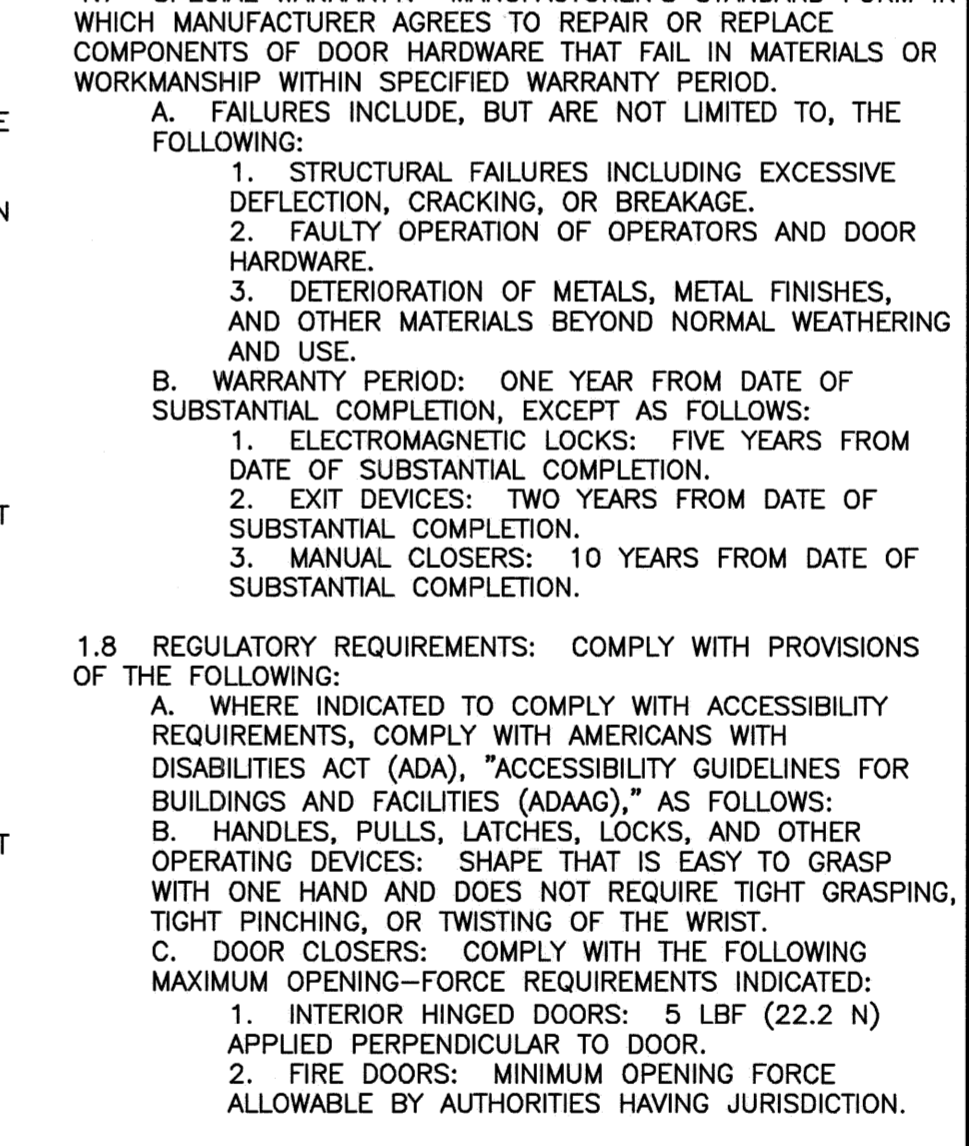
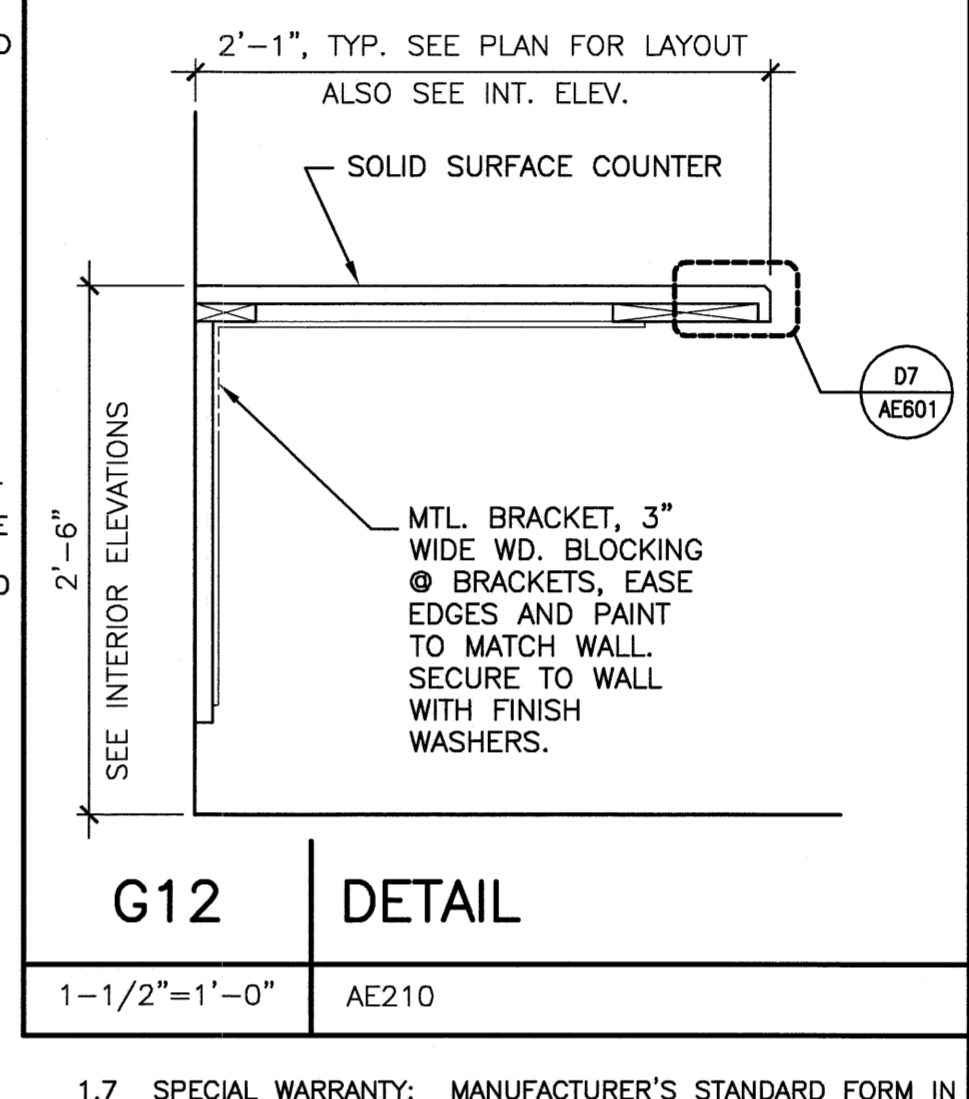
1.6 STOPS AND HOLDERS
 A. STOPS AND BUMPERS: BHMA A156.16, GRADE 1.
 1. PROVIDE WALL STOPS FOR DOORS UNLESS FLOOR OR OTHER TYPE STOPS ARE SCHEDULED OR INDICATED. DO NOT MOUNT FLOOR STOPS WHERE THEY WILL IMPEDE TRAFFIC, WHERE FLOOR OR WALL STOPS ARE NOT APPROPRIATE, PROVIDE OVERHEAD HOLDERS.
 2. PROVIDE MATCHING FINISHES FOR HARDWARE UNITS AT EACH DOOR OR OPENING, TO THE GREATEST EXTENT POSSIBLE, AND EXCEPT AS OTHERWISE INDICATED, REDUCE DIFFERENCES IN COLOR AND TEXTURES AS MUCH AS COMMERCIALLY POSSIBLE WHERE THE BASE METAL OR METAL FORMING PROCESS IS DIFFERENT FOR INDIVIDUAL UNITS OF HARDWARE EXPOSED AT THE SAME DOOR OR OPENING. IN GENERAL, MATCH ITEMS TO THE MANUFACTURER'S STANDARD FINISH FOR THE LATCH AND LOCK SET AND TEXTURE.
 B. FLOOR STOPS: WHERE WALL TYPE BUMPERS CANNOT BE USED, PROVIDE DOME TYPE, FLOOR MOUNTED STOPS OF THE PROPER HEIGHT AS FOLLOWS:
 1. AVAILABLE PRODUCTS:
 a. IVES - 436, 438
 b. DOOR CONTROLS - 3310X, 3320X
 c. ROCKWOOD - 440, 442



D4	HEAD DETAIL	D7	COUNTER DETAIL	D9	HARDWARE SPECS
3" = 1'-0"	AE601	3" = 1'-0"	AE601	-	AE601



L12	BORROWED LITE
1/4" = 1'-0"	AE101



G12	DETAIL
1-1/2" = 1'-0"	AE210

DOOR NOTES

- REFER TO SPECIFICATIONS FOR DOOR HARDWARE SETS
- ALL SWINGING DOORS TO BE 1-3/4" THICK (U.N.O.).
- ALL DOORS SHALL BE 3/4" UNDERCUT (TYPICAL) EXCEPT WHEN THERE IS A BOTTOM FRAME OR SILL THRESHOLD OR SPECIFICALLY NOTED OTHERWISE.
- ALL DOORS WITH BOTTOM FRAMES OR SILL THRESHOLDS SHALL HAVE MANUFACTURERS RECOMMENDED STANDARD UNDERCUT.
- GLAZING NOTED ON DOOR SCHEDULE IS FOR THE DOOR AND SIDELIGHTS IN THE FRAME (TYPICAL).
- GLAZING STOPS ON CORRIDOR BORROWED LIGHTS SHALL BE LOCATED OPPOSITE THE CORRIDOR SIDE FRAME, BUT JOINT ALL GLAZING STOPS TIGHT TO FRAME FOR A CLEAN, FINISHED APPEARANCE.
- GLAZING TO BE FREE OF STAMPS, MARKING, ETC. UNLESS REQUIRED BY CODE TO IDENTIFY A SPECIFIC RATING THAT IS REQUIRED
- SEE AE601 FOR DOOR AND FRAME ELEVATIONS.

DOOR ABBREVIATIONS

AL/ALUM	ALUMINUM
F	FLUSH
FG	FULL GLASS
HG	HALF GLASS
HM	HOLLOW METAL
NG	NARROW GLASS
TEMP	TEMPERED GLASS
WD	SOLID CORE WOOD DOOR (MATCH EXISTING)
WG	WIRE GLASS

FINISH ABBREVIATIONS:

ACT	ACOUSTICAL CEILING TILE
CG	CORNER GUARD
CR	CHAIR RAIL
FC	FLASH COVE
GWB	GYPSPUM WALLBOARD
PWC	PROTECTIVE WALL COVERING
PLAM	PLASTIC LAMINATE
PTD	PAINTED
RB	RUBBER BASE
ROP	REFLECTED CEILING PLAN
SS	SOLID SURFACE
VCT	VINYL COMPOSITION TILE
WD	WOOD

GENERAL FINISH NOTES:

- MATERIALS IN FINISH LEGEND ARE FROM MAINE MEDICAL CENTER'S INTERIOR FINISH STANDARDS, SUBSTITUTIONS WILL NOT BE ACCEPTED.
- REFER TO RCP FOR SOFFIT HEIGHTS. ALL SOFFITS TO BE PTD-1, UNLESS NOTED OTHERWISE.
- SEE THIS SHEET FOR FINISH ABBREVIATIONS, LEGEND AND KEY NOTES.
- SEE SPECIFICATIONS FOR ACT TYPES.
- DOOR AND WINDOW FRAMES TO BE PTD-2, UNLESS NOTED OTHERWISE.
- ALL WALLS TO BE PTD-1, UNLESS NOTED OTHERWISE.
- ALL GYP CEILINGS TO BE PTD-1, UNLESS NOTED OTHERWISE.
- INTEGRAL BASE COLOR SHALL BE SYNONYMOUS WITH FLOOR COLOR AT THAT POINT, UNLESS NOTED OTHERWISE.
- PAINT: PROVIDE A PREMIUM 3 COAT LATEX SYSTEM WITH EPOXY PAINTS AT SOILED AND HOUSEKEEPING AREAS. PAINT SHALL BE LOW ODOR AND VOC COMPLIANT.

144 Fore Street P.O. Box 618
 Portland, Maine 04104
 Tel: (207) 772-3846
 Fax: (207) 772-1070
 www.maine.com

ARCHITECTURE
 ENGINEERING
 PLANNING
 INTERIOR DESIGN
 COMMISSIONING

SMRT

LICENSED ARCHITECT
 CRAIG DAVID
 PIPER
 No. 2692

MAINE MEDICAL CENTER
 ENDOSCOPY & VASCULAR DEPT. RENOVATION
 PORTLAND, ME

ISSUED FOR CONSTRUCTION
 2-24-09

CURRENT ISSUE STATUS:

REV	DESCRIPTION	DATE
0	ISSUED FOR CONSTRUCTION	2-24-09

GRAPHIC SCALE:
 0" 1"

SCALE: AS NOTED

PROJECT MANAGER: DIV
 JC/DRAWN BY: DIV
 A/E OF RECORD: CDP
 CAD FILE: AE601-05169
 PROJECT NO: 05169
 DATE: 05169

SHEET TITLE:
 SCHEDULES AND DETAILS

SHEET No.
AE601