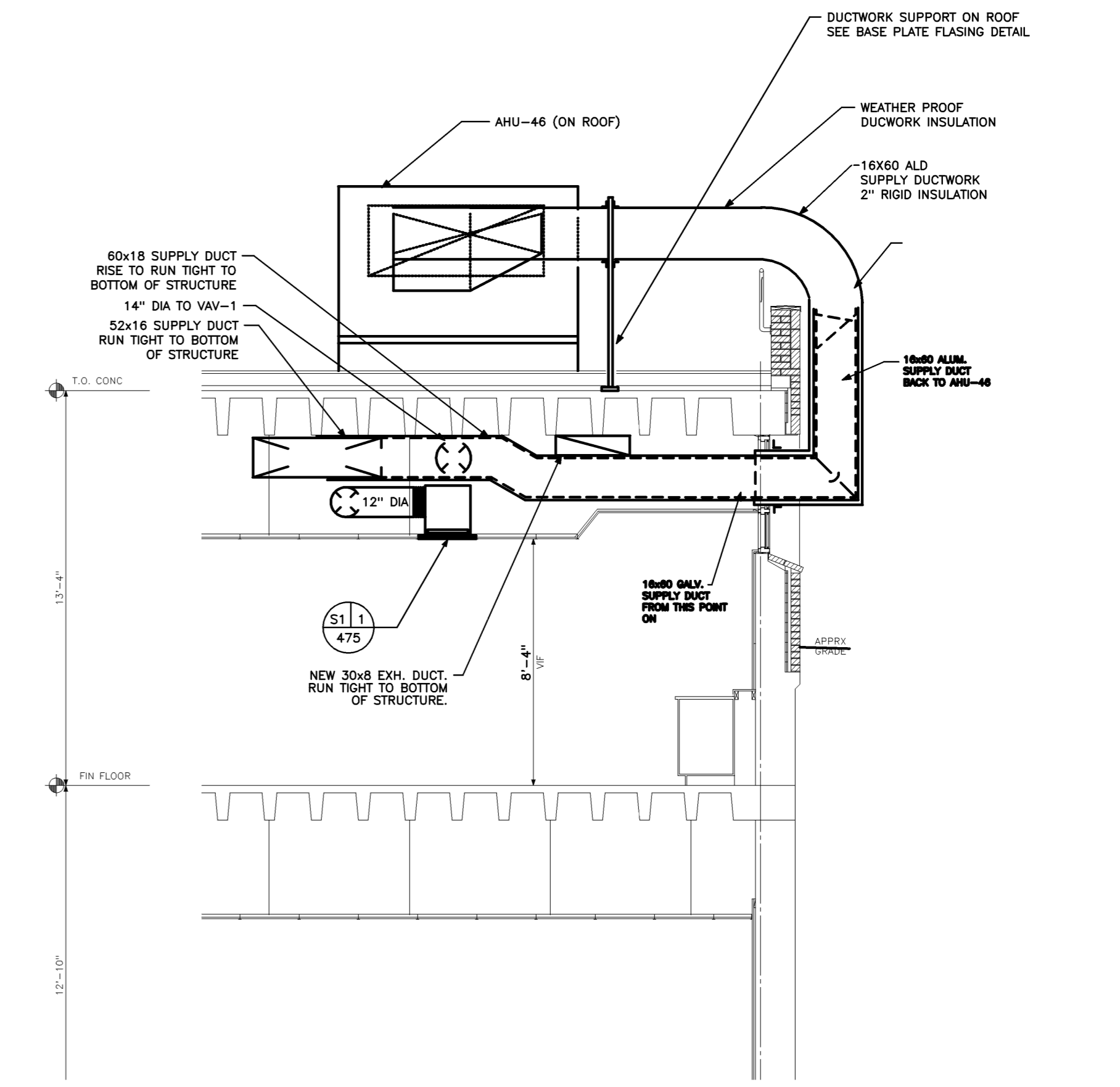


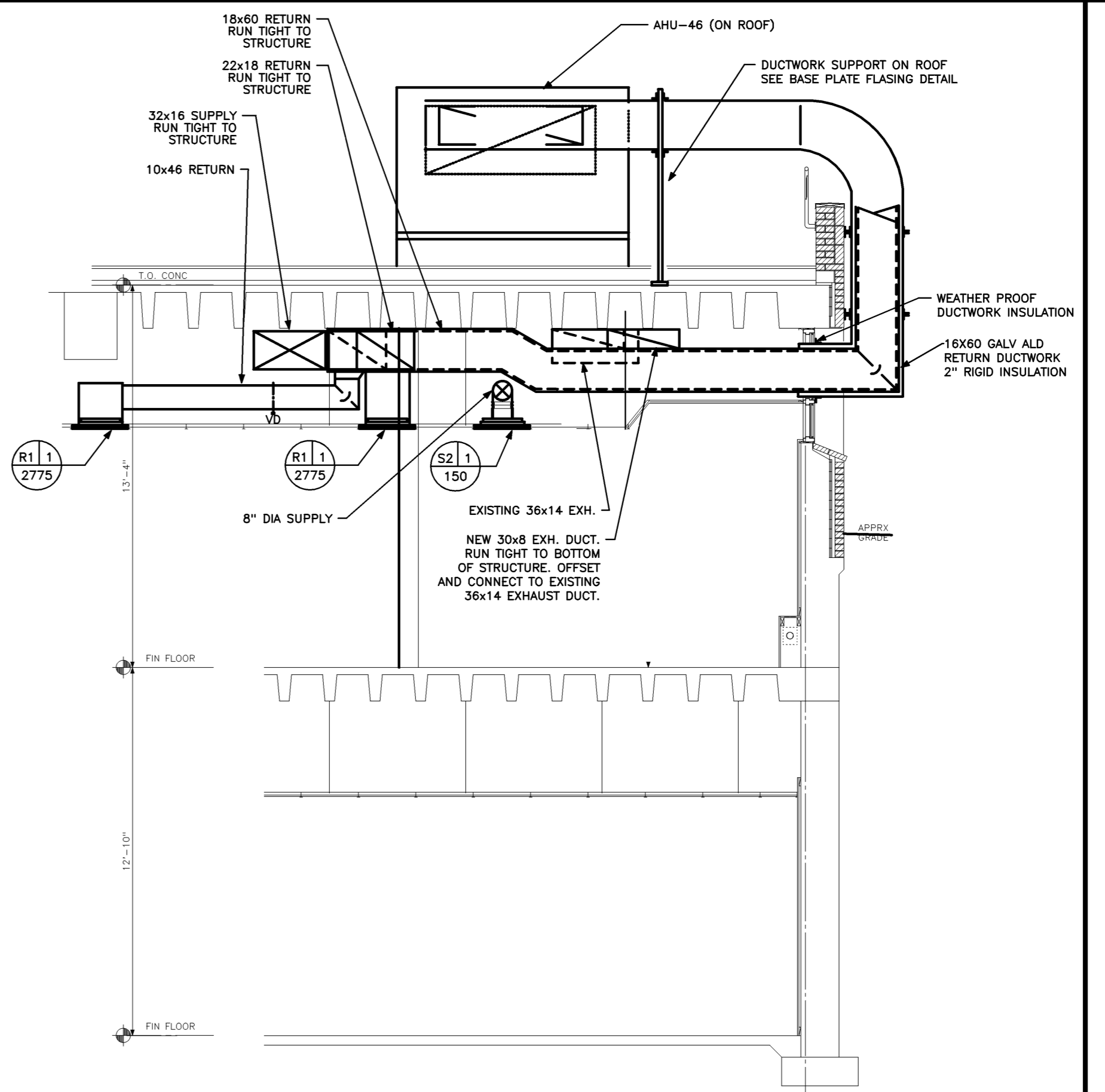
PIPING SECTION
 1/4" = 1'-0" REF: NA

B2



SECTION AT SUPPLY DUCT
 1/4" = 1'-0" REF: NA

B1



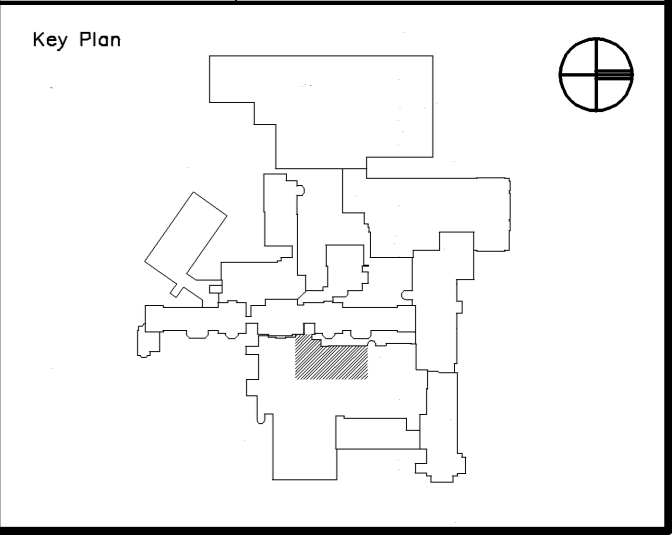
SECTION AT RETURN DUCT
 1/4" = 1'-0" REF: NA

A1

HARRIMAN
 Architects + Engineers
 One Auburn Business Park
 Auburn, Maine 04210
 207.784.5100 tel
 207.784.3017 fax
 66 Pearl St., Suite 301
 Portland, Maine 04101
 207.775.0053 tel
 207.775.0460 fax
 www.harriman.com
 © 2008

Project Title
MAINE MEDICAL CENTER HVAC LAB RENOVATIONS
 PORTLAND, MAINE

HA Project No. **08101**



| Mark | Date | Description |
|------|----------|----------------------|
| - | 10-31-08 | ISSUED FOR BID |
| - | 10-20-08 | FOR INFORMATION ONLY |
| - | 10-10-08 | 75% REVIEW |

Issue Dates

Drawing Status

Drawing Title
MECHANICAL SECTIONS

PA / PE: **CG** Drawn By: **MED**

Drawing Number

M31.1