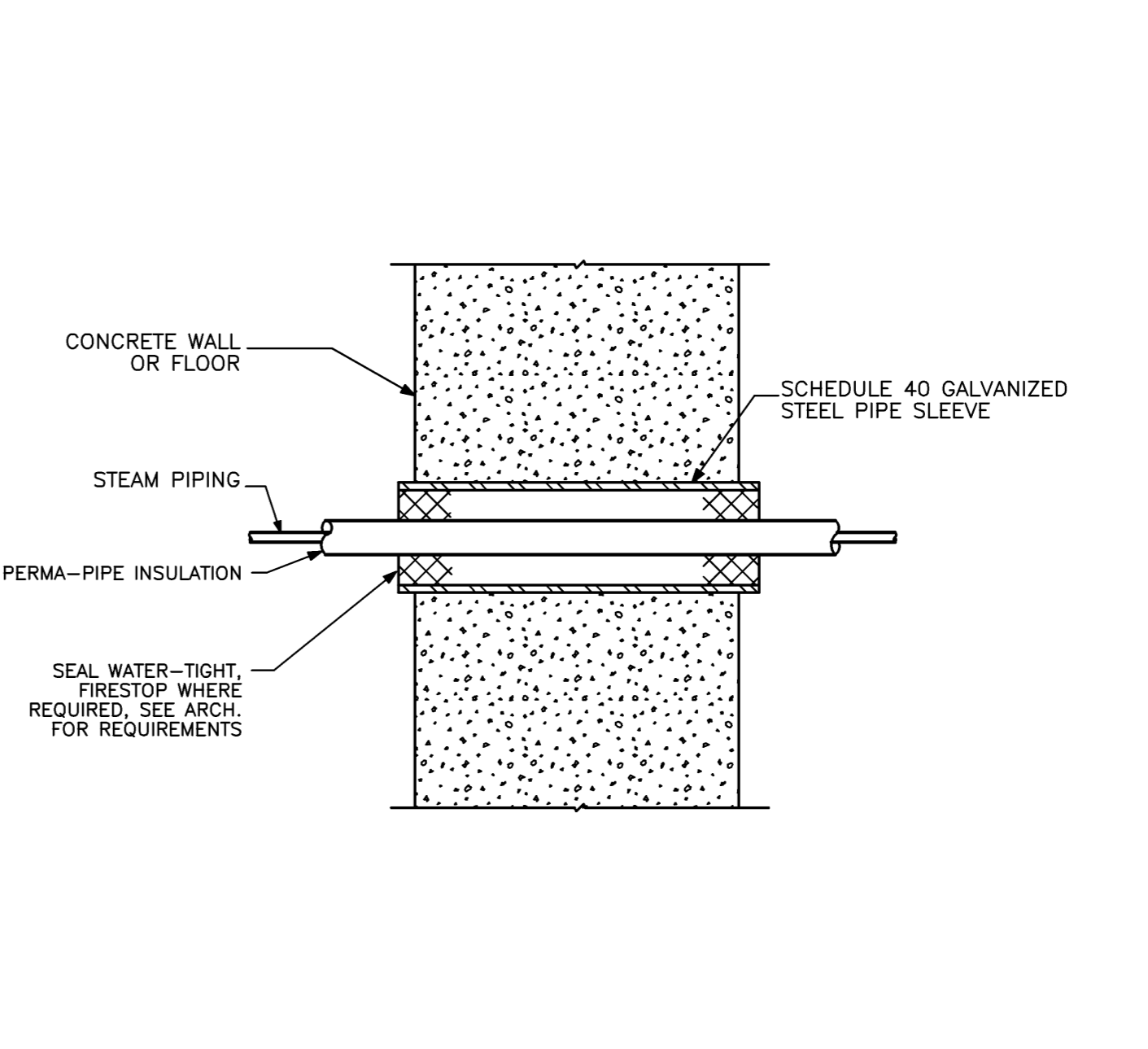
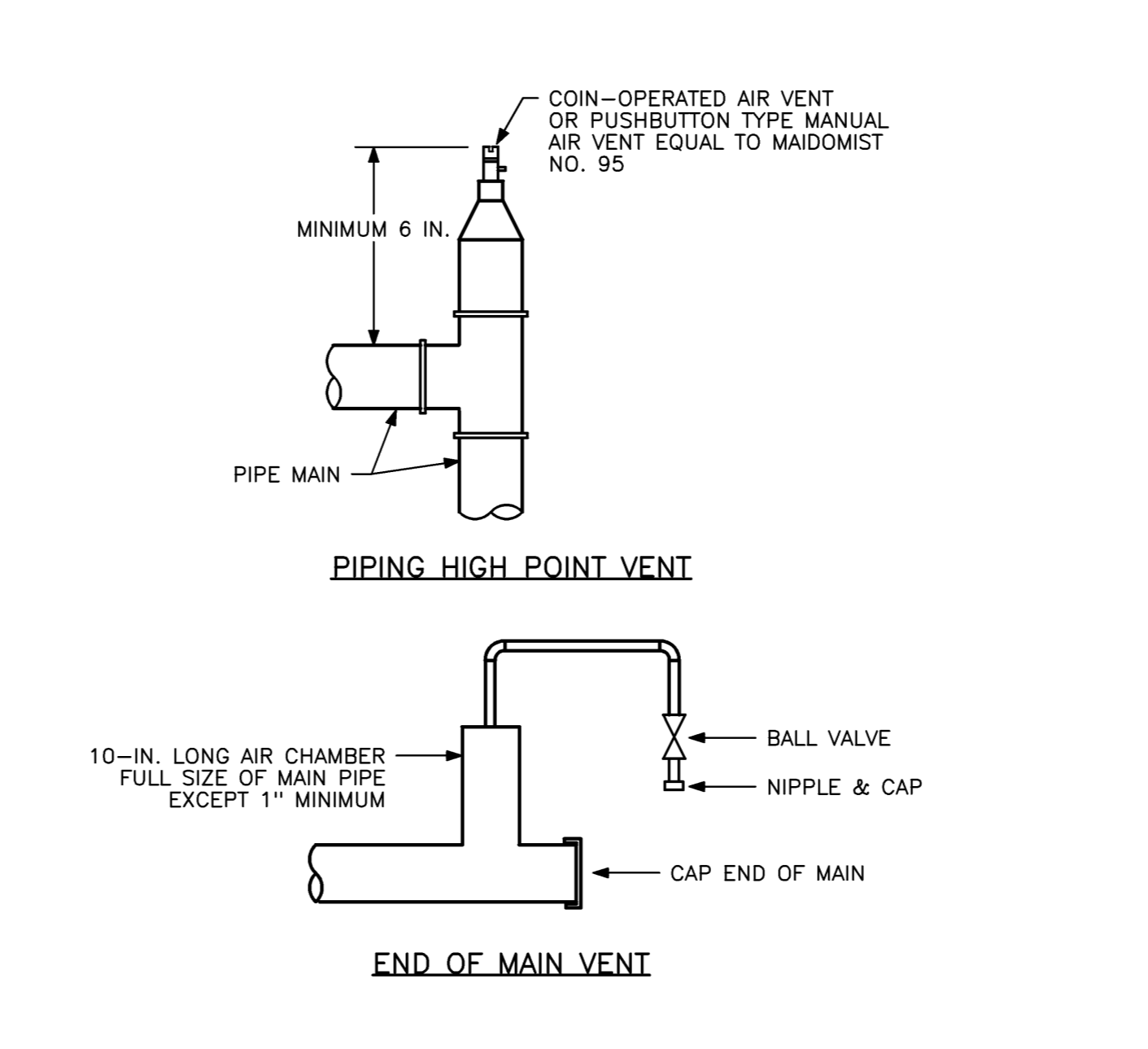


CHWS & CHWR ROOF PIPE SUPPORT DETAIL
NO SCALE REF: NA **B4**

PIPE SUPPORT DETAIL
NO SCALE REF: NA **B3**

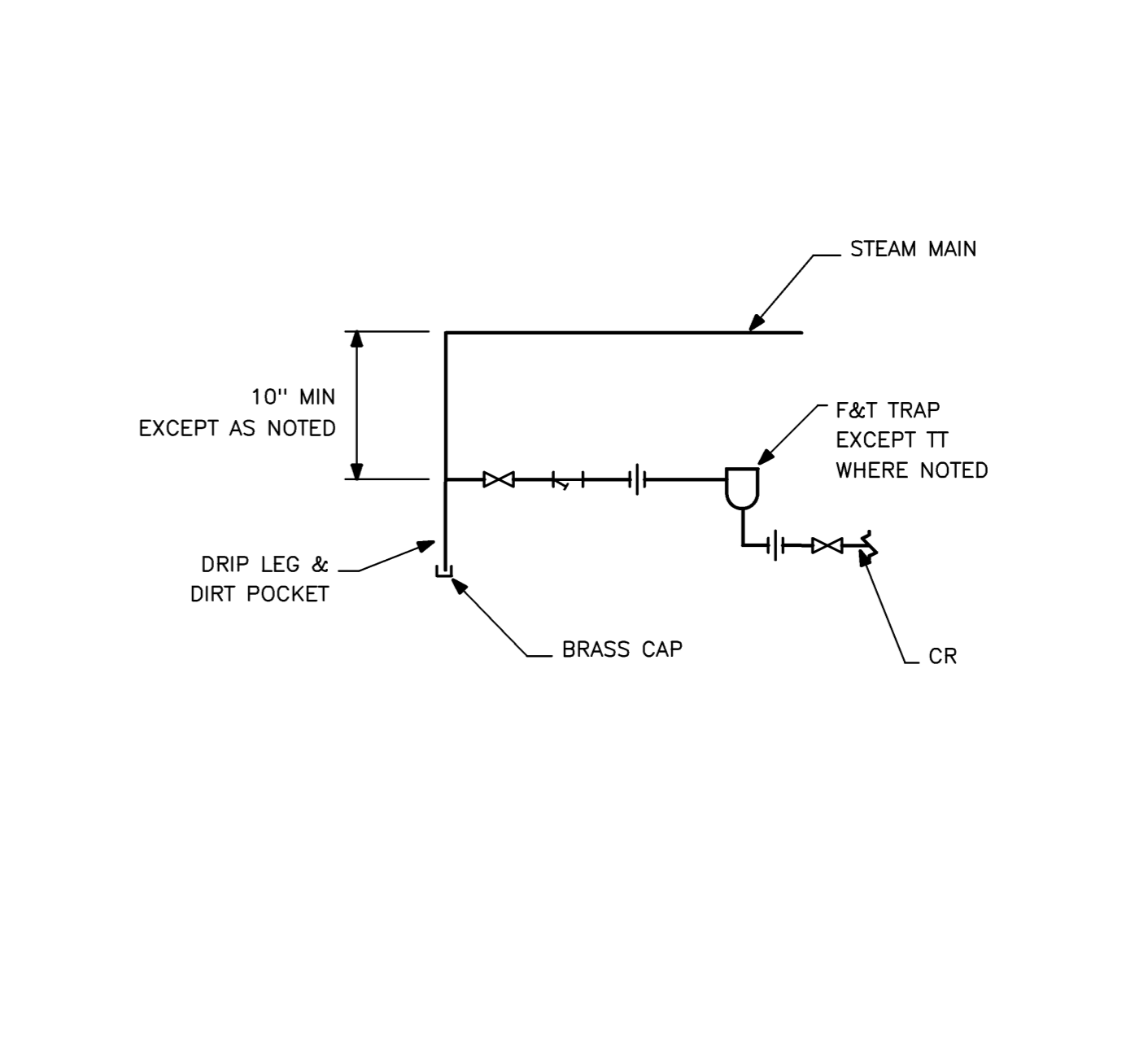
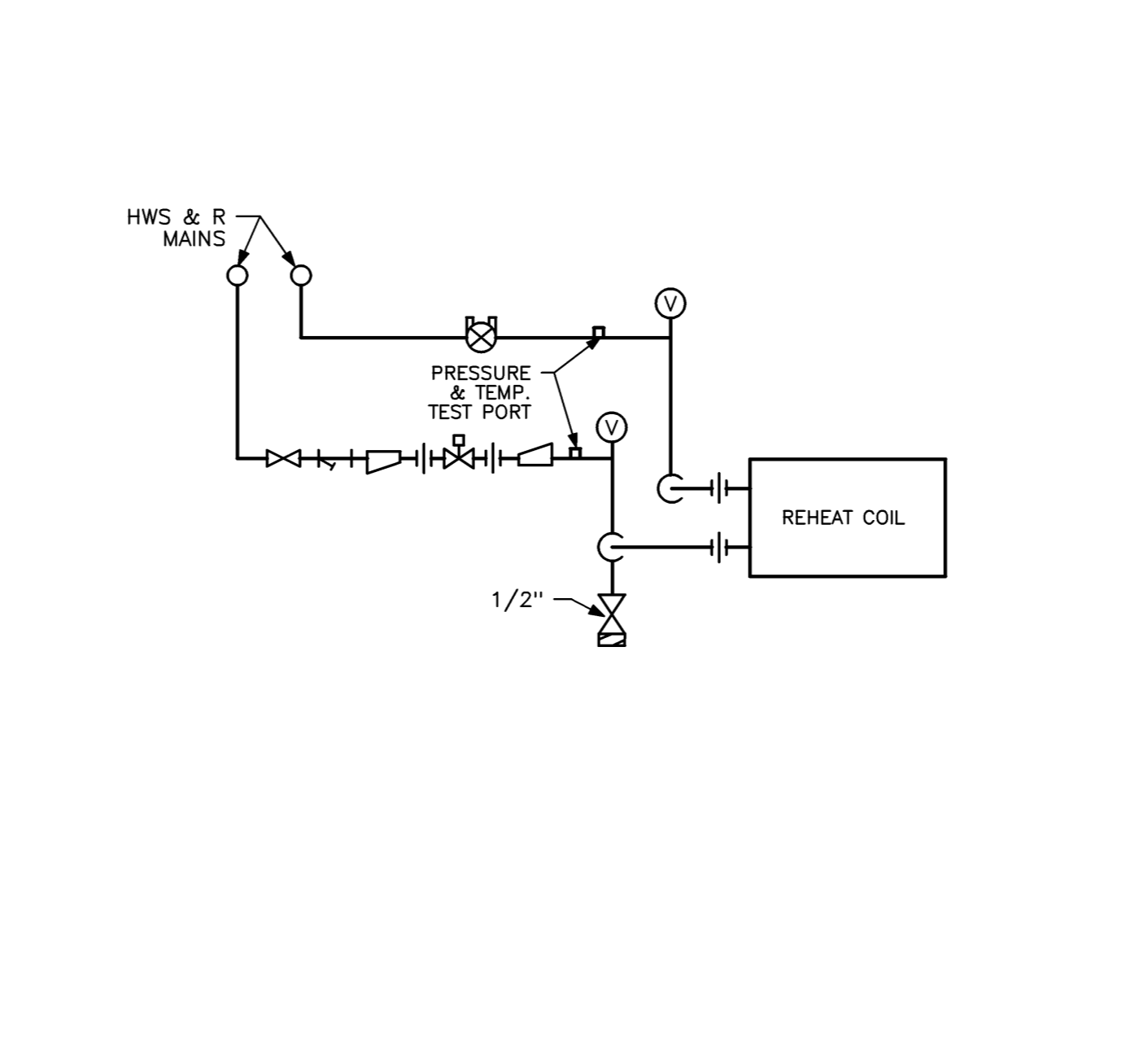
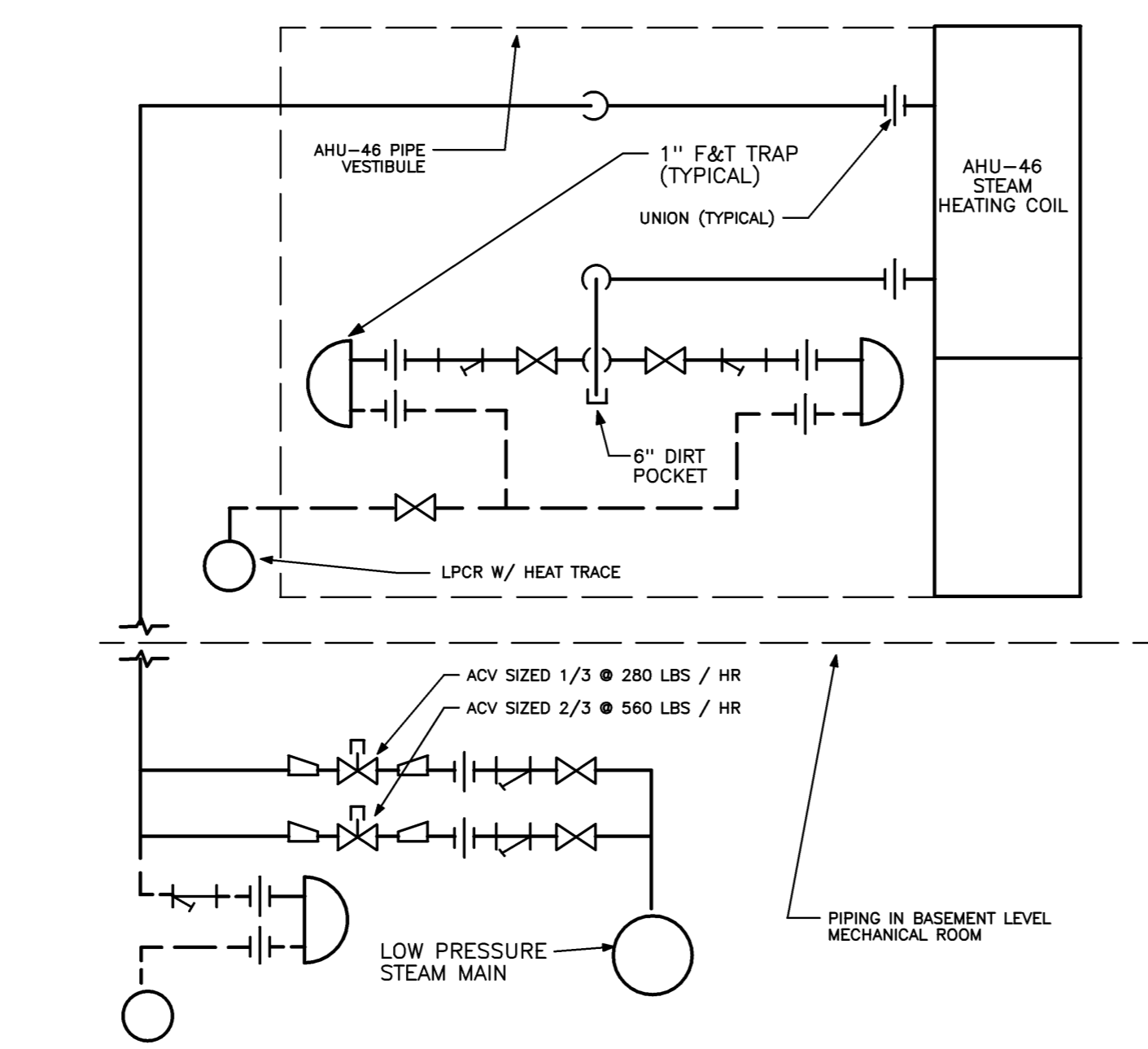
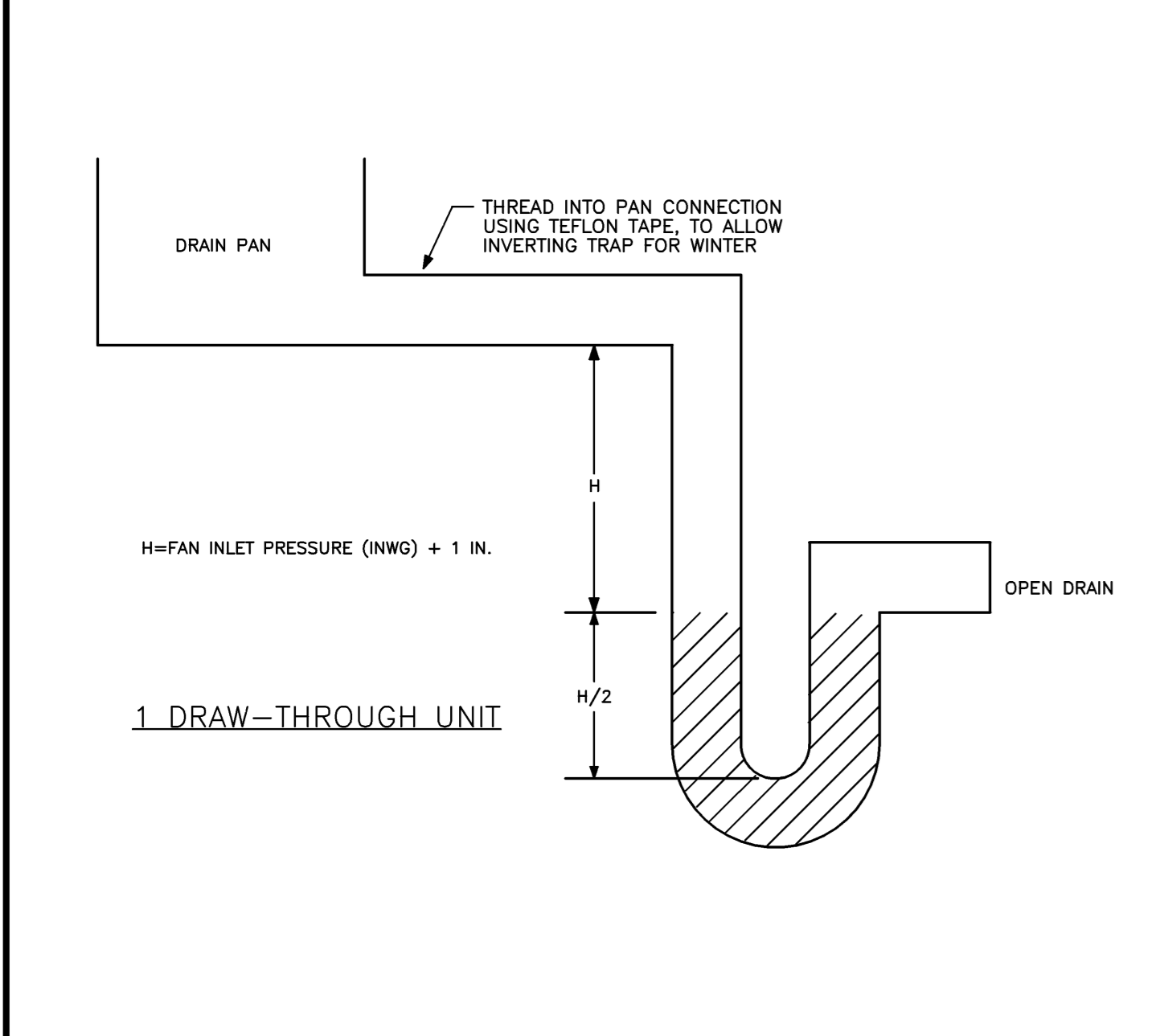
AHU-46 HUMIDIFIER DETAIL
NO SCALE REF: NA **C2**

CHILLED WATER COIL DETAIL AT AHU
NO SCALE REF: NA **C1**



MANUAL AIR VENT DETAILS
NO SCALE REF: NA **B2**

TYPICAL WALL OR FLOOR SLEEVE DETAIL
NO SCALE REF: NA **B1**



CONDENSATE DRAIN DETAIL AT AHU
NO SCALE REF: NA **A4**

STEAM COIL DETAIL AT AHU
NO SCALE REF: NA **A3**

HOT WATER REHEAT COIL PIPING DETAIL
NO SCALE REF: NA **A2**

TYPICAL END OF MAIN DRIP DETAIL
NO SCALE REF: NA **A1**

Mark	Date	Description
-	10-31-08	ISSUED FOR BID
-	10-20-08	FOR INFORMATION ONLY
-	10-10-08	75% REVIEW

Issue Dates