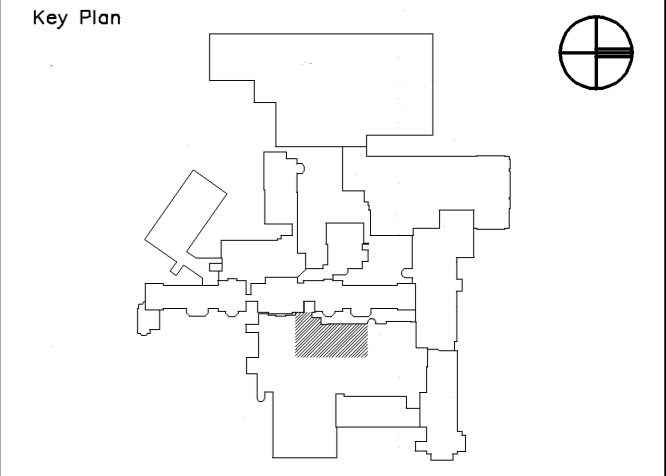


Project Title
MAINE MEDICAL CENTER HVAC LAB RENOVATIONS
PORTLAND, MAINE

HA Project No. **08101**



PHASING NOTES

- ① WORK TO BE PERFORMED AS PART OF PHASE 1
- ② WORK TO BE PERFORMED AS PART OF PHASE 2
- ③ WORK TO BE PERFORMED AS PART OF PHASE 3
- ④ WORK TO BE PERFORMED AS PART OF PHASE 4
- ⑤ WORK TO BE PERFORMED AS PART OF PHASE 5
- ⑥ WORK TO BE PERFORMED AS PART OF PHASE 6

Issue Dates	Mark	Date	Description
	-	10-31-08	ISSUED FOR BID
	-	10-20-08	FOR INFORMATION ONLY
	-	10-10-08	75% REVIEW

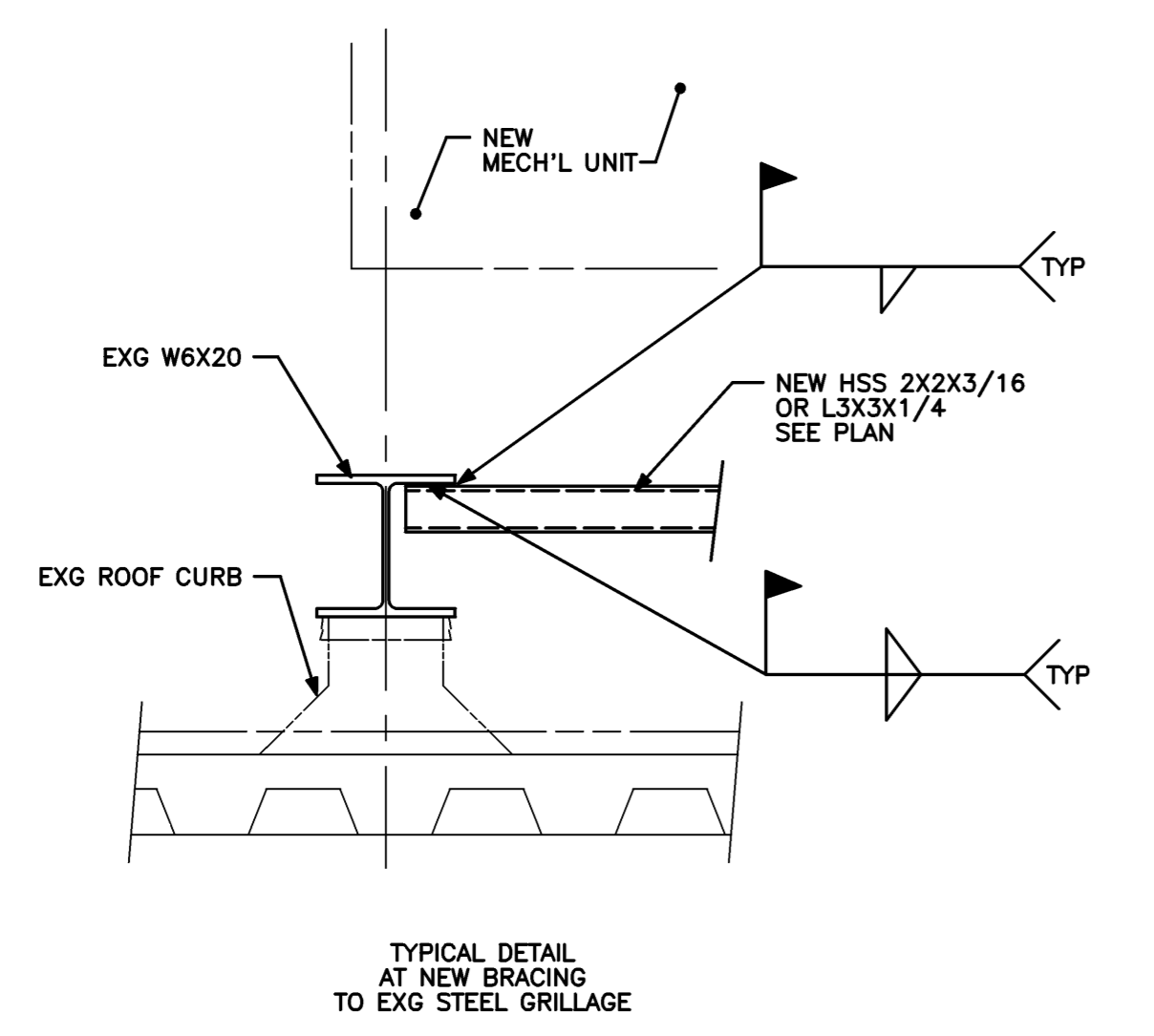
Drawing Status

Drawing Title
MECHANICAL ROOF PLAN

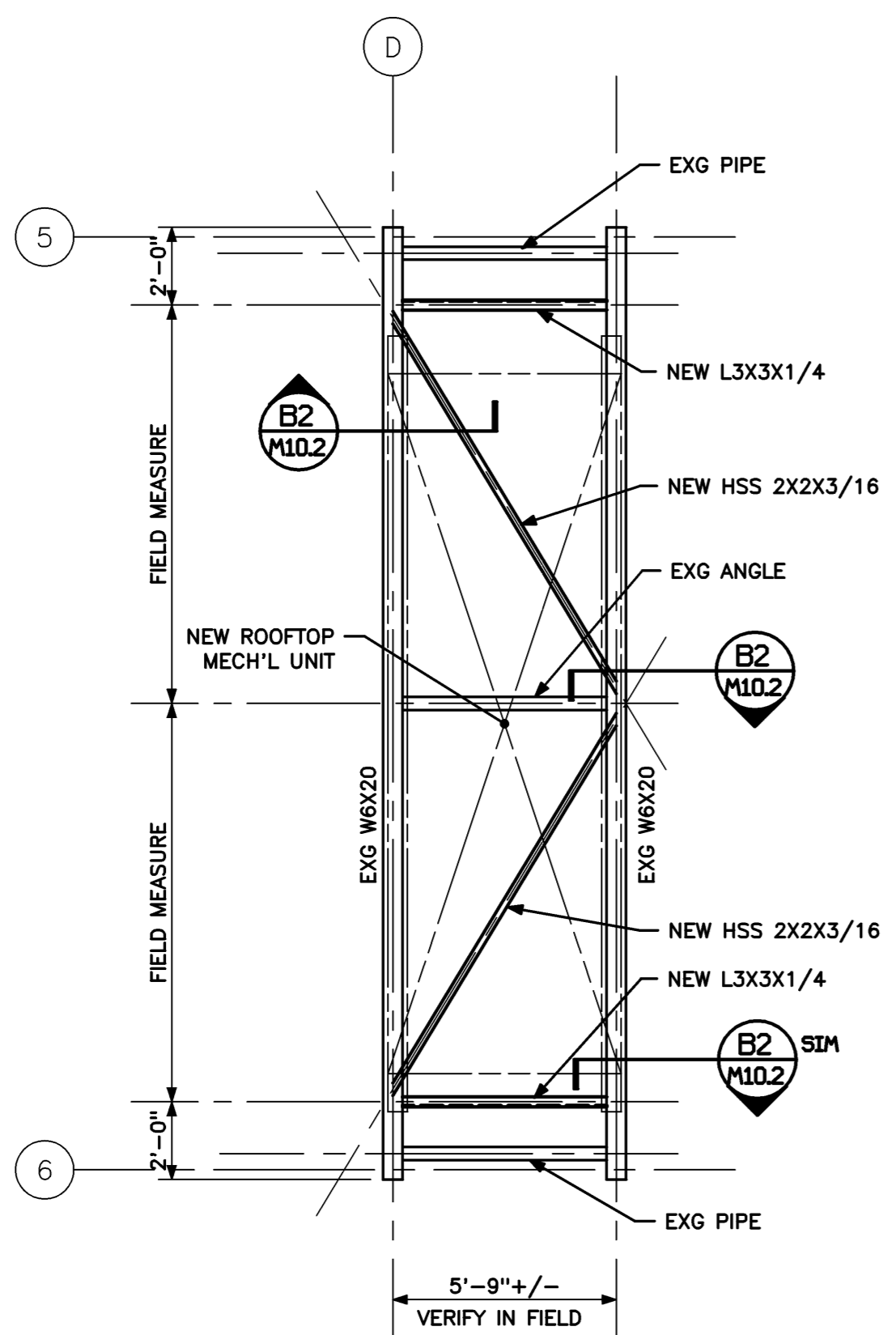
PA / PE: **CG** Drawn By: **MED**

Drawing Number

M10.2

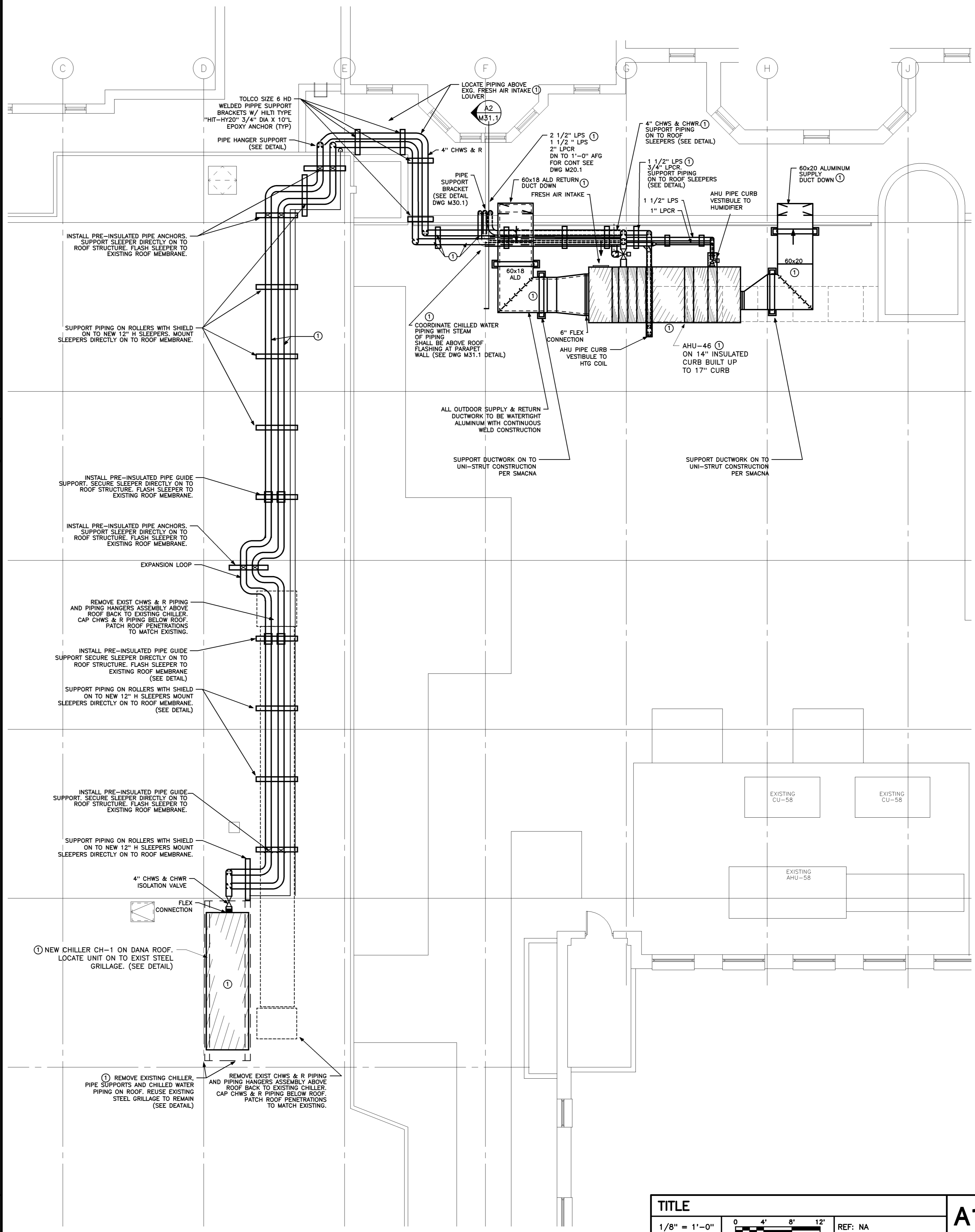


SECTION
1 1/2" = 1'-0" REF: M10.2 **B2**



- RENOVATION OF EXISTING GRILLAGE NOTES:
1. REMOVE EXISTING CHILLER AND BASE ISOLATORS.
 2. REMOVE ALL LOOSE RUST, SCALE, AND LOOSE PAINT FROM EXPOSED SURFACES OF EXISTING STRUCTURAL STEEL. PREPARE PER SSPC-SP3 SPEC.
 3. INSTALL NEW GALVANIZED STEEL BRACING TO EXISTING STEEL. SEE PLAN.
 4. PAINT EXISTING STEEL WITH COLD GALVANIZING COMPOUND. TOUCH UP GALVANIZED STEEL AS NECESSARY.
 5. INSTALL NEW CHILLER UNIT ON EXISTING STEEL.

GRILLAGE FRAMING PLAN
1/4" = 1'-0" REF: M10.2 **A2**



TITLE
1/8" = 1'-0" REF: NA **A1**