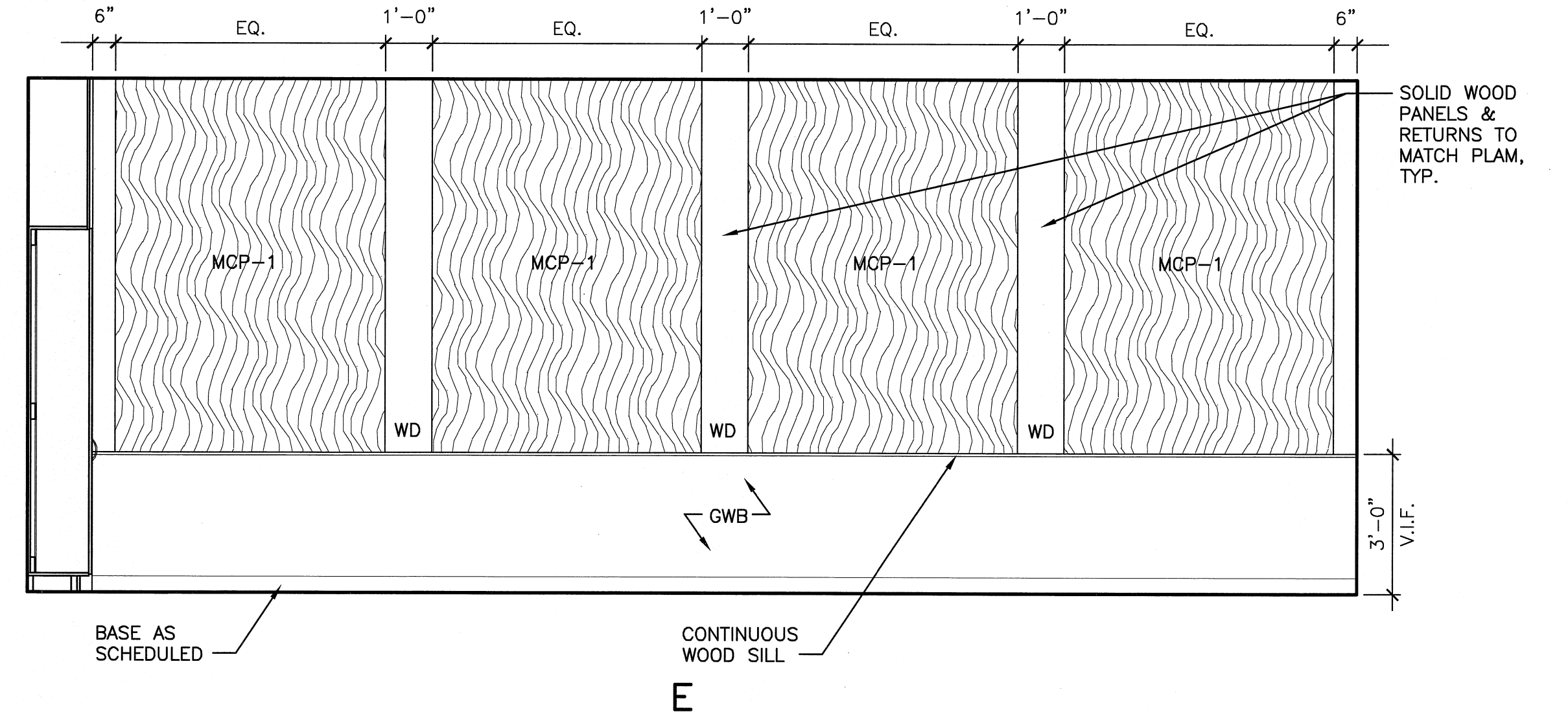
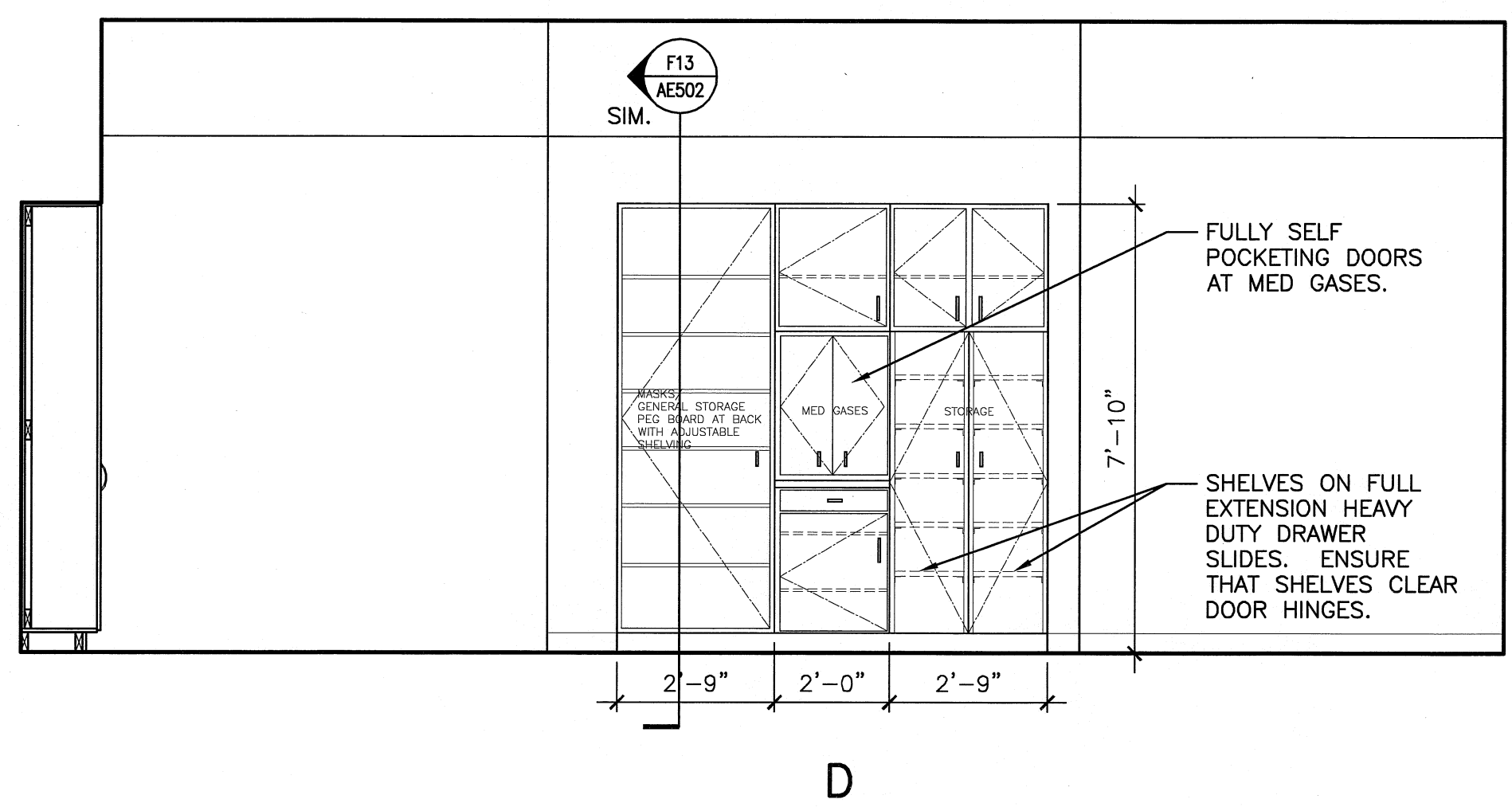
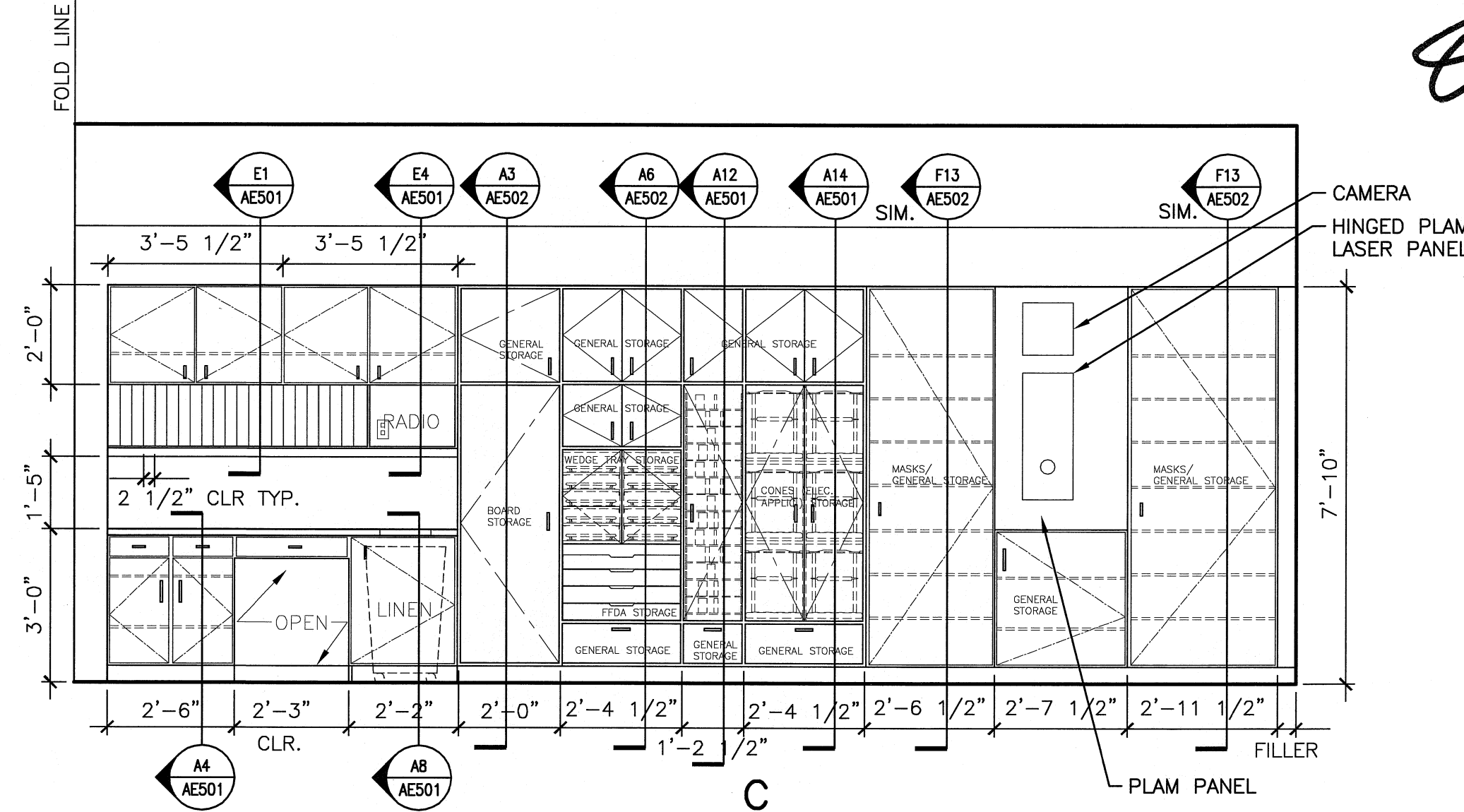
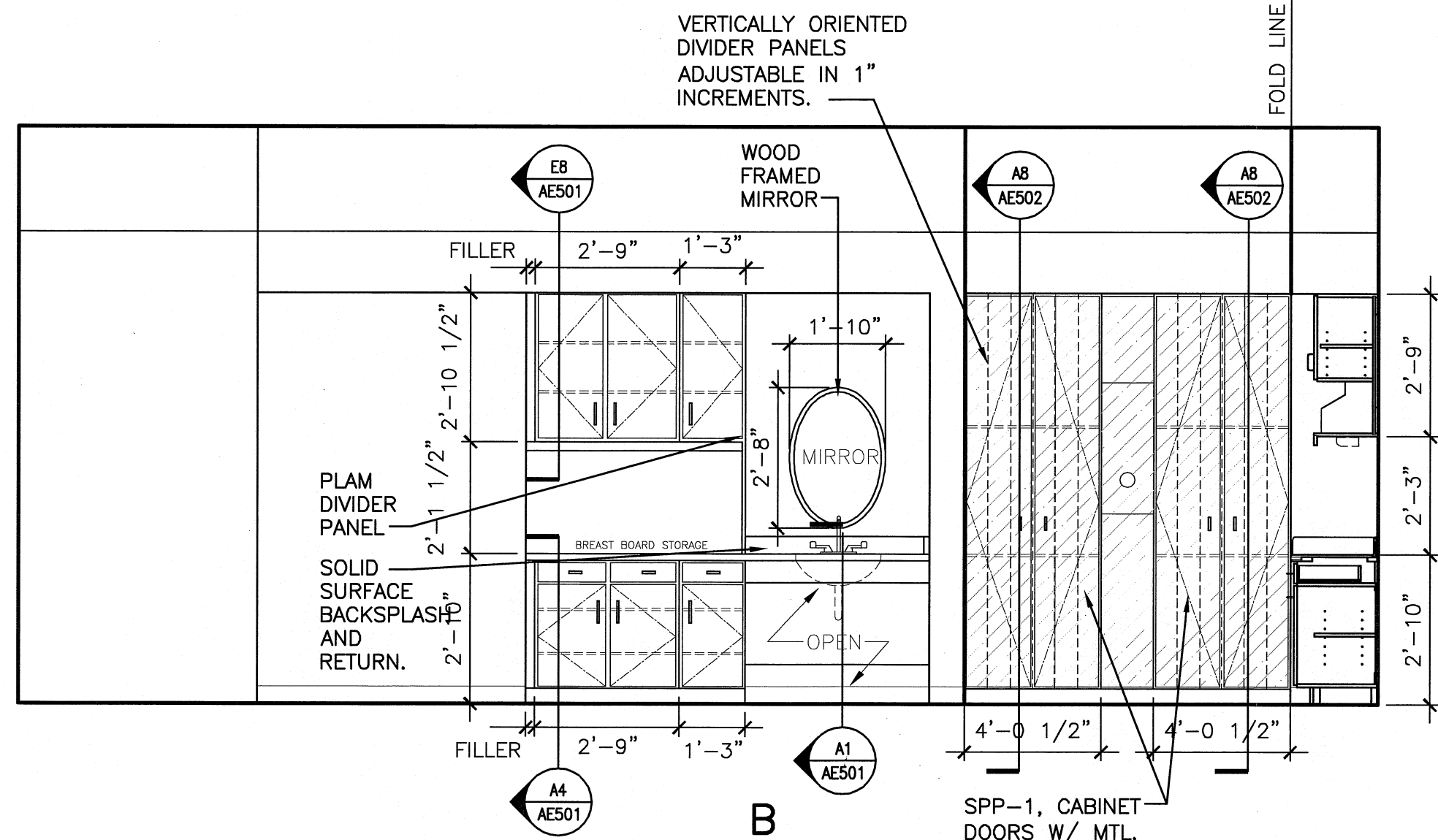
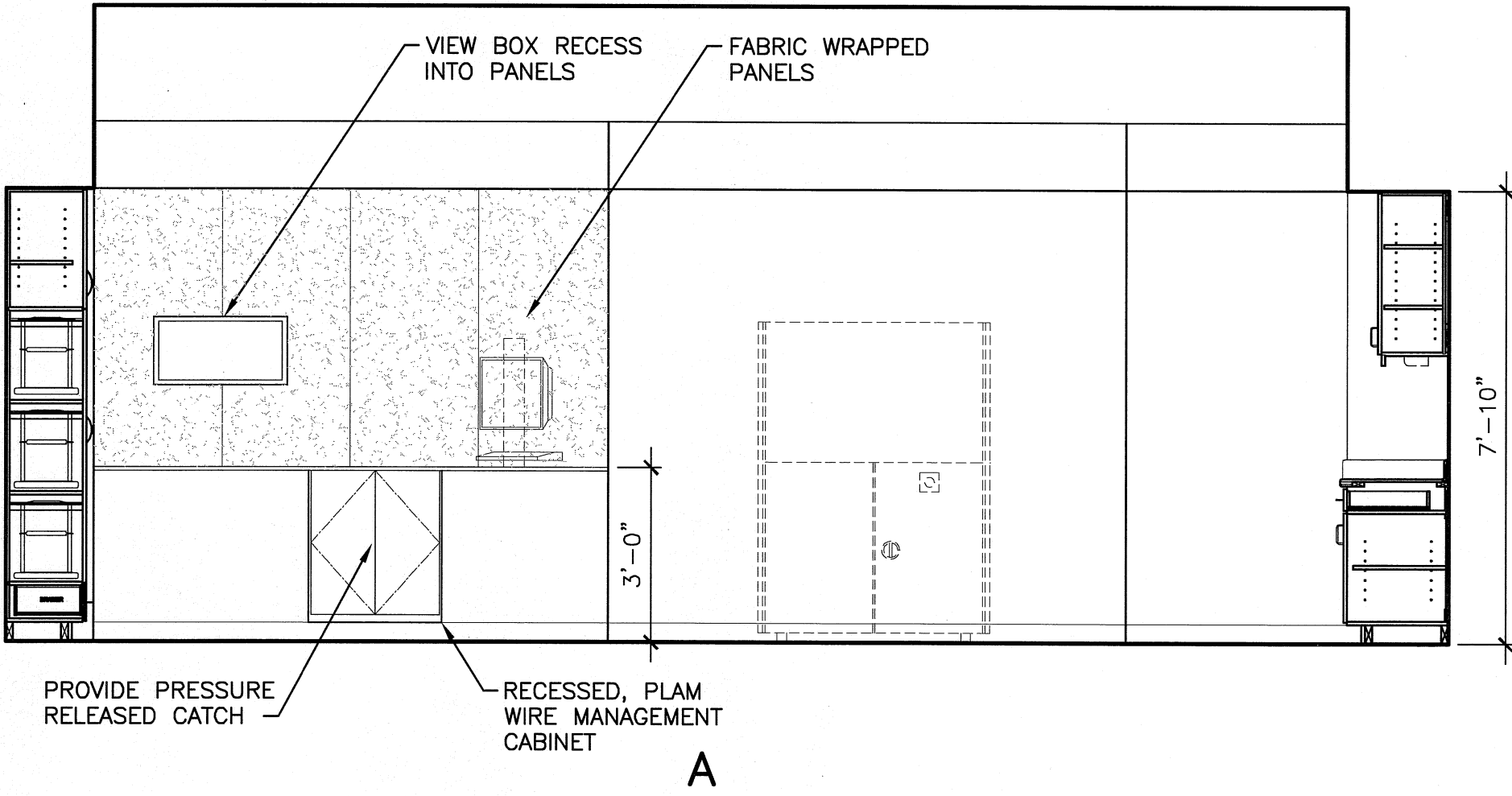


J1 CONTROL ROOM

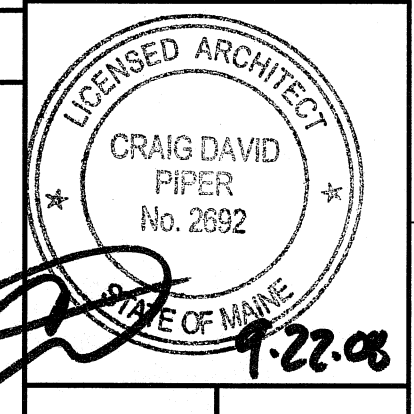
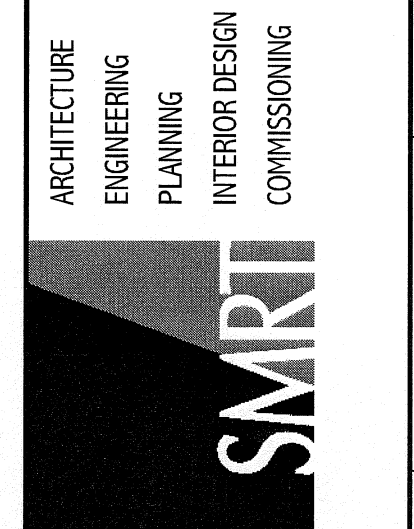
3/8"=1'-0" *



A1 LINAC

3/8"=1'-0" *

144 Fore Street, P.O. Box 618
Portland, Maine 04104
Tel: (207) 772-3846
Fax: (207) 772-1870
www.smrtinc.com



MAINE MEDICAL CENTER
LINAC REPLACEMENT PROJECT
22 BRANFILL ST PORTLAND, MAINE

ISSUED FOR CONSTRUCTION
9-19-08

CURRENT ISSUE STATUS:

REV	DATE	DESCRIPTION
0	9-19-08	ISSUED FOR CONSTRUCTION

GRAPHIC SCALE:
0" 1"

SCALE: 1/4"=1'-0"

PROJECT MANAGER: CDP
 JC/DRAWN BY: MDR
 A/E OF RECORD: CDP
 CAD FILE: AE210-08134
 PROJECT NO: 08134
 DATE: 9-19-08
 SHEET TITLE:
 INTERIOR ELEVATIONS

SHEET No.
AE210